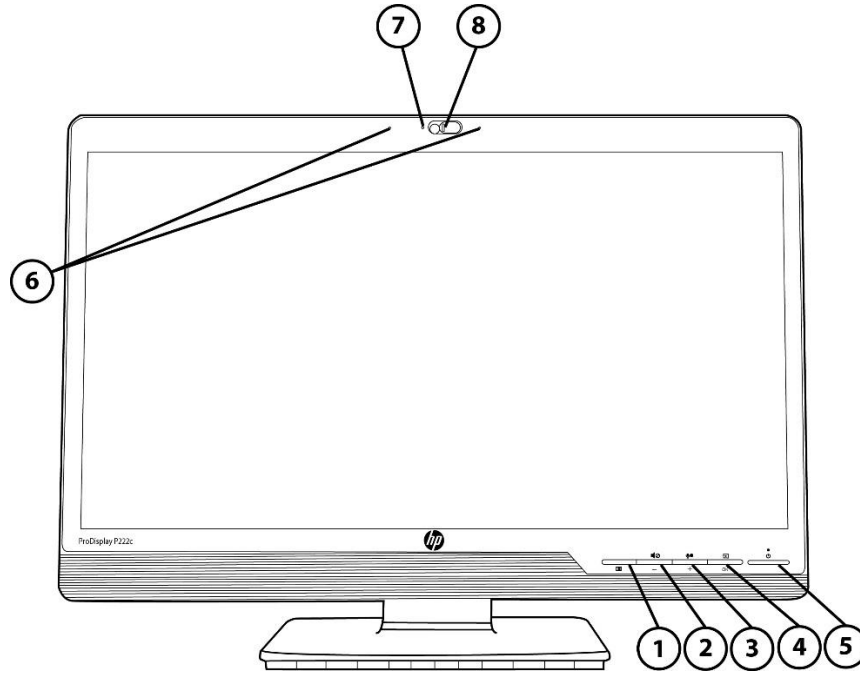
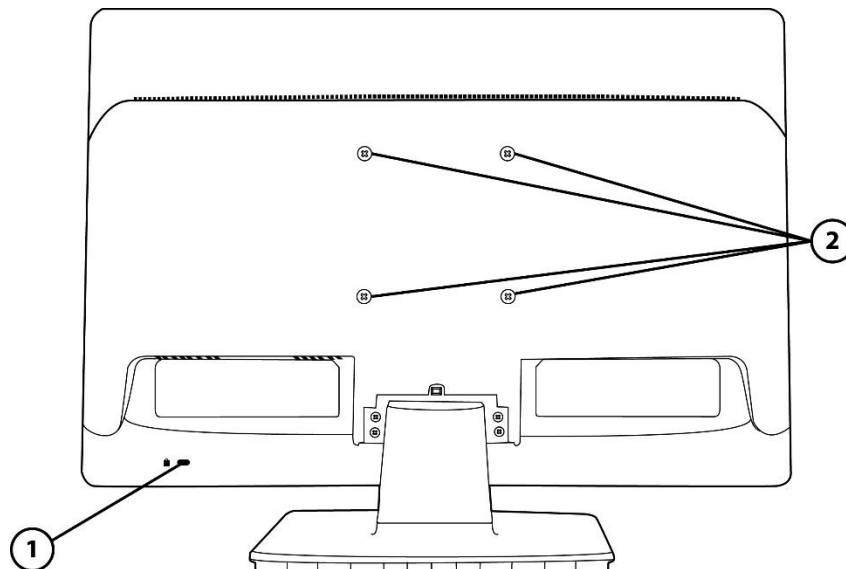


Technical Specifications

HP ProDisplay P222c 21.5-inch Video Conferencing Monitor

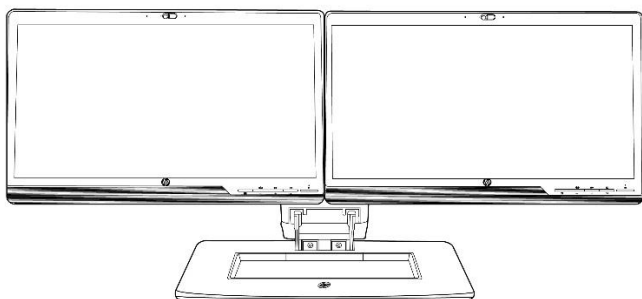


- | | |
|--|---------------------------|
| 1. Menu button | 6. Microphones |
| 2. Minus ("-")/Volume control/Speaker mute | 7. Webcam LED |
| 3. Plus ("+") /Microphone mute | 8. 720p Webcam with cover |
| 4. OK/Input control | |
| 5. Power button | |



- | | |
|-----------------------|------------------------|
| 1. Security lock slot | 2. VESA mounting holes |
|-----------------------|------------------------|

Technical Specifications



HP ProDisplay P222c and HP Adjustable Dual Display Stand dual monitor configuration shown. (Note: monitors and stands sold separately)

Your ideal office configuration begins with two HP ProDisplay P222c monitors combined with an HP Adjustable Dual Display Stand (AW664AA) for a small footprint, high productivity work solution.*

*NOTE: Multi-monitor support is dependent on your system. Check your user guide or technical specifications for compatibility. Optional accessories may be required.

Overview

Affordably connect and collaborate from the comfort of your desk with the HP ProDisplay P222c 21.5-inch Video Conferencing Monitor, which is Certified for Skype for Business.¹

Key features:

- Conference in real-time with an HD webcam and microphone plus digital audio that meets Microsoft specifications to be Certified for Skype for Business.¹
- See and share every detail from almost anywhere in the room on the ample 21.5-inch diagonal Full HD screen.
- Attach your HP PC or select HP Thin Client directly behind the display.²
- Use the communication-enhanced hot keys to control call¹ settings at the display.
- Connect to your accessories or add a projector or second display with convenient audio, USB, DisplayPort, and VGA connectors.
- Reduce power consumption and help lower your costs with an energy-efficient design.
- Free up valuable space with mounting options enabled by the 100-mm VESA pattern.^{3,4}
- Have a one-on-one meeting or set up a virtual conference room on the fly with HP MyRoom.⁵
- Design the screen for how you work with HP Display Assistant software.
- Get award-winning service and support by phone or online.

¹ Internet connection required and sold separately.

² Requires HP Quick Release, sold separately. See product QuickSpecs for exact PC and thin client compatibility.

³ Each accessory sold separately.

⁴ Mounting hardware sold separately.

⁵ A disc for HP MyRoom 4 Person is included and allows meetings for up to four participants for 12 months. Internet access required and sold separately. Other plans are available and sold separately. See www.myroom.hp.com/Products.

Technical Specifications

Models: L4J08AA

Panel	Type	21.5-inch VA w/LED backlight
	Viewable Image Area (diagonal)	54,61 cm (21.5-inch) widescreen; diagonally measured
	Panel Active Area (W × H)	47,6 x 26,7 cm (18.74 × 10.51 in)
	Resolution	1920 x 1080 @ 60 Hz
	Aspect Ratio	16:9
	Viewing Angle	Up to 178° horizontal/178° vertical typical
	Brightness	250 cd/m ²
	Contrast Ratio (Typical)	3000:1 Static; 5,000,000:1 Dynamic
	Response Times*	9 ms gray-to-gray
	Pixel Pitch	.24795 mm
	Pixels Per Inch (PPI)	102 DPI
	Backlight Lamp Life (to half brightness)	40,000 hours minimum
	Color Support	Up to 16.7 million colors with the use of FRC technology
	Color Gamut (Typical)	72%

* Performance specifications represent the typical specifications provided by HP's component manufacturers; actual performance may vary either higher or lower.

User Controls	Buttons or Switches	Menu, Minus ("-")/Volume control/Speaker mute, Plus ("+") /Microphone mute, OK/Input control, Power
	Languages	10 (English, Spanish, German, French, Italian, Netherlands, Portuguese, Japanese, T-Chinese and S-Chinese)
	On Screen Display (OSD) User Controls	Brightness, Contrast, Color Control, Input Control, Image Control, Audio Control, Power control, OSD control, Management, Language, Information, Exit
	User Programmable Modes	Yes, 10
	Audio Controls	Yes
Signal Interface/ Performance	Horizontal Frequency	24-80 kHz
	Vertical Frequency	50-60 Hz
	Native Resolution	1920 x 1080 @ 60 Hz
	Preset Graphic Modes (non-interlaced)	640 x 480 @ 60Hz 720 x 400 @ 70Hz 800 x 600 @ 60Hz

Technical Specifications

		1024 x 768 @ 60Hz	
		1280 x 720 @ 60Hz	
		1280 x 800 @ 60Hz	
		1280 x 1024 @ 60Hz	
		1440 x 900 @ 60Hz	
		1600 x 900 @ 60Hz	
		1680 x 1050 @ 60Hz	
		1920 x 1080 @ 60Hz	
Video/Other Inputs	Anti-Glare	Yes	
	Plug and Play	Yes	
	Input Connectors	(1) DisplayPort 1.2, (1) VGA HDCP support on DisplayPort	
	USB	(3) USB 2.0 (Two downstream and one upstream)	
	Video Cables Included	(1) DisplayPort 1,8 m (5.9 ft) (1) VGA 1,8 m (5.9 ft) (1) USB 1,8 m (5.9 ft)	
Multimedia	Audio	Analog audio line in	
	Speakers	(2) Internal 2W per channel	
	Webcam	720p integrated HD with dual microphones and LED	
Power	Power Supply	Internal	
	Input Power	100 - 240 VAC 50/60 Hz	
	Maximum Power	37 W	
	Typical Power	24 W	
	Sleep Power	0.5 W (standby)	
	Power Cable Length	1,9 m (6.2 ft)	
	Mechanical	Dimensions (W x D x H)	Unpacked w/stand
Unpacked w/o stand (head only)			50,67 x 4,92 x 34,83 cm (19.95 x 1.94 x 13.71 in)
Packaged			57,1 x 14 x 41,5 cm (22.48 x 5.51 x 16.34 in)
Weight		Head Only	3,2 kg (7.04 lb)
		Unpacked with stand	3,75 kg (8.25 lb)
		Packaged	5,2 kg (11.42 lb)
Ergonomic Features	Detachable Stand	Yes	
	Height Adjustment	N/A	
	Tilt Range	-5° to + 22° vertical	
	Swivel	N/A	
	Pivot	N/A	

Technical Specifications

Environmental	Temperature - Operating	5° to 35° C (41° to 95° F)
	Temperature - Non-operating	-20° to 60° C (-4° to 140° F)
	Humidity - Operating	20% to 80% non-condensing
	Humidity - Non-operating	5% to 95%, 38.7° C max wet-bulb
	Altitude - Operating	0 to 5,000 m (0 to 16,404 ft)
	Altitude - Non-operating	0 to 12,192 m (0 to 40,000 ft)
	White LED Backlights	Yes
	CCFL Panel	No
	Arsenic-Free Display Glass	Yes
	Low Halogen¹	Yes (except cables)
	Mercury-Free Display Backlighting	Yes

Environmental Data

Environmental Data	Eco-Label Certifications & declarations	This product has received or is in the process of being certified to the following approvals and may be labeled with one or more of these marks: <ul style="list-style-type: none"> IT ECO declaration US ENERGY STAR® TCO EPEAT® <Gold> registered in the United States. See http://www.epeat.net for registration status in your country 		
	Energy Consumption (in accordance with US ENERGY STAR® test method)	115VAC, 60Hz	230VAC, 50Hz	100VAC, 60Hz
	Normal Operation	15.59 W	15.67 W	15.68 W
	Sleep	0.61 W	0.66 W	0.6 W
	Off	0.15 W	0.19 W	0.14 W
	Heat Dissipation*	115VAC, 60Hz	230VAC, 50Hz	100VAC, 60Hz
	Normal Operation	53 BTU/hr	54 BTU/hr	54 BTU/hr
	Sleep	2 BTU/hr	2 BTU/hr	2 BTU/hr
	Off	1 BTU/hr	1 BTU/hr	0.4 BTU/hr
		*NOTE: Heat dissipation is calculated based on the measured watts, assuming the service level is attained for one hour.		
	Additional Information	<ul style="list-style-type: none"> This product is in compliance with the Restrictions of Hazardous Substances (RoHS) directive - 2002/95/EC. This HP product is designed to comply with the Waste Electrical and Electronic Equipment (WEEE) Directive – 2002/96/EC. This product is in compliance with California Proposition 65 (State of California; Safe Drinking Water and Toxic Enforcement Act of 1986). This product is in compliance with the IEEE 1680 (EPEAT) standard at the <gold> level, see www.epeat.net Plastics parts weighing over 25 grams used in the product are marked per ISO 11469 and ISO1043. This product contains 11.1% post-consumer recycled plastic (by wt.) This product is 97.8% recycle-able when properly disposed of at end of life. 		
	Packaging Materials	External:	PAPER/Corrugated	603 g
		Internal:	PLASTIC/EPS (Expanded Polystyrene)	180 g
			PLASTIC/Polyethylene low density	29 g
	RoHS Compliance	Hewlett-Packard is committed to compliance with all applicable environmental laws and regulations, including the European Union Restriction of Hazardous Substances (RoHS) Directive. HP's goal is to exceed compliance obligations by meeting the requirements of the RoHS Directive on a worldwide basis. By July 1, 2006, RoHS substances will be virtually eliminated (virtually = to levels below legal limits) for all HP electronic products subject to the RoHS Directive, except where it is widely recognized that there is no technically feasible alternative (as indicated by an exemption under the EU RoHS Directive).		

Environmental Data

	<p>Material Usage</p>	<p>This product does not contain any of the following substances in excess of regulatory limits (refer to the HP General Specification for the Environment at http://www.hp.com/hpinfo/globalcitizenship/environment/pdf/qse.pdf):</p> <ul style="list-style-type: none"> • Asbestos • Certain Azo Colorants • Certain Brominated Flame Retardants – may not be used as flame retardants in plastics • Cadmium • Chlorinated Hydrocarbons • Chlorinated Paraffins • Formaldehyde • Halogenated Diphenyl Methanes • Lead carbonates and sulfates • Lead and Lead compounds • Mercuric Oxide Batteries • Nickel – finishes must not be used on the external surface designed to be frequently handled or carried by the user. • Ozone Depleting Substances • Polybrominated Biphenyls (PBBs) • Polybrominated Biphenyl Ethers (PBBEs) • Polybrominated Biphenyl Oxides (PBBOs) • Polychlorinated Biphenyl (PCB) • Polychlorinated Terphenyls (PCT) • Polyvinyl Chloride (PVC) – except for wires and cables, and certain retail packaging has been voluntarily removed from most applications. • Radioactive Substances • Tributyl Tin (TBT), Triphenyl Tin (TPT), Tributyl Tin Oxide (TBTO)
	<p>Packaging</p>	<p>HP follows these guidelines to decrease the environmental impact of product packaging:</p> <ul style="list-style-type: none"> • Eliminate the use of heavy metals such as lead, chromium, mercury and cadmium in packaging materials. • Eliminate the use of ozone-depleting substances (ODS) in packaging materials. • Design packaging materials for ease of disassembly. • Maximize the use of post-consumer recycled content materials in packaging materials. • Use readily recyclable packaging materials such as paper and corrugated materials. • Reduce size and weight of packages to improve transportation fuel efficiency. • Plastic packaging materials are marked according to ISO 11469 and DIN 6120 standards.
	<p>End-of-life Management and Recycling</p>	<p>Hewlett-Packard offers end-of-life HP product return and recycling programs in many geographic areas. To recycle your product, please go to: http://www.hp.com/go/reuse-recycle or contact your nearest HP sales office. Products returned to HP will be recycled, recovered or disposed of in a responsible manner.</p> <p>The EU WEEE directive (2002/95/EC) requires manufacturers to provide treatment information for each product type for use by treatment facilities. This</p>

Environmental Data

		information (product disassembly instructions) is posted on the Hewlett Packard web site at: http://www.hp.com/go/recyclers . These instructions may be used by recyclers and other WEEE treatment facilities as well as HP OEM customers who integrate and re-sell HP equipment.
	Hewlett-Packard Corporate Environmental Information	For more information about HP's commitment to the environment: Global Citizenship Report http://www.hp.com/hpinfo/globalcitizenship/gcreport/index.html Eco-label certifications http://www.hp.com/hpinfo/globalcitizenship/environment/productdesign/ecolabels.html ISO 14001 certificates: http://www.hp.com/hpinfo/globalcitizenship/environment/operations/envmanagement.html

Environmental Data

Options	HP LCD Monitor Quick Release — Part number EM870AA ⁴	An easy-to-use, VESA-compliant, LCD monitor mounting solution that allows you to quickly and securely attach an LCD monitor to a variety of stands, brackets, arms or wall mounts. For more information, refer to this product's QuickSpecs document.
	HP Adjustable Dual Display Stand —Part Number AW664AA	Premium space-saving dual screen solution provides access to more monitor real estate and makes it possible to manage multiple applications simultaneously. Weight adjustable for dual monitors from 17-24". Rotate displays into portrait/landscape positions.
	HP Single Monitor Arm —Part number BT861AA	The flexible design of the HP Single Monitor Arm provides a seemingly endless range of display adjustments with an amazing 13 inches of lift, 75 degrees of tilt, and 360 degrees of pan and rotation – all at your fingertips -- helping you stay comfortable and productive throughout the day.
	HP Dual Output USB Graphics Adapter – Part Number C5U89AA	You can boost your productivity by creating a dual-monitor setup with the HP Dual Output USB Graphics Adapter – featuring both DVI-I and DisplayPort inputs to drive displays at high resolutions through a single USB 3.0 connection to your PC.
	HP USB Graphics Adapter —Part number NL571AA	Enables connection of up to six simultaneous displays to help you boost productivity and multi-task across several open applications. Use one Adapter to bridge between a notebook or desktop PC and second monitor or use multiple Adapters to connect several displays to each other.
	HP Business PC Security Lock Kit — Part number PV606AA	Attaches to the rear of the PC with a six-foot steel cable that can be used to secure a PC or peripherals such as mice, keyboards, monitors or USB security devices to protect them against unauthorized removal by physically connecting the system to an anchor point.
What's in the box?	Monitor and Accessories	HP ProDisplay P222c 21.5-inch Video Conferencing Monitor, AC power cord 6.2 ft (1,9m), DisplayPort cable 5.9 ft (1,8m), VGA cable (5.9 ft (1,8m), USB cable 5.9 ft (1,8m)
	Documentation	CD (includes user guide, warranty, drivers)
	Software	HP Display Assistant, HP MyRoom
Other	User Guide Languages	English, French, Brazilian Portuguese, Spanish.
	Warranty Languages	English, French, Brazilian Portuguese, Spanish.
	Color	Black
	VESA Mounting	100 mm VESA mount
	Security Lock-Ready	Yes
	Country of Origin	China
Certification and Compliance	TCO Certified, CEL Grade 1, Microsoft WHQL Certification (Windows 8.1 and Windows 7), ENERGY STAR® Qualified, EPEAT® Gold ² , CE, CB, KC, KCC, NOM, PSB, ICE, TUV-S, ISO 9241-307, EAC, UL, CSA, PSB, ISC, CCC, CECP, SEPA, ISC, VCCI, FCC, SMI, Vietnam MEPS, Australian-New Zealand MEPS, WEEE	
Compatibility	Compatible with platforms using the VESA standard video modes. Recommended for use with HP products.	

Environmental Data

Service and Warranty Protected by HP, including a 3 year standard limited warranty. Optional HP Care Pack Services are extended service contracts that extend your protection beyond the standard warranties.³

© Copyright 2015 Hewlett-Packard Development Company, L.P.

ENERGY STAR is a registered mark owned by the U.S. government. All specifications represent the typical specifications provided by HP's component manufacturers; actual performance may vary either higher or lower. The only warranties for HP products and services are set forth in the express warranty statements accompanying such products and services. Nothing herein should be construed as constituting an additional warranty. HP shall not be liable for technical or editorial errors or omissions contained herein.

1. External power supplies, power cords, cables and peripherals are not Low Halogen. Service parts obtained after purchase may not be Low Halogen.
2. EPEAT® Gold where HP registers commercial display products. See www.epeat.net for registration status in your country.
3. Service levels and response times for HP Care Pack Services may vary depending on your geographic location. Service starts from date of hardware purchase. Restrictions and limitations apply. See www.hp.com/go/cpc for details.
4. The HP Quick Release has been designed to support a maximum of up to 24 lbs (10.9 kg) for all devices mounted. Because mounting surfaces vary widely and the final mounting method and configuration may vary, mounting fasteners are not supplied (other than the VESA-compliant screws). HP recommends that you consult with a qualified engineering, architectural or construction professional to determine the appropriate type and quantity of mounting fasteners required for your application and to ensure that your mounting solution is properly installed to support applied loads

