



## *Electric Pressure Washer*

OWNER'S MANUAL

MODEL NO.

**EPW2000**

# Congratulations on your purchase of an All Power™ EPW2000 Pressure Washer!

All Power™ designs and builds pressure washers with the consumer in mind. With proper use and maintenance, this pressure washer will bring years of service. This 'Owner's Manual' will provide you with a good basic understanding of the operation and maintenance of this machine. **Every effort has been made to ensure the accuracy and completeness of the information in this package. We reserve the right to change, alter and/or improve the product and this document at any time without prior notice.**

#### Copyright and Compliance Statements

© 2014, Jiang Dong North America and All -Power America are copy written by Chong Qing Dajiang Power Equipment Co. Ltd.  
UNITED STATES ENVIRONMENTAL PROTECTION AGENCY, WASHINGTON, DC 20460

#### 2014 Model Year Certificate of Conformity:

Manufacturer: Chong Qing Dajiang Power Equipment Co. Ltd.  
Certificate Number: CDP-NR51-06-02  
Effective Date: 12/30/2014  
Date Issued: 12/30/2014

Merylin Zaw-Mon, Director, Compliance and Innovation Strategies Division, Office of Transportation and Air Quality.

Pursuant to Section 213 of Clean Air Act (42 U.S.C. Section 7547) and 40 CFR 90, and subject to the terms and conditions prescribed in those provisions, this certificate of conformity is hereby issued for the following small non-road engine family, more fully described in the documentation required by 40 CFR 90 and produced in the stated model year.

This certificate of conformity covers only those new small non-road engines which conform in all material respects to the design specifications described in the documentation required by 40 CFR 90 and which are produced during the model year stated on this certificate.

This certificate of conformity does not cover small non-road engines imported prior to the

effective date of the certificate. SMALL NON-ROAD ENGINE FAMILY: 6CDPS

This certificate of conformity is conditional upon compliance of said manufacturer with the averaging, banking, and trading provisions of 40 CFR Part 90, Subpart C both during and after model year production. Failure to comply with these provisions may render this certificate void ab initio. The HC + NOX family emission limit (FEL) is: g/kW-hr.

It is a term of this certificate that the manufacturer shall consent to all inspections described in 40 CFR 90.126 and 90.506 and authorized in a warrant or court order. Failure to comply with the requirements of such a warrant or court order may lead to revocation or suspension of this certificate for reasons specified in 40 CFR 90. It is also a term of this certificate that this certificate may be revoked or suspended or rendered void ab initio for other reasons specified in 40 CFR 90.

This certificate does not cover small non-road engines sold, offered for sale, or introduced, or delivered for introduction, into commerce in the U.S. prior to the effective date of the certificate.

**WARNING! PLEASE READ AND UNDERSTAND ALL SAFETY PRECAUTIONS IN THIS MANUAL BEFORE OPERATING. FAILURE TO COMPLY WITH INSTRUCTIONS IN THIS MANUAL COULD RESULT IN PERSONAL INJURY, PROPERTY DAMAGE, AND/OR VOIDING OF YOUR WARRANTY. ALL POWER AMERICA WILL NOT BE LIABLE FOR ANY DAMAGE BECAUSE OF FAILURE TO FOLLOW THESE INSTRUCTIONS.**

## IMPORTANT INFORMATION

This manual contains important notations that you need to know and understand to protect YOUR SAFETY and to PREVENT EQUIPMENT PROBLEMS.



This is a safety alert symbol. This is used to alert you to potential personal injury hazard. Obey all safety messages that follow this symbol to avoid possible injury or death.

### ⚠ WARNING ⚠

A **WARNING** indicates a hazardous situation which, if not avoided, could result in death or serious injury.



A **NOTE** indicates special precautions that must be taken to avoid damage to the machine or other property.

**READ AND UNDERSTAND ALL SAFETY PRECAUTIONS IN THIS MANUAL BEFORE OPERATING. FAILURE TO COMPLY WITH INSTRUCTIONS IN THIS MANUAL COULD RESULT IN PERSONAL INJURY, PROPERTY DAMAGE, AND/OR VOIDING YOUR WARRANTY. ALLPOWER™ AMERICA WILL NOT BE LIABLE FOR ANY DAMAGE DUE TO FAILURE OF COMPLYING THESE INSTRUCTIONS.**

**SAFETY INFORMATION .....4**

- GCFI ..... 4
- General Safety Precautions ..... 5
- Servicing of A Double-Insulated Appliance ..... 6
- Use of Extension Cords ..... 6
- Proper Use of The Pressure Washer ..... 6 - 7

**ASSEMBLY .....7**

- Unpacking The Carton ..... 7
- Assembly Instructions..... 8

**OPERATING INSTRUCTIONS.....9**

- Starting Up ..... 9
- Automatic On/Off ..... 9
- Bleeding The Gun ..... 9
- Gun Safety Lock ..... 10
- Adjustable Spray Nozzle ..... 10
- Dispensing Detergent ..... 10
- Adjusting The Pressure..... 10
- Total Stop System..... 11
- Using Detergents ..... 11

**CLEAN-UP AND STORAGE .....12**

- Shutting Down the Pressure Washer..... 12
- Winterizing and Long-Term Storage ..... 12

**CLEANING TIPS.....13**

- Maintenance ..... 13
- Cleaning Tips..... 13
- Cement Patios, Stone and Brick..... 13
- Cars, Boats and Motorcycles..... 13
- Barbecue Grills, Power Equipment & Garden Tools .... 14

**TECHNICAL DATA .....14**

**TROUBLESHOOTING.....15 - 16**

**NOTES .....17**

**PARTS LIST .....18 - 19**

**NOTES .....20 - 21**

**CONSUMER INFORMATION .....22**

- Identification Number Records ..... 22

**LIMITED WARRANTY .....23**

Read and understand all Safety Precautions in this manual before operating. Failure to comply with instructions in this manual could result in personal injury, property damage and/or voiding of your warranty. All Power will not be liable for and damage because of failure to follow these instructions.

### Ground Fault Circuit Interrupter (GFCI)

This pressure washer is provided with a ground fault circuit interrupter (GFCI) built into the plug of the power supply cord. This device provides additional protection from the risk of electric shock. Should replacement of the plug or cord become necessary, use only identical replacement parts that include GFCI protection.

This unit is equipped with a Ground Fault Circuit Interrupter (GFCI). When connecting the GFCI to the receptacle, the indicator should appear red. If the indicator is not red, depress the RESET button on the GFCI until the indicator appears red. If the indicator does not appear red, please see Section titled "Troubleshooting" for more information.

### SAFETY GUIDELINES - DEFINITIONS

This manual contains important information that you need to know and understand in order to protect YOUR SAFETY and to PREVENT EQUIPMENT PROBLEMS. The following symbols help you recognize this information. Please read the manual and pay attention to these sections.


### SAVE THESE IMPORTANT SAFETY INSTRUCTIONS!

#### WARNING

A **WARNING** indicates a certainty or strong possibility of personal injury or death if instructions are not followed.

#### CAUTION

A **CAUTION** indicates a possibility of equipment damage if instructions are not followed.

 A **NOTE** indicates helpful information.

#### WARNING

IMPROPER OPERATION OR MAINTENANCE OF THIS PRODUCT COULD RESULT IN SERIOUS INJURY AND PROPERTY DAMAGE. READ AND UNDERSTAND ALL WARNINGS AND OPERATING INSTRUCTIONS BEFORE USING THIS EQUIPMENT. WHEN USING AIR TOOLS, BASIC SAFETY PRECAUTIONS SHOULD ALWAYS BE FOLLOWED TO REDUCE THE RISK OF PERSONAL INJURY.

### IMPORTANT SAFETY TIPS

- **Never** point the high-pressure nozzle at people or animals.
- **Never** drink alcohol or use drugs while operating the pressure washer.
- **Never** operate the pressure washer while standing in water.
- **Never** touch the electrical plug with wet hands.
- **Never** let electrical connections rest in water.
- **Never** operate pressure washer without the water turned on.
- **Never** use hot water with this pressure washer.

**IMPORTANT SAFETY PRECAUTIONS****▲ WARNING ▲**

**DUST FROM POWER SANDING, SAWING, GRINDING, DRILLING, AND OTHER CONSTRUCTION ACTIVITIES CONTAIN CHEMICALS KNOWN TO THE STATE OF CALIFORNIA TO CAUSE CANCER, BIRTH DEFECTS OR OTHER REPRODUCTIVE HARM.**

1. Read all instructions before using the product. Save all safety instructions.
2. Do not operate the pressure washer when fatigued or under the influence of alcohol or drugs.
3. Risk of injection or injury – do not direct the high pressure water stream at any people or animals.
4. Do not allow children to operate the pressure washer at any time.
5. To reduce the risk of injury, close supervision is necessary when the pressure washer is used near children.
6. Know how to stop the unit and reduce pressure immediately. Be completely familiar with the controls.
7. Stay alert – always be aware of where you are directing the high pressure spray.
8. Keep cleaning area clear of all people.
9. Keep good footing and balance at all times – do not overreach or stand on an unstable support.
10. The work area should have adequate drainage to reduce the possibility of a fall due to slippery surfaces.
11. Follow the maintenance instructions specified in the manual.
12. To reduce the risk of electrocution, keep all connections dry and off the ground. Do not touch plug with wet hands.


**General Safety Precautions**

1. Intended for outdoor household use only.
2. High-pressure hose can develop leaks from wear, abuse, kinking etc. Do not use a damaged hose.
3. Do not use the pressure washer in areas near combustible materials, combustible fumes, or dust.
4. Some chemicals or detergents may be harmful if inhaled or ingested causing severe injury. Use a respirator or mask whenever there is a chance that vapors may be inhaled. Read all instructions included with the mask so you are certain the mask will provide the necessary protection against inhaling harmful vapors.
5. Before starting the pressure washer in cold weather, check all of the parts of the equipment and be sure that ice has not formed. Do not store the unit anywhere that the temperature will fall below 0° C (32° F).

6. DO NOT MAKE ANY MODIFICATIONS TO ANY OF THE COMPONENTS! Units with broken or missing parts, or without the protective housing or covers should NEVER be operated
7. Keep the high-pressure hose connected to the pressure washer and the spray gun while the system is pressurized. Disconnecting the hose while the unit is pressurized is dangerous, and may cause injury.
8. Do not leave the pressure washer unattended while the power switch is ON.
9. Keep water spray away from electrical wiring or fatal electric shock may result.

### Servicing of A Double-Insulated Appliance

In a double-insulated product, two systems of insulation are provided instead of grounding. No means of grounding is provided on a double-insulated product, nor should a means for grounding be added to the product. Servicing a double-insulated product requires extreme care and knowledge of the system,

and should be done only by qualified service personnel. Replacement parts for a double-insulated product must be identical to the parts they replace. A double-insulated product is marked with the words "DOUBLE INSULATION" or "DOUBLE INSULATED". This symbol  may also be marked on the product.

### Use of Extension Cords

Use of an extension cord with this product is NOT RECOMMENDED. If you must use an extension cord, use only extension cords that are intended for outdoor use. These cords are identified by a marking "ACCEPTABLE FOR USE WITH OUTDOOR APPLIANCES, STORE INDOORS WHILE NOT IN USE." Use only extension cords having an electrical rating not less than the rating of the product. Examine extension cord before use. Do not use damaged extension cords! Do not pull on cord to disconnect from receptacle, always disconnect by pulling on plug. Keep cord away from heat and sharp edges. Always disconnect the extension cord from the receptacle before

disconnecting the product from the extension cord.

### **⚠ WARNING ⚠**

**To reduce the risk of electrocution, keep all connections dry and off the ground. Do not touch the plug with wet hands.**

### Proper Use of The Pressure Washer

Use of an extension cord with this product is NOT RECOMMENDED. If you must use an extension cord, use only extension cords that are intended for outdoor use. These cords are identified by a marking "ACCEPTABLE

**ⓘ NOTE: THIS UNIT IS INTENDED FOR USE WITH COLD WATER ONLY! DO NOT USE HOT WATER IN THIS PRESSURE WASHER.**

1. Operate the pressure washer at no more than the fluid pressure rated for the pressure washer. Never run the pressure washer without a water supply. Running the unit without a water supply will cause irreparable damage to the unit.

### Proper Use of The Pressure Washer (cont'd)

2. Make sure that the water supply you use for the pressure washer is not dirty, sandy, and does not hold any corrosive chemical products. Using a dirty water supply will compromise the long life of the pressure washer.

#### ⚠ CAUTION ⚠

The pressure washer can be used for a variety of applications including washing cars, boats, patios, decks, garages etc. where high pressure is necessary to remove dirt and debris. High-pressure water flow can damage the work surface if not used properly! See the section titled "Operation" for more details. Always test the spray in an open area first.

3. NEVER move the unit by pulling on the high pressure hose. Use the handle provided on the top of the unit.
4. Always hold the high pressure gun and wand with two hands. Keep one hand on the gun/trigger, while supporting the wand with the other hand.

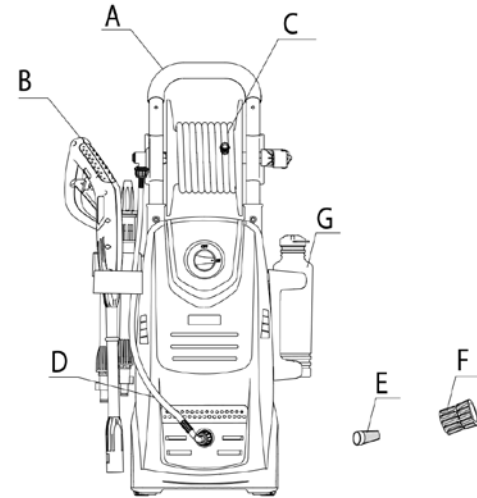
5. When dispensing detergent, the pressure washer applies detergent to the cleaning area at low pressure only. Once the detergent has been applied, spray the detergent off of the work area by using the adjustable nozzle.

### ASSEMBLY INSTRUCTIONS (Fig 1)

#### Unpacking The Carton

After opening the carton, please remove all parts and check them against the following list of components that are included:

- A. High Pressure Washer
- B. Gun
- C. High Pressure Hose
- D. Adjustable Nozzle
- E. Brass Connector
- F. Water Intake Filter (Pre-Installed)
- G. Detergent Bottle



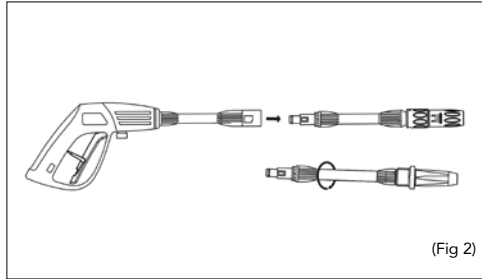
(Fig 1)

**ASSEMBLY INSTRUCTIONS (cont'd)**

To assemble the enclosed parts, please refer to the steps that follow:

**Step 1** (Fig 2)

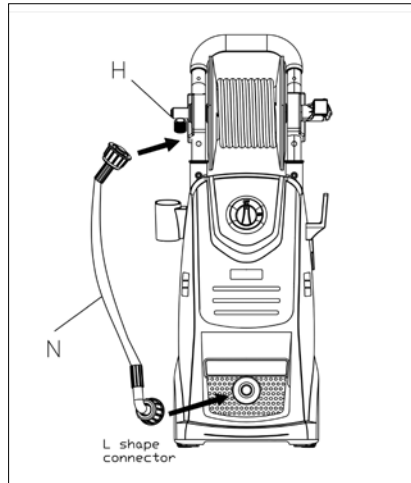
Insert the adjustable spray nozzle into the gun. Push and turn the adjustable nozzle clockwise onto the gun until hand tight to lock it in place. When the pieces are joined properly, you cannot separate the two components by pulling straight out on the adjustable nozzle. All attachments must be inserted into the gun for proper use.



(Fig 2)

**Step 2** (Fig 3)

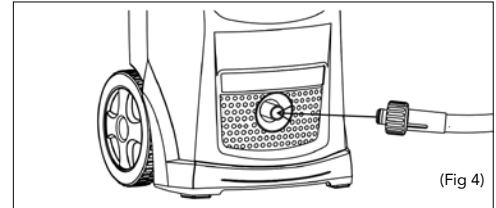
Attach the L-shape coupler end of the extension hose (N) into the water outlet and the other end into the hose reel (H).



(Fig 3)

**Step 3** (Fig 4)

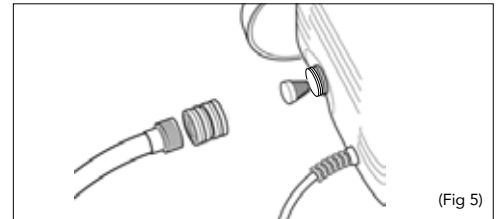
Fasten the high pressure hose tightly onto the gun assembly and tighten to avoid leakage.



(Fig 4)

**Step 4** (Fig 5)

Attach the hose connector to pressure washer. Before attaching the connector to the male fitting, remove the plastic cap, which is inserted onto the male fitting on the pressure washer before shipping. This plastic cap can be discarded once removed. After both components have been installed, attach the garden hose with connector screw on the pressure washer. Connect the garden hose to the waterspout.



(Fig 5)

## OPERATING INSTRUCTIONS

- 1 NOTE: THIS UNIT IS INTENDED FOR USE WITH COLD WATER ONLY! DO NOT USE HOT WATER IN THIS PRESSURE WASHER.**

### Bleeding The Gun

It is very important to bleed all the air out of the pressure washer before using it. To do this:

1. Release trigger lock.
2. Squeeze the trigger before turning the electrical supply on. This removes any air trapped inside the pressure washer and lance before using the units.
3. Continue holding trigger for approximately one minute to allow any excess air out of the unit. Water will flow through the gun at low pressure during this procedure.
4. Lock the trigger.
5. Plug the mains power cable into the electricity supply.
6. Release the trigger lock.
7. Turn the ON/OFF switch clockwise to the I/ON position. The pressure washer is ready to using now.

### Starting Up

After connecting the pressure washer to your cold water supply, proceed as follows:

- Make sure that the ON/OFF switch is in the OFF position.
- Connect the garden hose with quick connect to the inlet fitting.
- Attach the hose to the gun.
- Insert the adjustable spray nozzle into the gun.
- Connect the high pressure hose to the high pressure outlet fitting.
- Open the water supply valve completely.
- Before turning the unit on, press the gun trigger to bleed all the remaining air out of the pump and hose.
- Start the pressure washer by turning the on/off switch to the on position and squeeze the trigger.

REMINDER: Motor does not run continuously, only when the trigger is squeezed.

### ⚠ WARNING ⚠

**RISK OF INJECTION!** Unit will start spraying when trigger is squeezed. When turning the unit off after use, high pressure still exists inside the hose and unit. Point the gun in a safe direction and discharge the excess pressure. NEVER direct the high pressure water stream at people or animals.

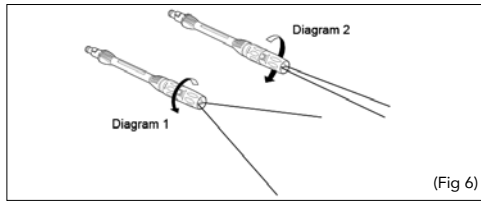
### Automatic On / Off

The pressure washer is equipped with an automatic ON/OFF switch. The pressure washer will only run when the power switch is in the ON position and the trigger on the gun is squeezed. When you release the trigger to stop spraying water through the gun, the motor on the pressure washer will automatically shut off. Simply squeeze the trigger again to resume using the washer. To stop using the pressure washer, release the trigger and switch the unit to the OFF position. The unit should be turned completely OFF while not in use or while unattended.

### Gun Safety Lock

This pressure washer is equipped with a gun trigger safety lock. When not using the pressure washer, use the safety lock to keep from accidentally engaging the high pressure spray.

### Adjustable Spray Nozzle (Fig 6)



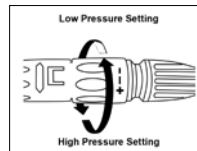
(Fig 6)

The adjustable nozzle will allow you to use a variety of spray patterns from a full fan spray to a direct stream spray (Diagram 2). When using the pressure washer to clean wood decks, siding, vehicles etc., always start using the fan spray and begin spraying from a minimum 36" away to avoid damaging the surface of the material you are cleaning. Always begin by spraying in a testing area free and clear of people and objects.

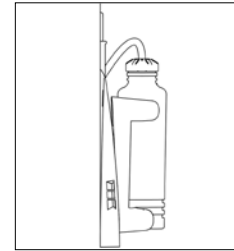
### Dispensing Detergent (Fig 7)

The built-in detergent dispenser will allow you to apply many forms of liquid detergent onto the work surface. Detergent application happens at low-pressure only. Insert the adjustable nozzle onto the gun, and turn it to end of " - " so that the pressure washer is in low-pressure mode (see Figure 7). Remove the cap on the detergent reservoir and fill with liquid detergent only (see Figure B). Do not put any water into the reservoir. The pressure washer will mix water and detergent automatically.

When finished applying the detergent to the work surface, turn the adjustable nozzle to end of " + " and spray off the detergent by using the high-pressure spray. In high-pressure mode, the pressure washer will not dispense detergent.



(Fig 7)

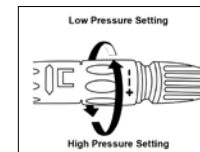


(Fig B)

### Adjusting The Pressure (Fig 8)

To adjust the pressure, proceed as follows:

1. Hold the shaft of the lance in one hand.
2. Turn the gray part of the nozzle clockwise (to "+" end) to obtain the high pressure.
3. Turn the gray part of the nozzle counterclockwise (to "-" end) to obtain the low pressure.



(Fig 8)

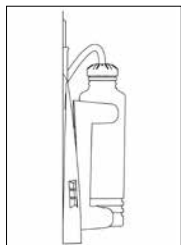
### Total Stop System

The pressure washer is fitted with a total stop system to protect the motor when in use.

When the trigger is released the motor will stop. When the trigger is squeezed the motor will start up again.

### Using Detergents

Biodegradable detergents are specifically formulated to protect the environment and your pressure washer. These Detergents will not clog the filter and will protect the internal parts of the pressure washer for a longer life.



(Fig 9)

#### Step 1 (Fig 9)

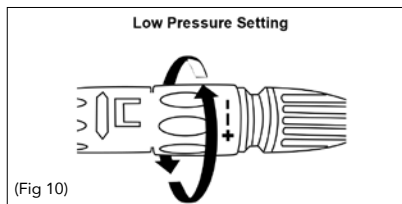
Open the cover of the detergent bottle by twisting it off.

#### Step 2 (Fig 9)

Fill the detergent bottle with any approved liquid detergent. Close the cover.

#### Step 3 (Fig 10)

Turn the adjustable nozzle to end of " - ", put the pressure washer into low-pressure mode.



(Fig 10)

#### Step 4

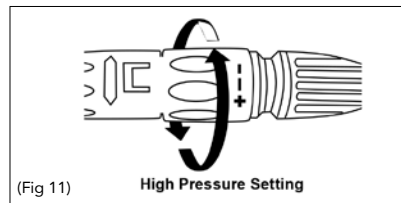
To apply the detergent cleanser to your working area, turn the pressure washer switch to the ON position. Pull the trigger to operate the unit. The pressure washer will mix the detergent with water. Do not allow the detergent to dry on the object that you are cleaning.

**⚠ WARNING ⚠**

**NEVER USE PRODUCTS WITH BLEACH OR CHLORINE OR ANY OTHER CORROSIVE MATERIALS, INCLUDING LIQUIDS CONTAINING SOLVENTS (I.E. GAS, OILS ETC), TRI-SODIUM PHOSPHATE PRODUCTS, AMMONIA, OR ACID-BASED CLEANERS. THESE CHEMICALS WILL HARM THE UNIT AND CAUSE DAMAGE TO THE SURFACE BEING CLEANED. ALWAYS READ THE LABEL.**

#### Step 5

To clean the working area, turn the adjustable nozzle to end of " + ", return it to high-pressure mode. Spray high-pressure water onto the work area to rinse off the work area and any remaining detergent.



(Fig 11)

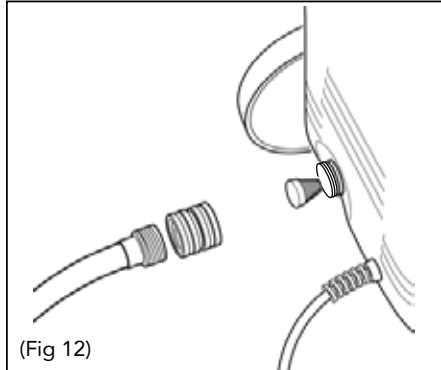
High Pressure Setting

## Shutting Down the Pressure Washer

*When Finished Using The Pressure Washer, Follow These Steps To Shut Down The Unit:*

- Turn the pressure washer to the OFF position.
- Turn off the water supply.
- Before disconnecting high-pressure hose connection, point the gun in a safe direction and discharge the high-pressure water.
- Disconnect high-pressure hose from the pressure washer and gun.
- Disconnect garden hose from the pressure washer.
- Remove excess water from the pump by tipping the unit on both sides to drain any remaining water from inlet and outlet fittings.
- Remove Water Intake Filter and flush with water to remove dirt or debris. Return filter once cleaned.

- Drain detergent reservoir and flush with running water.
- Wipe away any remaining water on all parts and fittings.
- Engage the gun safety lock.
- Store the pressure washer, parts, and accessories in an area with a temperature above 0°C (32°F).



## Winterizing and Long-Term Storage

**FOLLOW ALL OF THE ABOVE SHUT-DOWN PROCEDURES, ADDING THE FOLLOWING STEPS....**

- After disconnecting the water supply, and before disconnecting the high-pressure hose, turn the pressure washer on for 2-3 seconds, until any remaining water in the pump exits. Turn unit off immediately.

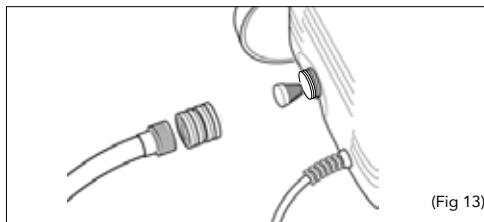
**CONTINUED USE OF THE PRESSURE WASHER WITHOUT WATER SUPPLY ATTACHED WILL CAUSE SEVERE DAMAGE TO THE UNIT!**

- Always store the pressure washer, parts, and accessories in an area with a temperature above 0° C (32° F).

**▲ WARNING ▲**  
**Failure to comply with these storage instructions will result in damage to the pump assembly.**

## MAINTENANCE

- This pressure washer is supplied with a closed lubrication system, so no addition of oil is needed.
- Check all hoses and accessories for damage prior to use.
- Check the water intake filter periodically for deposits. Clean this filter regularly for maximum performance.



### ⚠ WARNING ⚠

Always test the spray in an area free and clear of people and objects before you spray at the intended cleaning surface.

## CLEANING TIPS

### Wood and Vinyl Decks

Rinse deck and surrounding area with fresh water. If using detergent, fill the detergent reservoir and apply to the area being cleaned at low pressure. For optimal results, reduce your work area to smaller sections and clean each section one at a time. Allow the detergent to rest on the surface for a few minutes and then rinse at high pressure.

Do not let the cleanser dry. Always clean from left to right and top to bottom for best results. Rinse at high pressure using the fan spray keeping the tip of the spray nozzle at least 6-9 inches from the cleaning surface. Maintain a further distance from the cleaning area when using a direct spray.

### ⚠ CAUTION ⚠

For softer woods, increase the distance from the cleaning area.

### Cement Patios, Stone, and Brick

Rinse cleaning and surrounding area with fresh water. If using detergent, fill the detergent reservoir and apply to the area being cleaned at low pressure. Rinse at high pressure using the fan spray in a sweeping motion keeping the tip of the spray nozzle at least 3-6 inches from the cleaning surface. Maintain a further distance from the cleaning area when using a direct spray.

### Cars, Boats, and Motorcycles

Rinse cleaning and surrounding area with fresh water. If using detergent, fill the detergent reservoir and apply to the area being cleaned at low pressure. To achieve the best results, clean one side at a time. Allow the detergent to rest on the surface for a few minutes, but do not let the detergent dry. Rinse at high pressure using the fan spray in a sweeping motion keeping the tip of the spray nozzle at least 8 inches from the cleaning surface.

Maintain a further distance from the cleaning area when using a direct spray. Wipe surface dry for a polished finish.

**Barbecue Grills, Power Equipment, and Garden Tools**

Rinse cleaning and surrounding area with fresh water. If using detergent, fill the detergent reservoir and apply to the area being cleaned at low pressure. Allow the detergent to rest on the surface for a few minutes, but do not let the detergent dry.

Rinse at high pressure using the fan spray keeping the tip of the spray nozzle at least 1-3 inches from the cleaning surface. Maintain a further distance from the cleaning area when using a direct spray.

**TECHNICAL DATA**

Mains voltage:	120 V
Mains frequency :	60 Hz
Max. Operating pressure:	2000PSI
Water consumption:	1.6 GPM
Max. Pressure water supply:	40-80PSI
Max. Water temperature	40-140F(5-60°C)
Weight:	25LBS

**Guarantee**

Refer to the enclosed guarantee conditions for the terms and conditions of guarantee.

**Environment**

Should your machine need replacement after extended use, do not put it in the domestic waste but dispose of it in an environmentally safe way.

**TROUBLESHOOTING GUIDE**

The following troubleshooting guide is recommended for basic or common problems; if there's an issue with the generator that is not listed, **please call 1-888-896-6881.**

**i NOTE:** Troubleshooting problems may have similar causes and solutions.

Problem	Probable Cause	Solution
When the switch is in the "I" position the machine will not start.	Electrical socket is faulty.	Check plug, socket and fuses.
	Voltage is inadequate.	Check that the voltage is adequate.
	GFCI trips.	Reset/Try another outlet.
	Power cord is not plugged in.	Plug in power cord.
The pump does not reach adequate pressure or fluctuates.	Water Intake Filter is clogged	Remove and clean filter
	Pump is drawing air	Tighten connections/bleed system
	Suction valves are clogged/worn	Clean or replace valves
	Diameter of garden hose too small	Replace with ¾ inch garden hose
	Water supply is restricted	Check hose for kinks or leaks
Insufficient water supply	Fully open water source	
The pressure washer has or will not maintain pressure.	Excessive air in waterline and pump	Turn unit and water supply off / Bleed system / Hold trigger down

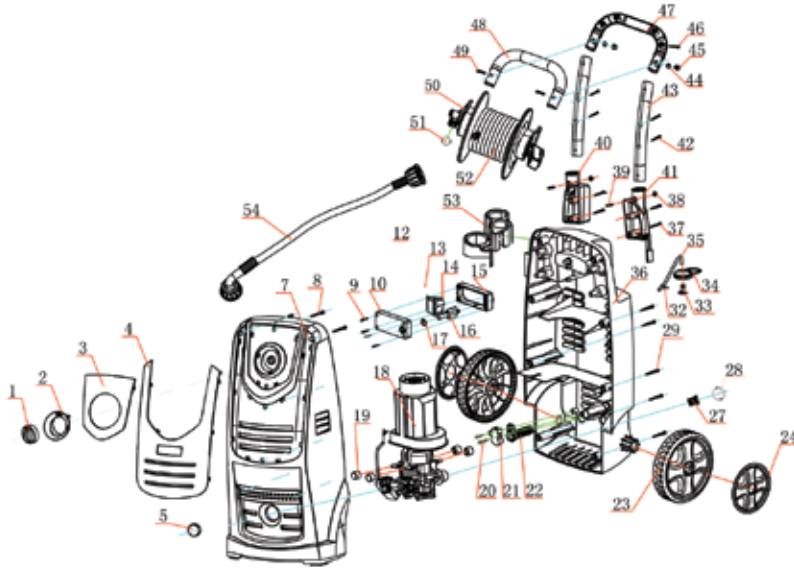
**TROUBLESHOOTING GUIDE**

The following troubleshooting guide is recommended for basic or common problems; if there's an issue with the generator that is not listed, **please call 1-888-896-6881**.

**i NOTE:** Troubleshooting problems may have similar causes and solutions.

Problem	Probable Cause	Solution
The pressure washer makes excessive noise.	Intake is blocked.	Check the intake valves.
	Valves are worn, dirty, or clogged.	Check, clean or replace valves.
	Water Intake Filter is dirty.	Check, clean, or replace filter.
The motor stops running while in use	Net voltage lower than suggested.	Check that the voltage is adequate.





APA PART #	DESCRIPTION	QTY
EPW2000-01-MT	SWITCH KNOB	1
EPW2000-02-MT	SWITCH ORNAMENT RING	1
EPW2000-03-MT	DECORATION PANEL	1
EPW2000-04-MT	MIDDLE PANEL	1
EPW2000-05-MT	OUTLET CAP	1
EPW2000-07-MT	CASE(FRONT)	1
EPW2000-08-MT	SCREW	8
EPW2000-09-MT	SCREW	4
EPW2000-10-MT	SWITCH CASE (FRONT)	1
EPW2000-14-MT	SWITCH	1
EPW2000-15-MT	SWITCH CASE (REAR)	1
EPW2000-16-MT	SWITCH STALK	1
EPW2000-17-MT	O-RING	1
EPW2000-18-MT	PUMP	1
EPW2000-19-MT	RUBBER BAND	4
EPW2000-20-MT	SCREW	2
EPW2000-21-MT	CLIP COVER	1
EPW2000-22-MT	JACKET	1
EPW2000-23-MT	WHEEL	2

APA PART #	DESCRIPTION	QTY
EPW2000-24-MT	WHEEL CAP	2
EPW2000-27-MT	INLET FILTER	1
EPW2000-28-MT	INLET CAP	8
EPW2000-29-MT	SCREW	1
EPW2000-32-MT	TUBE CLIP	1
EPW2000-33-MT	SUCTION FILTER	1
EPW2000-34-MT	BOTTLE CAPSULE	1
EPW2000-35-MT	TUBE	1
EPW2000-36-MT	CASE(REAR)	4
EPW2000-37-MT	SCREW	2
EPW2000-38-MT	NUT	2
EPW2000-39-MT	SCREW BOLT	1
EPW2000-40-MT	HANDLE FIXER (LEFT)	1
EPW2000-41-MT	HANDLE FIXER (RIGHT)	4

APA PART #	DESCRIPTION	QTY
EPW2000-42-MT	SCREW	2
EPW2000-43-MT	HANDLE	2
EPW2000-44-MT	SPRING CUSHION	2
EPW2000-45-MT	NUT	1
EPW2000-46-MT	SCREW	4
EPW2000-47-MT	HANDLE(REAR)	1
EPW2000-48-MT	HANDLE(FRONT)	4
EPW2000-49-MT	SCREW BOLT	1
EPW2000-50-MT	HOSE REEL ASSEMBLY	4
EPW2000-51-MT	CAP	1
EPW2000-52-MT	HIGH PRESSURE HOSE	4
EPW2000-53-MT	SHELVES	2
EPW2000-54-MT	SHORT HOSE	4





## CONSUMER INFORMATION

<b>MODEL NO.</b>	<input type="text"/>
<b>SERIAL NO.</b>	<input type="text"/>
<b>DATE OF PURCHASE</b>	<input type="text"/>
<b>PLACE OF PURCHASE</b>	<input type="text"/>

Record your generator's model number, serial number, date of purchase and place of purchase in the spaces provided. Have this information available when ordering parts and when making technical or warranty inquiries.

Note: It is recommended that you place the completed sticker on the unit itself where it can be seen (e.g., gas tank.)

## LIMITED WARRANTY

All Power warrants to the original purchaser who uses the product in a consumer application (personal, residential or household usage) that all products covered under this warranty are free from defects in material and workmanship for one year from the date of purchase. All products covered by this limited warranty which are used in commercial applications (i.e. income producing) are warranted to be free of defects in material and workmanship for 90 days from the date of original purchase. Products covered under this warranty include air compressors, air tools, service parts, pressure washers and generators.

All Power will repair or replace, at All Power sole option, products or components which have failed within the warranty period. Service will be scheduled according to the normal work flow and business hours at the service center location, and the availability of replacement parts. All decisions of All Power with regard to this limited warranty shall be final.

This warranty gives you specific legal rights, and you may also have other rights which vary from state to state.

**RESPONSIBILITY OF ORIGINAL PURCHASER (initial User):**  
To process a warranty claim on this product, DO NOT return item to the retailer. The product must be evaluated by an Authorized Warranty Service Center. For the location of the nearest Authorized Warranty Service Center call 888.896.6881.

**Retain original cash register sales receipt as proof of purchase for warranty to work.**

Use reasonable care in the operation and maintenance of the product as described in the Owner's Manual(s).

Deliver or ship the product to the Authorized Warranty Service Center. Freight costs, if any must be paid by the purchaser.

If the purchaser does not receive satisfactory results from the Authorized Warranty Service Center, the purchaser should contact All Power.

### THIS WARRANTY DOES NOT COVER:

- Merchandise sold as reconditioned, used as rental equipment, or floor or display models.
- Merchandise that has become damaged or inoperative because of ordinary wear, misuse, cold, heat, rain, excessive humidity, freeze damage, use improper chemicals, negligence, accident, failure to operate the product in accordance with the instructions provided in the Owner's Manual(s) supplied with the product, improper maintenance, the use of accessories or attachments not recommended by All Power, or unauthorized repair or alterations.
- Repair and transportation costs of merchandise determine not to be defective.
- Costs associated with assembly, required oil, adjustments or other installation and start-up costs.
- Expendable parts or accessories supplied with the

product which are expected to become inoperative or unusable after a reasonable period of use.

- Merchandise sold by All Power which has been manufactured by and identified as the product of another company, such as gasoline engines. The product manufacturer's warranty, if any, will apply.
- ANY INCIDENTAL, INDIRECT OR CONSEQUENTIAL LOSS, DAMAGE, OR EXPENSE THAT MAY RESULT FROM ANY DEFECTS, FAILURE OR MALFUNCTION OF THE PRODUCT IS NOT COVERED BY THIS WARRANTY. Some states do not allow the exclusion, so it may not apply to you.
- IMPLIED WARRANTIES, INCLUDING THOSE OF MERCHANTABILITY OR FITNESS FOR A PARTICULAR PURPOSE, ARE LIMITED TO ONE YEAR FROM THE DATE OF ORIGINAL PURCHASE. Some states do not allow limitations on how long an implied warranty lasts, so the above limitations may not apply to you.



[www.allpoweramerica.com](http://www.allpoweramerica.com)