



---

# BACKSPLASH WITH SHELF

## Use & Care / Installation Instructions

For questions about features, operation/performance, parts, accessories or service, call: **1-800-422-1230** or visit our website at **www.kitchenaid.com**

In Canada, for assistance, installation and service, call: **1-800-807-6777** or visit our website at **www.Kitchenaid.ca**

---

# PANNEAU ANTI-ÉCLABOUSSURE AVEC ÉTAGÈRE

## Utilisation et entretien / Instructions d'installation

Pour des questions à propos des caractéristiques, du fonctionnement/rendement, des pièces, des accessoires ou du service, composer le : **1-800-422-1230** 1230 ou visitez notre site Web sur **www.Kitchenaid.ca**

Au Canada, pour assistance, installation ou service, composer le : **1-800-807-6777** or visit our website at **www.Kitchenaid.ca**

---

## Table of Contents/Table des matieres

<b>INSTALLATION REQUIREMENTS.....</b>	<b>2</b>	<b>EXIGENCES D'INSTALLATION.....</b>	<b>7</b>
<b>INSTALLATION INSTRUCTIONS.....</b>	<b>3</b>	<b>INSTRUCTIONS D'INSTALLATION.....</b>	<b>8</b>
<b>BACKSPLASH USE &amp; CARE.....</b>	<b>5</b>	<b>UTILISATION ET ENTRETIEN DU PANNEAU ANTI-ÉCLABOUSSURE.....</b>	<b>10</b>

---

# INSTALLATION REQUIREMENTS

## Tools and Parts

Gather the required tools and parts before starting installation. Read and follow the instructions provided with any tools listed here.

### Tools Required

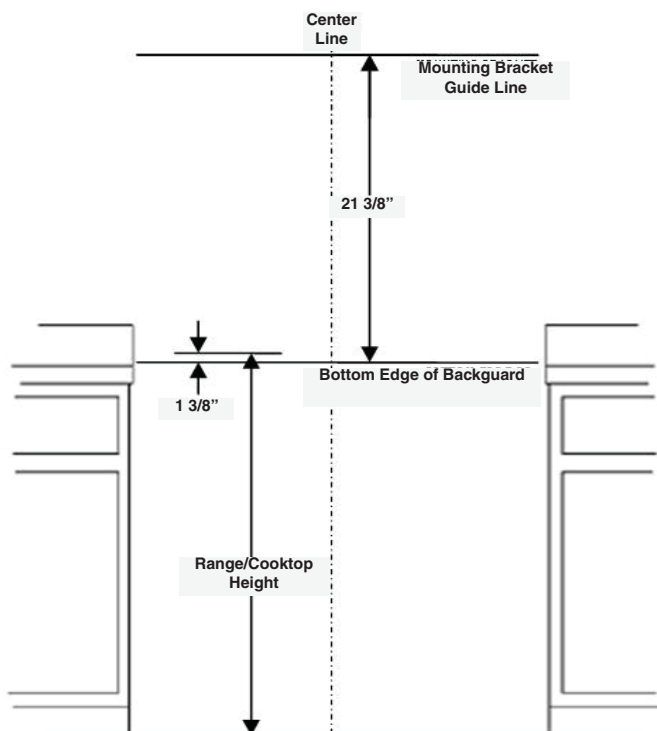
- Drill
- 1/8" Drill Bit
- Tape Measure
- Level
- Stud Finder
- Phillips Head Screwdriver

### Parts Supplied

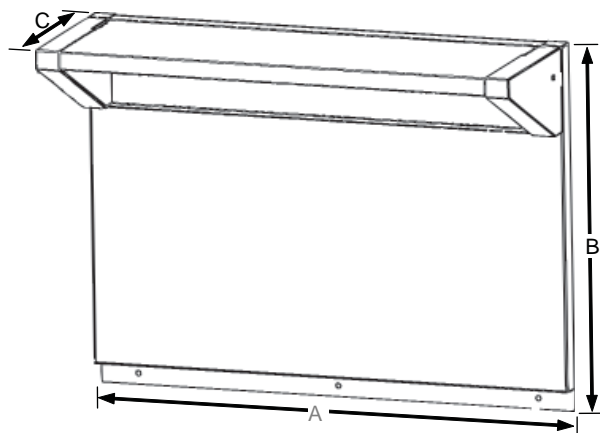
- Backsplash
- Shelf
- Shelf brackets
- Wall brackets
- Screws, 8-18 x 1/2"
- Screws, 10-2 x 2"

## Location Requirements

The backsplash can be installed on the backwall behind a commercial style range or cooktop. Appliance must be level side to side and front to back. Proper installation is your responsibility.



## Backsplash Dimensions



- A. Backsplash width
  - W10225950: 30"
  - W10225949: 36"
  - W10225948: 48"
- B. Backsplash height, 22 3/8"
- C. Backsplash depth
  - 10 1/2" with shelf
  - 1 3/8" without shelf

---

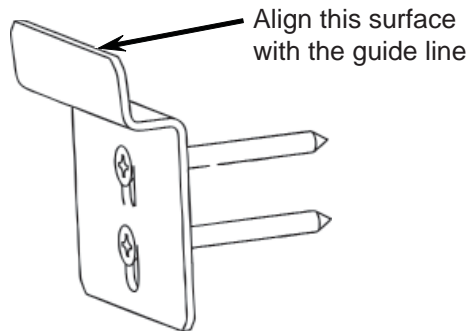
# INSTALLATION INSTRUCTIONS

## Mark Guide Lines

1. Mark a small line on the backwall at the height of the range or cooktop.
2. Measure 1 3/8" down from this line and scribe a level line the full length of the installation space. This line represents the lower edge of the backsplash.
3. Position the bottom edge of the flange along the bottom edge of backsplash line. Align the center of the backsplash with the center of the appliance. Mark each mounting hole (3 locations) with a pencil. Set panel aside.
4. Measure up 21 3/8" from the bottom edge of backsplash line and draw a level line the full length of the installation space. This line represents where the mounting brackets will attach to the wall.

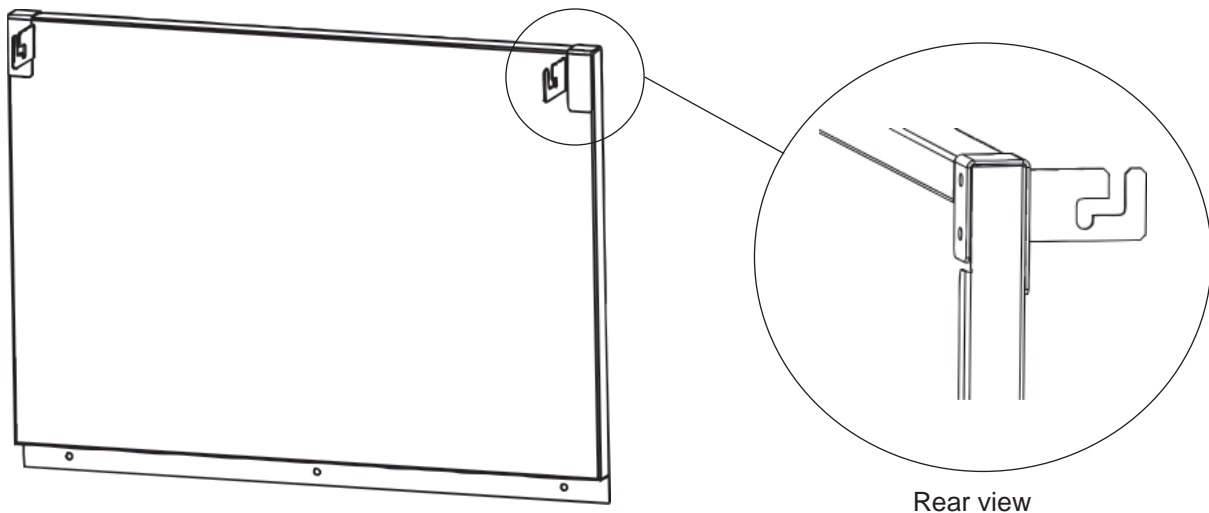
## Install Mounting Brackets

1. Using a stud finder, locate the edges of the wall studs within the installation space.
2. Mark the center of each stud and draw a line down the center of the stud.
3. Line up the top of the wall mounting bracket along the top edge line from "Mark Guide Lines" section.
4. Center a bracket along the centerline of each wall stud.
5. Mount each bracket to wall using two 10-12 x 2" screws per bracket (included with kit). A minimum of two mounting brackets should be installed for the 30" and 36" models. The 48" model requires three mounting brackets.



## Attach Shelf Brackets

1. Place the shelf brackets on the top of the Backsplash as shown in the picture.
2. Attach the bracket to the Backsplash using two 8-18 x 1/2" screws.

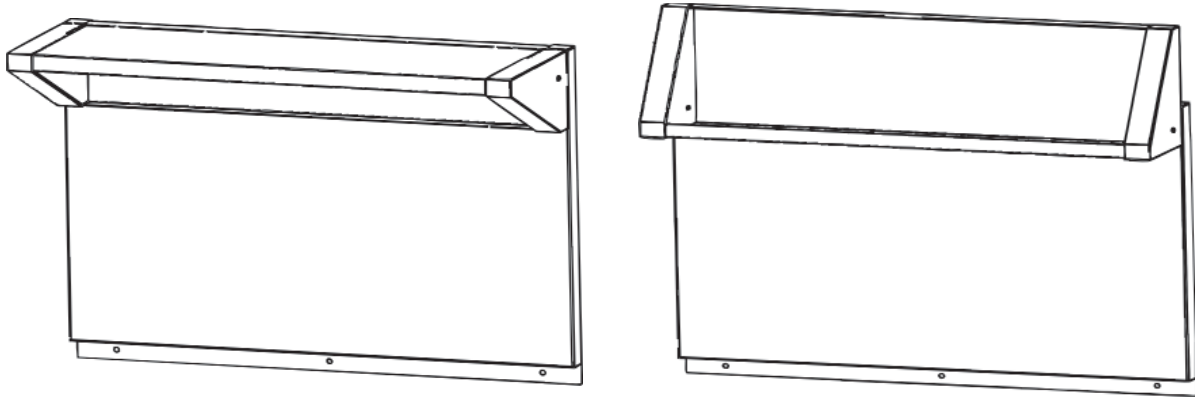


## Install Backsplash

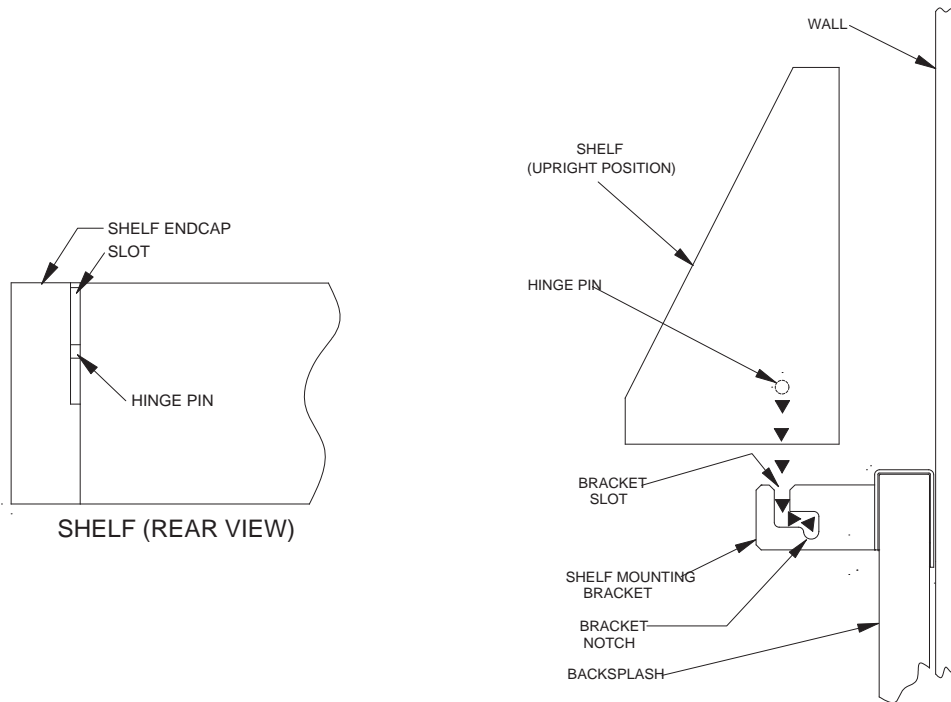
1. Hook the flange on the back of the Backsplash over the mounting brackets attached to the wall.
2. Center the Backsplash and align the three holes at the bottom of the Backsplash with the marks on the wall made in the "Mark Guide Lines" section.
3. Attach bracket to wall using the three 10-12 x 2" screws through the holes at the bottom of the flange.

## Install Shelf

The shelf included with the backsplash can be installed in two different positions.



1. Locate the hinge pin in each end of the shelf. View into the slot on either end of the shelf and the hinge pin is visible.



2. Grasp the shelf on each end with the shelf in the desired orientation.
3. Align the slots of the shelf with the shelf brackets and insert the hinge pins into the shelf bracket slot.
4. Slide shelf back until both hinge pins on each end are positioned into notch of the bracket.

---

# BACKSPLASH USE & CARE

## Change Shelf Orientation

1. Grasp the shelf on each end and pull shelf forward while lifting up. Shelf will be removed from the backsplash.
2. Determine desired shelf orientation.
3. See “Install Shelf” section for re-installation detail.

## General Cleaning

Do not use soap-filled scouring pads, abrasive cleaners, Cooktop Polishing Creme, steel-wool pads, gritty washcloths or abrasive paper towels. Damage may occur, even with one-time or limited use. Rub in direction of grain to avoid damaging.

### **Cleaning Method:**

- KitchenAid® Stainless Steel Cleaner and Polish: Follow the instructions found on the label of the cleaner.
  - Liquid detergent or all-purpose cleaner: Rinse with clean water and dry with soft, lint-free cloth.
-