



TOP MOUNT REFRIGERATOR

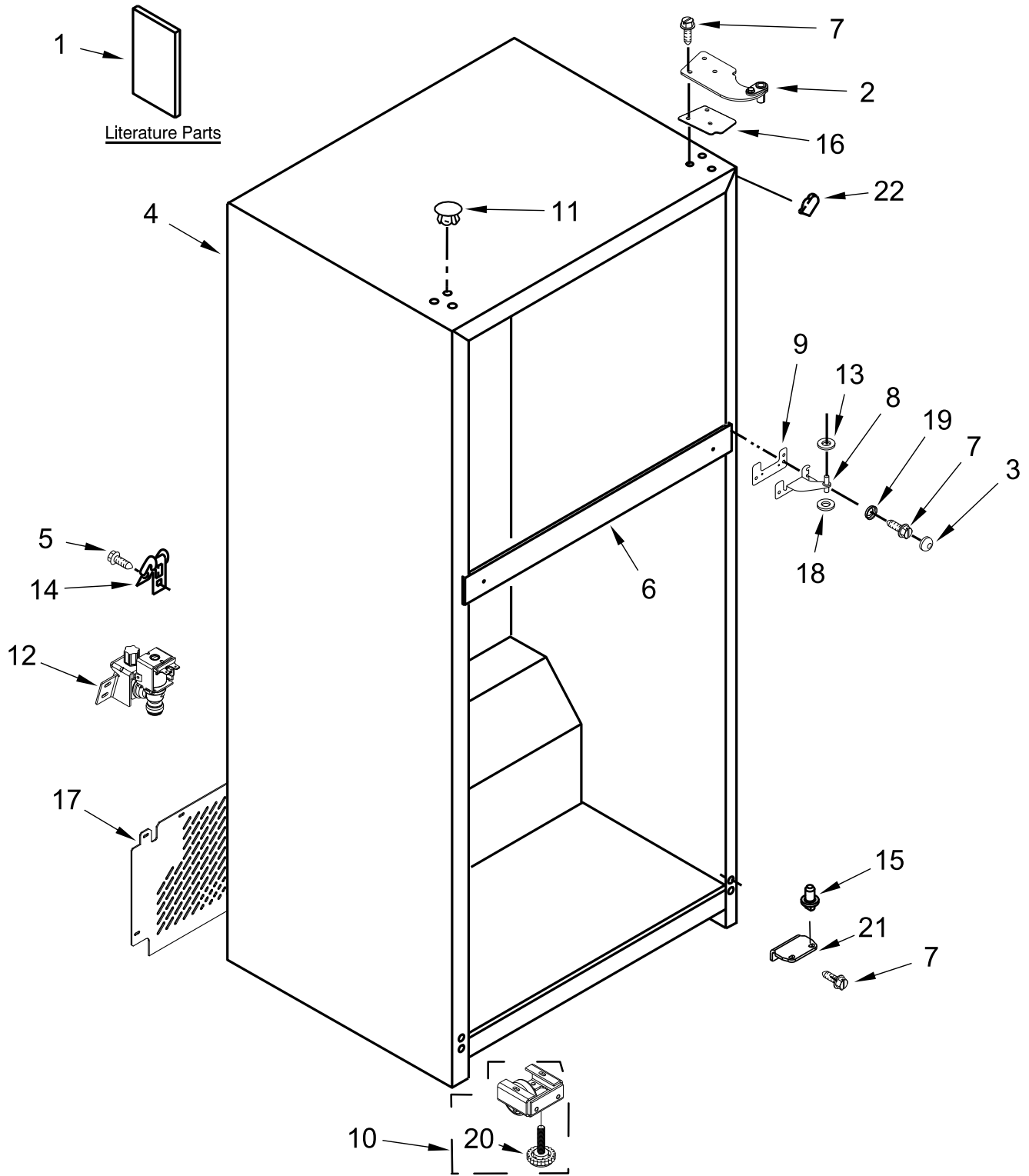
MODELS:

WRT518SZFW00 (White)

WRT518SZFB00 (Black)

WRT518SZFM00 (Stainless Steel)

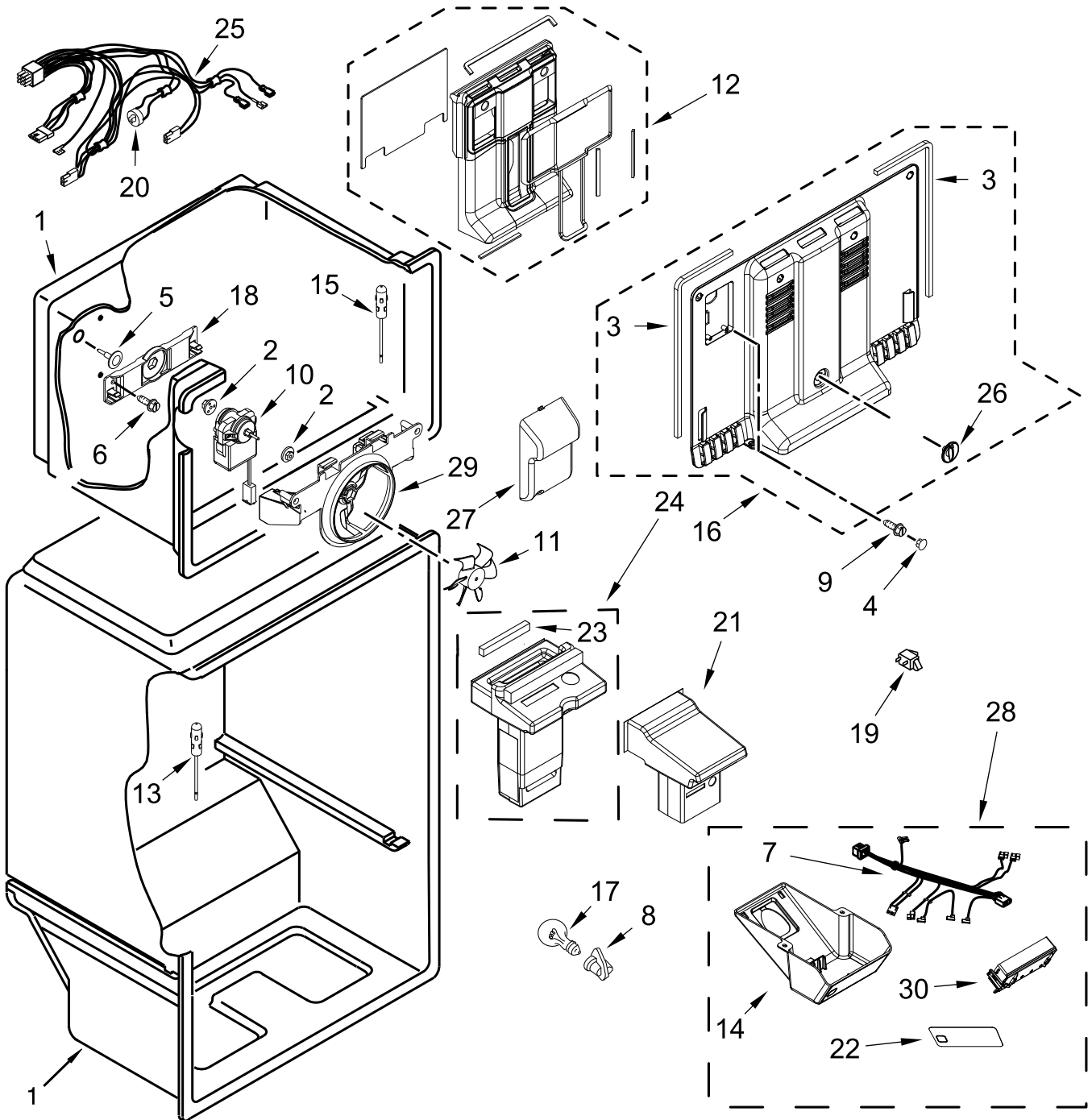
CABINET PARTS



CABINET PARTS

<u>Illus.</u> <u>No.</u>	<u>Part No.</u>	<u>Description</u>	<u>Illus.</u> <u>No.</u>	<u>Part No.</u>	<u>Description</u>	<u>Illus.</u> <u>No.</u>	<u>Part No.</u>	<u>Description</u>
1		Literature Parts	7	489497	Screw	15	2325483	Pin, Hinge (Bottom)
	W10843219	Tech Sheet	8	2166086	Assembly, Hinge (Center)	16	W10883637	Shim, Top Hinge
	W10843051	Use & Care Guide				17	W10626437	Cover, Unit
	W11033109	Energy Guide	9		Shim, Hinge (Center)	18	487576	Washer, Plastic
2	W10300065	Assembly, Top Right Hinge		2166043	White	19	W10674773	Dome Cap, Washer
3		Dome Cap	10	W10142530	Assembly, Roller	20	W10133299	Leveler
	W10674771	White	11		Hole Plug	21	2325482	Hinge, Bottom
	W10679135	Black		W10520304	White	22		Filler, Corner
	W10679139	Grey		W10520305	Black		2166003	White
4		Cabinet (Not Serviced)		W10520307	Grey		2215384	Black
5	489442	Screw	12	W10498995	Valve, Inlet		W10761079	Grey
6		Rail, Center (Not Serviced)	13	489341	Washer, Plastic			
			14	549193	Clamp, Power Cord			

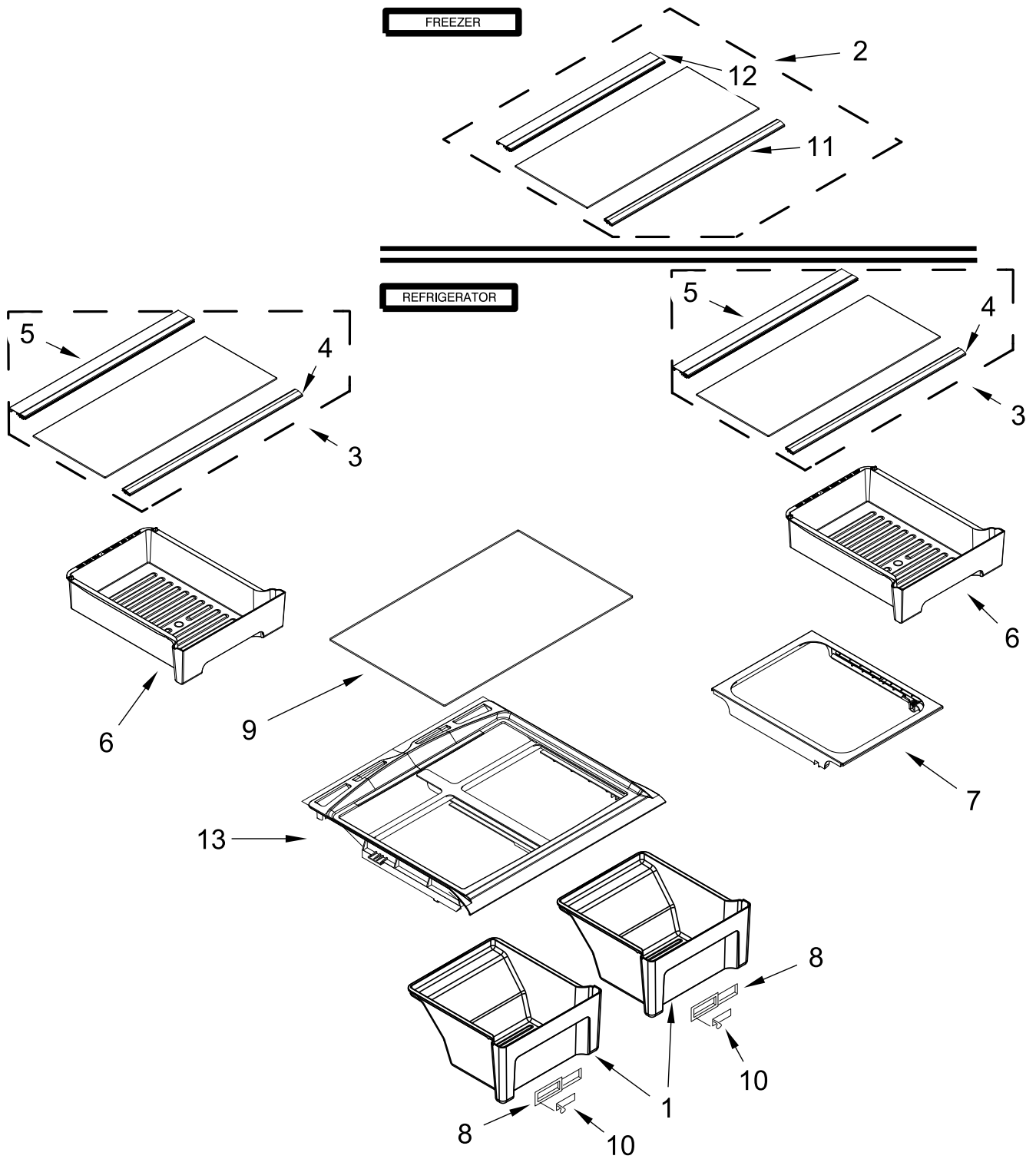
LINER PARTS



LINER PARTS

<u>Illus. No.</u>	<u>Part No.</u>	<u>Description</u>	<u>Illus. No.</u>	<u>Part No.</u>	<u>Description</u>	<u>Illus. No.</u>	<u>Part No.</u>	<u>Description</u>
1		Liner (Not Serviced)	12	W10813581	Assembly, Evaporator Plenum	22	W10851772	Overlay
2	2197380	Grommet	13	W10452402	Thermistor, Refrigerator	23	W10702120	Gasket, Air Diffuser
3	W10579698	Gasket, Evaporator Cover	14	W10569265	Assembly, Control Box	24	W10570939	Assembly, Air Diffuser
4	W10487421	Cover, Screw	15	W10384183	Thermistor	25	W10646206	Assembly, Evaporator Fan Wire (Includes Bi-Metal Defrost)
5	941839	Hole Plug White	16	W10875836	Cover, Evaporator	26	W10570952	Knob, Air Control
6	488208	Screw	17	W10820003	Lamp, Led	27	W10339203	Cover, Water Tube
7	W10862098	Wire Assembly, Control Box	18	2254454	Bracket, Evaporator Fan Rear	28	W10835562	Electronic, Control
8	2155597	Socket, Light	19	1118894	Switch, Rocker Arm	29	W10321162	Bracket, Fan Motor
9	8281232	Screw	20		Bi-Metal Defrost (Not Serviced)	30	W10894037	Control, Electronic
10	2315539	Motor, Evaporator Fan	21	W10570941	Duct, Air			
11	2200509	Blade, Fan						

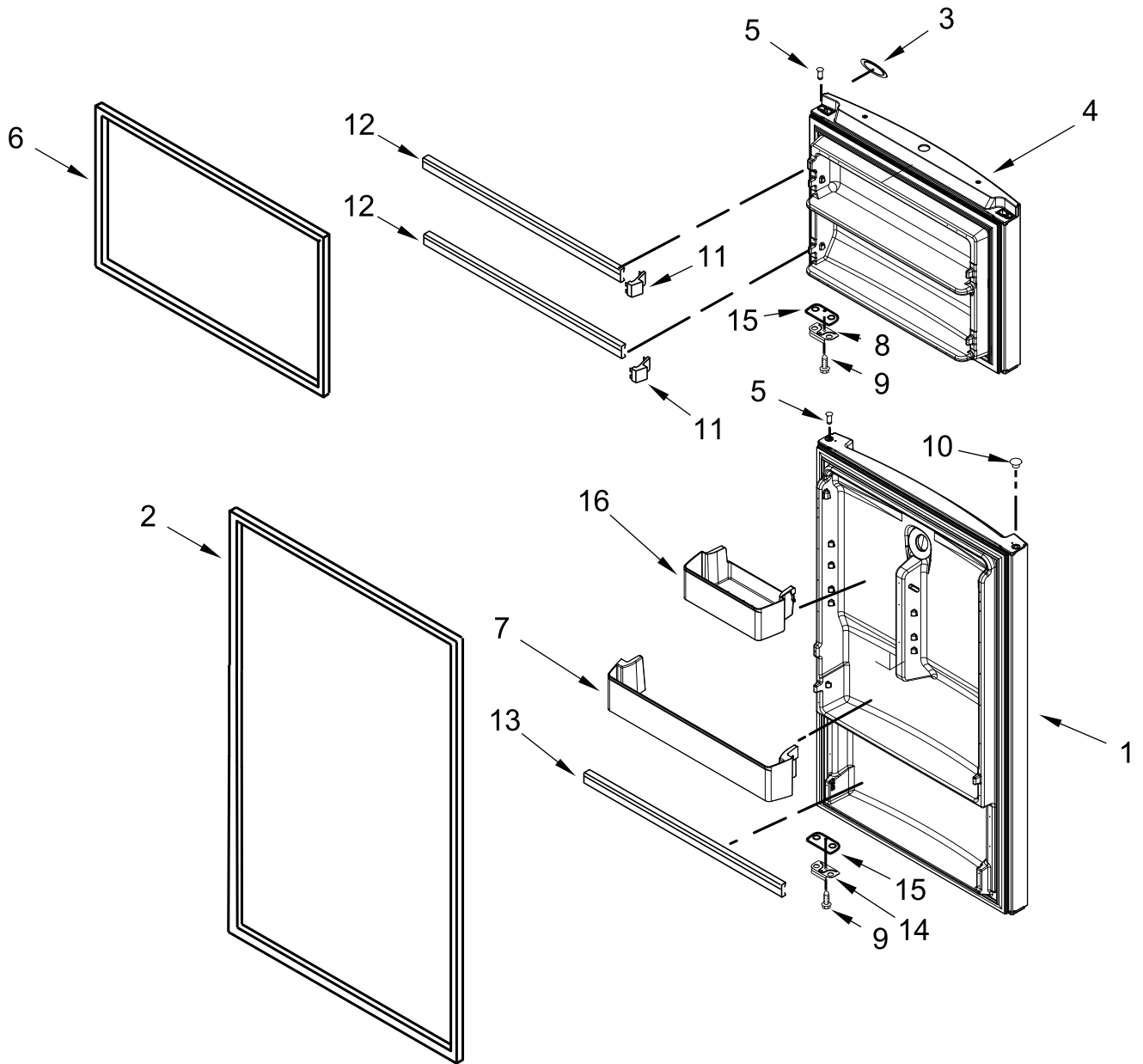
SHELF PARTS



SHELF PARTS

<u>Illus.</u> <u>No.</u>	<u>Part No.</u>	<u>Description</u>	<u>Illus.</u> <u>No.</u>	<u>Part No.</u>	<u>Description</u>	<u>Illus.</u> <u>No.</u>	<u>Part No.</u>	<u>Description</u>
1	2256704	Pan, Crisper	6	W10815714	Pan, Meat	11	W10847166	Trim, Shelf Front
2	W10847320	Shelf, Glass	7	W10814193	Holder, Meat Pan	12	W10847182	Trim, Shelf Rear
3	W10894088	Shelf Pan Glass, Meat	8	2212446	Body, Humidity Control	13	2222031	Cover, Crisper
4	W10894082	Trim Shelf, Front	9	2324035	Glass, Shelf			
5	W10804340	Trim Shelf, Rear	10	2176222	Slide, Humidity Control			

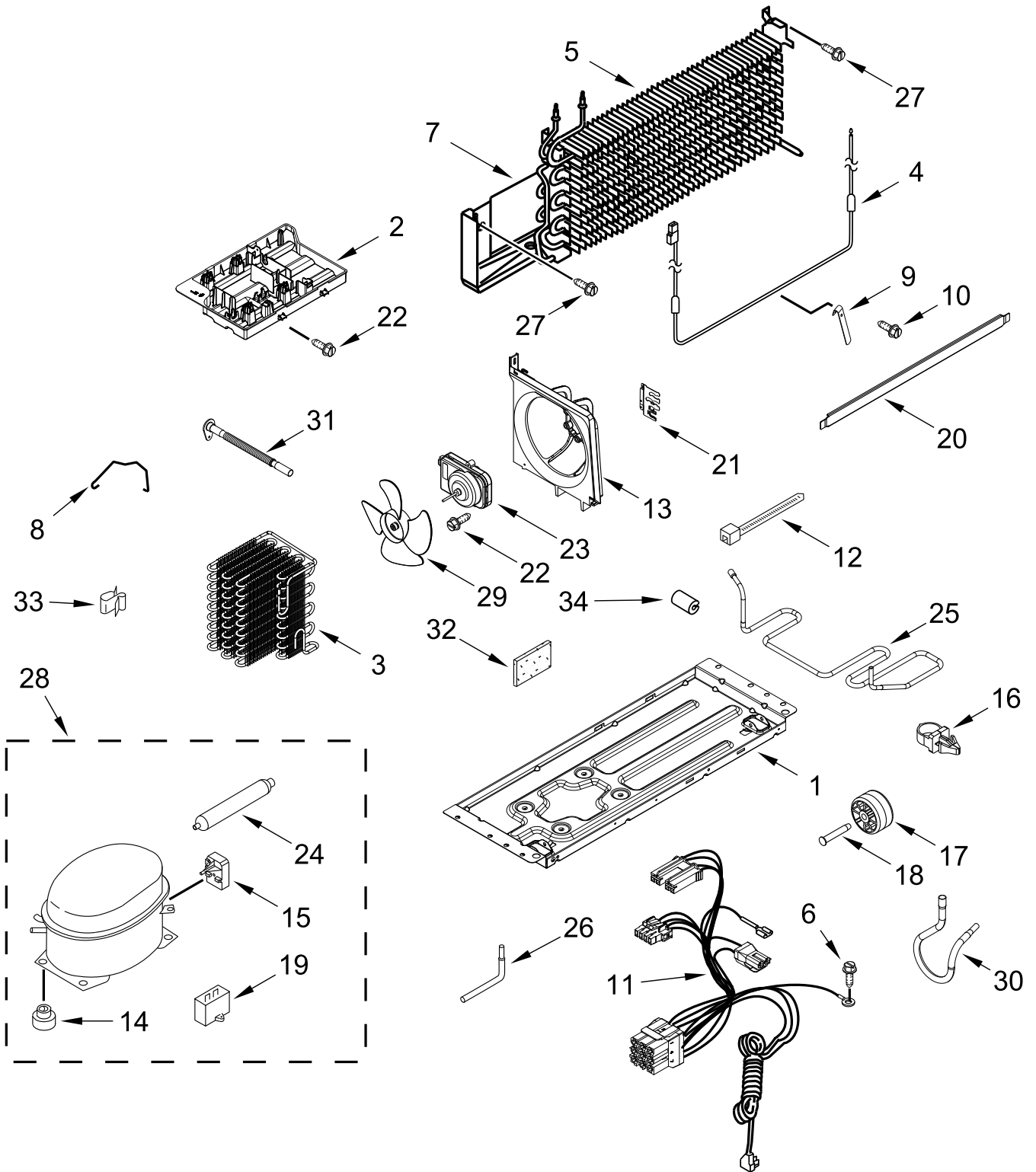
DOOR PARTS



DOOR PARTS

<u>Illus.</u> <u>No.</u>	<u>Part No.</u>	<u>Description</u>	<u>Illus.</u> <u>No.</u>	<u>Part No.</u>	<u>Description</u>	<u>Illus.</u> <u>No.</u>	<u>Part No.</u>	<u>Description</u>
1		Refrigerator Door (Includes Illustration 2)	4		Freezer Door (Includes Illustration 6)	7	W10805892	Trivet
	W10852095	White		W10852088	White	8	2189202	Bracket, Door Stop
	W10803934	Black		W10803963	Black	9	488921	Screw
	W10803941	Stainless		W10803965	Stainless	10		Hole Plug
2		Door Gasket, Magnetic	5		Thimble		2212648	White
	2264727	White		W10492018	White		2212651	Black
	2264723	Black		W10334042	Black	11	2156003	Endcap, Trim
	W10246160	Grey	6		Door Gasket, Magnetic	12	2266727	Trim, Door
3		Nameplate		W10840863	White	13	W10234241	Trim, Door Shelf
	W10481434	White		W10843447	Black	14	W10492012	Bracket, Door Stop
	W10481433	Grey		W10843448	Grey	15		Shim, Door Stop
							2258681W	White
						16	W10805890	Movable, Bin

UNIT PARTS



UNIT PARTS

<u>Illus. No.</u>	<u>Part No.</u>	<u>Description</u>	<u>Illus. No.</u>	<u>Part No.</u>	<u>Description</u>	<u>Illus. No.</u>	<u>Part No.</u>	<u>Description</u>
1	W10573847	Support Plate, Compressor	17	W10475495	Roller	33	2326941	Clip, Wire
2	W10565417	Tray, Evaporator	18	2264756	Axle, Roller	34	2319835	Grommet, Condenser
3	W10487115	Condenser	19	W10590088	Capacitor			FOLLOWING PARTS NOT ILLUSTRATED
4	W10570573	Heater, Defrost	20	W10300902	Cover, Heater			
5	W10570565	Assembly, Evaporator	21	W10314197	Bracket, Evaporator			
6	8533919	Screw	22	8533859	Screw		978025	Valve, Access
7	W10570572	Shield, Heat	23	W10527155	Motor, Condenser Fan		978026	Valve, Access
8	W10174384	Strap, Bale	24	W10669573	Drier		978027	Valve, Access
9	2258429	Heat Probe	25	W10727428	Assembly, Precooler		978028	Valve, Access
10	489478	Screw	26	VS20001	Tube, Process		978029	Valve, Access
11	W10862100	Harness, Unit	27	489442	Screw		978030	Valve, Access
12	2263990	Tie, Wire	28	W10575980	Compressor		876764	Valve, Access
13	W10570380	Scroll, Fan	29	W10675036	Blade, Fan			REFRIGERANT CHARGE
14	2222084	Grommet	30	W10830003	Tube, Suction			4.2 oz (R-134A)
15	W10448874	Device, Start	31	W10582029	Tube, Drain			
16	2219077	Clip, Harness	32	2215468	Insulation, Sound			

OPTIONAL PARTS

<u>Illus.</u> <u>No.</u>	<u>Part No.</u>	<u>Description</u>
	978941	Insulation, Fiberglass (63 1/2" x 35 1/2" x 2 5/8")
	212643	Sealer, Gum (4 Feet)
	479502	Tape, Vinyl (3/4 x 108")
	876305	Insulation Kit (14 Pieces, 3" x 24" x 48")
	876370	Insulation (2 Pieces, 3" x 24" x 48")
	876029	Kit, Foam Slab (30" x 32 1/2" x 1 1/2")
	505587	Sealer, Mastic (1 Qt)
	511873	White Porcelain (2 oz.)
	542638	Grease, Silicone (1/2 Oz.)
	542639	Cement, Alumilastic (1 1/4 Oz.)
	606755	Bag
	833938	Kit, Terminal Connector
	503695	Cork, Sealer
	8003RP	Kit, Water Inlet
	W10662124	Door Reversal Kit, White Model
	W10676239	Door Reversal Kit, Black Model
	W10676240	Door Reversal Kit Stainless Model
	W10715709	Ice Maker Assembly (ECKMFEZ2) *Also order part 8003RP (Water Inlet Kit)*