

**REPAIR
PARTS
LIST**

253.60413710

For Parts or Service:

Call

**1-800-4-MY-HOME®
(1-800-469-4663)**

Or Visit

www.sears.com



TOP-MOUNT REFRIGERATOR

In all orders or correspondence, avoid delays and misunderstandings by always giving the complete model number shown on the serial plate attached to the top left side of the refrigerator compartment.

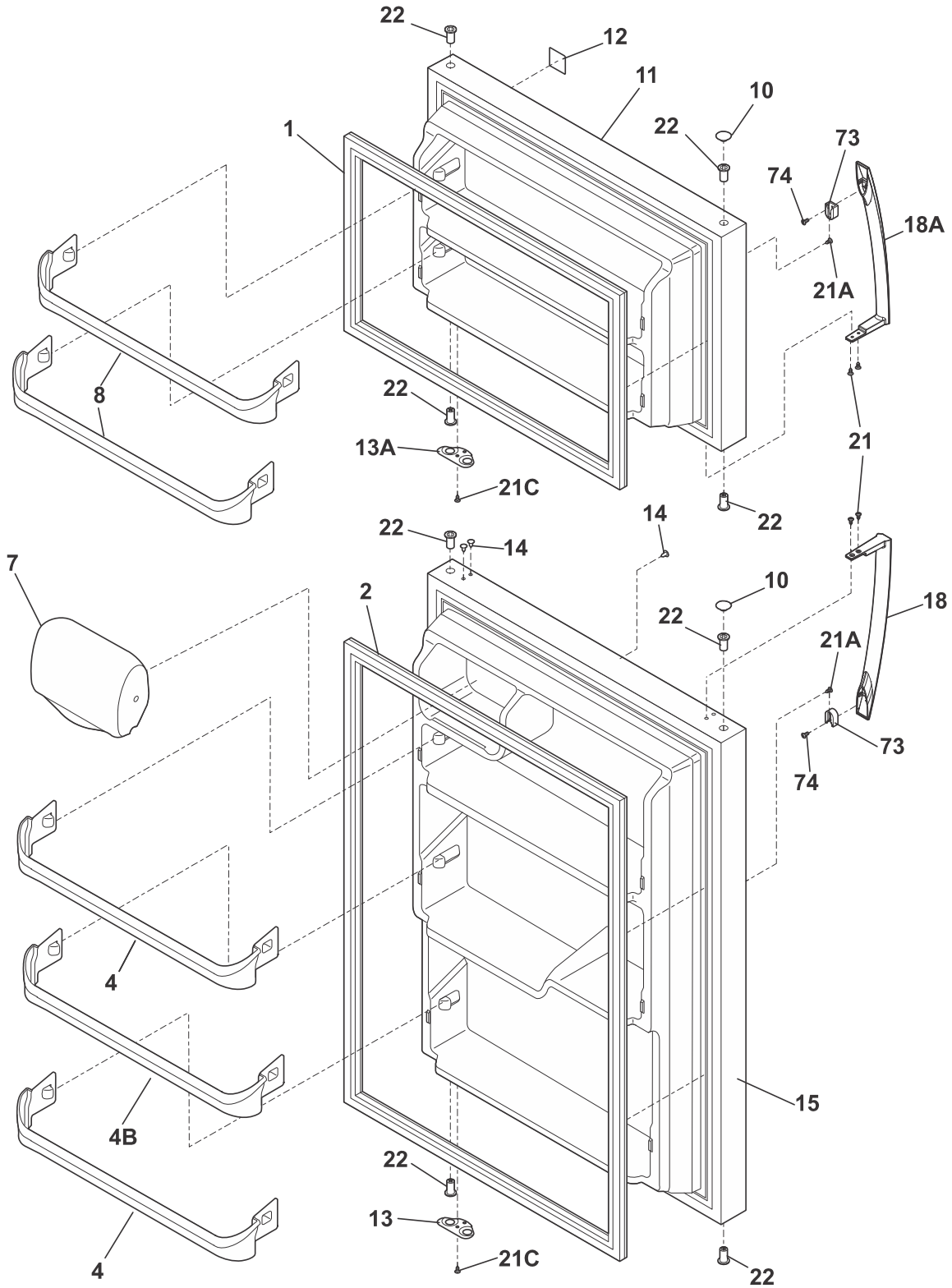
All repair parts listed are available for immediate purchase or special order when you visit your nearest Sears Parts & Repair Center, or the Service Department at most Sears stores. To order parts by phone, call the toll-free number listed to the left or visit sears.com.

When requesting service or ordering parts, always provide the following information:

- Product Type
- Part Number
- Model Number
- Part Description

DOOR

CAUTION: Use the Kenmore part number to order part, not the illustration number.



DR970R437221

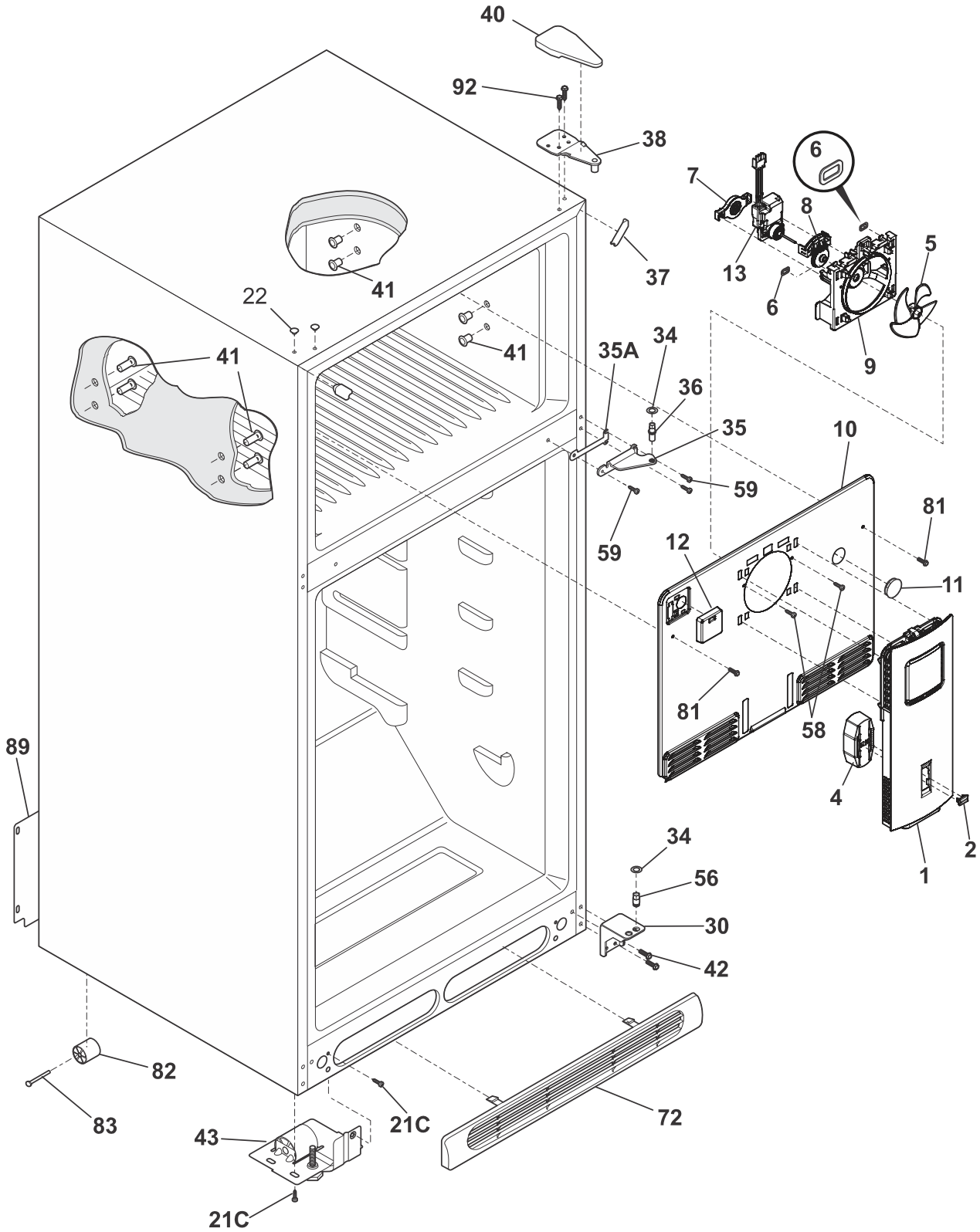
DOOR

CAUTION: Use the Kenmore part number to order part, not the illustration number.

POS. NO	PART NO.	DESCRIPTION
1	242193209	Gasket-frzr door, black, magnetic
2	242193212	Gasket-refr door, black, magnetic
4	240534901	Rack-door
4B	240534701	Rack-door, 4B
7	240337712	Door-dairy
8	240534801	Rack-door
10	240381307	Plug-button, gray, hinge brg hole, (2)
11	240410206	Door-frzr, stainless, complete assy
12	242052403	Nameplate, stainless, Kenmore
13	240312422	Door Stop, black, ref
13A	240312415	Door Stop, black, frzr
14	240494007	Plug-button, gray
15	240410309	Door-refr, stainless, complete assy
18	242110511	Handle-door, black, refr-RH/frzr-LH
18A	242110514	Handle-door, black, refr-LH/frzr-RH
21	240383406	Screw, truss hd quad, #10-16 x .500, zinc
21A	240521303	Screw, #10-16 x 1/2
21C	218252201	Screw, #8 truss hd, 10-32CA x 0.500
22	5304507147	Bearing-hinge, black, (8)
73	242116001	Block-handle mtg, dovetail
74	215503204	Screw, cr pan hd, 10-16

CABINET

CAUTION: Use the Kenmore part number to order part, not the illustration number.



CAWWTR1611SW0

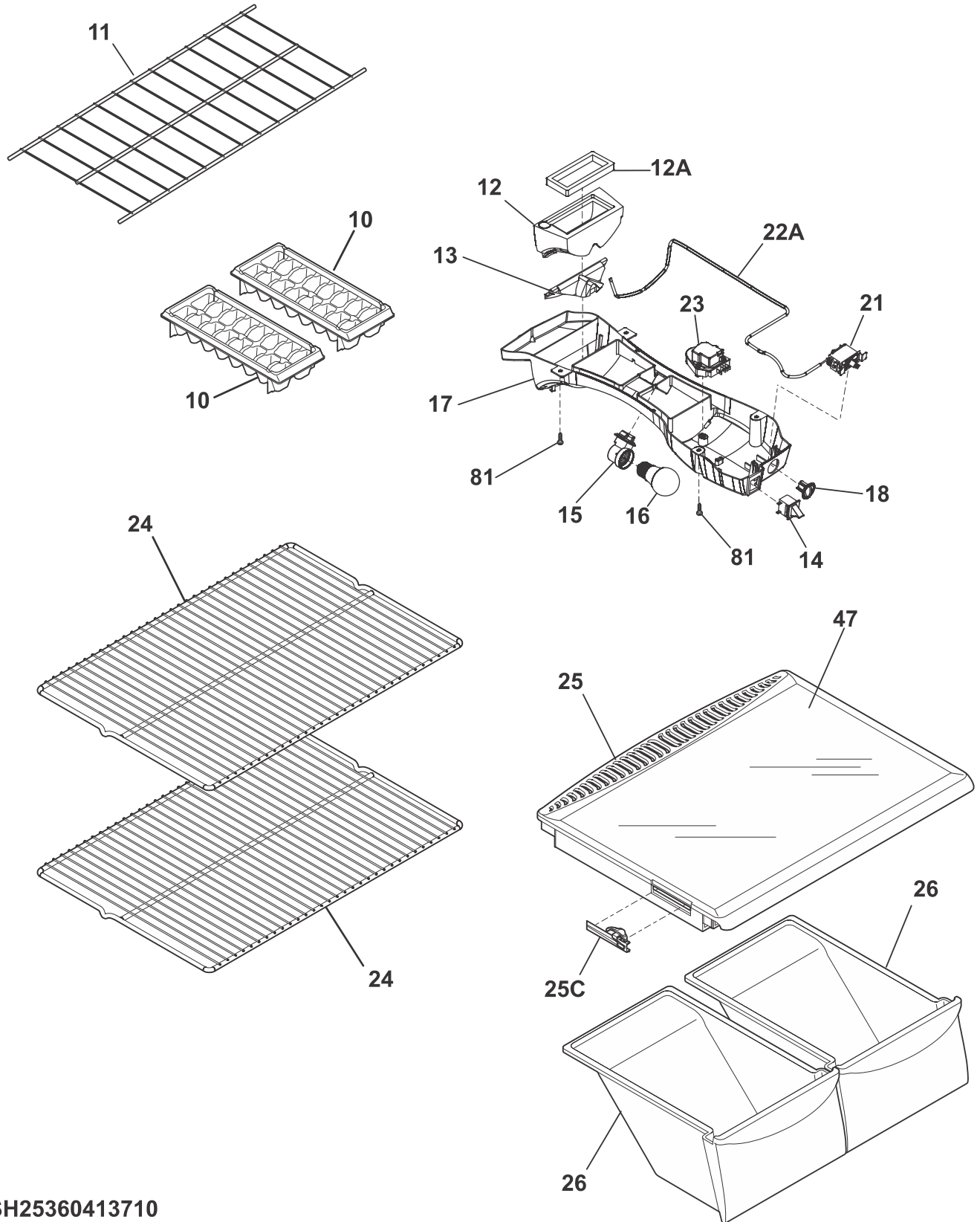
CABINET

CAUTION: Use the Kenmore part number to order part, not the illustration number.

POS. NO	PART NO.	DESCRIPTION
1	242230902	Cover, evaporator fan
2	242229401	Knob, sliding, damper
4	242229501	Damper, fan cover
5	242219302	Fan Blade, evaporator
6	5304497413	Ring, locking, (2)
7	242287501	Grommet, evaporator fan, rear
8	242237301	Grommet, evaporator fan, front
9	242229301	Shroud Bracket, evaporator fan
10	242239305	Cover, coil
10*	240568601	Seal-coil cover
11	5303208309	Plug-hole, factory test
12	242249201	Cover, connection, ice maker
12*	241586701	Plug, round, foam, ice maker, water inlet
13 #	242077702	Motor, evaporator fan, blower
13*#	5304503321	Harness, wiring, frzr section
13*	215474201	Washer, "slinger", nylon, evap fan shaft
13*	218515401	Clip-grille
13*	241953901	Screw, quad hilo, #8-18 x 0.50, (2)
21C	218252201	Screw, #8 truss hd, 10-32CA x 0.500
22	215774918	Plug-button, black, upr hinge holes
30	240314003	Bracket-lower hinge, black
34	240311303	Washer, hinge, nylon, (2)
35	240313803	Bracket-ctr hinge, black
35A	240336803	Spacer-hinge, center, black
36	240516402	Pin-center hinge
37	242161202	Trim-cabinet corner, black, (2)
38	240313703	Bracket-upper hinge
40	240354404	Cover-upper hinge, black
41	5304500407	Grommet, shelf mtg
42	240578902	Screw, hex head, 1/4-20 x 5/8
43	241889002	Roller Assy, front LH, (2)
43*	241889001	Roller Assy, front RH, (2)
56	240516502	Pin-lower hinge
58	240433204	Screw, hex washer head, 8-18 x 5/16
59	240442707	Screw-#10-32 X 3/4, black
72	241839407	Grille/Kickplate, black
81	5304455650	Screw, hex washer head, 8-15A x 0.625, Low Profile
82	240335202	Roller, compressor base, rear
83	5304455655	Rivet, flat head, 1/4 OD x 1-3/4, roller pin
89	241733911	Cover-access, w/label
89*	241500304	Screw, hex washer head, 8-18AB x 0.625
92	241710601	Screw, hex washer hd, 1/4 x 7/8, hinge mtg
*	240494001	Plug-button, white, cab liner holes
*	218990901	Clip-wire

SHELVES

CAUTION: Use the Kenmore part number to order part, not the illustration number.



SH25360413710

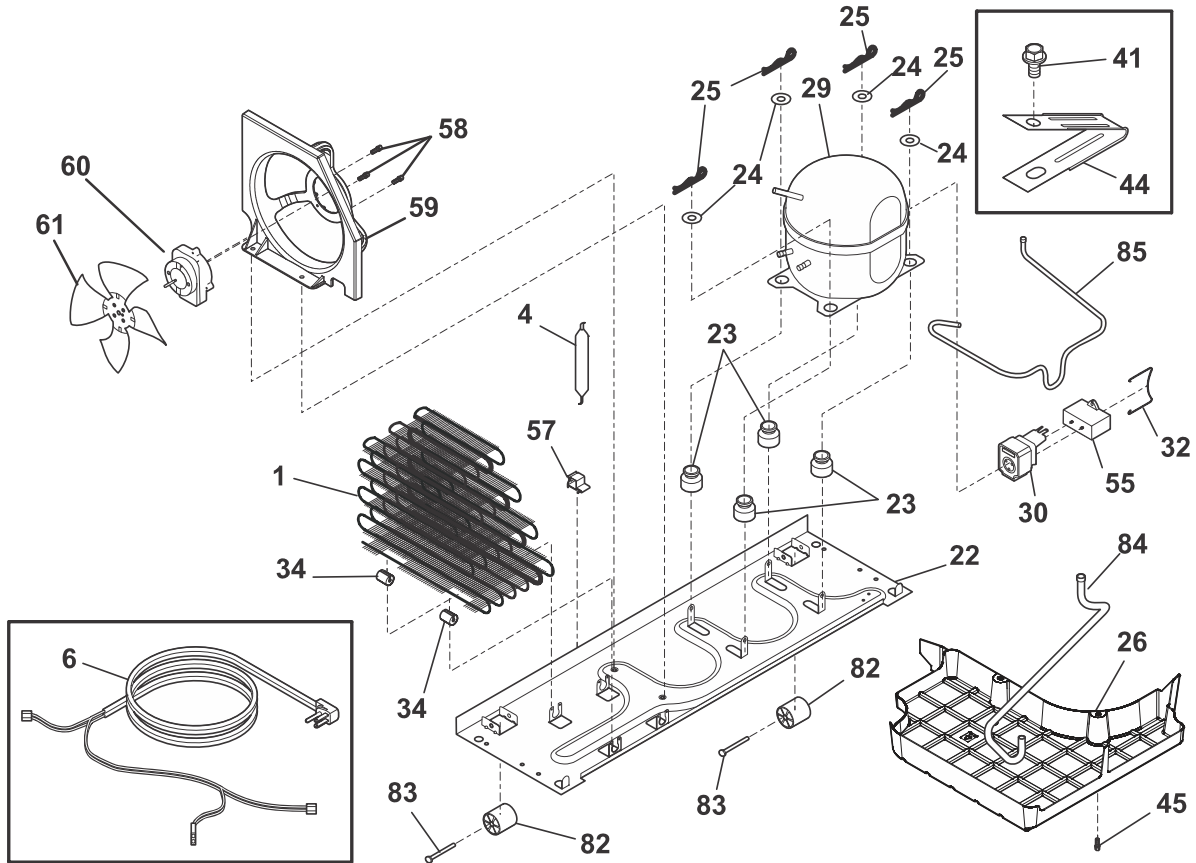
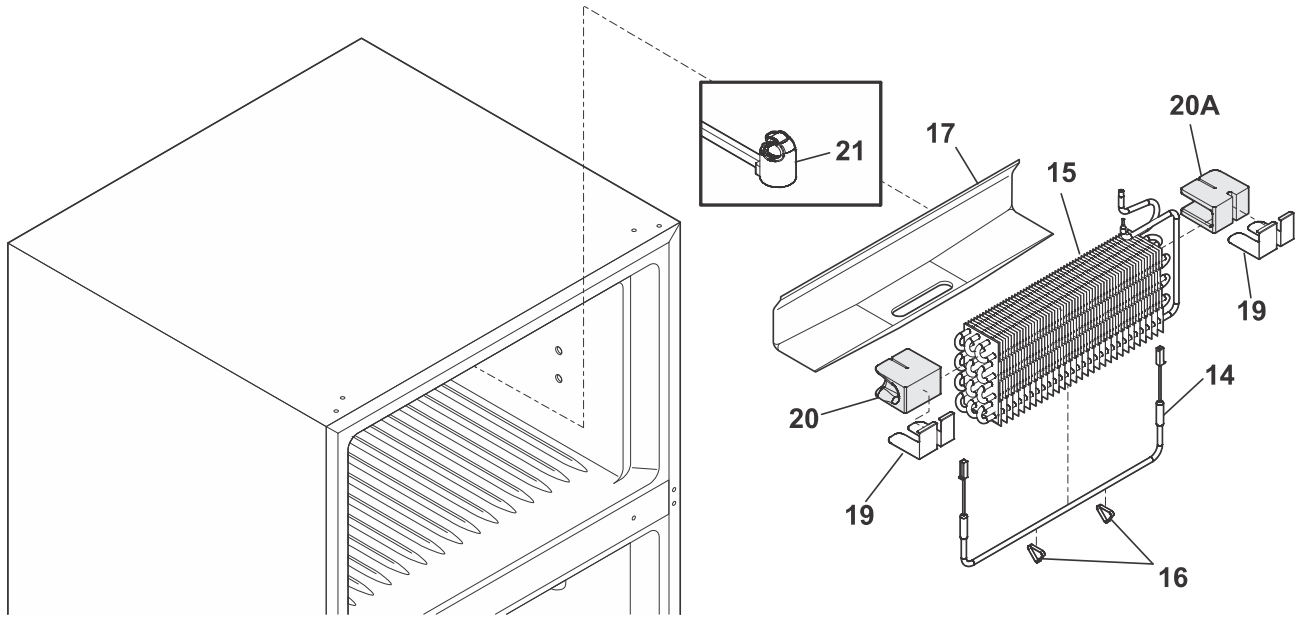
SHELVES

CAUTION: Use the Kenmore part number to order part, not the illustration number.

POS. NO	PART NO.	DESCRIPTION
10	215667501	Tray, ice cube, plastic
11	240358008	Shelf, freezer
11*	241705801	Spacer-shelf
12	241542001	Diffuser, air, top
12A	240568607	Seal
13	240362601	Diffuser, air, bottom
14 #	241554901	Switch-light/lamp
15 #	241555401	Light Bulb
16 #	241559801	Socket-light
17	5304503170	Control Box
17*#	240388701	Wiring Harness, control box
18	240360801	Knob, temp control
21 #	241537103	Control-temperature
22A	240468202	Tube, sensor sleeve, 31 inch, plastic, white
23 #	241705102	Timer-defrost
23*	5303001259	Screw-timer mtg, pan hd, 6-20 x 0.438
24	240360908	Shelf, sliding, wire
25	240364793	Cover-crisper pan
25C	241613502	Control-humidity, LH
26	240337103	Pan-crisper, clear, (2), no graphics
47	240350608	Insert-pan cover, 23.82" x 15.50", glass
81	5304455650	Screw, hex washer head, 8-15A x 0.625, Low Profile
* #	IM116000	Ice Maker Assembly, complete, Optional, accessory
*	5995687117	Repair Parts Catalog
*	5304506849	Owners Guide, Eng/Frn/Spn
*	241588207	Service Data Sheet, ADC and Timer
*	5304498933	Installation Instructions
*	5304511731	Label, energy guide

SYSTEM

CAUTION: Use the Kenmore part number to order part, not the illustration number.



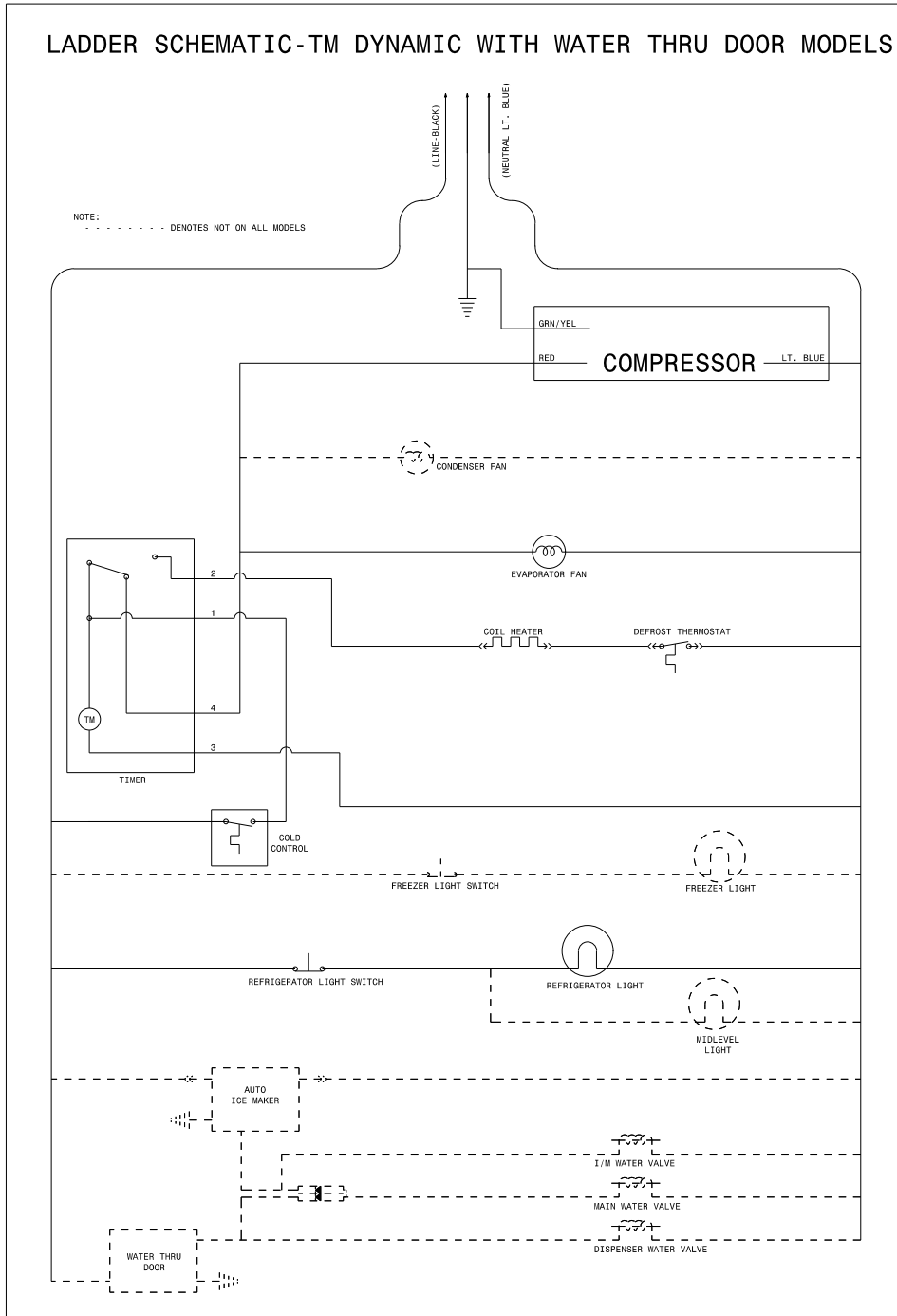
SYCRT182QB4A

SYSTEM

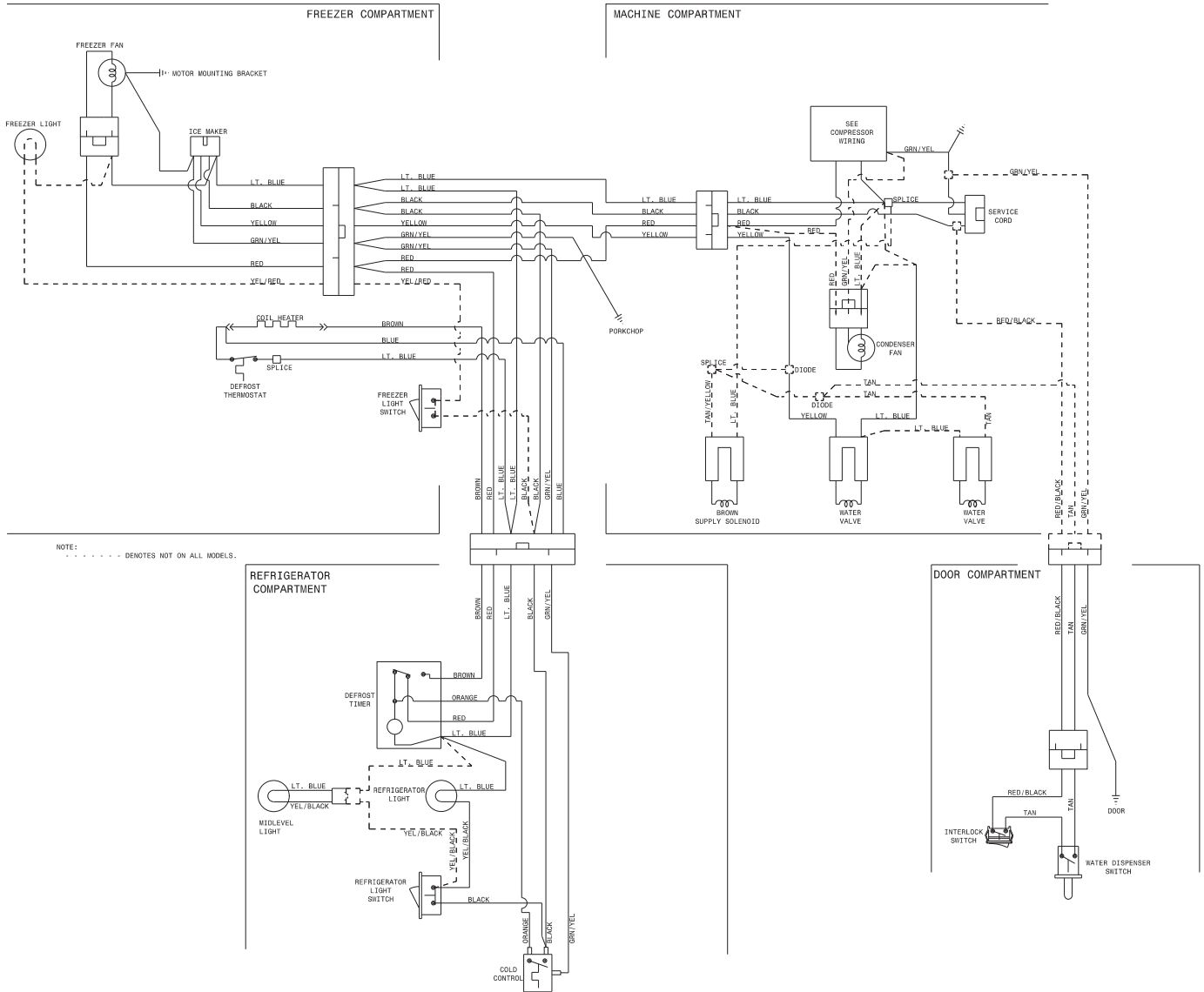
CAUTION: Use the Kenmore part number to order part, not the illustration number.

POS. NO	PART NO.	DESCRIPTION
1 #	241785407	Condenser, dynamic
4 #	242190205	Dryer-filter, w/process tube
6 #	242019701	Harness-wiring, machine compt
6* #	5304503321	Harness, wiring, frzr section
14 #	242044008	Heater-defrost
15 #	5303918274	Evaporator Kit
16	5308000110	Strap-evap/heater, aluminum, (2)
17	241801301	Trough-drain
19	242320401	Shield, heat, evap block
20	242238401	Block, evaporator, RH
20A	242238301	Block, evaporator, LH
21 #	5303918634	Thermostat Kit, defrost, w/connector
22	241665606	Base-compressor, w/rollers
22*	218252201	Screw, #8 truss hd, 10-32CA x 0.500
23	218513300	Grommet-compr mtg, (4)
24	241812301	Washer-compr mtg
25	242037701	Clip-compressor mtg
26	241920605	Pan-defrost
29 #	240550945	Compressor, w/o electricals
30 #	297259524	Controller, compressor
32	5304497418	Clip, controller
34	240405201	Grommet, rubber, black, cond tube/wire
41	240433204	Screw, hex washer head, 8-18 x 5/16
44	5304456288	Clamp-wiring harness, strain relief, galv steel
45	241500304	Screw, hex washer head, 8-18AB x 0.625
55 #	297286803	Capacitor-run
57	240542601	Clip-wiring harness
58	240569202	Screw, 8-18 X .500
59	242050604	Shroud, Condenser Fan
59*	240346701	Tape-foam seal, shroud
59*	240359403	Screw-fan shroud, (2)
60 #	297279502	Motor-condenser fan
61	241639502	Blade-condenser fan
82	240335202	Roller, compressor base, rear
83	5304455655	Rivet, flat head, 1/4 OD x 1-3/4, roller pin
84	240500801	Tube-drain, rubber, lower
85	5304502967	Tube-connector, suction
* #	5303918263	Heat Exchanger Kit, suction line
*	5303918222	Hot Tube Repair Kit, service
*	240396801	Clamp, tube/wiring, nylon, black/natural
*	218843801	Screw, hex wshr hd, 8-15A x 0.500

WIRING SCHEMATIC



WIRING DIAGRAM



Get it fixed, at your home or ours!

Your Home

For troubleshooting, product manuals and expert advice:



www.managemylife.com

For repair – **in your home** – of **all** major brand appliances, lawn and garden equipment, or heating and cooling systems, **no matter who made it, no matter who sold it!**

For the replacement parts, accessories and owner's manuals that you need to do-it-yourself.

For Sears professional installation of home appliances and items like garage door openers and water heaters.

1-800-4-MY-HOME[®] (1-800-469-4663)

Call anytime, day or night (U.S.A. and Canada)

www.sears.com www.sears.ca

Our Home

For repair of "carry-ins" like handheld lawn equipment or home electronics items, call anytime for the location of your nearest

Sears Parts & Repair Service Center

1-800-488-1222 (U.S.A.)

www.sears.com

1-800-469-4663 (Canada)

www.sears.ca

To purchase a protection agreement on a product serviced by Sears:

1-800-827-6655 (U.S.A.)

1-800-361-6665 (Canada)

Para pedir servicio de reparación a domicilio, y para ordenar piezas:

1-888-SU-HOGAR[®]

(1-888-784-6427)

www.sears.com

Au Canada pour service en français:

1-800-LE-FOYER^{MC}

(1-800-533-6937)

www.sears.ca

The Sears logo, consisting of the word "sears" in a lowercase, serif font.