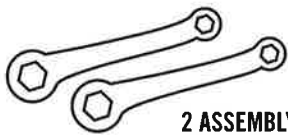
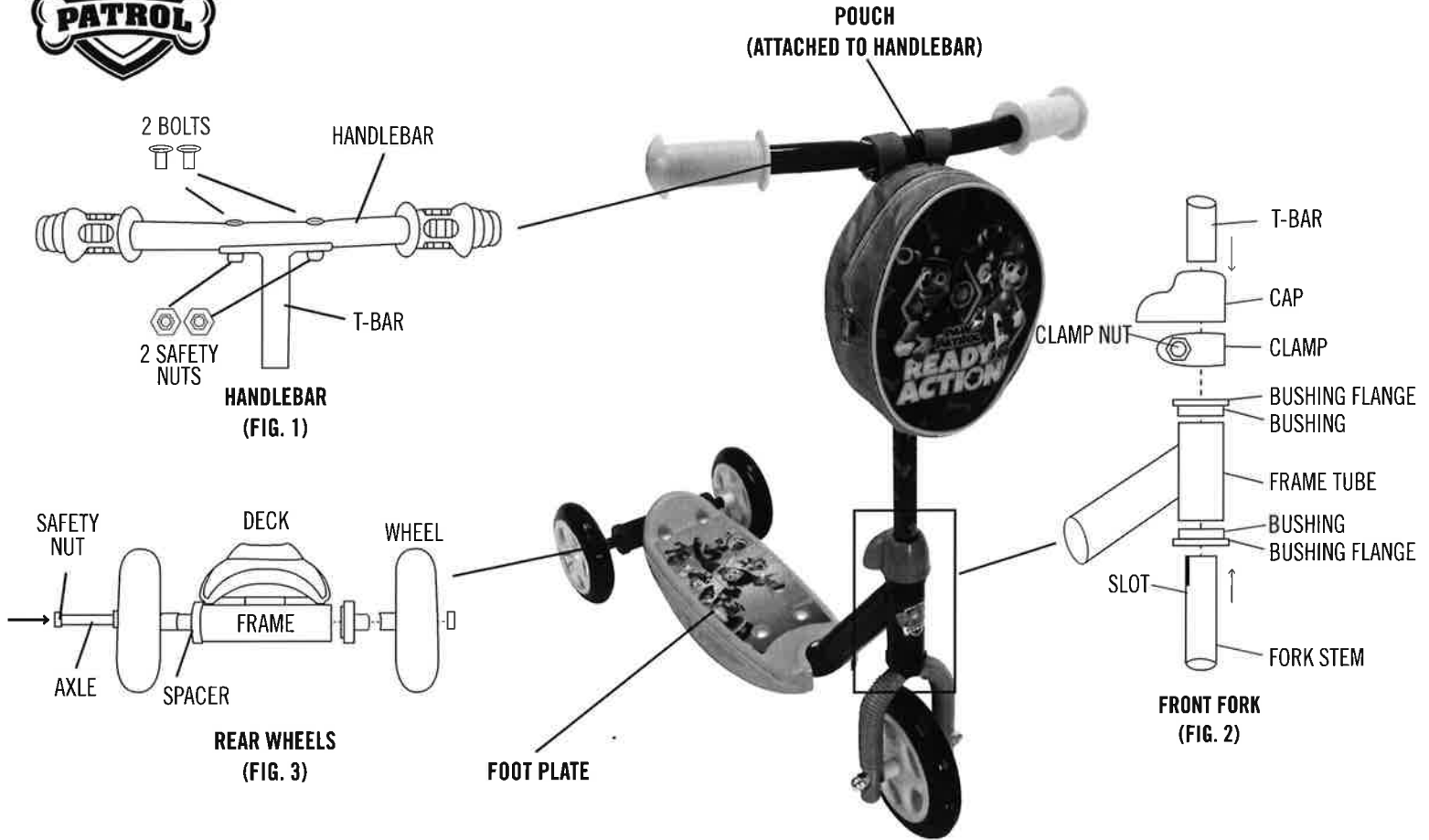




# 3-Wheel Scooter Instructions



2 ASSEMBLY TOOLS



2 SAFETY NUTS



2 REAR WHEEL SPACERS

## ASSEMBLY INSTRUCTIONS:

### HANDLEBARS:

- 1) Place handlebar (Fig. 1) onto T-bar and insert bolts into the holes on the top of the handlebar.
- 2) Install the 2 handlebar safety nuts onto the handlebar bolt threads and tighten evenly and securely.

### FORK:

- 1) Insert the two fork bushings into the frame tube (Fig. 2) ensuring that the flanges on the bushings are fully seated against the ends of the frame tube.
- 2) Slide the stem of the front fork up into the frame tube until the bushing flange is fully seated onto the fork stem.
- 3) Place the clamp onto the fork stem. ENSURE FORK STEM SLOT AND CLAMP BOLT FACE TOWARDS THE REAR (DECK) OF THE SCOOTER.
- 4) Slide cap onto T-bar and fully insert the handlebar T-bar into the fork stem tube and align handlebar with front wheel.
- 5) Secure the handlebars by tightening the clamp nut and ensure the nut is securely tightened to lock the handlebar.

### REAR WHEELS:

- 1) Slide axle (Fig. 3) into first wheel followed by the first rear wheel spacer.
- 2) Insert this assembly into the frame tube and slide second rear wheel spacer and then second rear wheel onto the axle.
- 3) Thread safety nut onto the axle and tighten with the enclosed wrenches. Ensure that hardware is tightened securely and wheels spin freely.

### MAINTENANCE:

Check and tighten all hardware before every ride. Scooter can be cleaned with a damp cloth.





# 3-Wheel Scooter Instructions

**IMPORTANT:**

Remove the scooter and all parts from the carton. Lay out all the parts and read the assembly instructions before assembling. Save all packaging material until assembly is completed.

**WARNING:**

**THIS SCOOTER DOES NOT HAVE A BRAKE. ALWAYS WEAR SAFETY EQUIPMENT INCLUDING A HELMET, SHOES, ELBOW PADS AND KNEE PADS WHILE RIDING.**

- Read the instructions carefully and assemble the scooter accordingly prior to use.
- This scooter requires assembly by an adult.
- Special care should be taken to instruct children in safe riding.
- CHILDREN MUST BE SUPERVISED BY AN ADULT WHILE RIDING THIS SCOOTER.
- Check and secure all fasteners before every ride.
- Ride only on smooth, level paved surfaces away from motor vehicles. Do not ride streets or roadways.
- Be sure the rider keeps both hands on the handlebars for proper control.
- Do not allow the rider to wear anything that obstructs hearing, visibility or function.
- Do not allow more than one rider on the scooter at a time.
- Do not allow the scooter to be operated on or near sloped driveways, alleys, hills, ditches, swimming pool areas, near steps, sand, gravel, dirt, leaves or any other hazardous area. Wet weather impairs traction, braking, and visibility.
- Avoid sharp bumps, drainage grates and sudden surface changes which may cause scooter to suddenly stop.
- Do not ride at night or times of limited visibility.
- Watch out for pedestrians and avoid excessive speed.
- Obey all local traffic and scooter riding laws and regulations.

**REPLACE ANY WORN OR BROKEN PARTS IMMEDIATELY  
TOOLS REQUIRED FOR PROPER ASSEMBLY:**

Box wrench (included)

**CAUTION:**

Caution and care must be taken during unpacking and assembly of this product. Due to small parts and packaging materials, adult assembly is required. Rider weight must not exceed 50 lbs. Recommended for children ages 3 and up. Check for broken or damaged parts regularly. Discontinue using if any damage is found. Do not allow more than one child to use this product at the same time.

Adult assembly required.



12801 Carmenita Road  
Santa Fe Springs, CA 90670  
(562) 484-5100 Main telephone  
(800) 327-0821 Customer Service Phone  
(562) 484-5192 Customer Service Fax

Do not ride at night.  
© 2015 Spin Master PAW Productions Inc. All Rights Reserved.  
PAW Patrol and all related titles, logos and characters are trademarks of Spin Master Ltd. Nickelodeon and all related titles and logos are trademarks of Viacom International Inc.

**WARNING!**  
REDUCE THE RISK OF SERIOUS INJURY AND ONLY USE WHILE WEARING FULL PROTECTIVE GEAR--HELMET, WRIST GUARDS, ELBOW PADS AND KNEE PADS.

**CAUTION:**  
**ASSEMBLY BY ADULT**

**WARNING:**  
**CHOKING HAZARD - Small parts.**  
Not for children under 3 years.