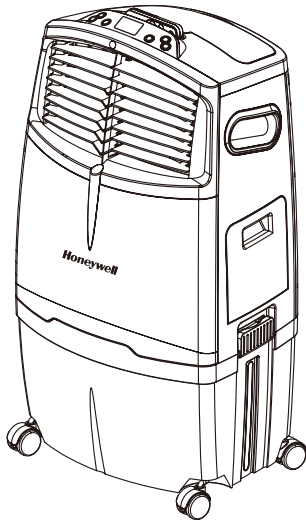


# Honeywell

---

Portable Evaporative Air Cooler  
for Outdoor, Indoor & Commercial Use  
Enfriador de aire portátil por evaporación  
Ideal para Uso Externo, Interno y Comercial



## OWNER'S MANUAL

Read and save these instructions before use

## MANUAL DEL USUARIO

Lea y guarde estas instrucciones antes de usar

**Model: CO30XE**  
**Modelo: CO30XE**

Power rating: 288 Watts

Potencia: 288W

Voltage rating: 120 Volt AC, 60Hz

Tensión: 120V~60Hz

For product inquiries or support, visit [www.honeywellaircoolers.com](http://www.honeywellaircoolers.com)  
Para consultas sobre productos o soporte técnico visite: [www.honeywellaircoolers.com](http://www.honeywellaircoolers.com)

---

Customer Support : 1-800-474-2147  
Centro de servicios al cliente: 1-800-474-2147

Made in China  
Fabricado en China

1



Fill with water and plug into a standard power outlet.

Note: Please make sure the household power voltage matches the product specifications.

2



Place near an open door or window.

Note : Evaporative air cooler requires cross ventilation.

3



Turn ON and enjoy the cooling breeze.

Note: Start with LOW speed and gradually increase to higher speed for optimum cooling performance.

Read all instructions carefully before setting up and operating the unit, and please keep this instruction manual for future reference. This manual is designed to provide you with important information needed to setup, operate, maintain, and troubleshoot your cooler. Failure to follow these instructions may damage and/or impair its operation and void the warranty.

SECTION	PAGE
1. THANK YOU .....	2
2. USER TIPS .....	3
3. SAFETY INSTRUCTIONS .....	5
4. PARTS DESCRIPTION .....	8
5. USE & OPERATION .....	9
Control Panel .....	9
Function Buttons .....	10
Low water alarm and cooler location .....	12
Room Cooling and Humidifying .....	13
Remote Control .....	14
Fill Water .....	15
6. CLEANING & MAINTENANCE .....	16
7. TROUBLESHOOTING GUIDE .....	18
8. TECHNICAL SPECIFICATIONS .....	20
9. ELECTRICAL WIRING DIAGRAM .....	20
10. SERVICE AND WARRANTY .....	21

# THANK YOU

Congratulations on your purchase of this versatile Honeywell Evaporative Air Cooler. For optimum cooling from your cooler, fill the water tank to maximum level and load ice inside the ice compartment before you turn on your air cooler.

## Cooler Location – Indoors (Important - Please Read!)

Place the cooler in front of an open door or window. Ensure that there is adequate cross-ventilation in the room by leaving a door or window open opposite the cooler.

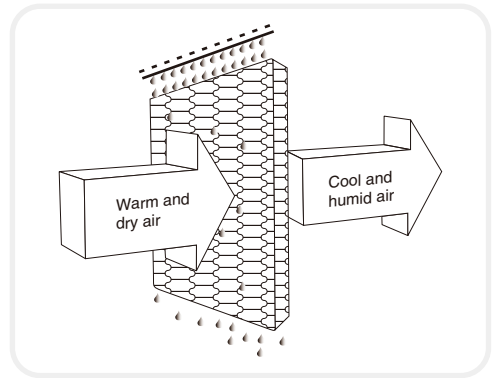
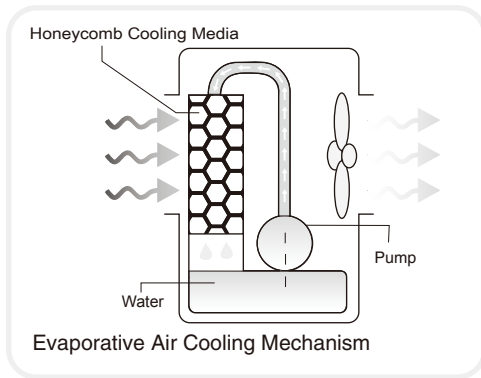
Following these guidelines will ensure your cooler will work as effectively as possible.

## Not an Air Conditioner (Important - Please Read!)

The evaporative air cooler is not an air conditioner as it does not use a compressor or refrigerant gas. It should not be expected to cool as efficiently as a refrigerated air conditioner.

## Energy Efficient, No Compressor

Honeywell Evaporative Air Coolers are built to maximize energy efficiency and keep costs low. Warm air is drawn into the cooler through the Honeycomb Cooling Media. Water pumped from the tank pours over the honeycomb media. As the warm air passes through the media, the water absorbs the heat, naturally cooling and humidifying the air. A fan propels the cooled air out into the room. This no-compressor system cools naturally, efficiently and inexpensively.



# USER TIPS

## Indoor Use

The recommended maximum relative humidity level is 60% or less, which allows a noticeable temperature decrease. The temperature decrease will be greater in drier climates because higher evaporation occurs when the humidity is low.

The evaporative air cooler should not be used in enclosed spaces. It must be kept level and there must be water in the water tank. The room should have doors and windows opened to allow free air flow. The evaporative air cooler works best when placed near an open window, so that outside air is drawn into the evaporative air cooler, the air circulates in the room, then exits via the door. The maximum cooling effect is felt when a person is in the flow of air coming out of the evaporative air cooler.

The evaporative air cooler can also be used to humidify dry air during cool weather. To be used for humidification the windows and doors should be closed to allow the humidified air to accumulate.

## Outdoor Use

Unit should be placed a minimum 10 inches away from any wall.

## NOTE

When the product is used for the first time the Honeycomb Cooling Media will have an odor which will dissipate in a few hours or so of initial use.



Room with open windows & door  
(RECOMMENDED)



Room with closed windows & door  
(NOT-RECOMMENDED)



## READ AND SAVE THESE INSTRUCTIONS:

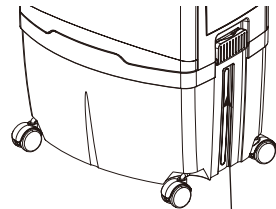
When using electrical appliances, basic safety precautions should always be followed:

- Your cooler runs on 120 Volt AC, 60 Hz current. Check the household voltage to ensure it matches the appliance's rate specification.
- Before operating the product remove it from its packaging and check that it is in good condition.
- DO NOT operate any product with a damaged cord or plug. We recommend not using an extension cord with this appliance.
- DO NOT run power cord under carpeting, or cover it with rugs or runners. Keep the cord away from areas where it may be tripped over.
- Always unplug the product before refilling the water tank.
- Always unplug the appliance from the power source before cleaning, servicing or relocating the unit.
- Remove the power cord from the electrical receptacle by grasping and pulling on the power cord plug-end only, never pull the cord.
- DO NOT use the product in areas where gasoline, paint or other flammable goods and objects are stored.
- When using the COOL setting, check the water tank to ensure that it is full. Operation of this cooler on the COOL setting with an empty tank may result in damage to the water pump.
- Warning: To reduce the risk of fire or electric shock, do not use this appliance with any solidstate speed control device.



120 Volt AC, 60 Hz

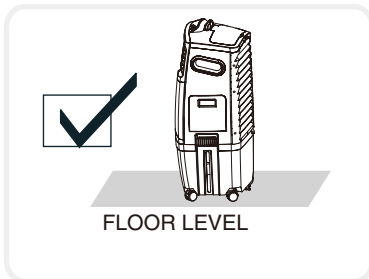
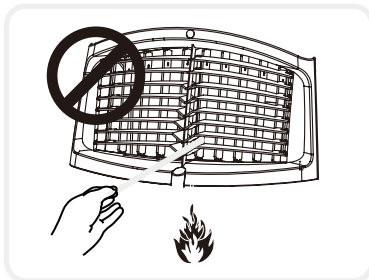
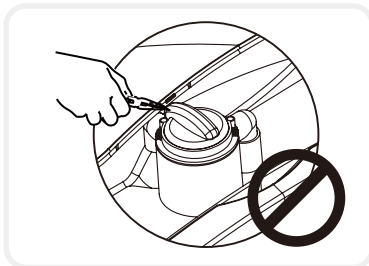
SHOCK HAZARD



WATER LEVEL INDICATOR

# SAFETY RULES

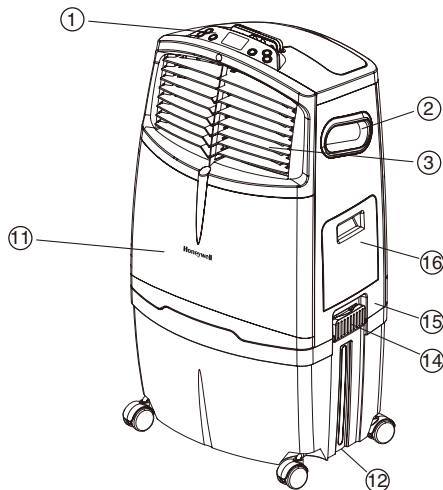
- DO NOT attempt to repair or adjust any electrical or mechanical functions of the cooler, as this may void the warranty.
- DO NOT cover the air inlet or outlet on the appliance as this may cause motor damage.
- DO NOT insert or allow objects to enter any ventilation or exhaust opening as this may damage the product and could cause electrical shock or fire.
- DO NOT operate with the Honeycomb media removed as this will overload and damage the motor.
- DO NOT leave the operating appliance unattended for any extended period of time.
- DO NOT let children play with this appliance, packaging or plastic bags.
- If the unit is damaged or if it malfunctions, do not continue to use it. Refer to the Troubleshooting Guide (page 18) and contact the service center.
- Place the unit on a level floor.
- This product is not intended for use in wet or damp locations.
- DO NOT use in bathrooms. Never locate the product where it may fall into a bathtub or other water container.
- Store in a dry area when not in use.
- This appliance is not intended for use by persons (including children or elderly) with reduced physical, sensory or mental capabilities, or lack of experience and knowledge, unless they have been given supervision or instruction concerning the use of the appliance by a person responsible for their safety.
- Always grip the side handles to move the cooler.



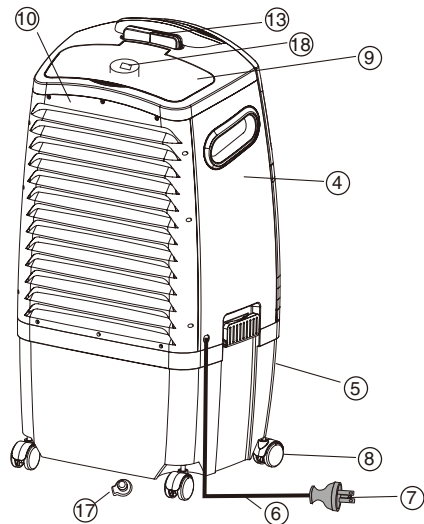
- Use Only on GFCI Protected Receptacles.
- Power cords have to be contained. If they must run along the ground, make sure every inch of them is secured so they will not be tripped over.
- The wiring and connections must be waterproof. Be sure the connections (to the air cooler) never get wet. Your unit is waterproof, but everything attached to it must be waterproof, too.
- Set up your unit so it cannot be tripped over or wobble loose. It must rest on a solid support.

Warning: To reduce the risk of fire or electric shock, do not use this appliance with any solidstate speed control device.

# PARTS DESCRIPTION



- 1 Control Panel
- 2 Handle
- 3 Louvers
- 4 Left Side Panel
- 5 Water Tank
- 6 Power Cord
- 7 Power Plug
- 8 Casters
- 9 Ice Compartment Lid



- 10 Back Grill
- 11 Front Panel
- 12 Water Level Indicator
- 13 Remote Control
- 14 Latch
- 15 Right Side Panel
- 16 Water Fill Door
- 17 Drain Plug
- 18 Water Regulator (under part 9)

## ACCESSORIES:

Remote Control (2 AAA Batteries not included)

## CONTROL PANEL



### Lighted Display Icons

 Low water level in tank

 Cool

 Speed

 Low speed

 Medium speed

 High speed


 Swing

 Time delay set

 Natural

## FUNCTION BUTTONS

### POWER

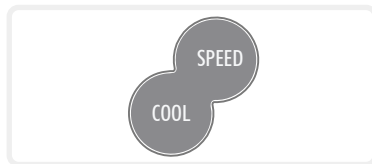
Press the  button to turn the unit on. To turn the unit off, press the button again. The cooler will start automatically at medium speed. After a few seconds the speed will switch to low.



### SPEED

Press the FAN or SPEED button repeatedly and the speed will change. The indicator light will show the selected speed.

Low Speed	
Medium Speed	
High Speed	



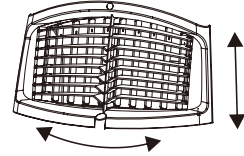
### COOL

To begin cooling the desired area press the COOL button. The indicator light will come on and the water pump will operate. You will feel the cooler air after the Honeycomb Cooling Media is completely wet.

## SWING

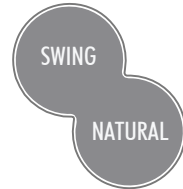
Press the SWING button. The indicator light will come on and the louvers will begin to move from right to left automatically. Manually adjust the horizontal louvers to change vertical airflow.

LOUVER MOVEMENT



## NATURAL

When the NATURAL button is pressed, the fan speed will change in between HIGH / MEDIUM / LOW / STOP to simulate a natural wind effect and will repeat the same cycle at every 24 seconds. When the NATURAL button is pressed, the symbol will illuminate in the display.



## TIMER

Press the TIMER button until the indicator light comes on to your desired timer. Once the set time has passed, the unit will automatically shut off. The Timer function allows you to program the unit for up to 8 hours of use.



## LOW WATER ALARM FUNCTION

The unit is equipped with a low water sensor. When water in the tank is below the minimum level, you will hear 10 beeps and the COOL indicator light will flash continuously. At the same time the power to the pump inside the unit will be cut off to protect the life of the pump.

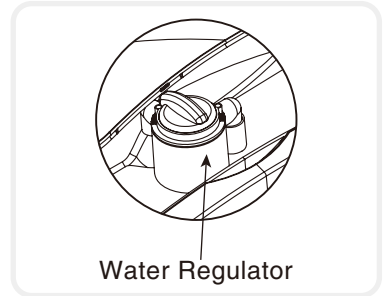
To disengage the alarm function, turn off and unplug the unit from the power outlet, and fill the tank with water above the minimum level.

To turn off the alarm function and continue to use it in FAN mode, turn off the unit and turn the unit on. If the COOL button is pressed again without filling the tank with water, the low water alarm will activate again.

## ROOM COOLING AND HUMIDIFYING

When the Water Regulator is set to MIN, the water pump distributes a minimal amount of water to the Honeycomb Cooling Media. This results in less water evaporation and reduces the effect.

When the Water Regulator is set to MAX, the water pump distributes the maximum amount of water to the Honeycomb Cooling Media. This results in maximum water evaporation and the cooling performance improves.



## REMOTE CONTROL

Power:	On / Off
Speed:	Low / Medium / High
Cool/Fan:	Controls cooling or fan option
Swing:	Controls the motion of the louvers
Timer:	Controls timer function for automatic shut off
Natural:	When the NATURAL button is pressed, the fan speed will change in between HIGH / MEDIUM / LOW / STOP to simulate a natural wind effect and will repeat the same cycle at every 24 seconds. When the NATURAL button is pressed, the symbol will illuminate in the display.



Remote Control (2 AAA Batteries not included)

### NOTE

- Open the battery compartment at the back of the remote control and insert two new AAA dry cell batteries. Care must be taken to insert the batteries according to the correct polarity (+ / -) markings shown inside the battery compartment.
- Always point the remote control signal transmitter towards the unit when operating.
- Make sure that the signal path is not obstructed.
- Remove the batteries if the unit is not going to be used for an extended period of time.
- Do not drop the remote control.
- Do not mix different types of batteries such as alkaline, carbon-zinc, or rechargeable batteries.
- Do not mix old and new batteries.
- Exhausted batteries are to be removed from the product.



**CAUTION**

**Unplug from power when refilling.**



## Filling With Water

Unplug the air cooler from power supply.

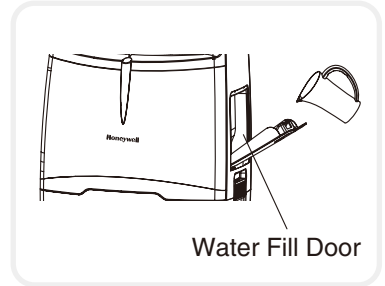
Check water level indicator located on the front of the unit to determine the level of water inside the water tank. The water tank of this cooler holds up to 8 gallons of water. Be sure water in the tank is always above the minimum water level mark.

To refill the water tank, open the Water Fill Door located below the right side panel and fill water to the Max Level, as indicated on the Water Level Indicator. Do not fill water above the Max water level mark.

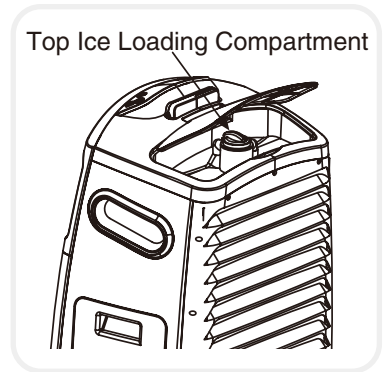
For better cooling performance, it is recommended to put ice cubes inside the ice compartment located on the top of the cooler.

After refilling the water tank and loading ice, close the water fill door, connect the power supply and turn on.

**Note :**  
Running the unit with inadequate water may cause pump failure.



Water Fill Door



Top Ice Loading Compartment

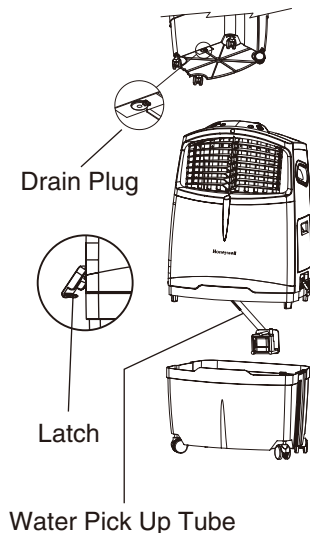
## WARNING

- Before cleaning the unit, switch it to the OFF position and remove the plug from the power socket.
- To clean the outside, use a damp cloth to remove dirt and dust.
- Never use corrosive elements or any chemicals to clean this product.
- When the product is not in use, store the unit in a dry place out of direct sunlight.



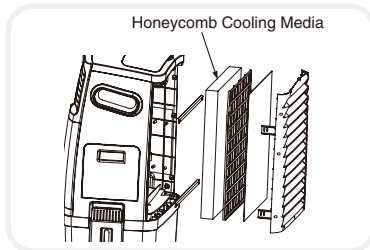
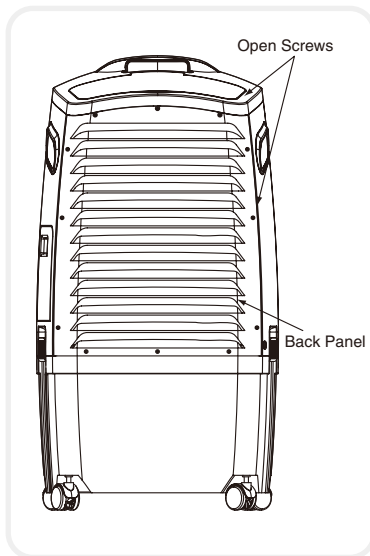
## DRAINING AND CLEANING THE WATER TANK

- Turn the power OFF and disconnect the air cooler from the power supply.
- Move the unit to a location where it can be drained. Remove the drain plug from the drainage tube and allow the tank to empty. (see parts description on page 8).
- Once the tank is empty, unlock the latches on both sides and lift off the cooler top section as shown in the figure and place it vertically on the floor. Be careful not to bend the water pickup tube that hangs below the unit.
- Refill the water tank with clean water and drain it completely.
- Clean the water tank with detergent or a damp cloth and rinse it thoroughly.
- Place the unit top carefully on the tank and lock the latches.
- Refill the water tank with clean water, up to the maximum level.
- The air cooler is now ready to be used. This cleaning process should be repeated weekly to maintain the integrity of the unit and to remove particles filtered from the air.



## CLEANING THE HONEYCOMB COOLING MEDIA

- The appliance is supplied with Honeycomb Cooling Media.
- The Honeycomb Cooling Media is located inside the back panel. Open the back panel by using a star screw driver to clean or replace the Honeycomb Cooling Media. It is recommended that the Honeycomb Cooling Media be replaced every year, depending on use and environment.
- Draining the water reservoir and refilling with fresh water at least once a week will greatly reduce mineral deposits in the pads and help to extend the life of Honeycomb Cooling Media.
- Do not run the unit in COOL mode with stale water in the tank. You must empty the water tank and refill with fresh water, especially if the tank has not been cleaned in a long time.
- The cleaning frequency for the Honeycomb Cooling Media depends on local air and water conditions. In areas where the mineral content of water is high, mineral deposits may build up on the Honeycomb Cooling Media and restrict air flow. Draining the water reservoir and refilling with fresh water at least once a week will help reduce mineral deposits. If mineral deposits remain on the Honeycomb Cooling Media, the media should be removed and washed under fresh water. The media should be cleaned every two months or sooner, depending on your needs.
- For best results allow the Honeycomb Cooling Media to dry after each use by turning off the cool function 15 minutes before turning the unit off.



# TROUBLESHOOTING GUIDE

PROBLEM	POSSIBLE CAUSE	SOLUTION
No discharge of air	Cord is not plugged in.	Make sure power cord is plugged in and the supply switch is on.
	Power is not on.	Turn the unit ON by pressing button on the control panel.
Not Cooling / Unit is making noise	Pump is not turned ON.	On Control Panel, turn COOL FUNCTION to ON.
	Low or no water in tank, when COOL is selected.	Refill water tank.
	Damaged Pump or Calcium deposits on blower.	Contact service center.
Odors	When the Cooler is new.	When the unit is used for the first time, the Honeycomb Cooling Media will have an odor, which will dissipate within a few hours of initial use.
	If the Cooler has been used.	There may be an algae issue. Replace the Honeycomb Cooling Media.

Customer Support: 1-800-474-2147

PROBLEM	POSSIBLE CAUSE	SOLUTION
The unit does not respond	Remote control batteries.	Check batteries. Replace if needed. Try to operate using the control panel.
	Damaged Control Panel.	<p>Try activating with the Remote Control. If the unit responds, then it may be the Control Panel that is experiencing problems. Contact Customer Service Center.</p> <hr/> <p>If neither Remote Control nor Control Panel works - contact Customer Service Center.</p>

# TECHNICAL SPECIFICATIONS

MODEL NO.

CO30XE

Voltage	120V~
Frequency	60Hz
Wattage	288 Watts
Water Tank Capacity	8 Gallons
Cooling Media	Honeycomb
Product Dimension	18(W) x 13.9(D) x 33.7(H) inch
Net Weight	24.9 lbs

## ELECTRICAL WIRING DIAGRAM

