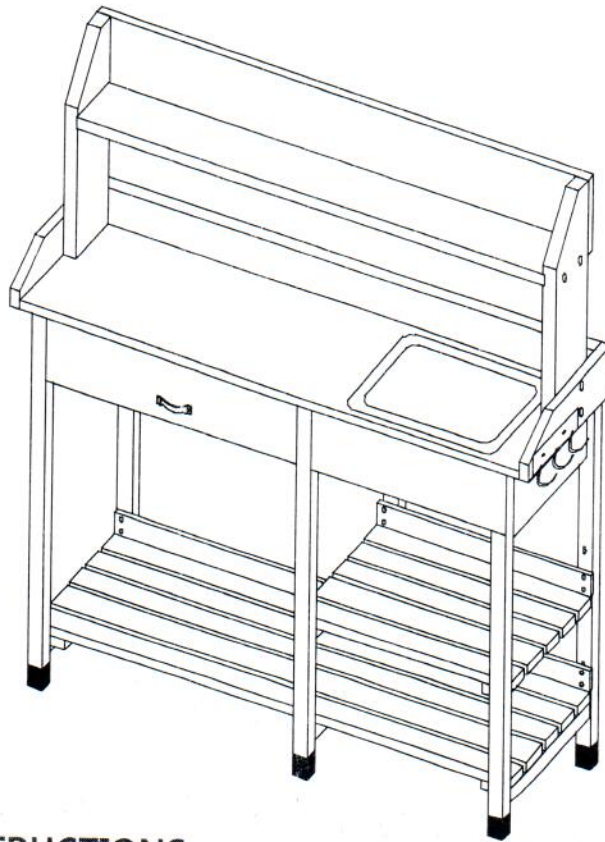


# CONVENIENCE CONCEPTS

## DELUXE POTTING BENCH G10458, G10458N



### ASSEMBLY INSTRUCTIONS

---

We have designed our furniture with you , the customer in mind . Our clear , easy to follow , step by step instructions will guide you through the project from start to finish . Feel confident that this will be a fun and rewarding project . The final product will be a quality piece of furniture that will go together smoothly and give years of enjoyment .

---








Please do not return to the store

. Broken or missing parts?

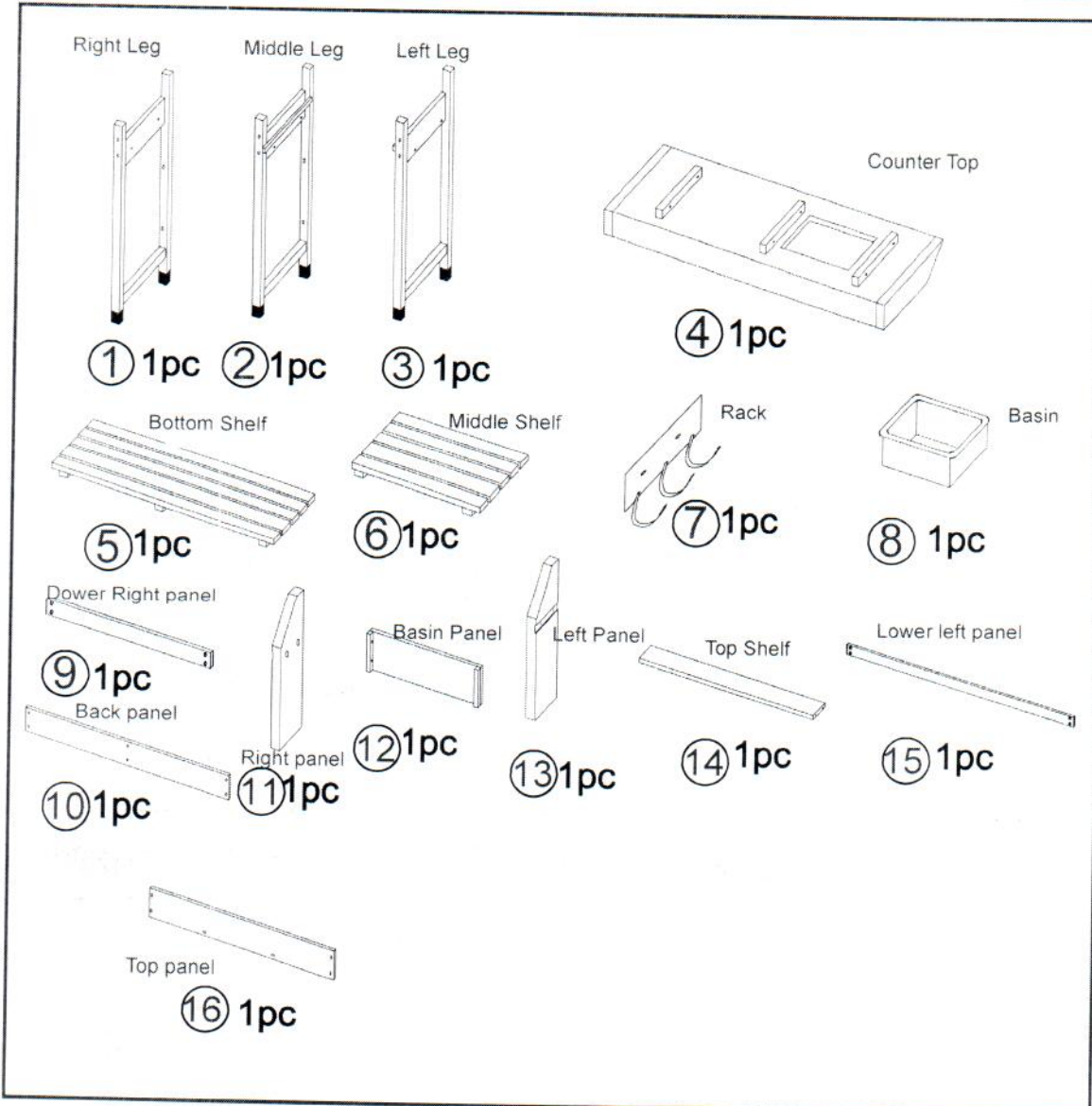
. Need help with assembly?

If you have any questions just call 1-800-468-6447 or email us at [parts@convenience-concepts.com](mailto:parts@convenience-concepts.com)

## Hardware List

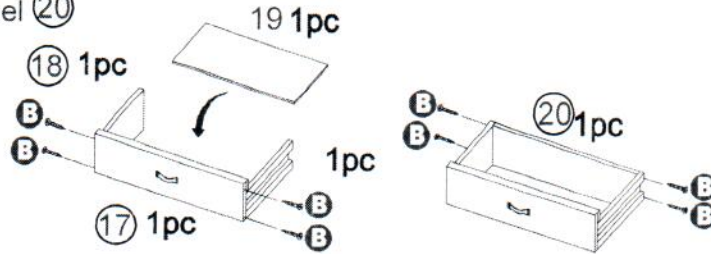
Bolt, Nut, Washer	<b>A</b>	<b>a</b>		.. 12 PCS
Large Screw	<b>B</b>	<b>b</b>		.. 40 PCS
Medium Screw	<b>C</b>	<b>c</b>		.. 4 PCS
Short Screw	<b>D</b>	<b>d</b>		.. 2 PCS
Dowel	<b>E</b>	<b>e</b>		.. 4 PCS

## Panel List



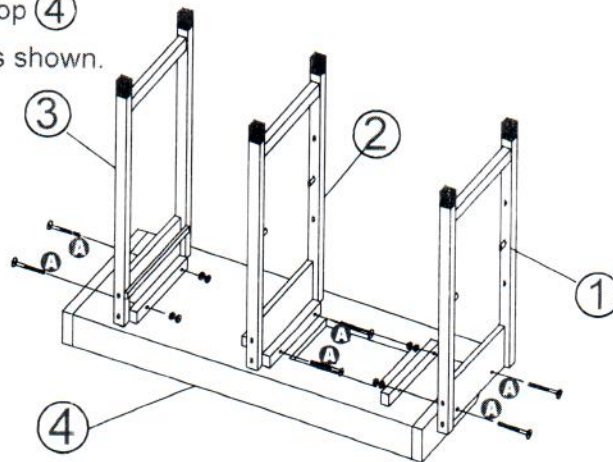
### Step 1

1. Connect Drawer Side Panels (18) to Drawer front panel (17) using Screws (B).
2. Slide Drawer Bottom Panel (19) to unit as shown.
2. Attach Drawer back panel (20) to unit as shown.



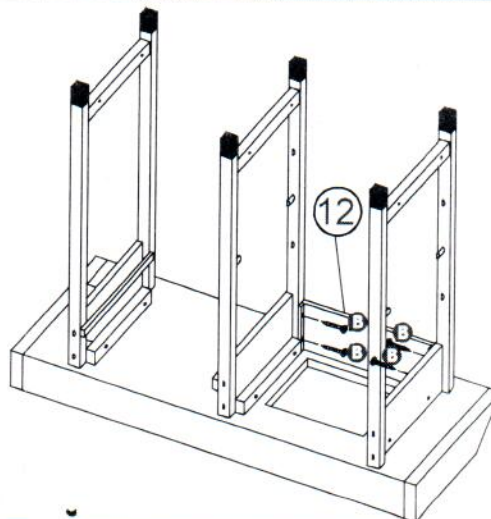
### Step 2

- Attach Legs (1) (2) (3) to Counter Top (4) using Bolts, Nuts and Washers (A) as shown.



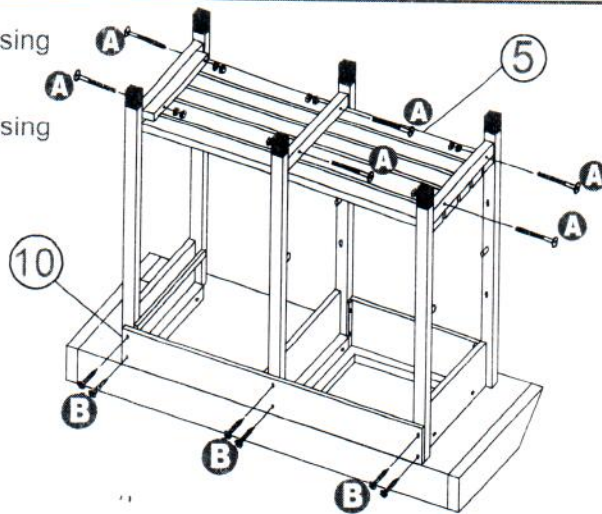
### Step 3

- Attach Basin Panel (12) to unit with Large Screws (B).



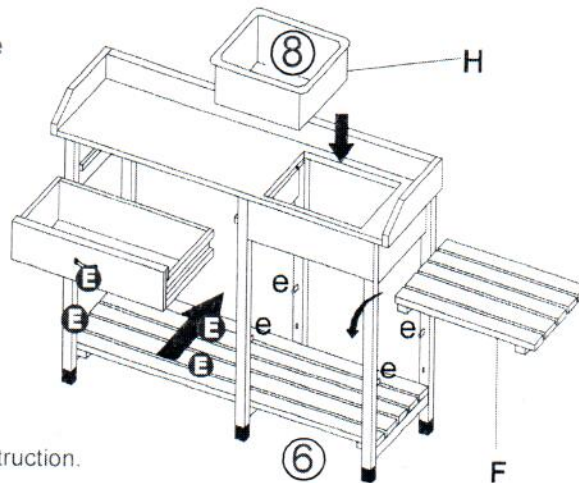
### Step 4

1. Attach Bottom Shelf (5) to unit using Bolts, Washers & Nuts as shown.
2. Attach Back Panel to Assembly using Large Screw as shown.



### Step 5

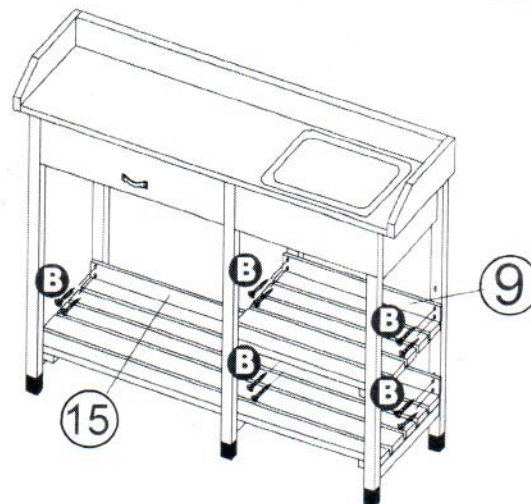
1. Slide Drawer into unit.
2. Insert Dowels (E) into unit and place Middle Shelf (6) onto unit as shown.
3. Place Basin into assembly.



NOTE:  
Refer to page 3 for drawer assembly instruction.

### Step 6

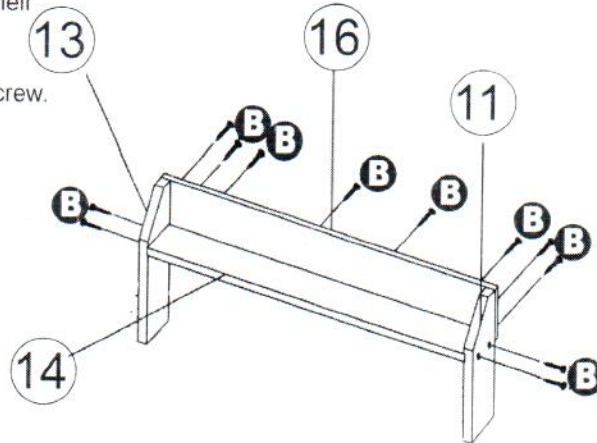
Attach Lower Left Panel (15) and Lower Right Panel (9) to unit using Large Screw (B).



### Step 7

1. Connect Right Panel, Left Panel & Top shelf using Large Screw **B**.

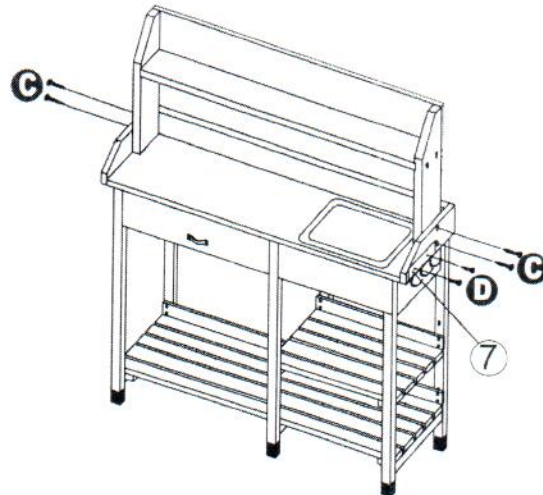
2. Connect Top Panel to unit using Large Screw.



### Step 8

1. Fasten Assembly to unit using Medium Screw **C** as shown.

2. Connect Rack to unit using Short Screw **D**.



### Step 9

Done.

