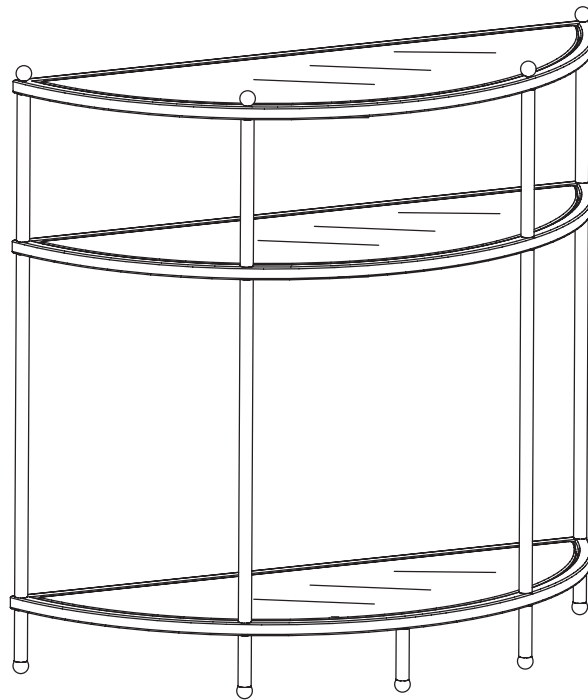


CONVENIENCE CONCEPTS

Royal Crest Entryway Table

134077



THANK YOU FOR YOUR ORDER!

ENCLOSED PLEASE FIND A POLISHING CLOTH FOR YOUR USE TO CLEAN THE RESIDUE FROM THE FINE OIL USED IN PRODUCTION OF THIS CHROME PRODUCT.

PLEASE ALSO CALL US IF YOU HAVE ANY QUESTIONS.

ASSEMBLY INSTRUCTIONS

We have designed our furniture with you , the customer in mind . Our clear , easy to follow , step by step instructions will guide you through the project from start to finish .

Feel confident that this will be a fun and rewarding project . The final product will be a quality piece of furniture that will go together smoothly and give years of enjoyment .

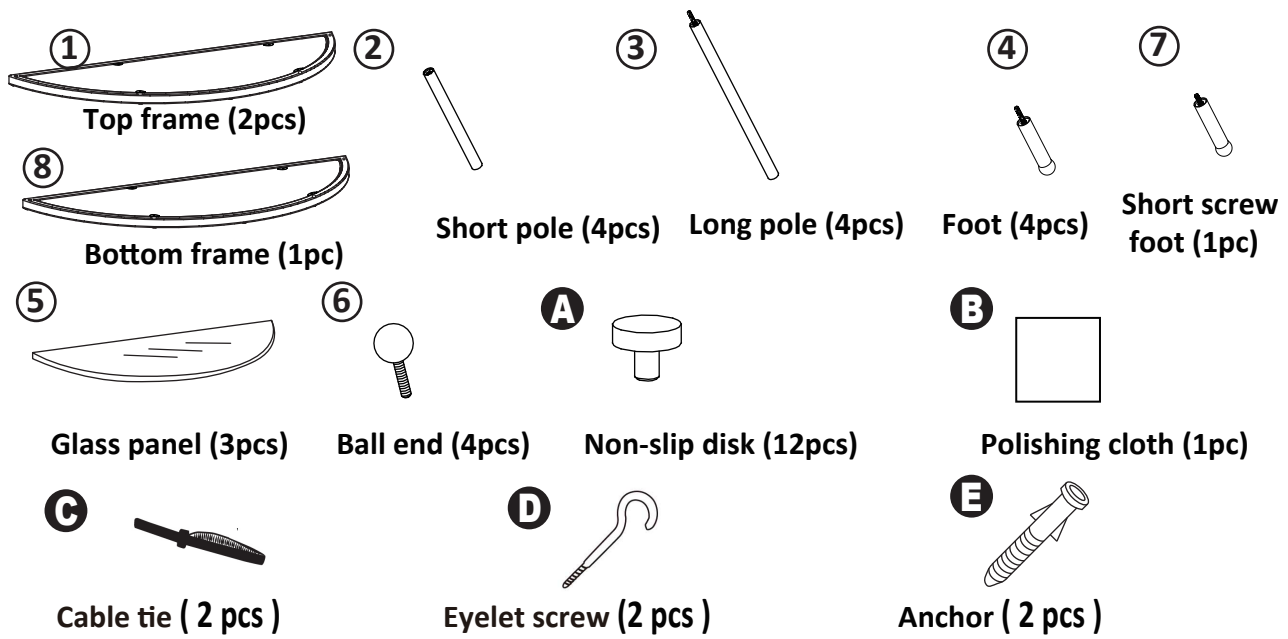


Please do not return to the store

Broken or missing parts?

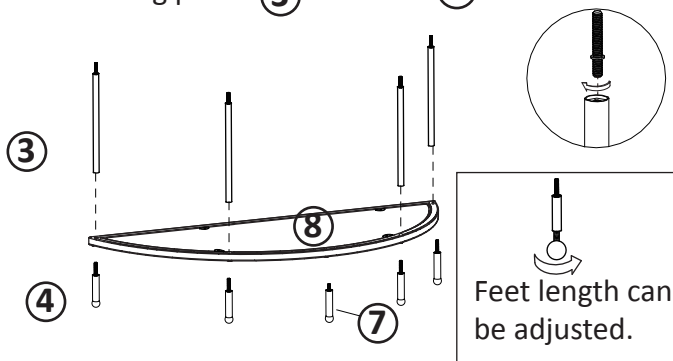
Need help with assembly?

If you have any questions just call 1-800-468-6447 or email us at parts@convenience-concepts.com



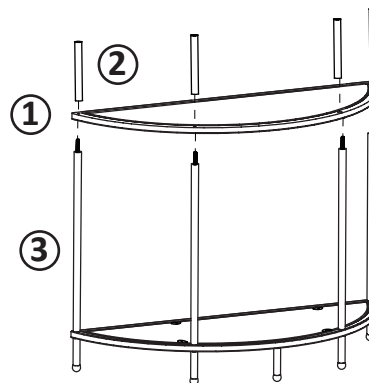
Step1

1. Make sure all bolts in feet (4) & (7) and long poles (3) are fully screwed in. (As shown in blowup).
2. Place bottom frame (8) onto feet (4) & (7).
3. Screw long poles (3) into feet (4).



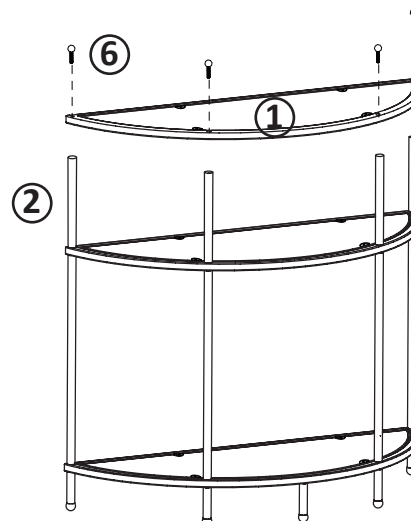
Step2

1. Place second frame (1) onto unit and screw short poles (2) into long poles (3) as show.



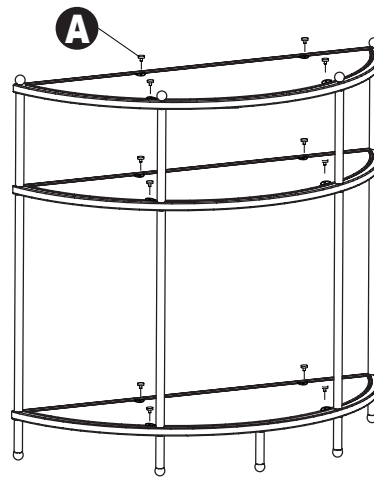
Step3

1. Place final frame (1) onto unit and screw ball ends (6) into short poles (2).



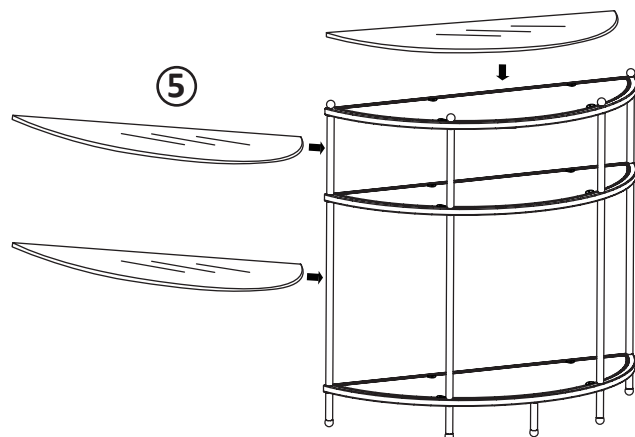
Step4

Place non-slip disks (A) into assembly as shown to support glass shelf.



Step5

1. Retighten all poles, feet and ball ends .
2. Using a slight angle carefully insert glass panels (5) into unit.



Step6

1. Drill holes slightly smaller than anchors (E) into drywall and gently tap anchors into holes.
2. Insert eyelet screws (D) into anchors and fasten unit to wall using cable ties (C).

