

USE AND CARE GUIDE

2 SEAT GARDEN SWING

Product Code: 0-08792507-9

UPC Code: 095457842242

Date of Purchase: ____/____/____

Thank you for your purchase

Thank you for your purchase!

We are pleased that you have chosen Kmart for your outdoor furniture purchase. We hope that you enjoy the unmatched quality, comfort, and style of your new patio set. Every piece is meticulously considered all the way down to the smallest details, exclusively for you, by our world class design team. We know you have a choice when it comes to your patio furniture needs, so from our team to yours, thank you for letting us be a part of your outdoors.

Table of Contents

Table of Contents	2
Safety Information	3
Set Up your Furniture Properly.....	3
Examine your furniture.....	3
Warranty	4
What is Covered.....	4
What is Not Covered.....	4
Care and Maintenance	4
Pre-Assembly.....	5
Planning Assembly.....	5
Hardware Included.....	5
Observe weight Limits.....	5
Package Contents.....	6
Assembly Instructions	7
Customer Service.....	8

Safety Information

SET UP YOUR FURNITURE PROPERLY

- Ensure that all parts are assembled properly and fully tightened as per the instructions.
- When placing in the desired location, ensure that all legs are resting on the same surface. you may adjust the legs levelers as required to ensure that the item stands in a rigid position.

EXAMINE YOUR FURNITURE

- Examine occasionally to ensure that there are no loose parts. If loose parts are found, they must be retightened fully before additional use.

Warranty

1 YEAR WARRANTY FOR FRAME, RESIN WEAVE AND CUSHIONS

WHAT IS COVERED

We warrant to the original purchaser for one year, from the date of purchase, that the frame, resin weave and cushions will be free from manufacturing defects. This warranty also covers peeling, crackling, blistering, discoloration, or fading for this one year period.

WHAT IS NOT COVERED

It remains the customer's responsibility for freight and packaging charges to and from our service center. This warranty does not cover commercial use, acts of nature, fire, freezing, and abusive use. Discoloration or fading of the finish or fabrics as a result of chemicals or spills is not covered. Glass tabletop breakage and corrosion or rusting of hardware are not covered. In addition, purchased parts are not covered under this warranty. Proof of purchase (dated register receipt) is required for warranty claims. We reserve the right to make substitutions with similar merchandise, if the model is no longer in production. Warranty is to the original purchaser and is not transferable. As some states do not allow exclusions or limitations on an implied warranty, the above exclusions and limitations may not apply. This warranty gives you specific rights, and you may also have other rights, which vary from state to state.

WARRANTY

This limited warranty is extended to the original purchaser and applies to defects in material and workmanship of your Patio furniture, provided your furniture is maintained with care and used only for personal, residential purposes.

Resin wicker is warranted to be free from defects in material or workmanship for a period of one (1) year.

Warranty

Cushions are covered for a period of one (1) year against defects in material or workmanship.

Frames are warranted to be free from defects in material or workmanship for a period of one (1) year.

Exclusions: items used for commercial, contract, or other non-residential purposes, or items damaged due to acts of Nature, vandalism, misuse, or improper assembly is not covered. Discoloration and fading of the finish or fabrics as a Result of chemicals or spills are not covered. Glass table top breakage and corrosion or rusting of hardware are not covered. If within the stated warranty period, this product is found to be defective in material or workmanship, the Purchaser must contact the customer service department at. The manufacturer, at its option, will repair Or replace the defectives parts. Proof of purchase (date register receipt) is required for warranty claims. It remains the customer's responsibility to pay for freight and packing charges to and from the service center. Warranty is to The original purchaser and is non-transferable. Any replacement of warranted items will be in the original style and Color, or a similar style and color if the original is unavailable or has been discontinued. As some states do not allow exclusions or limitations on an implied warranty, the above exclusions and limitations may not apply. This warranty Gives you specific rights, and you may also have other rights, which vary from state to state.

Care instructions: protecting furniture from the elements, when not in use is highly recommended. Wipe frame With a lightly damp cloth and dry completely, do not use bleach or solvents. Wash cushions with mild solution Of soap and water, rinse thoroughly. Do not machine wash.

Customer service 1-800-585-9969

Care and Maintenance

- Wash the frame with a mild solution of soap and water, rinse with clean water and dry thoroughly.
- Cushions may also be cleaned by hand with a mild solution of soap and water. Rinse the cushion cover thoroughly and allow to drip dry. The back cushion and pillow should be spot cleaned with a soft cloth. Do not machine wash or tumble dry as cushions may shrink. Do not use bleach or solvents on fabrics. Never use cleaners that contain acid or abrasive Materials.
- Use and operation: To improve the life span of this furniture, cover when not use and store in a dry place in the off season.

Pre-Assembly

PLANNING ASSEMBLY

To prevent damage, place all parts on a soft surface during assembly. Remove all protective caps before beginning assembly. It takes about 90 minutes for two person to complete all the assembly.

OBSERVE WEIGHT LIMITS

The recommended weight limits for the following products are listed below:

- Swing: 400 lbs

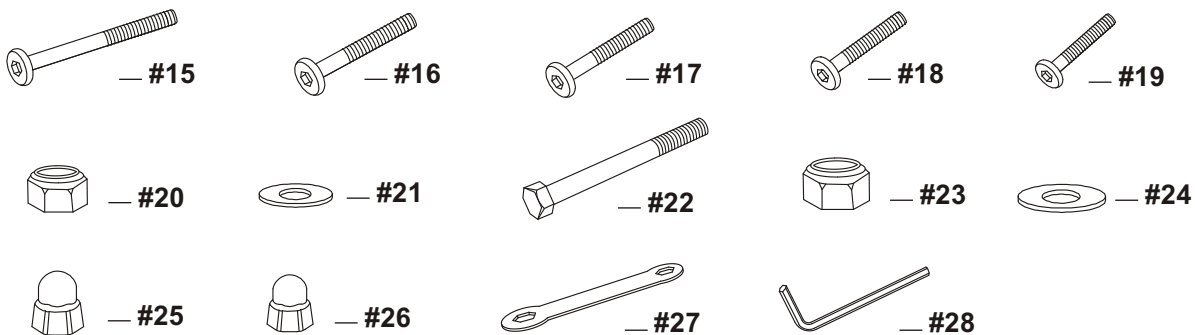


CAUTION: If you overload your furniture, injuries can occur.

HARDWARE INCLUDED



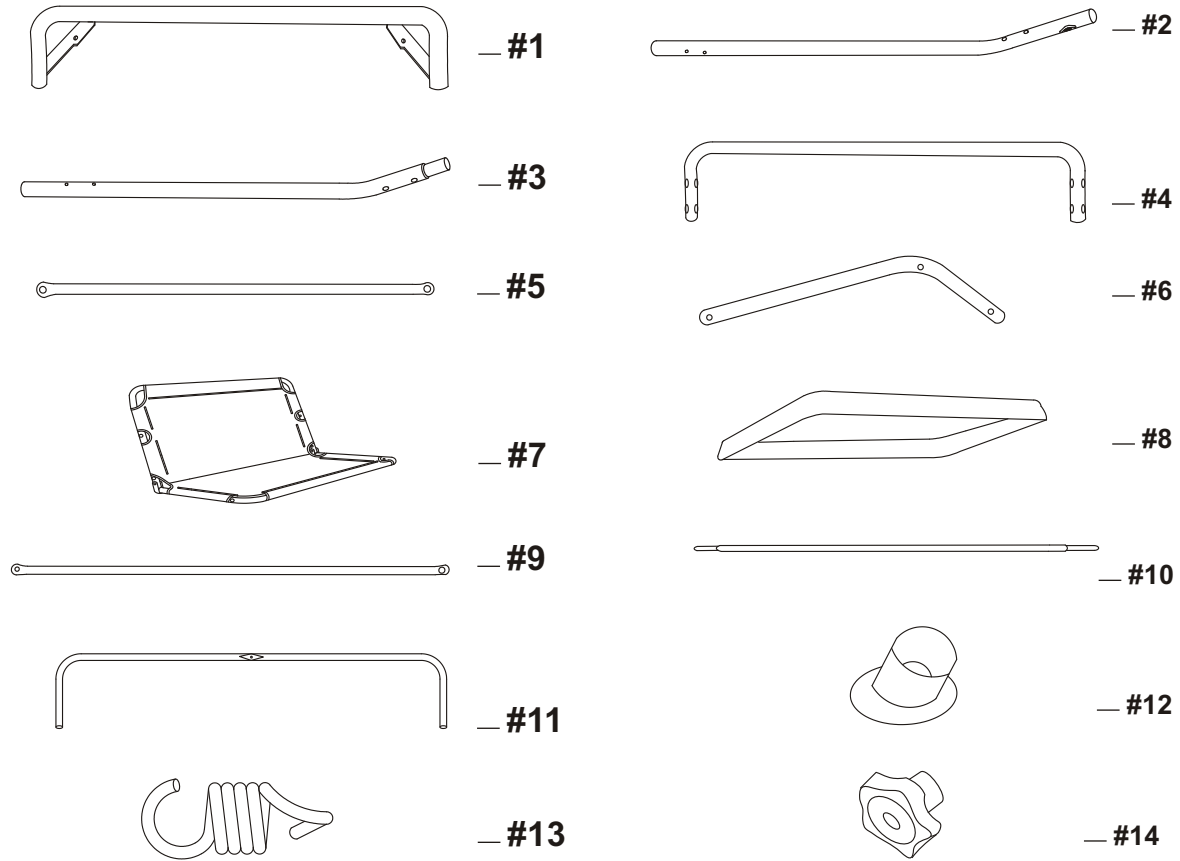
NOTED: Hardware not shown to actual size.



PART	DESCRIPTION	QUANTITY
#15	5/16"x75mm	4
#16	1/4"x65mm	4
#17	5/16"x62mm	4
#18	1/4"x45mm	4
#19	5/16"x42mm	2
#20	1/4"	8
#21	1/4"	16
#22	5/16"x76mm	2
#23	5/16"	10
#24	5/16"	20
#25	5/16"	10
#26	1/4"	8
#27	Wrench	1
#28	Allen Wrench	1

Pre-Assembly (continued)

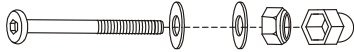
Package Contents



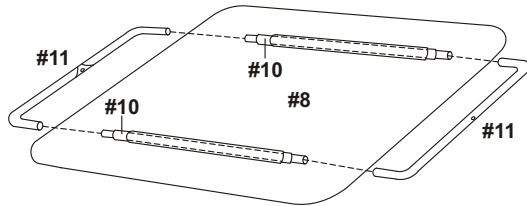
PART	DESCRIPTION	QUANTITY
#1	Top Cross Bar	1
#2	Front Leg Tube	R1/L1
#3	Back Leg Tube	2
#4	Rear Brace	1
#5	Side Tube	2
#6	Armrest	2
#7	Seat	1
#8	Canopy	1
#9	Seat Swing Arm	4
#10	Canopy Frame	2
#11	Canopy Side Frame	2
#12	Foot	4
#13	Hook	2
#14	Adjustment Knob	2

Assembly Instructions

CAUTION: Tube is put in-between washers as left figure. The small washer #21 is for bolts #16 and #18, big washer #24 is for bolts

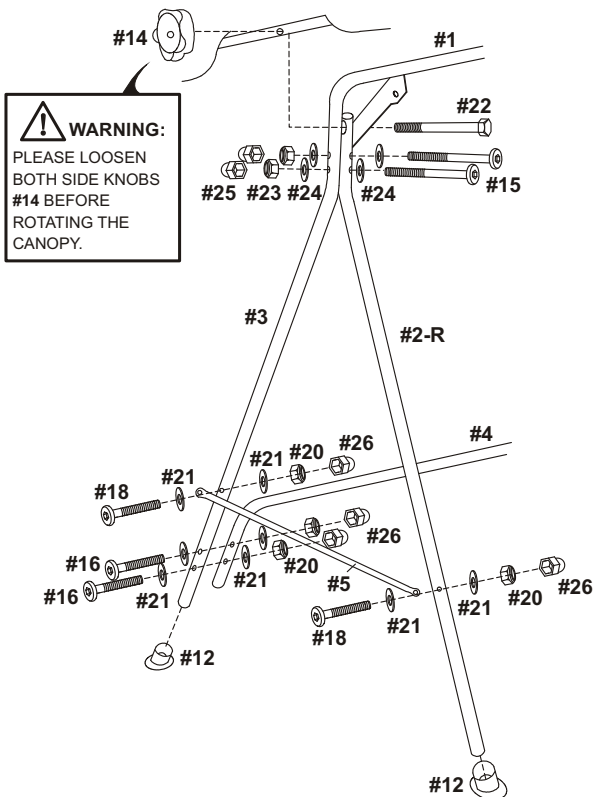


1. CANOPY ASSEMBLY



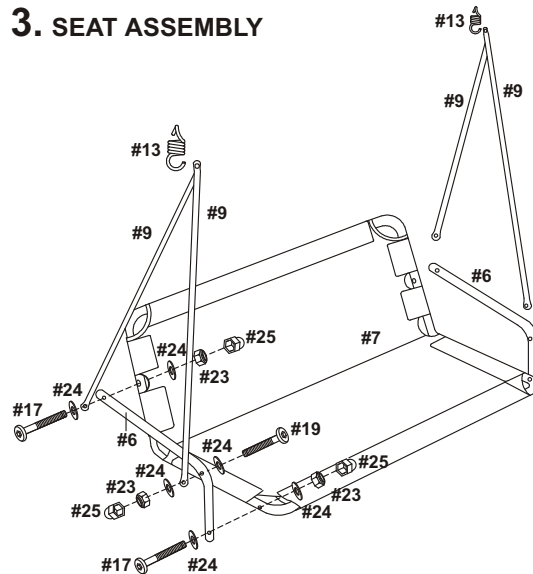
1. Insert tubes #10 into the sleeves of the canopy

2. MAIN FRAME ASSEMBLY



1. Bring the top end of leg tube #2-R and #3 together using two 75mm bolts #15, four washers #24 and two nuts #23. Do not tighten the bolts and nuts. Repeat for the other side #2-L. Attach tube #1 at both ends to top end of leg tubes #3 and tighten the bolts and nuts. (See Fig. 2)
2. Attach rod #5 to leg tube #2-R and #3 using two 45mm bolts #18, four washers #21 and two nuts #20. Attach tube #4 to leg tube #3 using two 65mm bolts #16, four washers #21 and two nuts #20. Repeat for the other side. (See Fig. 2)

3. SEAT ASSEMBLY

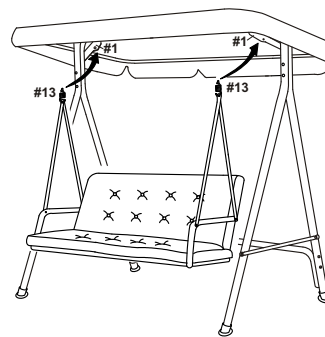


1. Open seat #7. Attach tube #6 to seat frame using a 62mm bolt #17, two washers #24 and a nut #23. Attach tube #9 and tube #6 to back frame using a 62mm bolt #17, two washers #24 and a nut #23. Attach tube #9 to the bend of tube #6 using a 42mm bolt #19, two washers #24 and a nut #23 (bolt #19 point outside). (See Fig. 3)
2. Hook spring #13 at the top of both tubes #9 together.
3. Repeat for the other side.

FINAL STEP

1. Hang the seat assembled on both sides to the corner bracket of tube #1 using the hooks #13.
2. Use plastic plugs #12 to four tubes end as per drawing. Then put the plastic nut caps #25 to nuts #23, caps #26 to nuts #20. (See Fig. 2)
3. Place the cushion on the seat frame.

Your swing is now ready to use.



TIGHTEN BOLTS COMPLETELY AND VERIFY THAT ALL PARTS ARE SECURELY FASTENED BEFORE USE.

CAUTION!
Injury may result if the bolts are not securely fastened. Tighten the bolts frequently.



SHINCREST PTE., LTD.

TSY Services, LLC.



HOME OFFICE: 13033 Arctic Circle, Santa Fe Springs, CA 90670

FAX: (562)376-8364

CUSTOMER SERVICE HOT LINE: 1-800-585-9969

SERVICE HOURS: MONDAY - FRIDAY 8:30 AM - 4:30 PM (EST)

E-MAIL: service@tsyservices.com



Please refer to part numbers when reordering

For questions or comments about product:

Call toll-free: 1-800-585-9969 Monday-Friday 8:30AM-4:30PM (Pacific Time)

Email: service@tsyservices.com

Made in / Hecho en TAIWAN for Kmart Corporation, Hoffman Estates, IL 60179

See our extensive assortment of outdoor living products

on-line at www.sears.com and www.kmart.com