

# CRAFTSMAN®

Product questions or problems?

## 1-888-331-4569

### Customer Care Hot Line

Get answers to questions, troubleshoot problems,  
order parts, or schedule repair service.

Para respuestas a preguntas o problemas, y ordenar  
piezas o pedir servicio para la reparación de su equipo.

To help us help you, register your product at [www.craftsman.com/registration](http://www.craftsman.com/registration)

Para poderte ayudar mejor, registra tu producto en [www.craftsman.com/registration](http://www.craftsman.com/registration)

Join the Craftsman Club today!

## CRAFTSMAN® CLUB

[www.craftsman.com/signup](http://www.craftsman.com/signup)

Receive exclusive member benefits including special pricing and offers,  
project sharing, expert advice, and SHOP YOUR WAY REWARDS!

Como miembro exclusivo, recibe diversos beneficios como ofertas, precios especiales, proyectos  
nuevos, consejos de expertos y nuestro programa de puntos SHOP YOUR WAY REWARDS!

® Registered Trademark / ™ Trademark of KCD IP, LLC in the United States, or Sears Brands, LLC in other countries  
® Marca Registrada / ™ Marca de Fábrica de KCD IP, LLC en Estados Unidos, o Sears Brands, LLC in otros países

## Repair Parts Manual

# CRAFTSMAN®

## LAWN TRACTOR

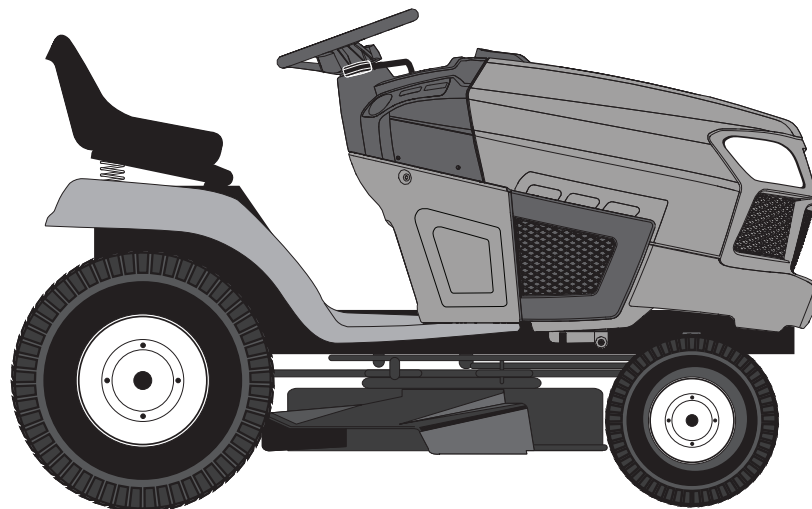
20.0 HP,\* 42" Mower

Electric Start

Automatic Transmission

Model No.

**917.273980**



For answers to your questions  
about this product, call:

**1-888-331-4569**

**Craftsman Customer Help Line**

Sears Brands Management Corporation, Hoffman Estates, IL 60179 U.S.A.  
Visit our Craftsman website: [www.craftsman.com](http://www.craftsman.com)

## 115865427

\* The power rating as declared by the engine manufacturer is the average gross power output at the specified RPM of a typical production engine for the engine model measured using SAE Standards for engine gross power. Please refer to the engine manufacturer for details.

**⚠ WARNING:** This tractor is equipped with an internal combustion engine and should not be used on or near any unimproved forest-covered, brush-covered or grass-covered land unless the engine's exhaust system is equipped with a spark arrester meeting applicable local or state laws (if any). If a spark arrester is used, it should be maintained in effective working order by the operator.

In the state of California the above is required by law (Section 4442 of the California Public Resources Code). Other states may have similar laws. Federal laws apply on federal lands. A spark arrester for the muffler is available through your nearest Sears service center (See ENGINE ASSEMBLY section of this manual).

## REPAIR PROTECTION AGREEMENTS

Congratulations on making a smart purchase. Your new Craftsman® product is designed and manufactured for years of dependable operation. But like all products, it may require repair from time to time. That's when having a Repair Protection Agreement can save you money and aggravation.

*Purchase a Repair Protection Agreement now and protect yourself from unexpected hassle and expense.*

Here's what's included in the Agreement:

- **Expert service** by our 12,000 professional repair specialists.
- **Unlimited service and no charge** for parts and labor on all covered repairs.
- **Product replacement** if your covered product can't be fixed.
- **Discount of 25%** from regular price of service and service-related parts not covered by the agreement; also, 25% off regular price of preventive maintenance check.
- **Fast help by phone** – phone support from a Sears representative on products requiring in-home repair, plus convenient repair scheduling.

Once you purchase the Agreement, a simple phone call is all that it takes for you to schedule service. You can call anytime day or night, or schedule a service appointment online.

Sears has over 12,000 professional repair specialists, who have access to over 4.5 million quality parts and accessories. That's the kind of professionalism you can count on to help prolong the life of your new purchase for years to come. Purchase your Repair Protection Agreement today!

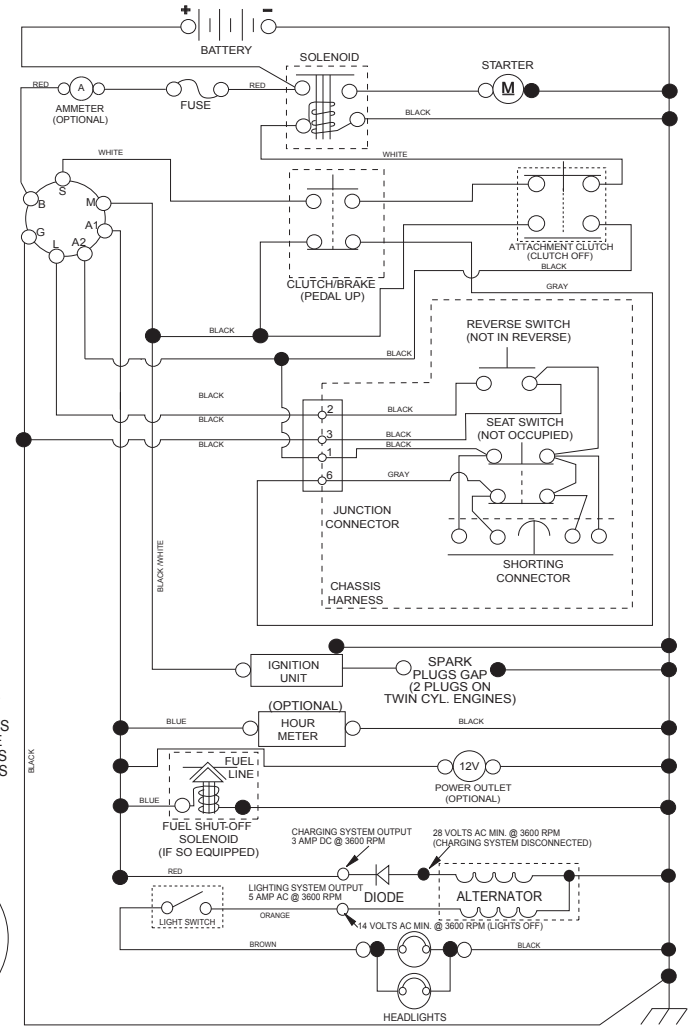
**Some limitations and exclusions apply.**

**For prices and additional information call 1-800-827-6655.**

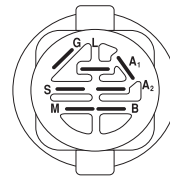
## SEARS INSTALLATION SERVICE

*For Sears professional installation of home appliances, garage door openers, water heaters, and other major home items, in the U.S.A. call 1-800-4-MY-HOME®.*

SCH11

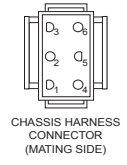


**NOTE**  
 YOUR TRACTOR IS EQUIPPED WITH A SPECIAL ALTERNATOR SYSTEM. THE LIGHTS ARE NOT CONNECTED TO THE BATTERY, BUT HAVE THEIR OWN ELECTRICAL SOURCE. BECAUSE OF THIS, THE BRIGHTNESS OF THE LIGHTS WILL CHANGE WITH ENGINE SPEED. AT IDLE THE LIGHTS WILL DIM. AS THE ENGINE IS SPEEDED UP, THE LIGHTS WILL BECOME THEIR BRIGHTEST.

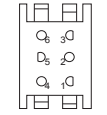


**IGNITION SWITCH**

POSITION	CIRCUIT	"MAKE"
OFF	M+G+A1	
RUN/OVERRIDE	B+A1	
RUN	B+A1	L+A2
START	B + S + A1	

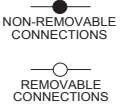


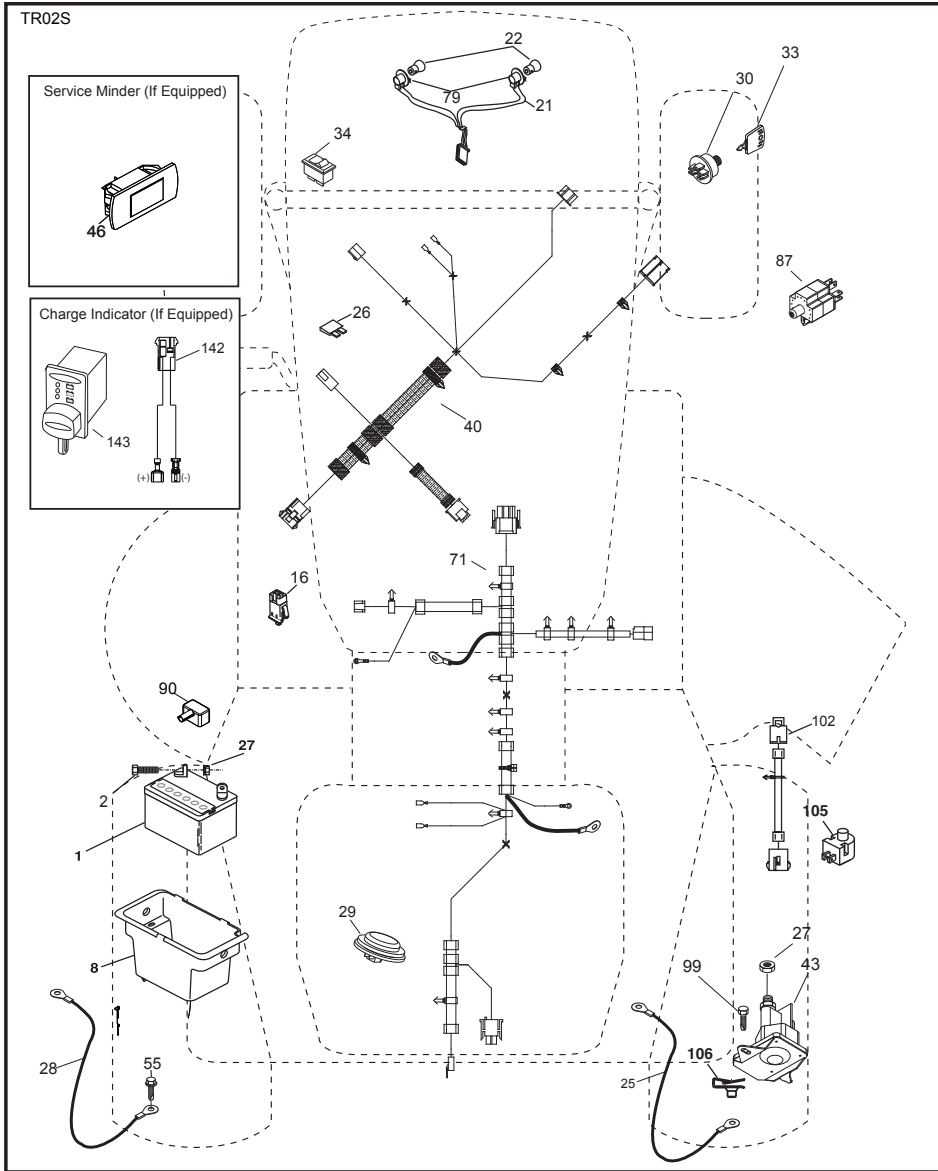
CHASSIS HARNESS CONNECTOR (MATING SIDE)



DASH HARNESS CONNECTOR (MATING SIDE)

WIRING INSULATED CLIPS NOTE: IF WIRING INSULATED CLIPS WERE REMOVED FOR SERVICING OF UNIT, THEY SHOULD BE RE-INSTALLED TO PROPERLY SECURE YOUR WIRING.





**TRACTOR - - MODEL NUMBER 917.273980**

**BRIGGS & STRATTON ENGINE-MODEL NUMBER 40N877, TYPE NUMBER 0004-G1**

KEY PART NO. NO.	DESCRIPTION	KEY PART NO. NO.	DESCRIPTION
474 592831	Alternator	918 596163	Hose-Vacuum (Rocker Cover #1)
505 691029	Nut (Governor Control Lever)	918A 799160	Hose-Vacuum (EVAP)
510 592602	Drive-Starter	943 796222	Seal-O Ring (Oil Pump Cover)
513 692024	Clutch-Drive	947 798779	Solenoid-Fuel
523 594258	Dipstick	964 799159	Cap-Connector
524 691032	Seal-Dipstick Tube	965 796221	Cover-Oil Pump
525 691037	Tube-Dipstick	968 591658	Cover-Air Cleaner
537 594915	Kit-Governor/Idle Spring	975 594208	Bowl-Fuel
540 594325	Plate-Baffle	1005 593640	Fan-Flywheel
552 796638	Bushing-Governor Crank	1012 592556	Retainer-Link
552A 690553	Bushing-Governor Crank	1013 690954	Nipple-Oil Filter
562 690311	Screw (Governor Control Lever)	1017 796214	Screen-Oil Pump
573 594902	Plate-Back	1022 690971	Gasket-Rocker Cover
584 594164	Cover-Breather Passage	1023 793146	Cover-Rocker (Cylinder #1)
601 691038	Hose-Clamp (Black)	1023A499600	Cover-Rocker (Cylinder #2)
601A 791850	Hose-Clamp (Green)	1024 796220	Pump-Oil
615 698290	Retainer-Governor Shaft	1026 690981	Rod-Push (Exhaust) (Steel)
616 691045	Crank-Governor	1026A690982	Rod-Push (Intake) (Aluminum)
617 594209	Seal-O Ring (Intake Manifold) (Green)	1027 492932s	Filter-Oil
617A 697891	Seal-O Ring (Intake Manifold) (Red)	1029 690972	Arm-Rocker
618 594326	Screw (Baffle Plate)	1029A807323	Arm-Rocker
633 699813	Seal-Choke/Throttle Shaft (Choke Shaft)	1036	Label-Emissions (Available From A Briggs & Stratton Authorized Dealer)
633A 699813	Seal-Choke/Throttle Shaft (Throttle Shaft)	1040 791237	Plate-Trim
635 66538s	Boot-Spark Plug	1051 691265	Ring-Retaining
654 690958	Nut (Carburetor)	1059 698516	Kit-Screw/Washer (Alternator)
668 691500	Spacer (Rotating Screen)	1070 593638	Screw (Flywheel Fan)
668A 691215	Spacer (Rotating Screen)	1090 691293	Retainer-Brush
684 691108	Screw (Breather Passage Cover)	1095 594214	Gasket Set-Valve
691 790574	Seal-Governor Shaft	1100 791959	Pivot-Rocker Arm
697 591909	Screw (Drive Cap)	1119 691183	Screw (Alternator)
703 691010	Clip (Fuel Line)	1127 695407	Screw (Float Bowl)
718 690959	Pin-Locating	1263 594166	Reed-Breather
718A 594988	Pin-Locating (Cylinder) (Spiral)	1264 594165	Screw (Breather Reed)
729 593826	Clip-Wire	1329 N/A	Replacement Engine
741 690980	Gear-Timing	1330 273521	Repair Manual
742 690328	Retainer-E Ring	Carburetor Overhaul Kit	Key No. 121
750 796208	Screw (Oil Pump Cover)	Engine Gasket Set	Key No. 358
783 592600	Gear-Pinion (Steel)	Valve Gasket Set	Key No. 1095
789 698330	Harness-Wiring		
798 697890	Screw (Rocker Arm)		
801 691283	Cap-Drive		
802 691286	Cap-End		
842 691031	Seal-O Ring (Dipstick Tube)		
847 499602	Dipstick/Tube Assembly		
850 100106	Sealant-Liquid (Used After Date Code: 15071500).		
851 493880s	Terminal-Spark Plug		
865 591667	Cover-Air Guide (Valley)		
868 690968	Seal-Valve		
877 790544	Wire/Connector-Alternator		
883 690970	Gasket-Exhaust		
914 691127	Screw (Rocker Cover)		

**NOTE:** All component dimensions given in U.S. inches  
1 inch = 25.4 mm

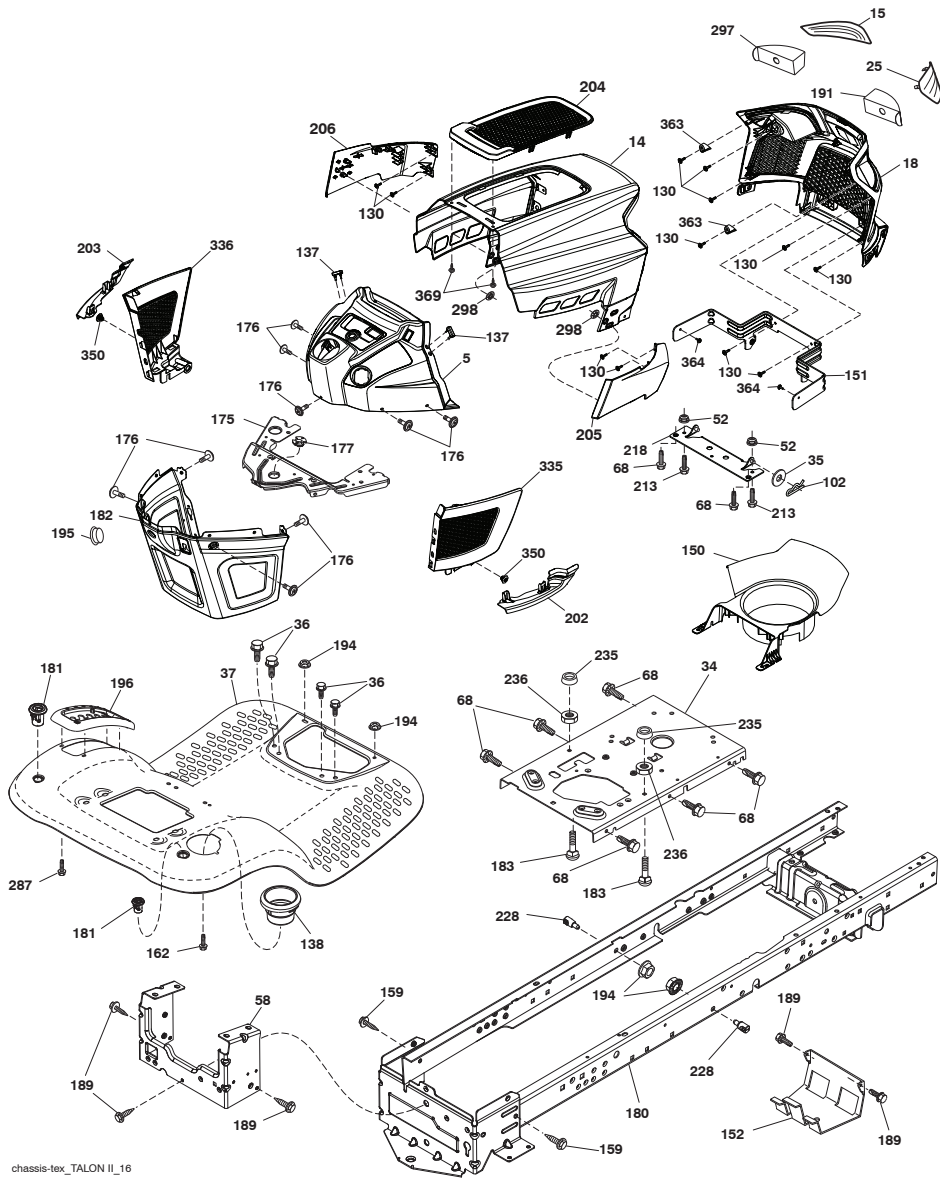
**ELECTRICAL**

**TRACTOR - - MODEL NUMBER 917.273980**

KEY PART NO. NO.	DESCRIPTION
1 163465	Battery
2 74760412	Bolt Hex Hd 1/4-20 unc x 3/4
8 193228	Box Battery
16 176138	Switch Interlock Push-In
21 400252	Harness Socket Light w/4152J
22 4152J	Bulb Light
25 581498001	Cable Starter
26 175158	Fuse
27 73510400	Nut Keps Hex 1/4-20 unc
28 421686	Cable, Ground
29 401545	Switch, Seat
30 193350	Switch, Ign
33 411932	Key/Chain
34 110712X	Switch Light / Reset
40 581023101	Harness Ign. Dash
43 582042801	Solenoid
55 17060512	Screw Thdrol 5/16-18 x 3/4 TYTT
71 501133701	Harness Ign. Chassis
79 175242	Bulbholder Asm. Incan Descent
87 197802	Switch Interlock Clutch Cable
90 435395	Cover Terminal Battery
99 17670412	Screw
102 581023401	Harness Pigtail
105 407568	Switch Reverse
106 174814	Palnut

**NOTE:** All component dimensions given in U.S. inches  
1 inch = 25.4 mm

**TRACTOR - - MODEL NUMBER 917.273980**  
**CHASSIS ASSEMBLY**



chassis-tex\_TALON II\_16

**TRACTOR - - MODEL NUMBER 917.273980**  
**BRIGGS & STRATTON ENGINE-MODEL NUMBER 40N877, TYPE NUMBER 0004-G1**

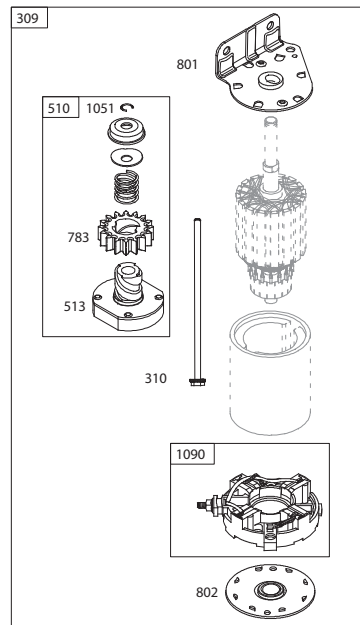
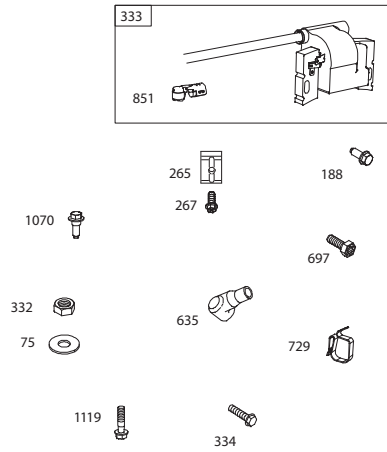
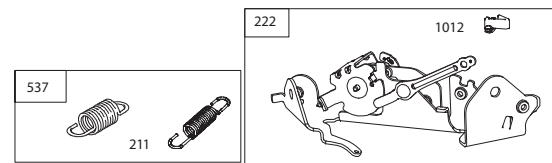
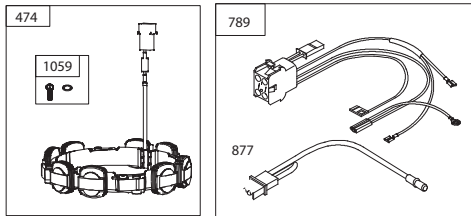
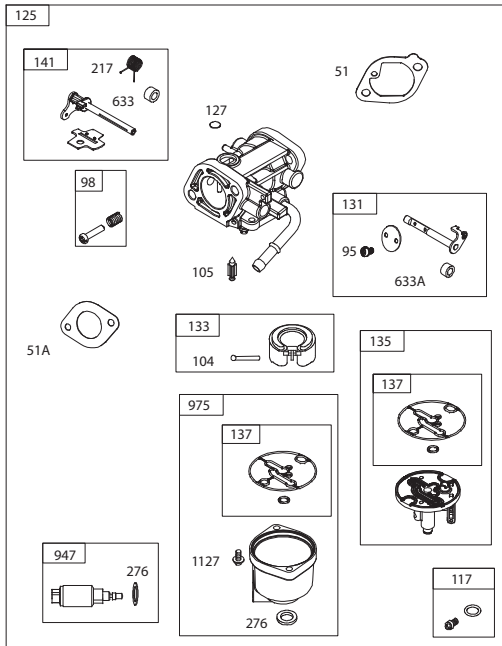
KEY PART NO. NO.	DESCRIPTION	KEY PART NO. NO.	DESCRIPTION	
1	594969	125	594207	Carburetor
2	797673	127	699810	Plug-Welch
3	391086s	131	594210	Kit-Throttle Shaft
4	594974	133	694914	Float-Carburetor
5	796231	135	591701	Tube-Fuel Transfer
5A	796232	137	698781	Gasket-Float Bowl
7	693997	141	594211	Kit-Choke Shaft
9	690937	186	845141	Connector-Hose (EVAP)
11	594163	186A	799158	Connector-Hose (EVAP)
12	594195	186B	594428	Connector-Hose (EVAP)
		187	791766	Line-Fuel (Cut to Required Length)
		188	691108	Screw (Control Bracket)
		192	690083	Adjuster-Rocker Arm
		211	593724	Spring-Governed Idle (Black)
		212	792265	Link-Throttle
		216	796229	Link-Choke
		217	799771	Spring-Choke Return
		219	793338	Gear-Governor
		220	799772	Washer (Governor Gear)
		221	841026	Cup-Governor
		222	592555	Bracket-Control
		227	798856	Lever-Governor Control
		232	795915	Spring-Governor Link
		240	691035	Filter-Fuel
		265	691024	Clamp-Casing
		267	792629	Screw (Casing Clamp)
		276	792629	Washer-Sealing (Aluminum)
		287	697820	Screw (Dipstick Tube)
		304	591656	Housing-Blower
		305	594618	Screw (Blower Housing)
		305A	790690	Screw (Blower Housing)
		305B	691061	Screw (Blower Housing) (#8-32x.8)
		306	591666	Shield-Cylinder (Cylinder #2)
		306A	796852	Shield-Cylinder (Cylinder #1)
		307	691003	Screw (Cylinder Shield) (1/4-20x.4)
		307A	691108	Screw (Cylinder Shield) (1/4-20x.6)
		309	592599	Motor-Starter
		310	690323	Screw (Starter Motor)
		332	691059	Nut (Flywheel)
		333	592846	Armature-Magneto
		334	691061	Screw (Magneto Armature)
		337	491055s	Plug-Spark
		358	594213	Gasket Set-Engine
		377	690979	Key-Woodruff
		385	797409	Screw (Fuel Pump)
		387	808656	Pump-Fuel
		404	690442	Washer (Governor Crank)
		405	594937	Screw (Back Plate)
		415	794903	Plug
		431	594205	Elbow-Intake
		445	594201	Filter-Air Cleaner Cartridge
		447	691003	Screw (Air Guide Cover)
		467	591660	Knob-Air Cleaner
13	592244			
15	690946			
16	699701			
20	795387			
22	694966			
23	594302			
24	222698s			
25	793647			
	793648			
26	791787			
	791792			
27	690975			
28	593650			
29	796209			
32	690976			
33	697576			
34	792200			
35	694865			
36	694865			
42	499586			
45	690977			
46	792555			
48	N/A			
50	594206			
51	594203			
51A	594204			
51B	690949			
53	690951			
54	699816			
73	494439			
74	698425			
75	691056			
95	690718			
98	695408			
104	694918			
105	698537			
117	842585			
118	792296			
121	594212			

TRACTOR - - MODEL NUMBER 917.273980

BRIGGS & STRATTON ENGINE-MODEL NUMBER 40N877, TYPE NUMBER 0004-G1

TRACTOR - - MODEL NUMBER 917.273980

CHASSIS ASSEMBLY



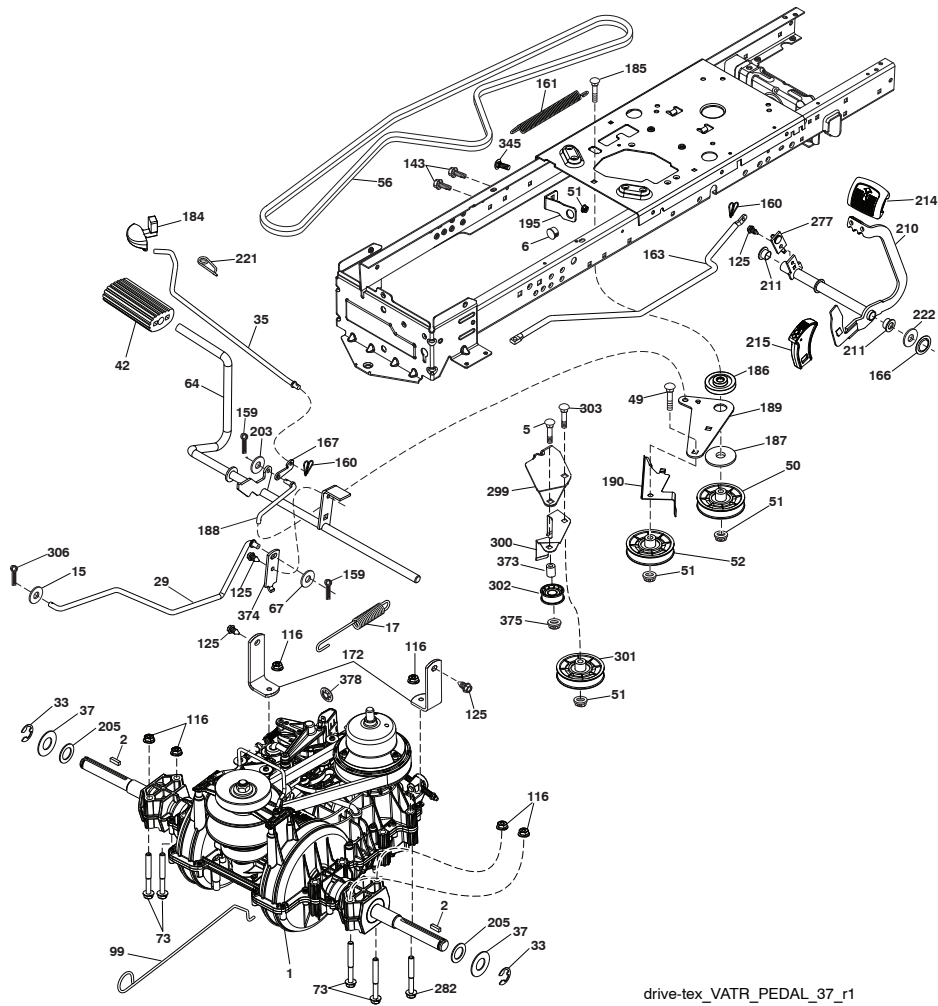
KEY PART NO. NO.

DESCRIPTION

5	580485903	Dash
14	580354407	Hood
15	580485601	Lens LH
18	580485303	Grille
25	580484501	Lens RH
34	580910801	Plate engine
35	191111116	Washer 11/32 x 11/16 x 16 Ga.
36	17060512	Screw 5/16-18 x 3/4
37	414879X428	Fender
52	73680500	Nut Crown lock 5/16-18
58	412280	Drawbar upper
68	17490508	Screw Thdrol 5/16-18 x 1/2
102	4497H	Retainer Spring 1"
130	416358	Screw # 10 x .750 BOS Thread
137	407590	Bumper Dash
138	193224X428	Cupholder
150	585238001	Duct Heat Hood
151	580663302	Bracket Pivot
152	199535	Shield Browning/Debris
159	17000612	Screw Hexwsh Thdrol3/8-16x3/4
162	142432	Screw Hex Wsh Hi-Lo 1/4 x 1/2
175	196304	Crossmember
176	400776	Screw 10-24 x 5/8 Wshd Qdrr
177	195228	Bushing Steering
180	415063	Chassis
181	193102X428	Bushing Mtg. Fender Crgo.
182	586738602	Dash Lower
183	74520520	Bolt 5/16-18 x 1-1/4
189	17000512	Screw 5/16-18 x 3/4
191	580485101	Mylar Headlight RH
194	73900500	Nut Lock Hex Flange 5/16-18
195	401556X428	Plug Hole Dash 12V Adapter
196	414579	Console Asm. Deck Lift
202	580485002	C-Closeout Lwr Trm RH
203	580484802	C-Closeout Lwr Trm LH
204	580484701	Top Vent Hood
205	580843707	Assembly Corner RH
206	580843807	Assembly Corner LH
213	74760512	Bolt hex HD 5/16-18 unc x 3/4
218	580897302	Pivot Hood Assy
228	195161	Stud Fastener
235	406129	Spacer Fender
236	73930500	Nut Center Lock 5/16-18
287	17600406	Screw Hex Washhead 1/4-20x3/8
297	580484901	Mylar Headlights LH
298	580851001	Nut Push
335	580484602	C-Side Closeout RH
336	580484402	C-Side Closeout LH
350	445143	Clip X-Mass Tree
363	580724501	Cap Talon Grille
364	17060408	Screw
369	421756	Screw #10 x 0.500 BOS THD
- - -	404951X428	Plug Dash SRVMNDR

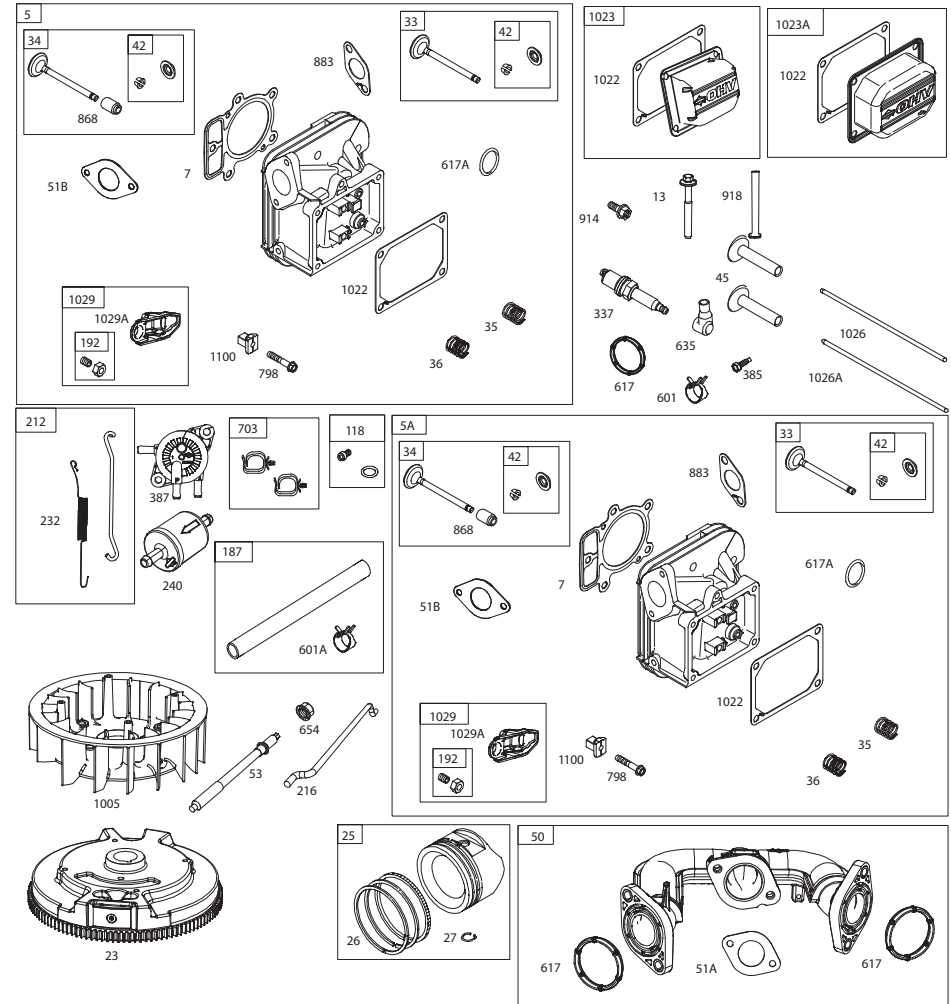
NOTE: All component dimensions given in U.S. inches  
1 inch = 25.4 mm

**TRACTOR -- MODEL NUMBER 917.273980**  
**GROUND DRIVE**



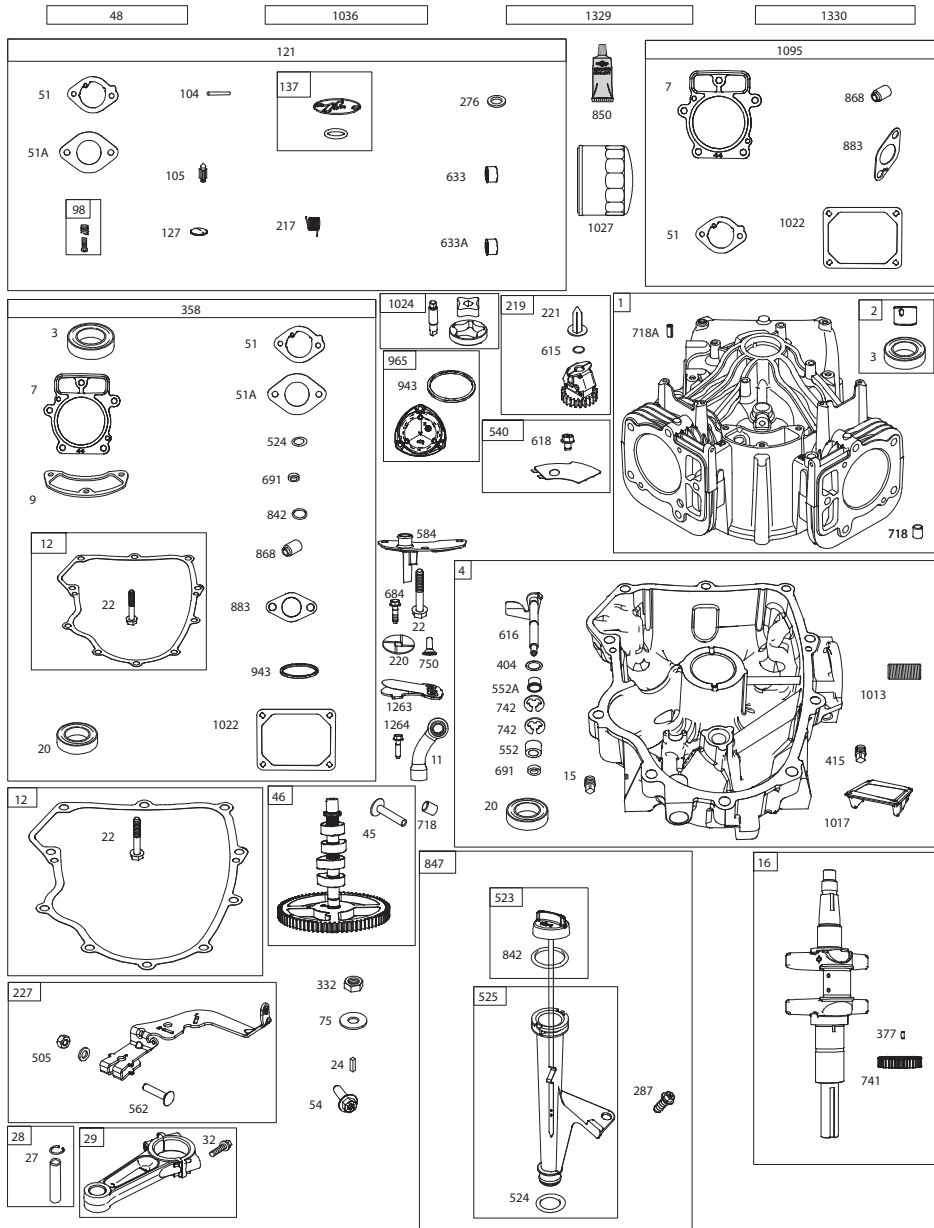
drive-tex\_VATR\_PEDAL\_37\_r1

**TRACTOR -- MODEL NUMBER 917.273980**  
**BRIGGS & STRATTON ENGINE-MODEL NUMBER 40N877, TYPE NUMBER 0004-G1**



**TRACTOR - - MODEL NUMBER 917.273980**

**BRIGGS & STRATTON ENGINE-MODEL NUMBER 40N877, TYPE NUMBER 0004-G1**



**TRACTOR - - MODEL NUMBER 917.273980**  
**GROUND DRIVE**

**KEY PART NO. NO.**

- 1 - - - - -
- 2 123583X
- 5 74760636
- 6 124028X
- 15 19131316
- 17 501487101
- 29 584823101
- 33 12000001
- 35 583864501
- 37 188967
- 42 8883R
- 49 72110614
- 50 194327
- 51 73900600
- 52 194326
- 56 197253
- 64 448353
- 67 582580101
- 73 74490544
- 99 435935
- 116 73900500
- 125 17000512
- 143 17490508
- 159 76020412
- 160 169484
- 161 105709X
- 163 587847902
- 166 429164
- 167 405257
- 172 583974201

**DESCRIPTION**

- Transmission, Gen Trans (580486201) (See transaxle breakdown.)
- Key Square
- Bolt Hex HS 3/8-16 unc
- Bushing Snap
- Washer 13/32 x 13/16 x 16 Ga.
- Spring Brake
- Rod Brake
- E-Ring
- Rod Brake Parking
- WasherHarden.793x1.637x060
- Cover Pedal Blk Round
- Bolt Rdhd 3/8-16 unc x 1-3/4 Gr.5
- Idler.Flat
- Nut Hex Flangelock 3/8-16
- Idler V-Groove Offset
- Belt Drive
- Shaft Asm. Pedal Brake
- WasherNylon 13/32x13/16x.109
- Bolt Hex Flghd 5/16-18 Gr. 5
- Rod Bypass
- NutLock Hex Flange 5/16-18 unc
- Screw 5/16-18 x 3/4 Smgml Tap/Bl
- Screw Thdrol 5/16-18 x 1/2 Tytt
- Pin Cotter 1/8 x 3/4
- Retainer Clip(M) Dia. 290
- Spring Return Clutch 6.75
- Rod Control Pedal
- Nut Push .625
- Latch Brake Parking
- Strap Torque LH/RH

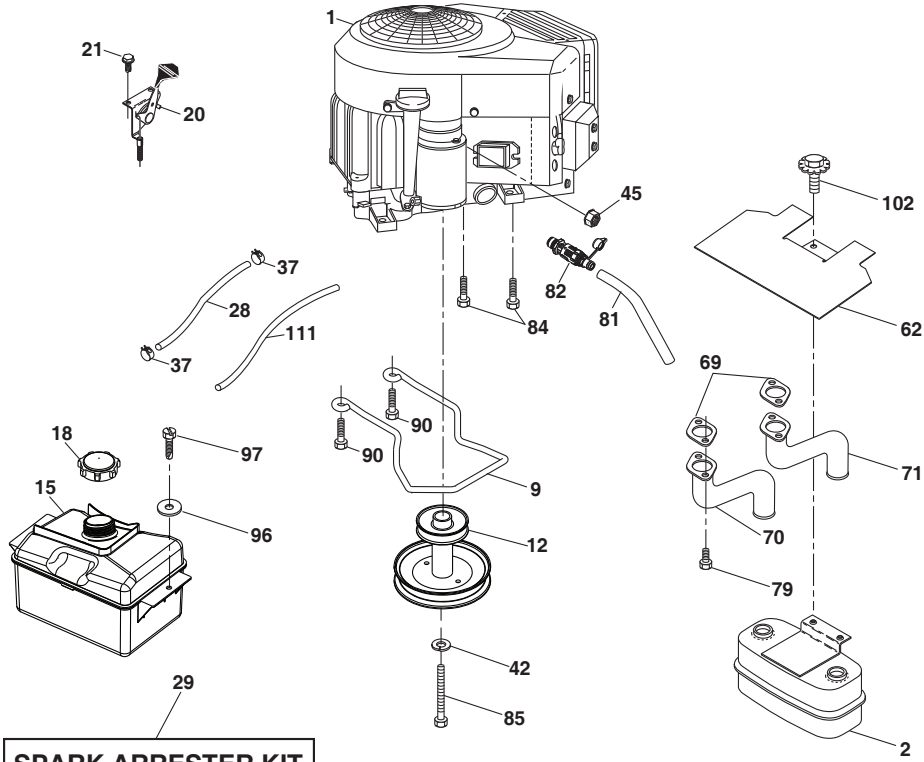
**KEY PART NO. NO.**

- 184 196439X428
- 185 72110622
- 186 194321
- 187 19133210
- 188 582217001
- 189 194317
- 190 194318
- 195 581504601
- 203 19111116
- 205 121748X
- 210 588921002
- 211 120183X
- 214 421263
- 215 448254
- 221 403187
- 222 79212010
- 282 74490548
- 299 415683
- 300 415681
- 301 415680
- 302 581420501
- 303 72110618
- 306 76020416
- 345 72110606
- 373 581461801
- 374 581475201
- 375 73680600
- 378 584287701

**DESCRIPTION**

- Handle Parking Brake
- Bolt Rdhd 3/8-16 unc x 2-3/4 Gr.5
- Spacer Retainer
- Washer 13/32 x 2 x 10 Ga.
- Link Clutch Ground Drive, Long
- Bellcrank Grounddrive Nstg/Nstl
- Keeper Bellcrank Drive Ground
- Brake Bracket
- Washer 11/32 x 11/16 x 16 Ga.
- Washer 25/32 x 1-5/8 x 16 Ga.
- Weldment Pedal
- Bearing Nylon
- Pedal Forward Pad
- Cap Pedal Reverse
- Retainer Spring Clip Handle
- Washer 21/32 x 1-1/4 10 Ga.
- Screw Thdrol 5/16-18 x 3
- Bracket Mount Idler
- Keeper Idler Rear
- Pulley Idler V-Groove
- Pulley Idler Flat 2.0 Od
- Bolt Rdhd Sgnk 3/8-16 x 2-1/4
- Cotter Pin
- Bolt Rdhd Sgnk 3/8-16 x 1 Gr. 5
- Spacer Idler
- Bracket Brake Arm
- Nut Crownlock 3/8-16 unc
- Nut Push 8 mm

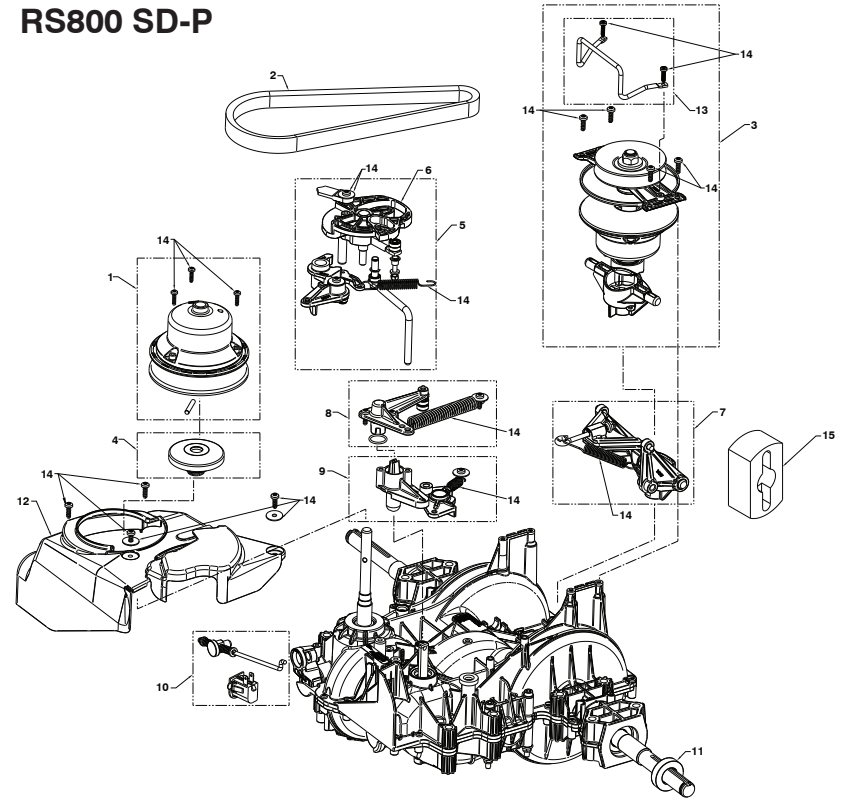
**NOTE:** All component dimensions given in U.S. inches  
1 inch = 25.4 mm



**SPARK ARRESTER KIT**

engine-tex\_bs-2cyl\_149

**RS800 SD-P**



**KEY PART NO. NO.**

KEY PART NO.	NO.	DESCRIPTION
1	587086701	Driven Kit RS800
2	587086101	Variation Belt
3	587086703	Driver Kit
4	587291101	Inversion Security System
5	587086702	Control Kit RS800 P
6	587086302	Control Cam RS800 P
7	587291201	Variation Kit
8	587291301	Brake Kit
9	587291401	Bypass Kit
10	587291402	Inversion Kit

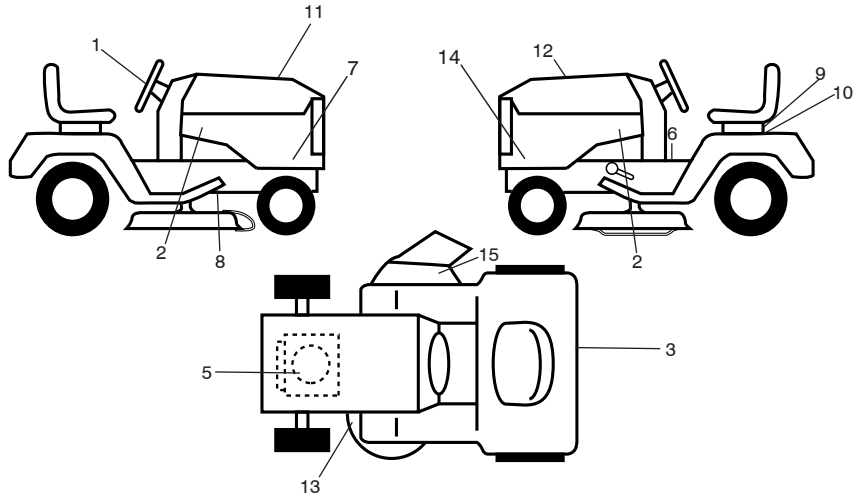
**KEY PART NO. NO.**

KEY PART NO.	NO.	DESCRIPTION
11	587086401	Output Seals Kit RS800
12	587291601	Cover RS800 P
13	588508301	Belt Keeper Kit
14	587086901	Hardware Kit RS800
15	587086501	Driven Tool

**NOTE:** All component dimensions given in U.S. inches  
1 inch = 25.4 mm

TRACTOR - - MODEL NUMBER 917.273980

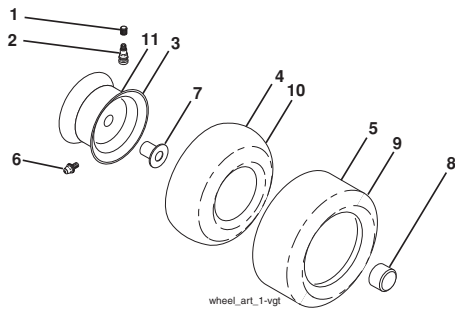
DECALS



KEY PART NO.	NO.	DESCRIPTION
1	589861701	Decal, Steering
2	586456301	Decal, Hood
3	587390201	Decal, Fender
5	589804701	Decal, Engine HP
6	581578801	Decal, Fender Warning
7	589861901	Decal, Sideskirt RH
8	421534	Decal, V-Belt Schematic Drive
9	434996	Decal, Battery Warning
10	434995	Decal, Battery
11	589886501	Decal, Replacement
12	585571401	Decal, Customer Responsibility

KEY PART NO.	NO.	DESCRIPTION
13	581580001	Decal, Mower V-Belt SCH.
14	589861801	Decal, Sideskirt LH
15	584904601	Decal, Deck/Deflect Warning
--	193226X428	Pad, Footrest LH
--	400981X428	Pad, Footrest RH
--	581724801	Decal, Bypass
--	115865326	Manual Operator's (English/Spanish)
--	115865427	Manual Parts (English/Spanish)
--	588799624	Manual, Quick Start Guide (English/Spanish)

WHEELS & TIRES



KEY PART NO.	NO.	DESCRIPTION
1	59192	Cap, Valve, Tire
2	65139	Stem, Valve
3	106732X417	Rim Assembly, Front
4	59904	Tube, Front
5	106222X	Tire, Front 15 x 6-6
6	278H	Fitting, Grease
7	9040H	Bearing, Flange
8	104757X428	Cap, Axle (Front Wheel Only)
9	138468	Tire, Rear 20 x 8-8
10	7152J	Tube, Rear
11	106108X417	Rim Assembly, Rear
--	144334	Sealant, Tire (10 oz. Tube)

NOTE: All component dimensions given in U.S. inches  
1 inch = 25.4 mm

TRACTOR - - MODEL NUMBER 917.273980

ENGINE

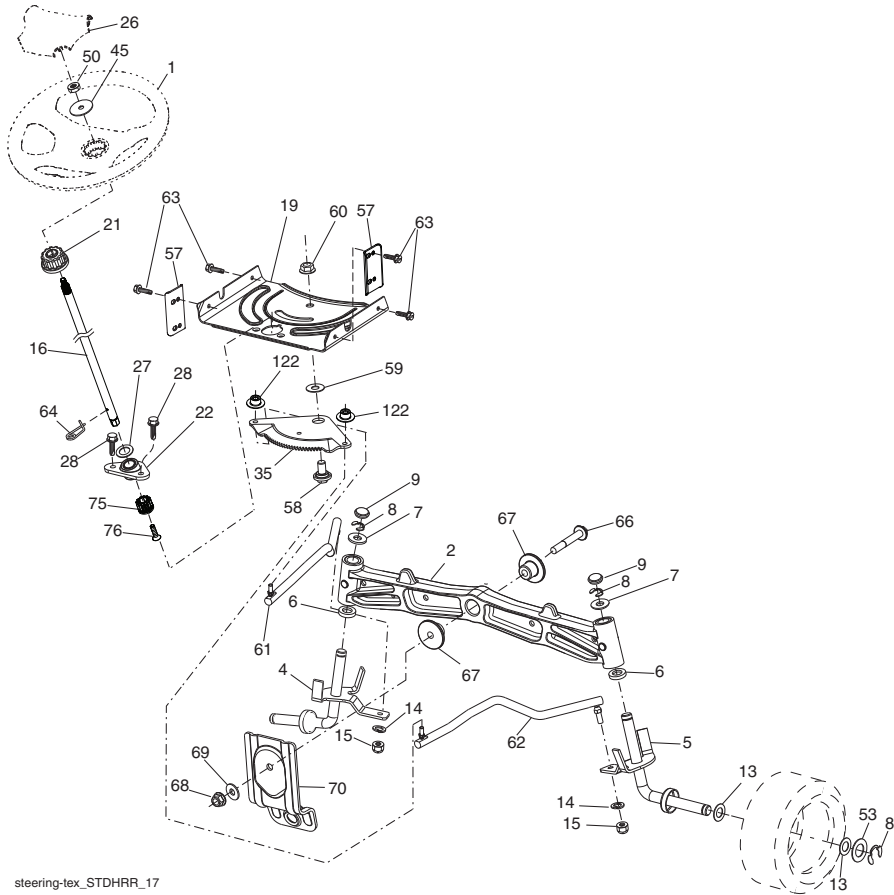
KEY PART NO.	NO.	DESCRIPTION
1	-----	Engine B&S Model No. 40N877-0004-G1 (587723901) (See engine breakdown.)
2	445962	Muffler
9	582540302	Keeper Belt Engine
12	586729001	Pulley Engine
15	433007	Tank Fuel
18	581176101	Cap Asm. Fuel
20	421473X428	Control Throttle/Choke
21	416358	Screw 10 x .750 BOS Thread
28	401137	Fuel Line
29	137180	Spark Arrester Kit
37	123487X	Clamp Hose
42	539990247	Washer Lock 7/16
45	73510400	Nut Keps Hex 1/4-20 unc
62	434017	Shield Heat Muffler
69	165391	Gasket
70	581881101	Exhaust Tube LH
71	581881001	Exhaust Tube RH
79	183906	Screw 5/16-18 x 1
81	148456	Tube, Drain
82	428287	Oil Drain
84	17060620	Screw 3/8-16 x 1-1/4
85	501606501	Bolt Hex 7/16-20 x 4 x Gr. 5-1.5
90	17000616	Screw 3/8-16 x 1.0
96	19091416	Washer 9/32 x 7/8 x 16 Ga.
97	17670412	Screw 1/4-20 x 3/4
102	17000512	Screw 5/16-18 x 3/4 THDR L
111	414119	Purge Line

NOTE: All component dimensions given in U.S. inches  
1 inch = 25.4 mm

Engine Power Rating Information

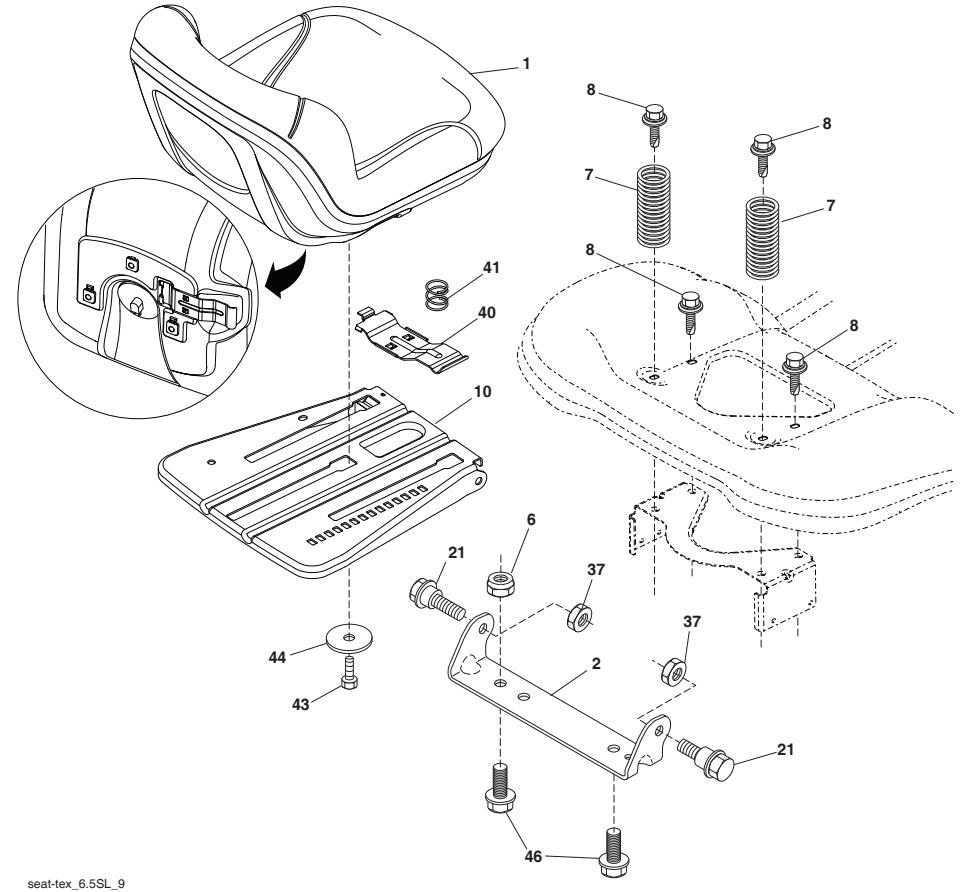
The gross power rating for individual gas engine models is labeled in accordance with SAE (Society of Automotive Engineers) code J1940 (Small Engine Power & Torque Rating Procedure), and rating performance has been obtained and corrected in accordance with SAE J1995 (Revision 2002-05). Torque values are derived at 3060 RPM; horsepower values are derived at 3600 RPM. Actual gross engine power will be lower and is affected by, among other things, ambient operating conditions and engine-to-engine variability. Given both the wide array of products on which engines are placed and the variety of environmental issues applicable to operating the equipment, the gas engine will not develop the rated gross power when used in a given piece of power equipment (actual "on-site" or net power). This difference is due to a variety of factors including, but not limited to, accessories (air cleaner, exhaust, charging, cooling, carburetor, fuel pump, etc.), application limitations, ambient operating conditions (temperature, humidity, altitude), and engine-to-engine variability. Due to manufacturing and capacity limitations, Briggs & Stratton may substitute an engine of higher rated power for this Series engine.

**TRACTOR - - MODEL NUMBER 917.273980**  
**STEERING ASSEMBLY**



steering-tex\_STDHRR\_17

**TRACTOR - - MODEL NUMBER 917.273980**  
**SEAT ASSEMBLY**



seat-tex\_6.5SL\_9

**KEY PART**  
**NO. NO.**

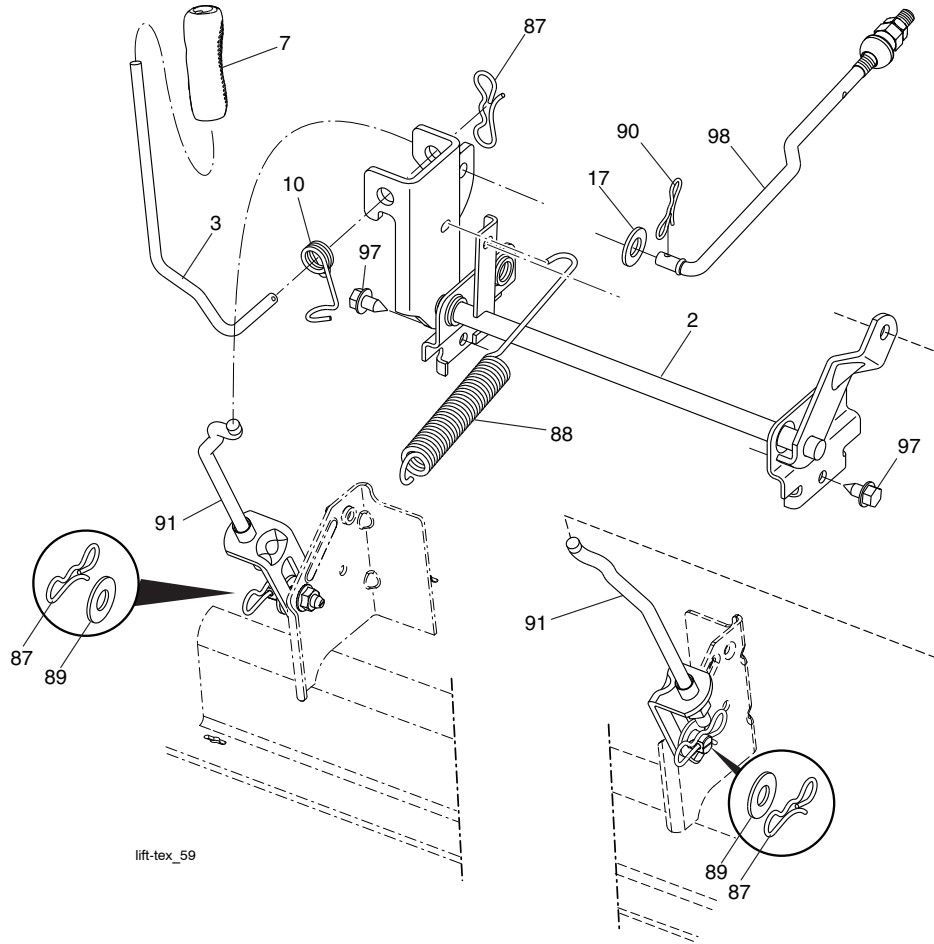
KEY PART NO.	NO.	DESCRIPTION
1	423601	Seat
2	180166	Bracket Pivot Fender
6	73800600	Nut, Lock W/Ins. 3/8-16 unc
7	589483501	Spring, Seat Cprsn
8	171877	Bolt 5/16-18 unc x 3/4 w/Sems
10	196977	Pan, Seat
21	587907801	Bolt, Shoulder 5/16-18 x 5/8
37	73800500	Nut, Lock 5/16-18 unc
40	197661	Handle Slide Seat

**KEY PART**  
**NO. NO.**

KEY PART NO.	NO.	DESCRIPTION
41	198200	Spring Latch Seat
43	74760612	Bolt 3/8-16 x 3/4
44	19133812	Washer 13/32 x 2-3/8 x 12 Ga.
46	588090401	Bolt 3/8-16 x 1 x 1.25 OD Wshr

**NOTE:** All component dimensions given in U.S. inches  
 1 inch = 25.4 mm

**TRACTOR - - MODEL NUMBER 917.273980**  
**LIFT ASSEMBLY**



lift-tex\_59

KEY PART NO.	NO.	DESCRIPTION
2	422027	Shaft Asm., Cross Lift
3	195231	Lever Asm., Lift RH
7	445060X428	Grip, Lever
10	196314	Spring Torsion
17	19131312	Washer 13/32 x 13/16 x 12 Ga.
87	194209	Pin Cotter 7/16 Bow Tie Lock
88	410710	Spring Lift Assist
89	19191912	Washer Clear Zinc

KEY PART NO.	NO.	DESCRIPTION
90	194208	Pin Cotter 5/16 Bow Tie Lock
91	197984	Link Lift Susp Mower Rear
97	17000612	Screw 3/8-16 x .75
98	420525	Link Front Susp Asm.

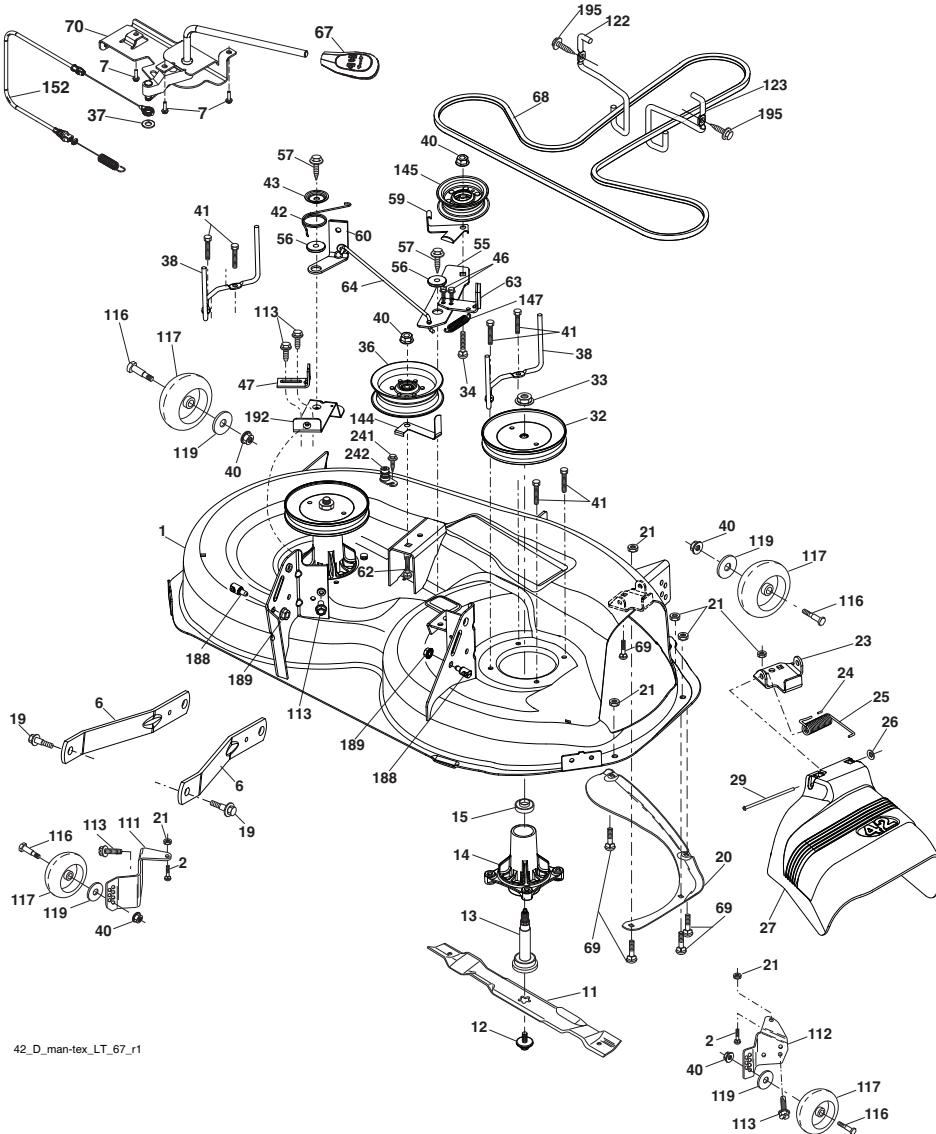
**NOTE:** All component dimensions given in U.S. inches  
 1 inch = 25.4 mm

**TRACTOR - - MODEL NUMBER 917.273980**  
**STEERING ASSEMBLY**

KEY PART NO.	NO.	DESCRIPTION
1	414803X428	Wheel, Steering
2	195968	Axle Cast Iron
4	403087	Spindle Asm., LH
5	403088	Spindle Asm., RH
6	6266H	Washer Thrust
7	121748X	Washer 25/32 x 1-5/8 x 16 Ga.
8	12000029	Ring, Klip #T5304-75
9	184946X667	Cap, Spindle
13	121749X	Washer 25/32 x 1-1/4 x 16 Ga.
14	10040600	Washer, Lock Hvy Hlcl Spr 3/8
15	73540600	Nut, Crown Lock 3/8-24 unf
16	587016002	Shaft Steering
19	194729	Plate Steering
21	586840201	Adapter, Wheel Steering Splnd Alum
22	585029802	Bearing Subasm Shaft Steer Low
26	414852X428	Insert, Wheel Steering
27	19211616	Washer 21/32 x 1 x 16 Ga.
28	17000612	Screw 3/8-16 x 3/4
35	194732	Gear, Sector Plate
45	587016401	Washer 3/8 ID 2-3/8OD 12 Ga.
50	73900600	Nut Lock Flg. 3/8-16 unc
53	188967	Washer Hardened .793 x 1.637 x .060
57	407465	Bracket Upstop
58	194747	Bolt Shoulder Sector Pivot CFM
59	194748	Washer Thrust Sector Steering
60	73971000	Nut Flange Lock 5/8-11
61	194740	Draglink LH
62	194741	Draglink, RH
63	17000512	Screw 5/16-18 x 3/4
64	199849	Retainer Clip Spring Steering
66	71020748	Bolt Hex Fghd 7/16-14 x 3 Serr
67	194737	Bushing PM Front Axle
68	73900700	Nut Lock Flange 7/16-14 Gr. 5
69	199162	Washer 1.5 x .505 x .118
70	585338801	Bracket Deck Susp. Front
75	580683701	Pinion
76	580683601	Screw Head Sock
122	444962	Cap Gear

**NOTE:** All component dimensions given in U.S. inches  
 1 inch = 25.4 mm

**MOWER DECK**  
**TRACTOR -- MODEL NUMBER 917.273980**



42\_D\_man-tex\_LT\_67\_r1

**MOWER DECK**  
**TRACTOR -- MODEL NUMBER 917.273980**

KEY PART NO.	NO.	DESCRIPTION	KEY PART NO.	NO.	DESCRIPTION
1	196495X417	Mower Housing	63	199477	Arm Brake Mower
2	72140506	Bolt RDHD.SQNK. 5/16-18 unc x 3/4	64	199790	Linkage Brake
6	195186	Arm Suspension	67	198398X667	Handle, Clutch Cable
7	416358	Screw 10 x .750 BOS Thread	68	429636	V-Belt
11	424752	Blade, 3N1 Premium (For bagging or discharge)	69	72140505	Bolt Rdhd Sqnk 5/16-18 x 5/8
12	584309301	Screw Sems 7/16-20 x 1 Hex Hd.	70	199972	Clutch Asm. Manual
13	587256501	Shaft Assembly, Mandrel	111	404784	Bracket, Gauge Wheel LH
14	187281	Housing, Mandrel	112	404785	Bracket, Gauge Wheel RH
15	585323901	Bearing, Mandrel	113	17000510	Screw 5/16-18
19	196539	Bolt, Shoulder	116	4898H	Bolt, Shoulder
20	159770	Baffle, Vortex	117	188606	Wheel, Gauge
21	73680500	Nut, Crownlock 5/16-18 unc	119	19121414	Washer 13/32 x 7/8 x 14 Ga.
23	192557	Bracket, Deflector	122	197258	Keeper Belt Eng. LH
24	105304X	Cap, Sleeve	123	197259	Keeper Belt Eng. RH
25	197026	Spring, Torsion, Deflector	144	199204	Keeper Belt
26	110452X	Nut, Push	145	193197	Pulley, Idler, Flat
27	424469	Shield, Deflector	147	401971	Spring Return
29	131491	Rod, Hinge	152	584243501	Cable Clutch Manual w/Spr.
32	197473	Pulley, Mandrel	188	195161	Stud Fastener
33	400234	Nut, Toplock, Flanged	189	73900500	Nut Lock Hex Flange
34	72110612	Bolt Carr Sh. 3/8-16 x 1-1/2 Gr. 5	192	197260	Bracket Brake Stand LH
36	197379	Pulley Idler	195	17000612	Screw Hexwsh Thdr 3/8-16 x 3/4
37	19131316	Washer 13/32 x 13/16 x 16 Ga.	241	152927	Screw
38	432520	Keeper Belt LH Mandrel	242	415598	Washout Port
40	73900600	Nut, Lock Flg. 3/8-16 unc	--	416405	Quick Connect Coupling
41	584953901	Bolt Hex Wshrhd 3/16 x 1.19	--	589915201	Replacement Mower, Complete
42	198410	Spring Torsion Brake	--	587253301	Mandrel Assembly (Includes housing (key #14), shaft assembly (key #13), and bearing (key #15) only - pulley/nut/washer and blade bolt/washers not included)
43	197256	Spring Torsion Retainer			
46	137729	Screw Thd Roll 1/4-20 x 5/8			
47	197250	Bracket Clutch Cable			
55	437110	Arm, Idler			
56	199092	Spacer, Retainer			
57	17000616	Screw Hexwsh Thd 3/8-16 x 1			
59	141043	Guard, Tuv Idler (94)			
60	197261	Arm Brake Mower			
62	72110616	Bolt Rdhd Sqnk 3/8-16 unc x 2			

**NOTE:** All component dimensions given in U.S. inches  
 1 inch = 25.4 mm