

DOREL ASIA



2 IN 1 CRIB



Model No:
DA7213B2 (RUSTIC GRAY)

UPC CODE:
0-65857-16960-7

NOTE:
THIS INSTRUCTION BOOKLET
CONTAINS **IMPORTANT** SAFETY
INFORMATION. PLEASE READ AND
KEEP FOR FUTURE REFERENCE.

Lot number:
(TAKEN FROM CARTON)

Date of purchase:

____ / ____ / ____

DO NOT RETURN PRODUCT TO THE STORE.
If a part is missing or damaged, contact our customer service
department. We will replace the part **FREE** of charge.



Tel #: 1-800-295-1980
E-Mail: das@dorel.com
Fax #: 514-353-7819

CUSTOMER SERVICE

If you are missing parts or have any questions about this product, contact our customer service representative first!



CALL 1-800-295-1980

You can also order parts by writing to the address listed below. Please include the product model number, color and a detailed description of the part.

**Customer Service Department No. 413
12345 Albert-Hudon Boulevard, Suite 100
Montreal, Quebec
Canada, H1G 3L1
E-MAIL: das@dorel.com**



WARNING

- * Failure to follow these warnings and assembly instructions could result in serious injury or death.
- * Read all instructions before assembling crib. **KEEP INSTRUCTIONS FOR FUTURE USE.**
- * Check this product for damaged hardware, loose joints, loose bolts or other fasteners, missing parts or sharp edges before assembly and frequently during use. Securely tighten loose bolts and other fasteners. **DO NOT** use crib if any parts are missing, damaged or broken. Contact a customer service representative at 1-800-295-1980 for replacement parts and instructional literature if needed. **DO NOT** substitute parts.
- * Infants can suffocate on soft bedding. Never add a pillow or comforter. Never place additional padding under an infant.
- * Stop using crib when child begins to climb out or reaches the height of 35 inches (89 cm).
- * To reduce the risk of SIDS, pediatricians recommend healthy infants be placed on their backs to sleep, unless otherwise advised by your physician.
- * **DO NOT** place crib near window where cords from blinds or drapes may strangle a child.
- * Strings can cause strangulation! **DO NOT** place items with a string around a child's neck, such as hood strings or pacifier cords. **DO NOT** suspend strings over a crib or attach strings to toys.
- * To help prevent strangulation tighten all fasteners. A child can trap parts of the body or clothing on loose fasteners.
- * If refinishing, use a non-toxic finish specified for children's products.
- * When child is able to pull to standing position, set mattress to lowest position and remove bumper pads, large toys and other objects that could serve as steps for climbing out.
- * Never use plastic shipping bags or other plastic film as mattress covers because they can cause suffocation.
- * Replace teething rail if damaged or loose (if teething rail is provided for this model).
- * Follow warnings on all products in a crib.
- * **CAUTION: ANY MATTRESS USED IN THIS CRIB MUST BE AT LEAST 27-1/4 INCHES BY 51-5/8 INCHES (69CM BY 131CM) WITH A THICKNESS NOT EXCEEDING 6 INCHES (15CM).**
- * Infants can suffocate in gaps between crib sides and a mattress that is too small.
- * The **TODDLER BED** or **DAY BED** is not intended for children under 15 months of age or over 50 pounds (22.7kgs)
- * If guardrails are used as the mattress containment means, guardrail(s) provided must be used to avoid the formation of a gap between the mattress and the bed that could cause an entrapment (when product is used as a **TODDLER BED** or **DAY BED**).
- * The mattress intended for use on the bed shall be a full-size crib mattress having minimum dimensions of 51-5/8 in. (1310 mm) in length and 27-1/4 in. (690 mm) in width with a minimum thickness of 4 in. (100 mm) and not exceeding 6 in. (150 mm).

NOTES

- * Ensure all parts and components are present before beginning assembly.
- * Assemble on a soft, smooth surface to prevent damage to product finish.
- * Phillips head screw driver is not included.
- * **DO NOT** use power tools.
- * CAUTION: Adult assembly required.
- * Assembly will require two people.
- * Estimated assembly time: 30 minutes.

CARE AND CLEANING

Dust regularly with a soft, lint-free cloth to prevent soil build-up. A damp cloth may be used occasionally to clean surface. Dry immediately. Do not use any abrasives that may damage finish. Excessive exposure to sunlight and extreme changes in temperature and moisture can damage wood furniture.

MAINTENANCE

Check bolts/screws periodically and tighten them if necessary.

LIMITED WARRANTY

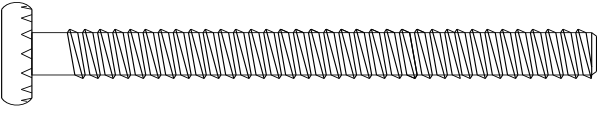
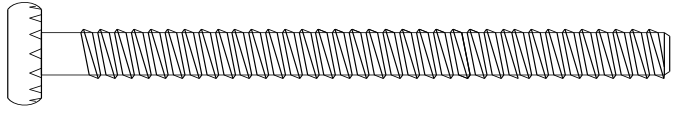
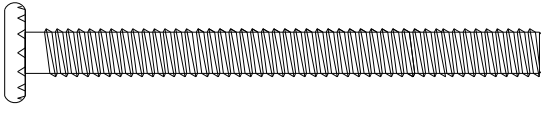
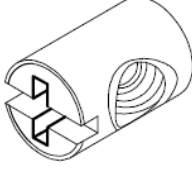
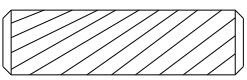
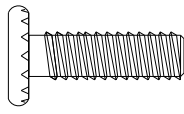

Dorel Asia warrants its product to be free from defects in material and workmanship and agrees to remedy any such defect. This warranty covers 1 year from the date of original purchase. This warranty is valid only upon presentation of proof of purchase. This is solely limited to the repair or replacement of defective furniture components and no assembly labor is included. This warranty does not apply to any product which has been improperly assembled, subjected to misuse or abuse or which has been altered or repaired in any way. This warranty gives you specific legal rights and you may also have other rights which vary from State to State.



WARNING: Should this product become damaged, and/or components are broken or missing, DO NOT USE.

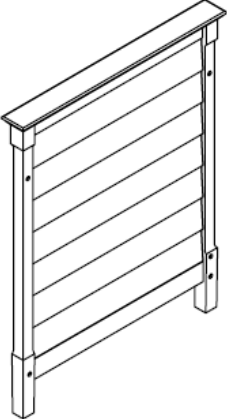
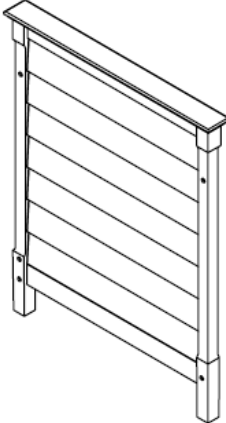
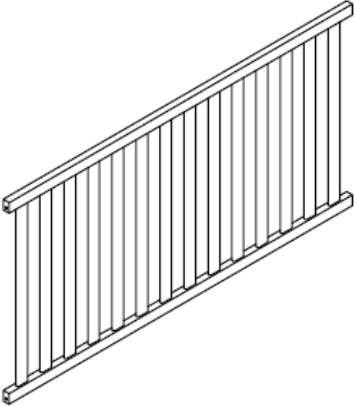
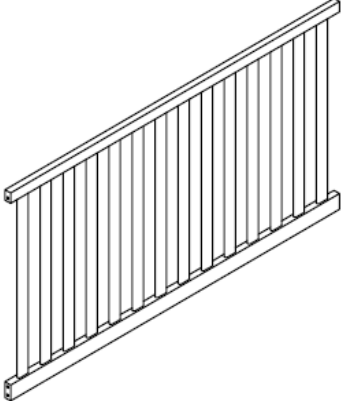
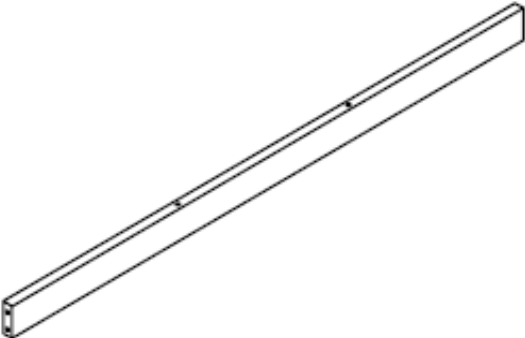
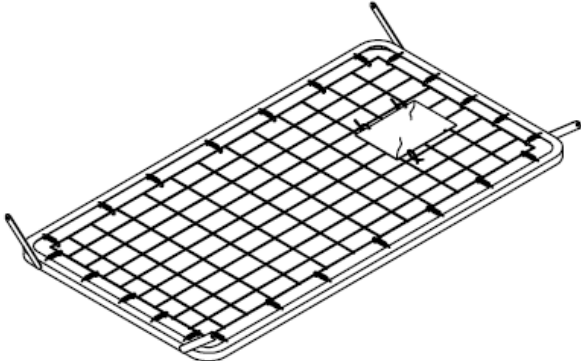
2 IN 1 CRIB DA7213B2

HARDWARE LIST

<p>1</p>  <p>Ø1/4" X 70mm</p>	<p>2</p>  <p>Ø1/4" X 76mm</p>
<p>BOLT 4 PCS</p>	<p>BOLT 6 PCS</p>
<p>3</p>  <p>Ø1/4" X 50mm</p>	<p>4</p>  <p>Ø1/4" X 13 X Ø10mm</p>
<p>BOLT 2 PCS</p>	<p>BARREL NUT 8 PCS</p>
<p>5</p>  <p>Ø1/4" X 30mm</p>	<p>6</p>  <p>Ø1/4" X 19mm</p>
<p>WOOD DOWEL 4 PCS</p>	<p>MATTRESS SUPPORT BOLT 16 PCS</p>
<p>7</p> 	
<p>ALLEN KEY 1 PC</p>	

2 IN 1 CRIB DA7213B2

PARTS LIST

<p>A</p> 	<p>B</p> 
<p>LEFT PANEL 1 PC</p>	<p>RIGHT PANEL 1 PC</p>
<p>C</p> 	<p>D</p> 
<p>FRONT PANEL 1 PC</p>	<p>BACK PANEL 1 PC</p>
<p>E</p> 	<p>F</p> 
<p>FRONT RAIL 1 PC</p>	<p>MATTRESS SUPPORT 1 PC</p>

2 IN 1 CRIB DA7213B2



CRIB ASSEMBLY INSTRUCTION

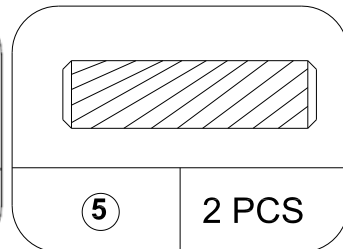
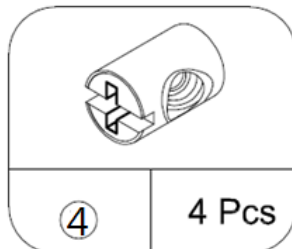
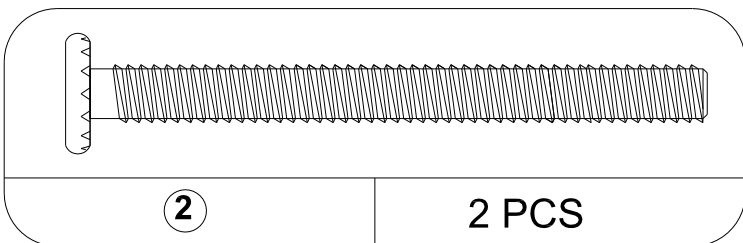
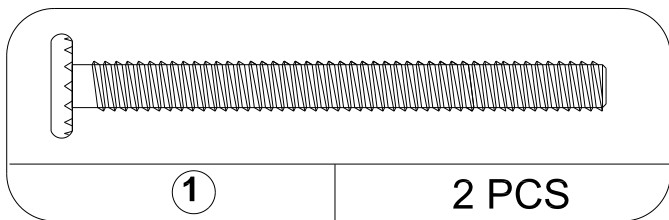
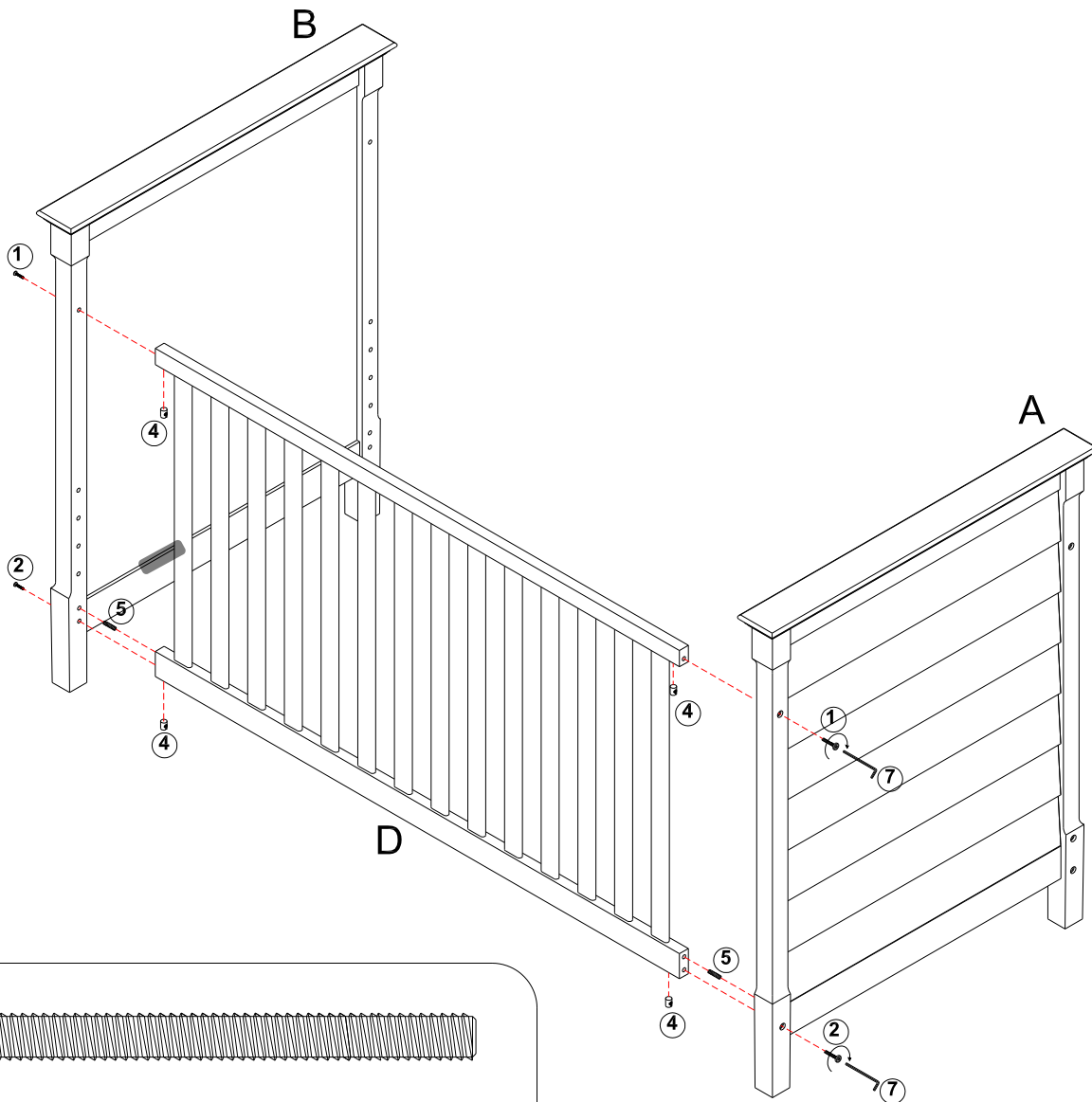
NOTE: When inserting bolts, turn clockwise until tight. Then loosen 1/2 - 3/4 of a turn. After crib is completely assembled, return to each bolt and tighten. Use wax or soap on all bolts to facilitate assembly.

2 IN 1 CRIB DA7213B2

STEP 1

Insert wood dowels (5) into back panel (D).

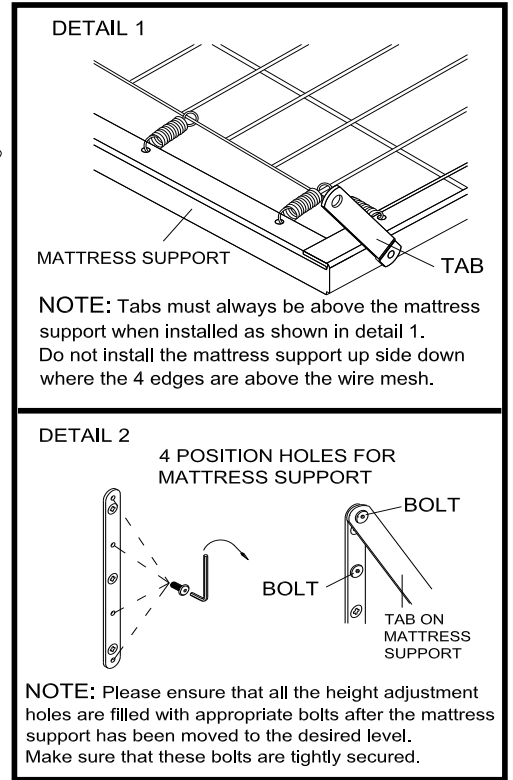
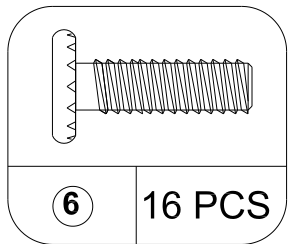
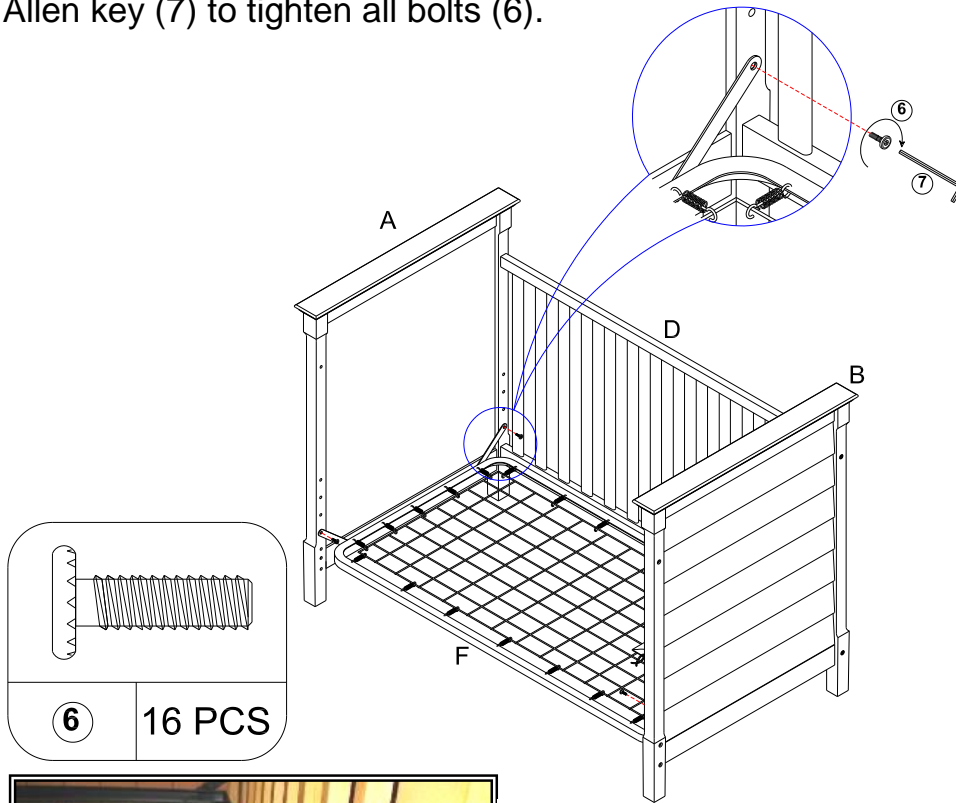
Attach left panel (A) and right panel (B) to back panel (D) using bolts (1) & (2) and barrel nuts (4). Use Allen Key (7) to tighten all bolts.



2 IN 1 CRIB DA7213B2

STEP 2

Attach mattress support (F) to left and right panels (A & B) with mattress support bolts (6). Use Allen key (7) to tighten all bolts (6).



✗ INCORRECT-
Raised edge should face down -this photo shows mattress support is upside down.



✗ INCORRECT-
Tabs on corners of mattress support should point up.



✓ CORRECT
* Tabs to point UP.
* Flat surface of mattress support to face up - mattress must sit on flat surface.

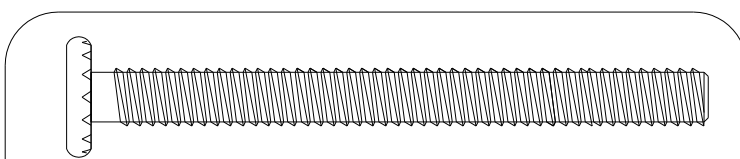
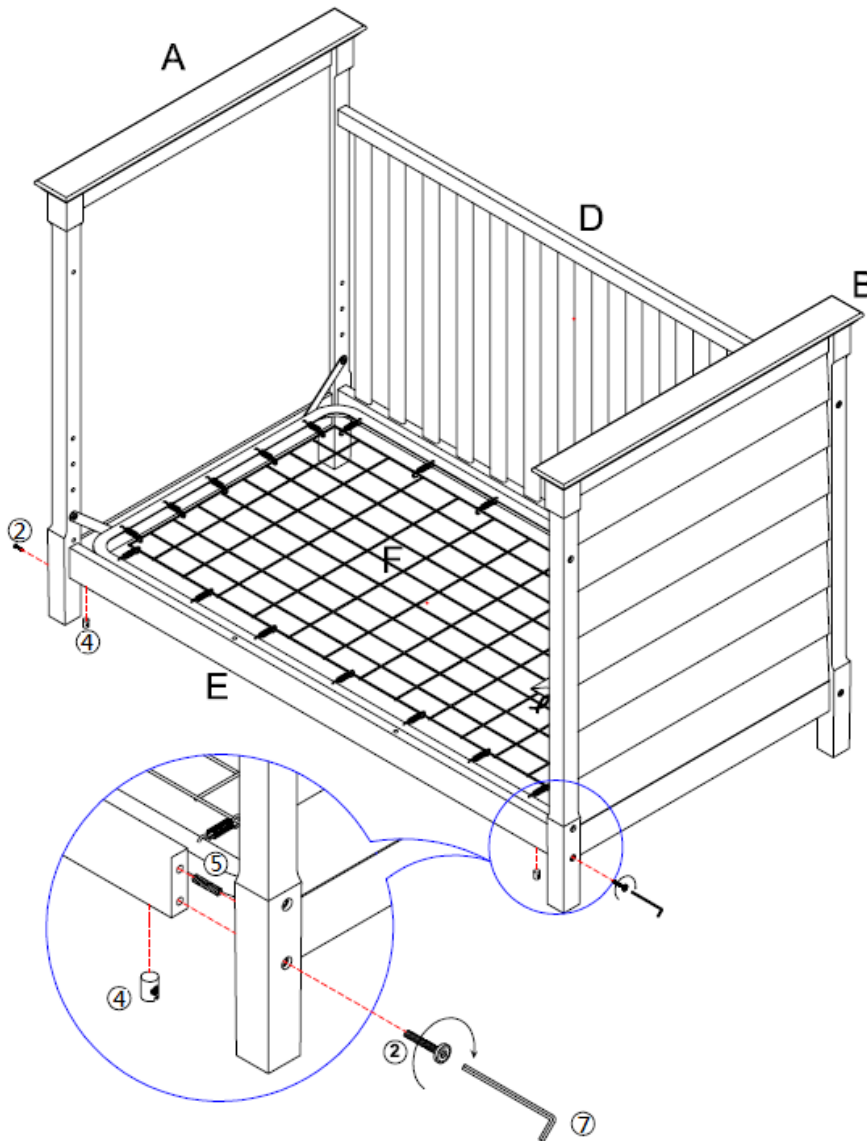
NOTE: The above photos and drawings showing how to properly attach the mattress support are for reference only. Crib styles and colors will vary.

2 IN 1 CRIB DA7213B2

STEP 3

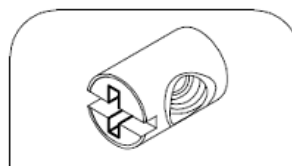
Insert wood dowels (5) into front rail (E).

Attach front rail (E) to left panel (A) and right panel (B) using bolts (2) and barrel nuts (4).
Use an Allen Key (7) to tighten all bolts.



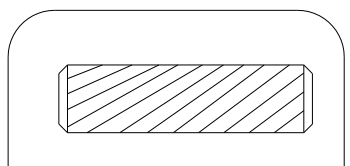
②

2 PCS



④

2 Pcs



⑤

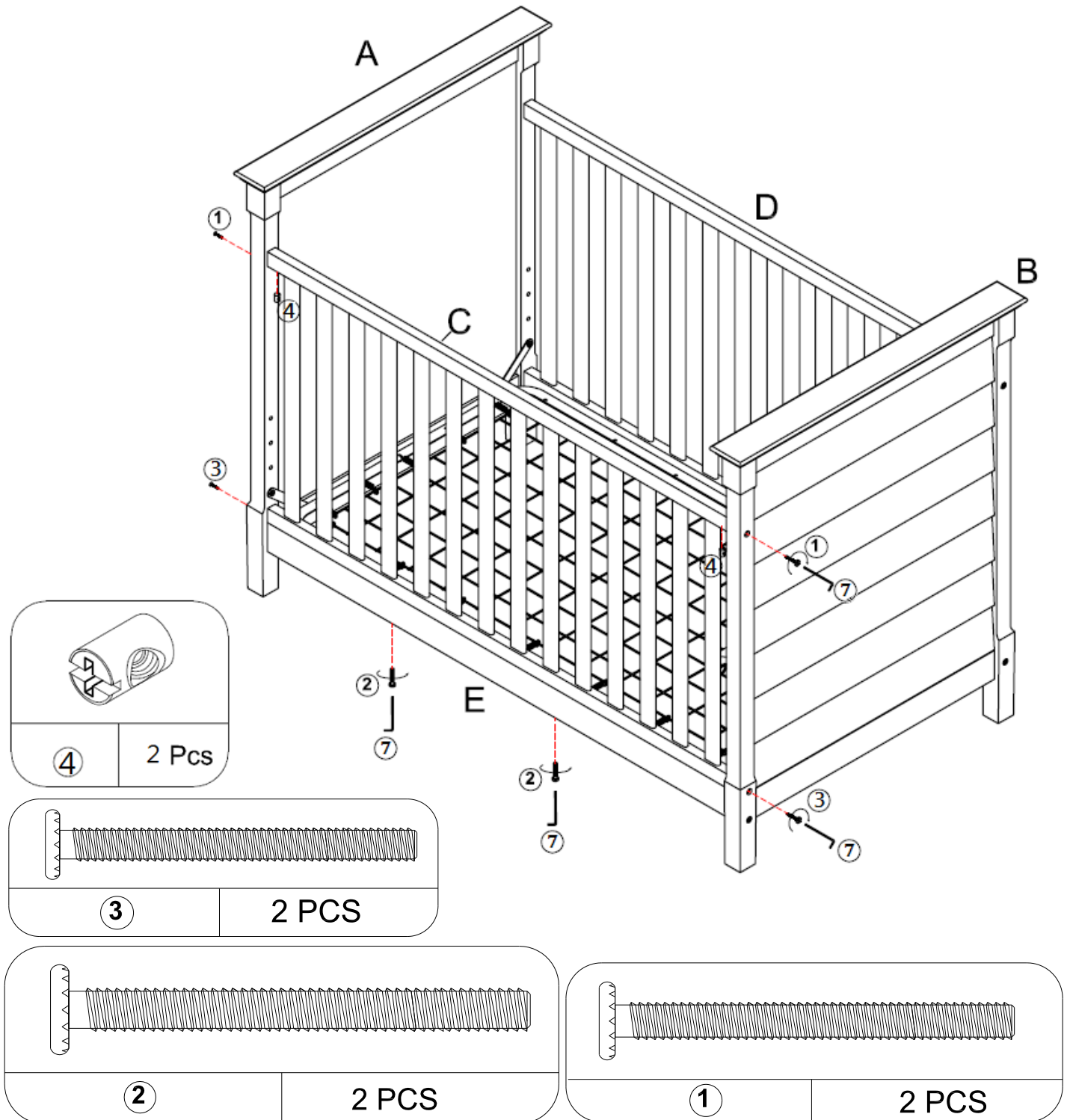
2 PCS

2 IN 1 CRIB DA7213B2

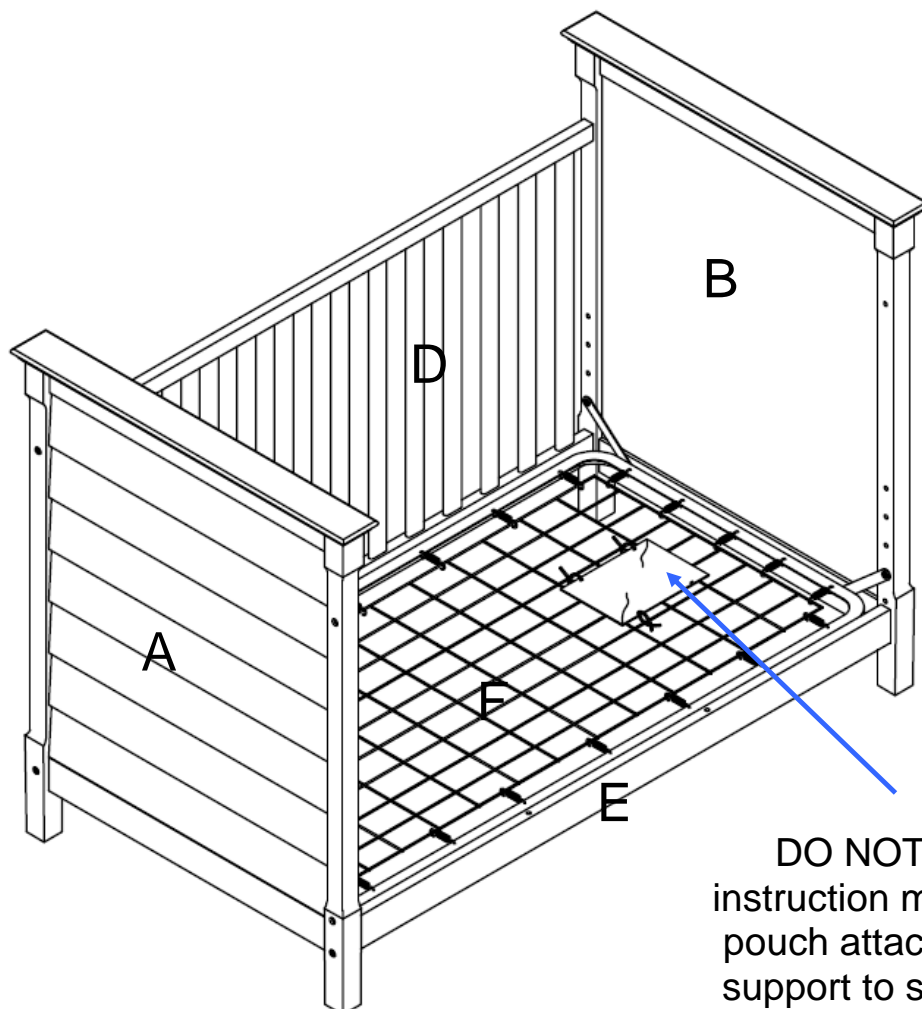
STEP 4

Attach front panel (C) to front rail (E) using bolts (2).

Attach front panel (C) to left panel (A) and right panel (B) using bolts (1) with barrel nuts (4) and bolts (3). Use Allen key (7) to tighten all bolts.



2 IN 1 CRIB DA7213B2



NOTE:

DO NOT throw away this instruction manual. Use the crib pouch attached to the mattress support to store this manual for future use.



WARNINGS:

- * **CAUTION-** ANY MATTRESS USED IN THIS CRIB MUST BE AT LEAST 27-1/4 INCHES BY 51-5/8 INCHES (69CM BY 131CM) WITH A THICKNESS NOT EXCEEDING 6 INCHES (15CM).
- * The day bed is not intended for children under 15 months of age or over 50 lbs (22.7 kgs).

DAY BED ASSEMBLY INSTRUCTION: STARTING FROM CRIB

STEP 1: Unscrew bolts (1 & 3) from left panel (A) and right panel (B) with Allen Key (7).

STEP 2: Unscrew bolts (2) underneath front rail (E) with Allen Key (7) and detach front panel (C).

STEP 3: If mattress support (F) is not in the lowest position, unscrew mattress support bolts (6) from left/right panels (A & B) and move to the lowest position.

STEP 4: Ensure all bolts are tightly secured.

DAY BED ASSEMBLY: STARTING FROM SCRATCH

STEP 1: Follow steps 1 to 3 of the crib assembly instructions.

2 IN 1 CRIB DA7213B2



CAUTION: This unit is intended for use only with the products and/or maximum weights indicated. Use with other products and/or products heavier than the maximum weights indicated may result in instability or cause possible injury.

ANY MATTRESS USED IN THIS CRIB
MUST BE AT LEAST 27-1/4 INCHES
BY 51-5/8 INCHES (69CM BY 131CM)
WITH A THICKNESS NOT
EXCEEDING 6 INCHES (15CM).

Stop using crib when child begins
to climb out or reaches the height
of 35 inches (89 cm).

Maximum weight not to exceed 50
pounds when used as a crib.

The DAY BED is not intended for
children under 15 months of age or
over 50 pounds (22.7 kgs).



That's it ! You've finished assembling your 2 in 1 crib!

DO NOT RETURN PRODUCT TO THE STORE.
If a part is missing or damaged, contact our customer service
department. We will replace the part **FREE** of charge.



Tel #: 1-800-295-1980
E-Mail: das@dorel.com
Fax #: 514-353-7819

Customer Service

PLEASE DO NOT RETURN THIS PRODUCT TO THE STORE

PLEASE CONTACT CUSTOMER SERVICE REPRESENTATIVES AT THE FOLLOWING NUMBERS SHOULD THERE BE ANY MISSING OR DEFECTIVE PART(S).

Customer Service Phone Number 1-800-295-1980

Email: das@dorel.com

Customer Service Fax Number 514-353-7819

Request Date:

Name:

Shipping Address:

Street & Number:

City & State:

Zip Code:

Day Time Phone Number:

(including area code)

Date & Place of Purchase:

Part(s) description and quantity: (Please be sure to list model number or SKN number)

Customer Service Representative Mailing Address:

Customer Service Department No. 413, 12345 Albert-Hudon Boulevard, Suite 100, Montreal, QC, Canada, H1G 3L1