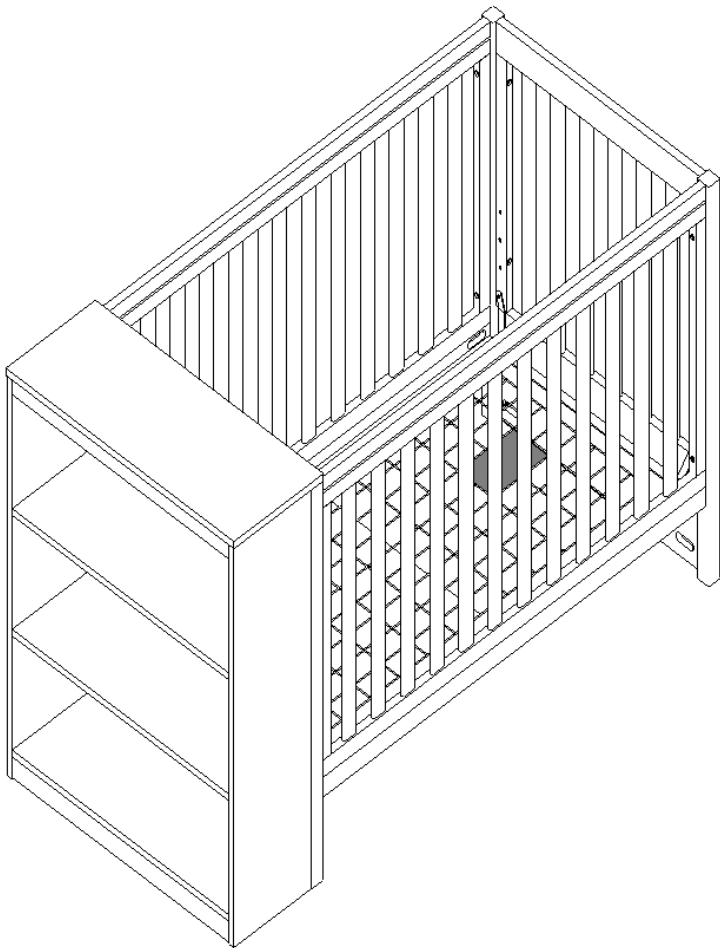


DOREL ASIA



STORAGE CRIB



Model No:

DA1412 (WHITE & GREY)

DA1412W (WHITE)

UPC CODE:

DA1412: 0-65857-16943-0

DA1412W: 0-65857-16944-7

NOTE:

THIS INSTRUCTION BOOKLET
CONTAINS **IMPORTANT** SAFETY
INFORMATION. PLEASE READ AND
KEEP FOR FUTURE REFERENCE.

Lot number:

(TAKEN FROM CARTON)

Date of purchase:

____ / ____ / ____

DO NOT RETURN PRODUCT TO THE STORE.
If a part is missing or damaged, contact our customer service
department. We will replace the part **FREE** of charge.



Tel #: 1-800-295-1980

E-Mail: das@dorel.com

Fax #: 514-353-7819

CUSTOMER SERVICE

If you are missing parts or have any questions about this product, contact our customer service representative first!



CALL 1-800-295-1980

You can also order parts by writing to the address listed below. Please include the product model number, color and a detailed description of the part.

**Customer Service Department No. 413
12345 Albert-Hudon Boulevard, Suite 100
Montreal, Quebec
Canada, H1G 3L1**

E-MAIL: das@dorel.com



WARNING

- * Failure to follow these warnings and assembly instructions could result in serious injury or death.
- * Read all instructions before assembling crib. **KEEP INSTRUCTIONS FOR FUTURE USE.**
- * Check this product for damaged hardware, loose joints, loose bolts or other fasteners, missing parts or sharp edges before assembly and frequently during use. Securely tighten loose bolts and other fasteners. **DO NOT** use crib if any parts are missing, damaged or broken. Contact a customer service representative at 1-800-295-1980 for replacement parts and instructional literature if needed. **DO NOT** substitute parts.
- * Infants can suffocate on soft bedding. Never add a pillow or comforter. Never place additional padding under an infant.
- * Stop using the crib when child begins to climb out or reaches the height of 35 inches (89 cm).
- * To reduce the risk of SIDS, pediatricians recommend healthy infants be placed on their backs to sleep, unless otherwise advised by your physician.
- * **DO NOT** place crib near window where cords from blinds or drapes may strangle a child.
- * Strings can cause strangulation! **DO NOT** place items with a string around a child's neck, such as hood strings or pacifier cords. **DO NOT** suspend strings over a crib or attach strings to toys.
- * To help prevent strangulation tighten all fasteners. A child can trap parts of the body or clothing on loose fasteners.
- * If refinishing, use a non-toxic finish specified for children's products.
- * When child is able to pull to standing position, set mattress to lowest position and remove bumper pads, large toys and other objects that could serve as steps for climbing out.
- * Never use plastic shipping bags or other plastic film as mattress covers because they can cause suffocation.
- * Replace teething rail if damaged or loose (if teething rail is provided for this model).
- * **CAUTION: ANY MATTRESS USED IN THIS CRIB MUST BE AT LEAST 27-1/4 INCHES BY 51-5/8 INCHES (69CM BY 131CM) WITH A THICKNESS NOT EXCEEDING 6 INCHES (15CM).**
- * Infants can suffocate in gaps between crib sides and a mattress that is too small.
- * Follow warnings on all products in a crib.
- * **INFANTS HAVE DIED IN TODDLER BEDS FROM ENTRAPMENT.** Openings in and between bed parts can entrap head and neck of a small child.
- * NEVER use bed with children under 15 months or over 50 lbs.
- * ALWAYS follow assembly instructions.
- * **STRANGULATION HAZARD.** NEVER place bed near windows where cords from blinds or drapes may strangle a child.
- * NEVER suspend strings over a bed.
- * NEVER place items with a string, cord, or ribbon around a child's neck, such as hood strings or pacifier cords. These items can catch on bed parts.
- * **CAUTION**
ENTRAPMENT HAZARD. To avoid dangerous gaps, any mattress used on this bed shall be a full-size crib mattress at least 51-5/8 inches (1310 mm) in length, 27-1/4 inches (690 mm) in width, and a max thickness of 6 inches (150 mm).

NOTES

- * Ensure all parts and components are present before beginning assembly.
- * Read all instructions before use of the storage. **KEEP INSTRUCTIONS FOR FUTURE USE.**
- * Assemble on a soft, smooth surface to prevent damage to product finish.
- * **DO NOT** use power tools.
- * **DO NOT** use the unit if it is damaged or broken.
- * **CAUTION:** Adult assembly required.
- * Assembly will require two people.
- * Estimated assembly time for storage crib: 60 minutes.

CARE AND CLEANING

Dust regularly with a soft, lint-free cloth to prevent soil build-up. A damp cloth may be used occasionally to clean surface. Dry immediately. Do not use any abrasives that may damage finish. Excessive exposure to sunlight and extreme changes in temperature and moisture can damage wood furniture.

MAINTENANCE

Check bolts/screws periodically and tighten them if necessary.

LIMITED WARRANTY

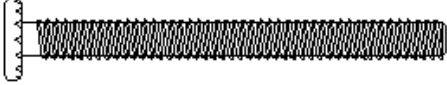
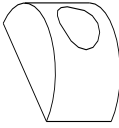
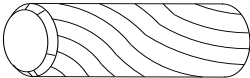
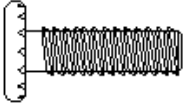


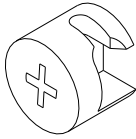
Dorel Asia warrants its product to be free from defects in material and workmanship and agrees to remedy any such defect. This warranty covers 1 year from the date of original purchase. This warranty is valid only upon presentation of proof of purchase. This is solely limited to the repair or replacement of defective furniture components and no assembly labor is included. This warranty does not apply to any product which has been improperly assembled, subjected to misuse or abuse or which has been altered or repaired in any way. This warranty gives you specific legal rights and you may also have other rights which vary from State to State.



WARNING: Should this product become damaged, and/or components are broken or missing, DO NOT USE.

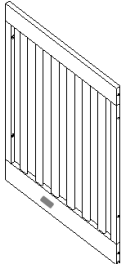
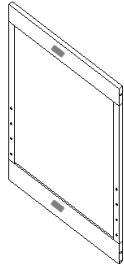
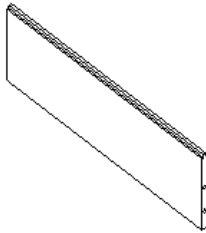
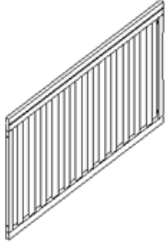
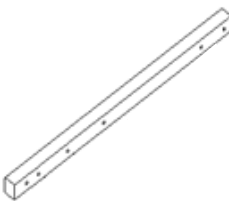
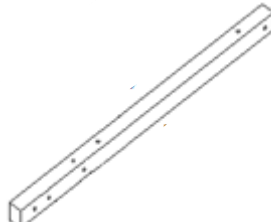
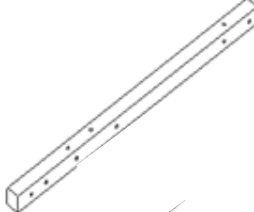
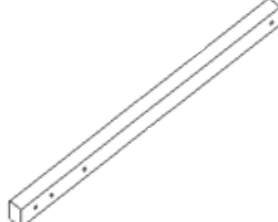
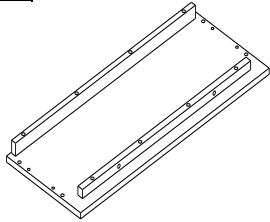
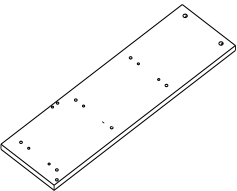
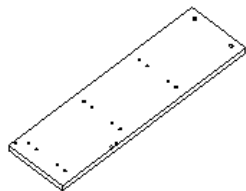
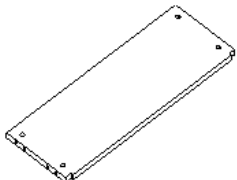
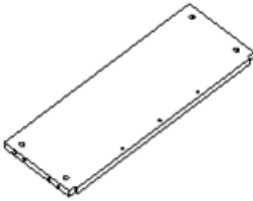
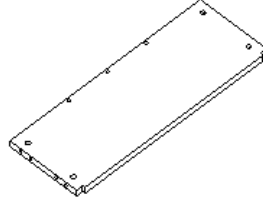
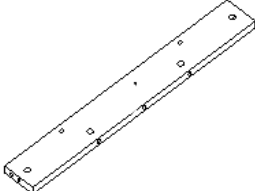
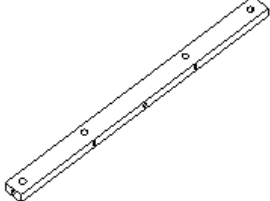
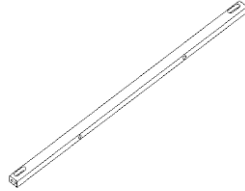
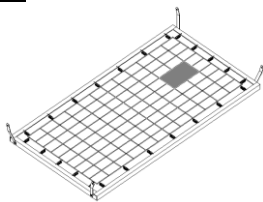
STORAGE CRIB DA1412 / DA1412W

HARDWARE LIST

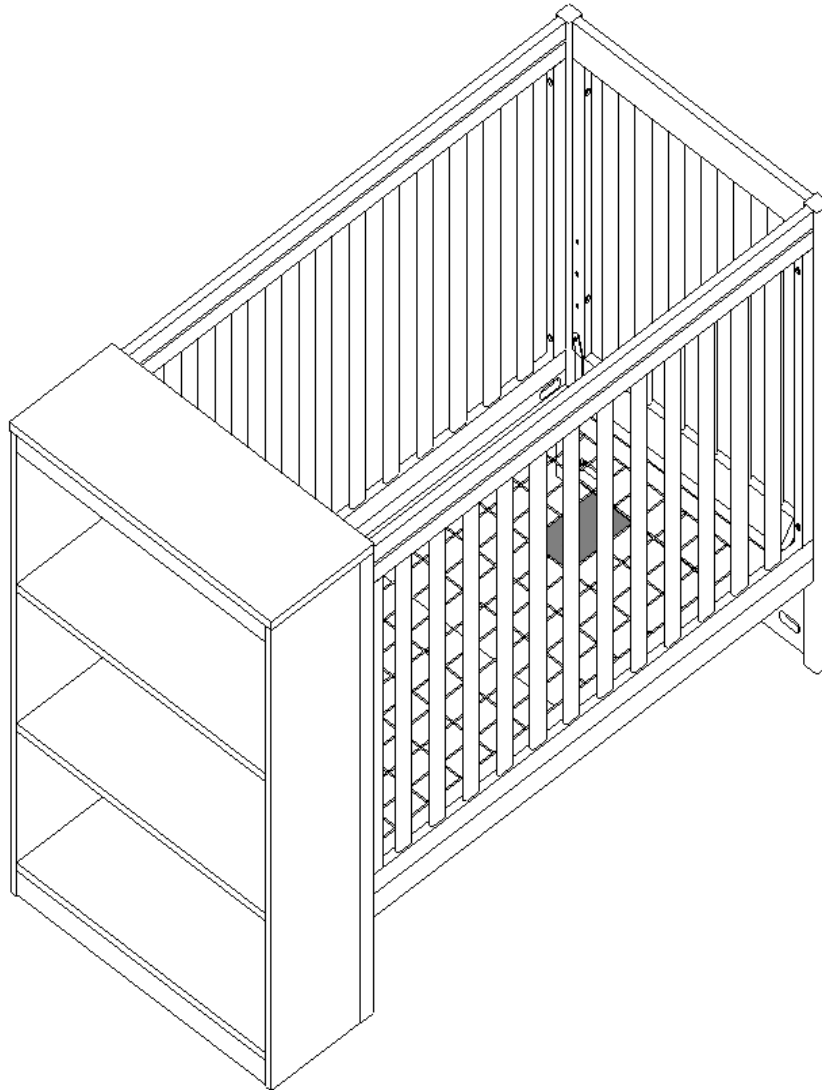
| | |
|---|---|
| <p style="text-align: center;">1</p>  <p style="text-align: center;">Ø1/4" x 40 mm</p> | <p style="text-align: center;">2</p>  <p style="text-align: center;">12 x 15 x 8 mm T.</p> |
| <p style="text-align: center;">BOLT 32 PCS</p> | <p style="text-align: center;">CURVED NUT 12 PCS</p> |
| <p style="text-align: center;">3</p>  <p style="text-align: center;">Ø8 x 30 mm</p> | <p style="text-align: center;">4</p>  <p style="text-align: center;">Ø1/4" x 12 mm</p> |
| <p style="text-align: center;">WOOD DOWEL 34 PCS</p> | <p style="text-align: center;">MATTRESS SUPPORT BOLT 16 PCS</p> |
| <p style="text-align: center;">5</p>  | <p style="text-align: center;">6</p>  <p style="text-align: center;">M6 X 35 mm</p> |
| <p style="text-align: center;">ALLEN KEY 1 PC</p> | <p style="text-align: center;">CAM BOLT 24 PCS</p> |
| <p style="text-align: center;">7</p>  <p style="text-align: center;">Ø15 x 9.5mm</p> | |
| <p style="text-align: center;">CAM LOCK 24 PCS</p> | |

STORAGE CRIB DA1412 / DA1412W

PARTS LIST

| | | | |
|---|---|--|---|
| <p>A</p>  | <p>B</p>  | <p>C</p>  | <p>D</p>  |
| <p>RIGHT SIDE PANEL 1 PC</p> | <p>LEFT SIDE PANEL 1 PC</p> | <p>CRIB BOTTOM PANEL 2 PCS</p> | <p>FRONT/BACK PANEL 2 PCS</p> |
| <p>E</p>  | <p>F</p>  | <p>G</p>  | <p>H</p>  |
| <p>LEFT FRONT POST 1 PC</p> | <p>RIGHT FRONT POST 1 PC</p> | <p>LEFT BACK POST 1 PC</p> | <p>RIGHT BACK POST 1 PC</p> |
| <p>I</p>  | <p>J</p>  | <p>K</p>  | <p>L</p>  |
| <p>TOP PANEL 1 PC</p> | <p>LEFT PANEL 1 PC</p> | <p>RIGHT PANEL 1 PC</p> | <p>MIDDLE PANEL 1 PC</p> |
| <p>M</p>  | <p>N</p>  | <p>O</p>  | <p>P</p>  |
| <p>MIDDLE PANEL 1 PC</p> | <p>BOTTOM PANEL 1 PC</p> | <p>STORAGE RAIL 1 PC</p> | <p>STORAGE RAIL 1 PC</p> |
| <p>Q</p>  | <p>R</p>  | | |
| <p>BOTTOM RAIL 2 PCS</p> | <p>MATTRESS SUPPORT 1 PC</p> | | |

STORAGE CRIB DA1412 / DA1412W



CRIB ASSEMBLY INSTRUCTION

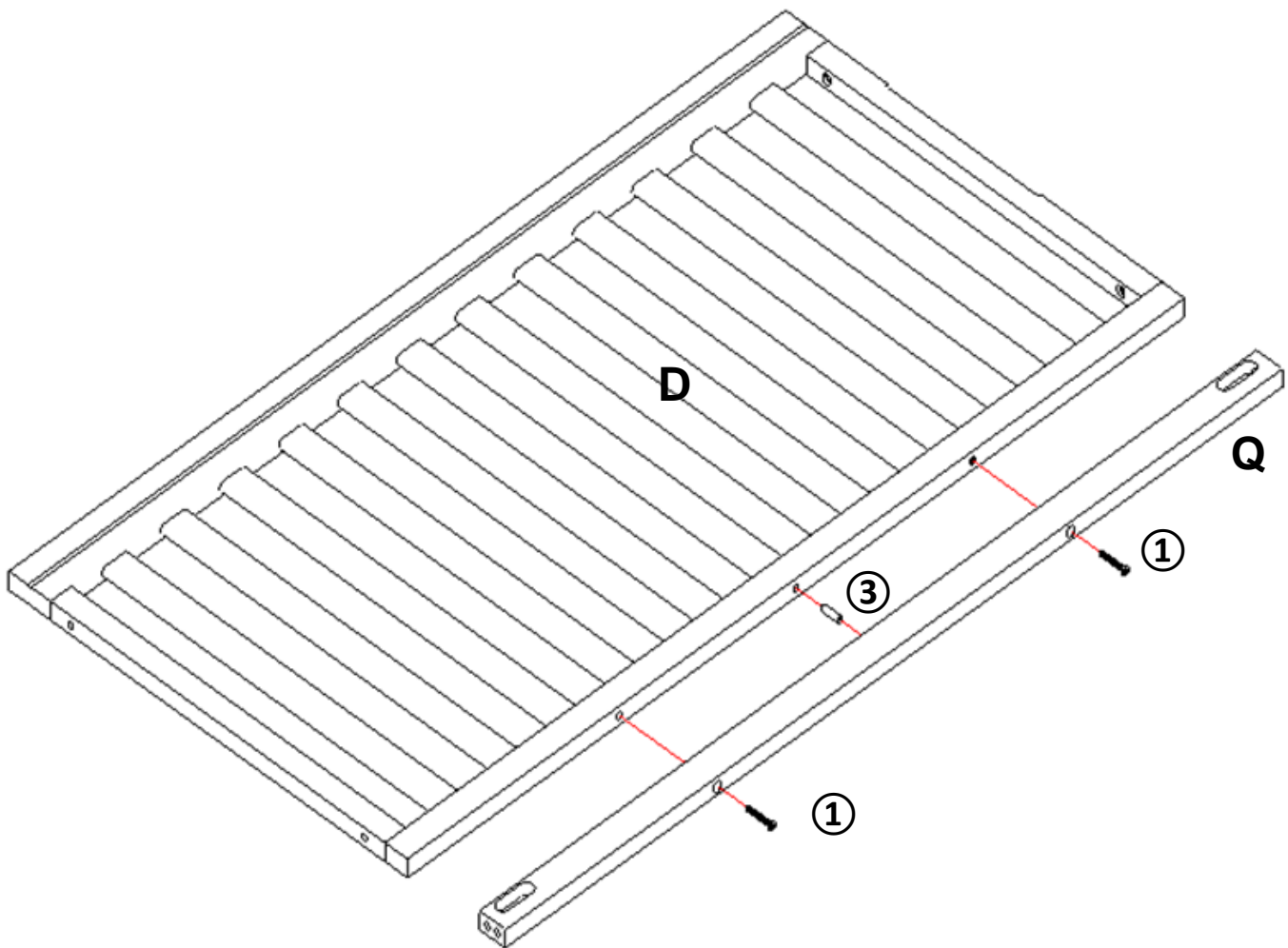
NOTE: When inserting bolts, turn clockwise until tight. Then loosen 1/2 - 3/4 of a turn. After crib is completely assembled, return to each bolt and tighten. Use wax or soap on all bolts to facilitate assembly.

STORAGE CRIB

DA1412 / DA1412W

STEP 1

Insert wood dowel (3) into front/back panel (D) as shown.
Attach bottom rail (Q) to front/back panel (D) with bolts (1). Use Allen Key (5) to tighten bolts(1).
Repeat this step to assemble the other front/back panel (D) and bottom rail (Q).



| | | | | | |
|---|--|-------|---|--|-------|
| 1 | | 4 PCS | 3 | | 2 PCS |
|---|--|-------|---|--|-------|

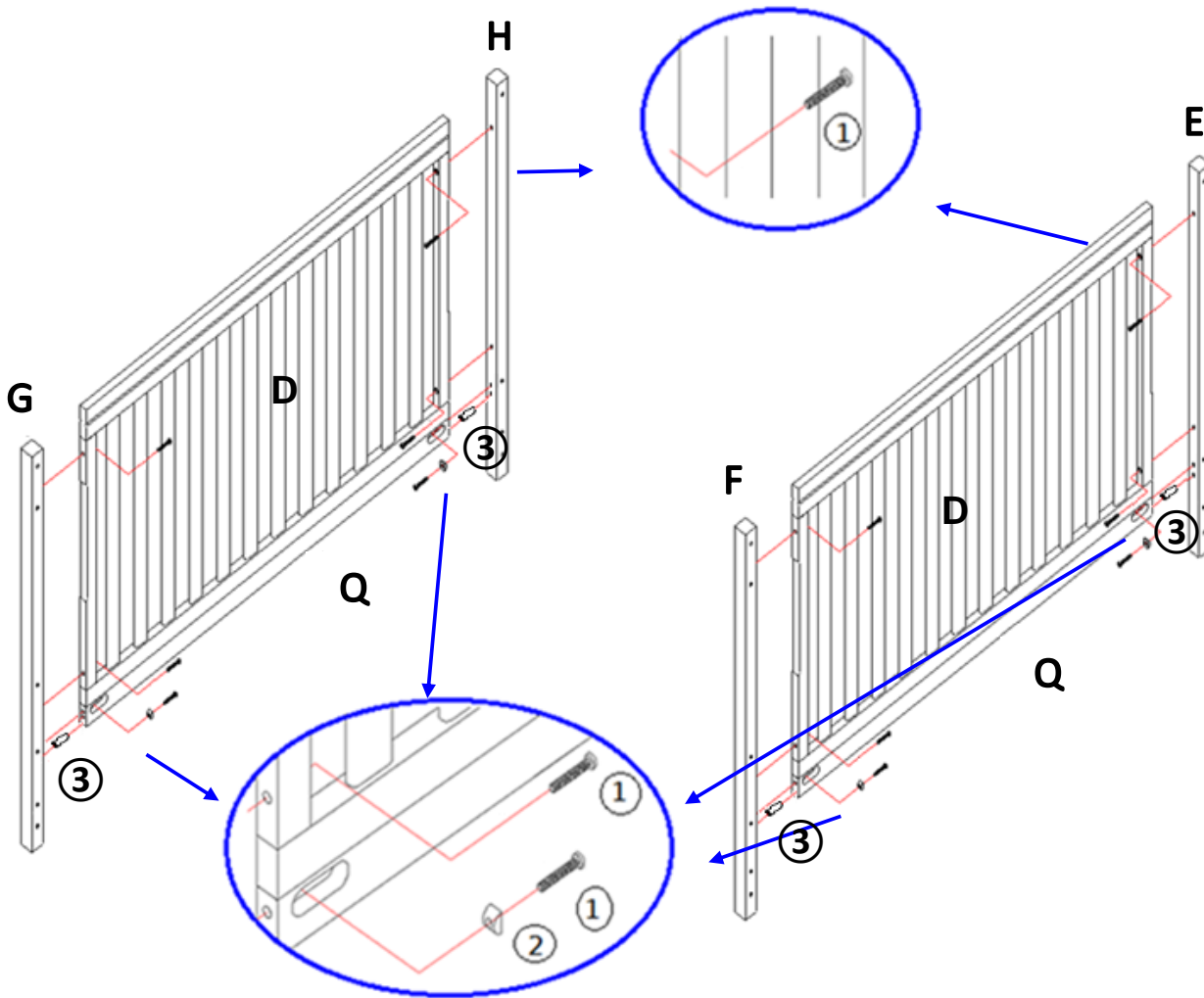
STORAGE CRIB



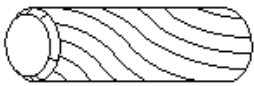
DA1412 / DA1412W

STEP 2

Insert wood dowels (3) to bottom rail (Q). Attach the front posts (E & F) and back posts (G & H) to the front/back panels (D) and bottom rails (Q) using bolts (1) and curved nuts (2) as shown below.

Use Allen Key (5) to tighten all bolts (1).



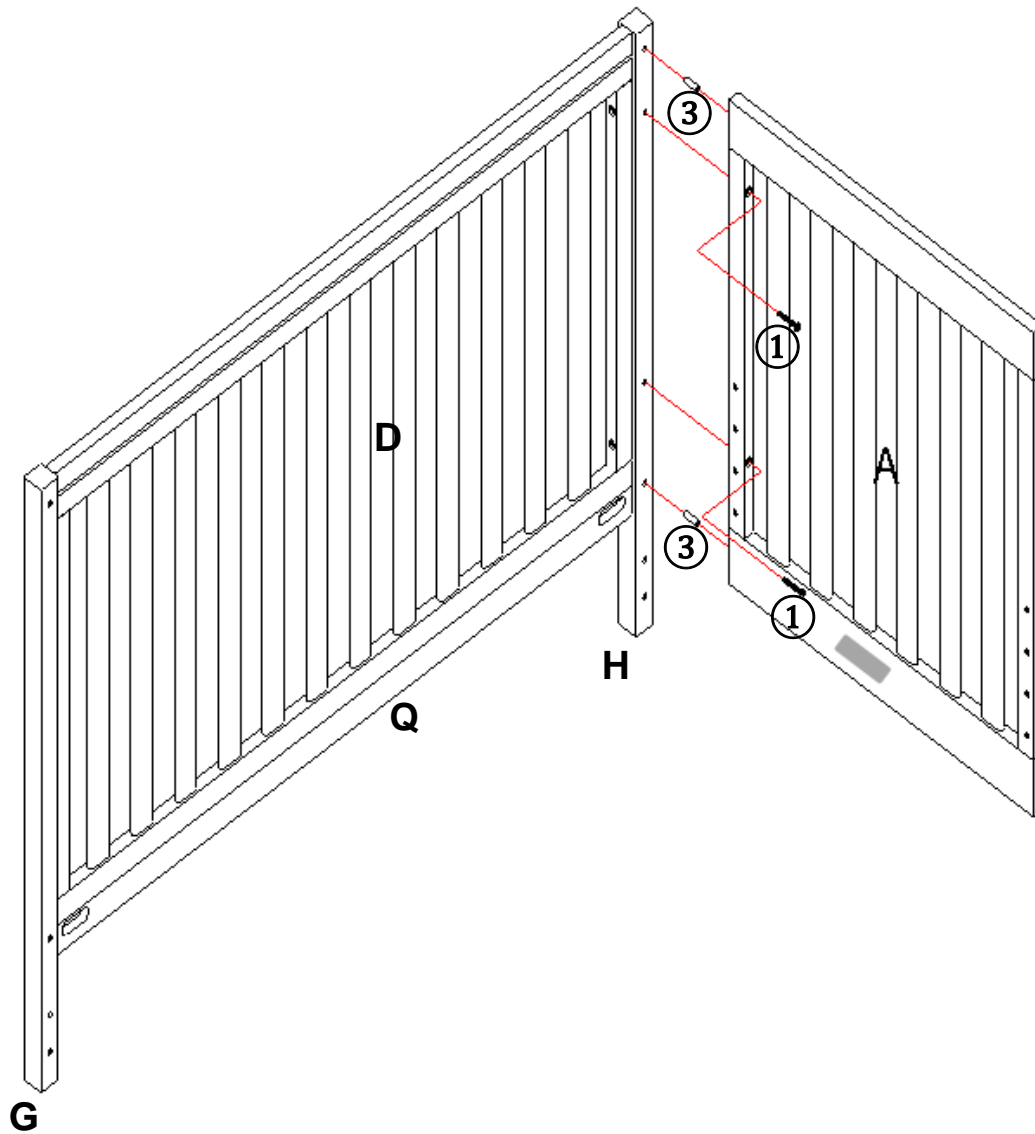
| | | | | | |
|---|---|--------|---|---|-------|
| | | | 2 |  | 4 PCS |
| 1 |  | 12 PCS | 3 |  | 4 PCS |

STORAGE CRIB

DA1412 / DA1412W

STEP 3

Insert wood dowels (3) into right back post (H) as shown.
Attach right side panel (A) to right back post (H) using bolts (1). Use Allen Key (5) to tighten all bolts (1).



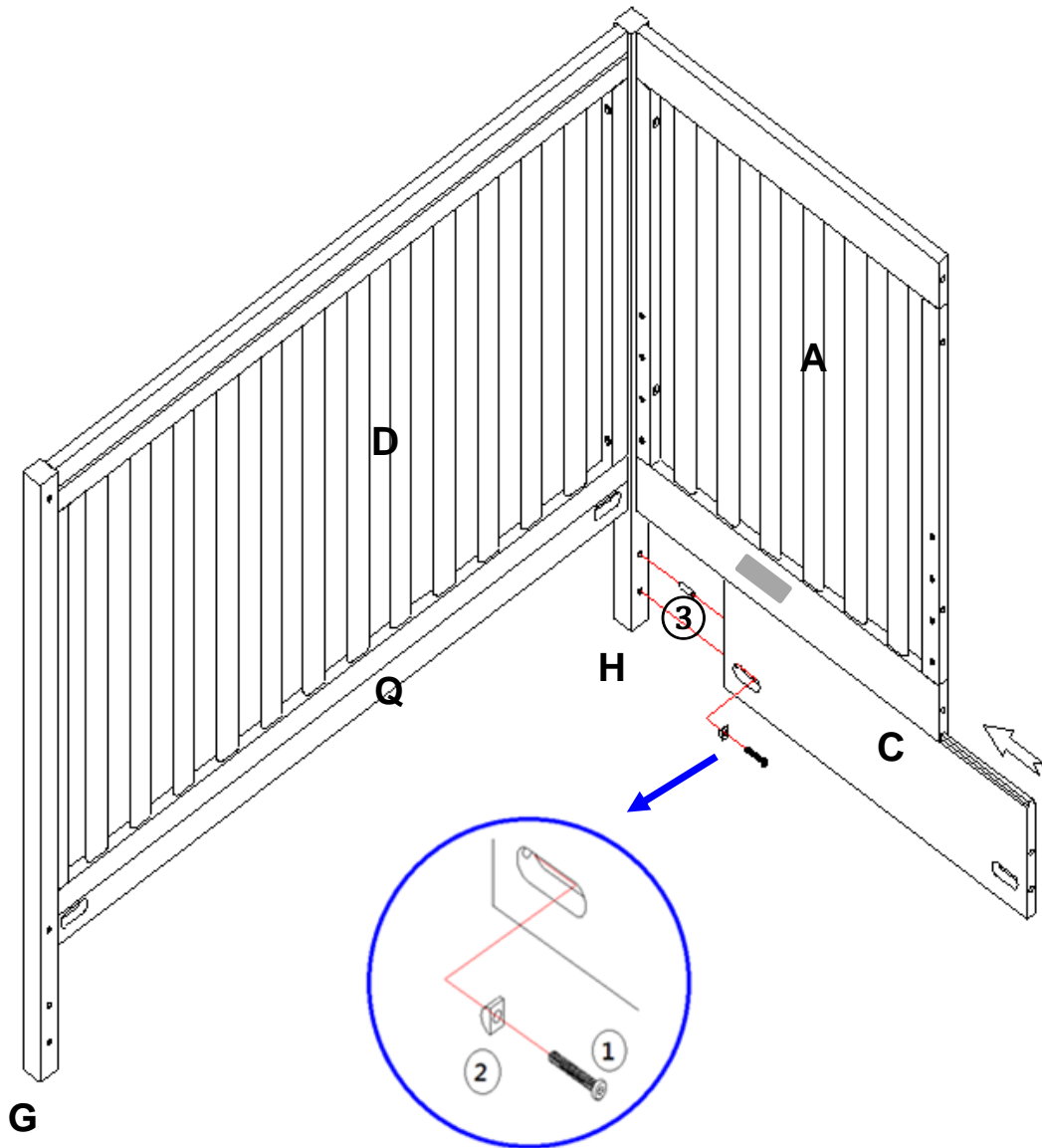
| | | | | | |
|---|--|-------|---|--|-------|
| 1 | | 2 PCS | 3 | | 2 PCS |
|---|--|-------|---|--|-------|



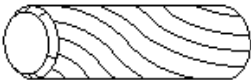
STORAGE CRIB

DA1412 / DA1412W

STEP 4

Insert wood dowel (3) into right back post (H) as shown.
 Slide in crib bottom panel (C) under right side panel (A).
 Secure crib bottom panel (C) to right back post (H) using bolt (1) and curved nut (2) as shown. Use Allen Key (5) to tighten bolt (1).



| | | | | | |
|---|---|------|---|---|------|
| | | | 2 |  | 1 PC |
| 1 |  | 1 PC | 3 |  | 1 PC |

STORAGE CRIB

DA1412 / DA1412W

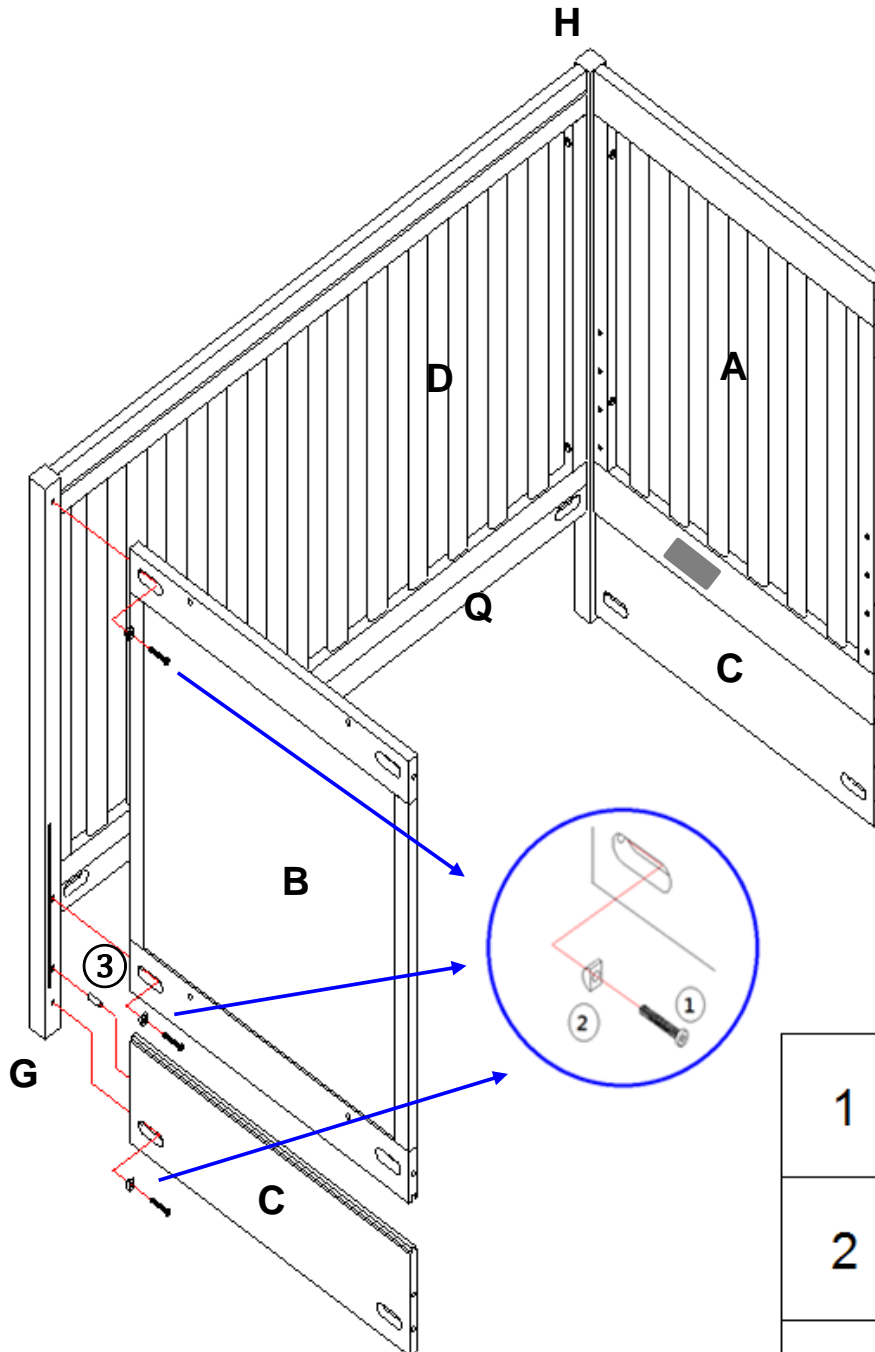
STEP 5

Attach left side panel (B) to left back post (G) with bolts (1) and curved nuts (2).

Insert wood dowel (3) into left back post (G).

Slide in crib bottom panel (C) under left side panel (B).

Secure crib bottom panel (C) to left back post (G) with bolt (1) and curved nut (2). Use Allen Key (5) to tighten all bolts (1).

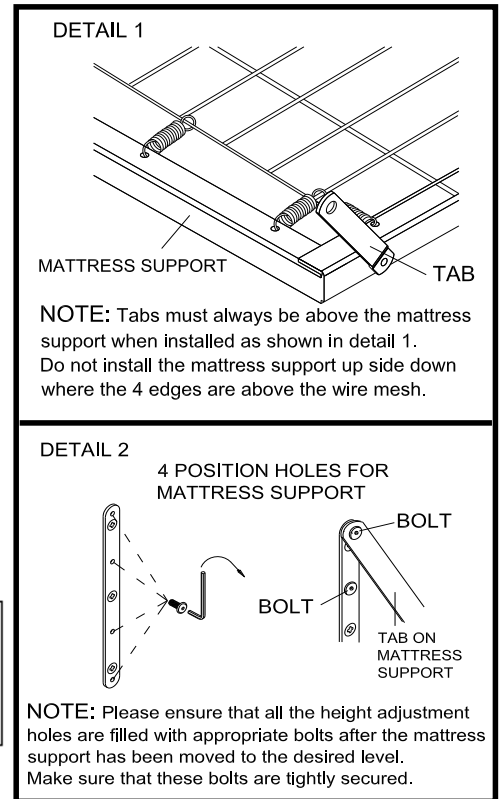
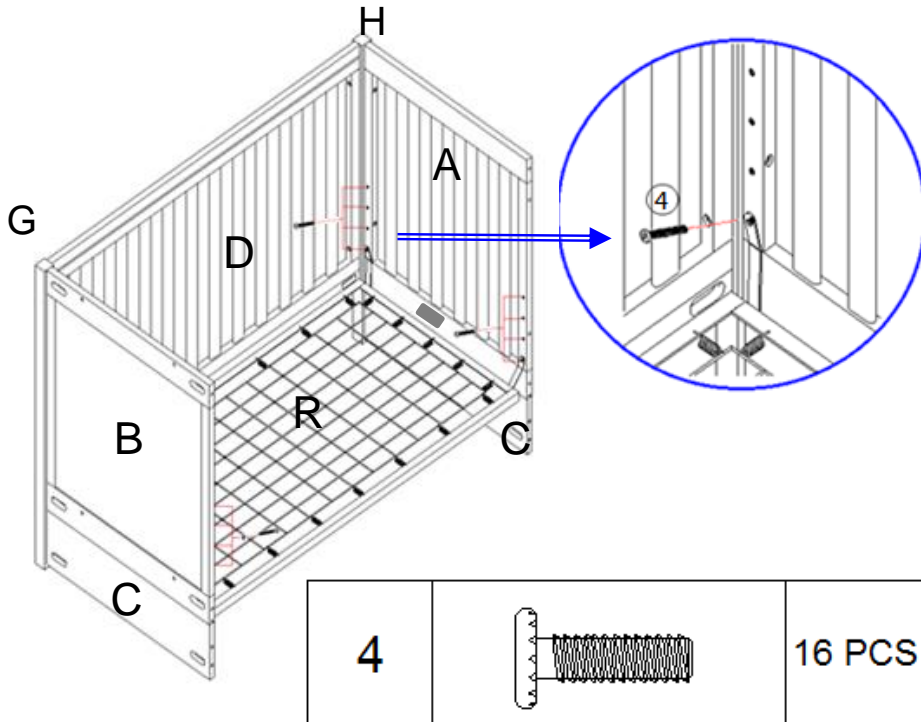


| | | |
|---|--|-------|
| 1 | | 3 PCS |
| 2 | | 3 PCS |
| 3 | | 1 PC |

STORAGE CRIB DA1412 / DA1412W

STEP 6

Attach mattress support (R) to right side panel (A) and left side panel (B) with mattress support bolts (4). Use Allen Key (5) to tighten all bolts.



✗ INCORRECT-
Raised edge should face down -this photo shows mattress support is upside down.



✗ INCORRECT-
Tabs on corners of mattress support should point up.



✓ CORRECT

- * Tabs to point UP.
- * Flat surface of mattress support to face up - mattress must sit on flat surface.

NOTE: The above photos and drawings showing how to properly attach the mattress support are for reference only. Crib styles and colors will vary.

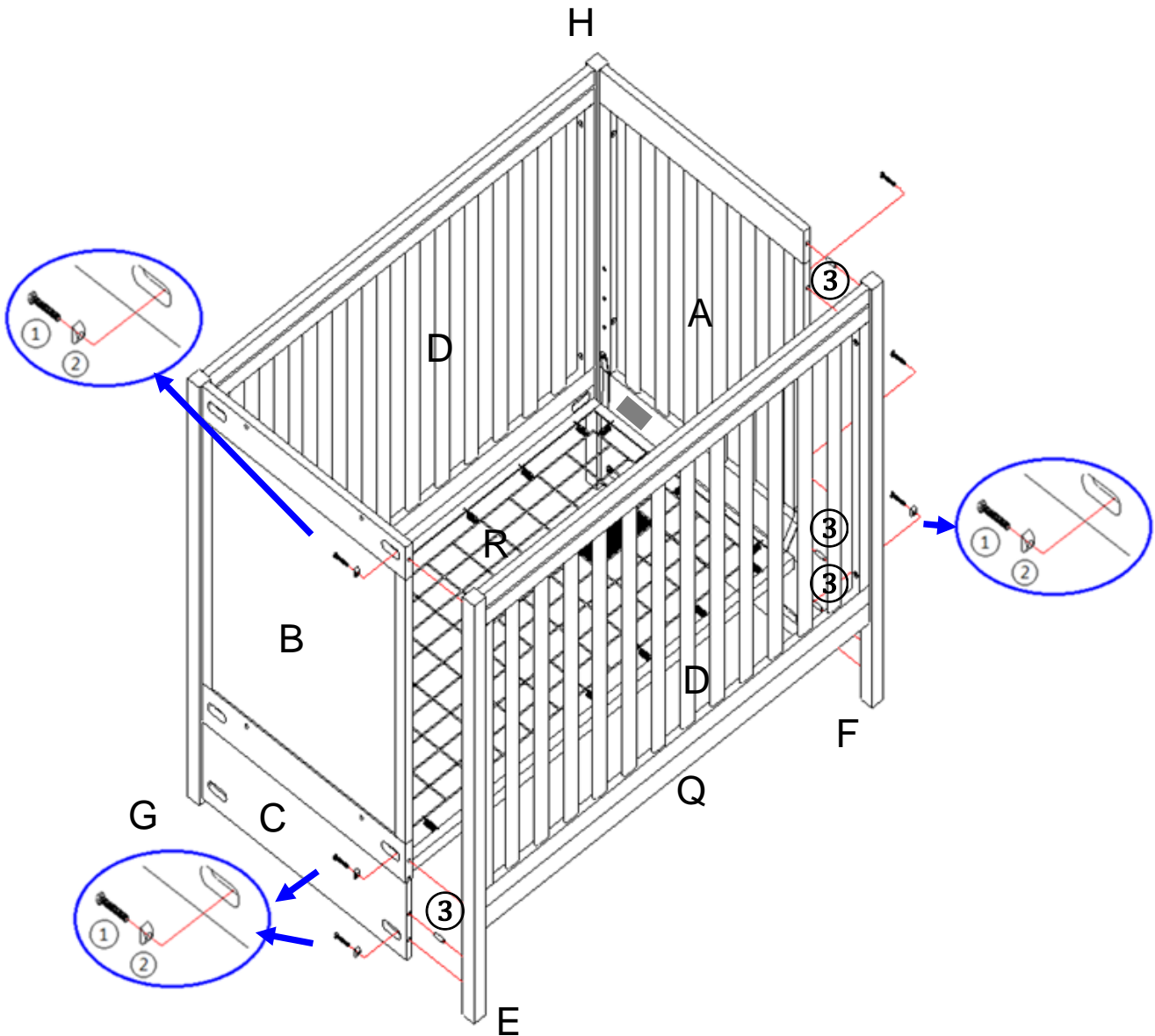
STORAGE CRIB


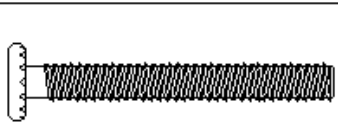
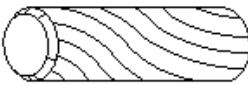
DA1412 / DA1412W

STEP 7

Insert three wood dowels (3) into right side panel (A) and one wood dowel (3) in left side panel (B) as shown below.

Attach the assembled front panel (D & Q) to side panels (A & B) using bolts (1) and curved nuts (2). Use Allen Key (5) to tighten all bolts (1).



| | | | | | |
|---|---|-------|---|---|-------|
| | | | 2 |  | 4 PCS |
| 1 |  | 6 PCS | 3 |  | 4 PCS |

STORAGE CRIB

DA1412 / DA1412W

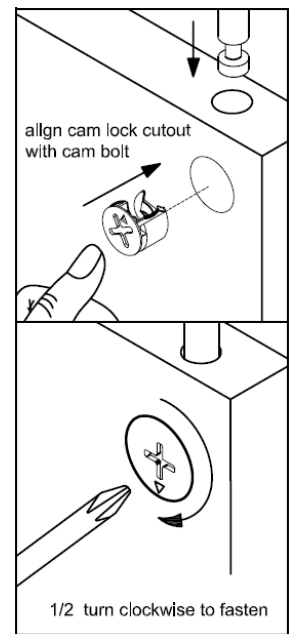
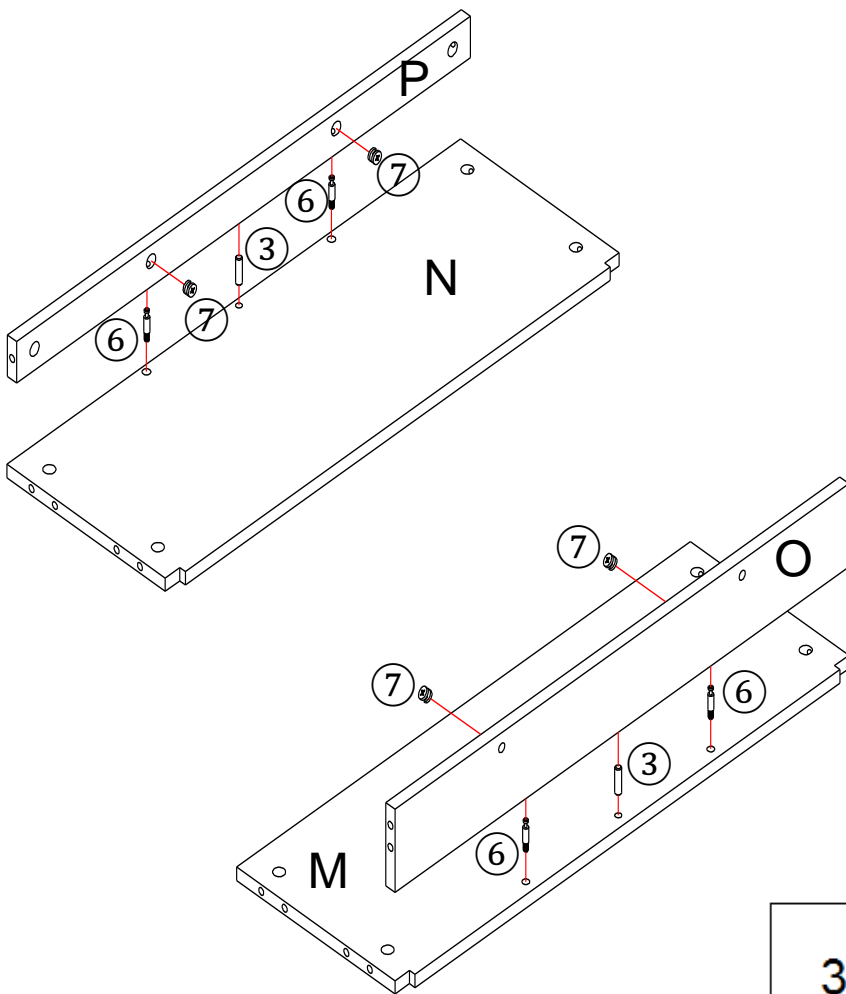
STEP 8

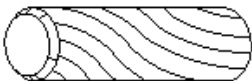


Insert wood dowel (3) and cam bolts (6) into bottom panel (N) as shown below.

Insert cam locks (7) into storage rail (P).

Attach storage rail (P) to bottom panel (N) and secure them together by rotating cam locks (7) 1/2 clockwise using a Phillips head screwdriver (not included).

Repeat this step with middle panel (M) and storage rail (O).



| | | |
|---|---|-------|
| 3 |  | 2 PCS |
| 6 |  | 4 PCS |
| 7 |  | 4 PCS |

STORAGE CRIB

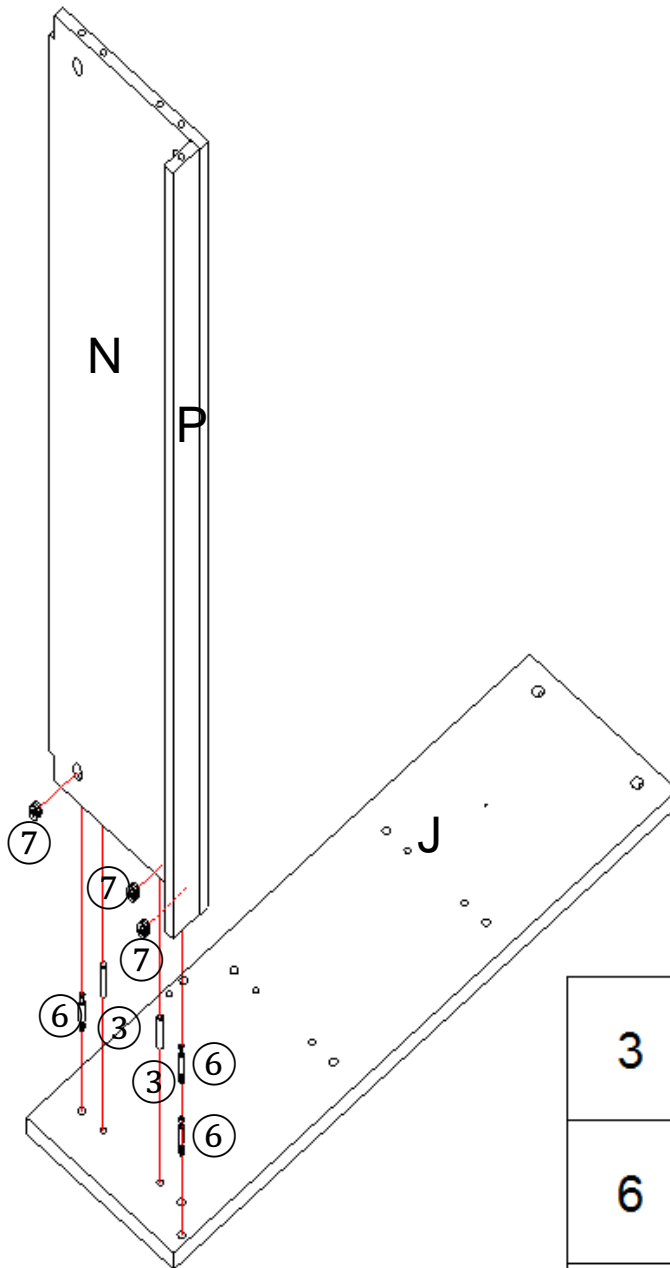
DA1412 / DA1412W

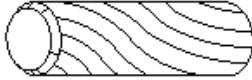
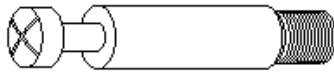

STEP 9

Insert wood dowels (3) and cam bolts (6) into left panel (J).

Insert cam locks (7) into the assembled bottom panel (N) and storage rail (P).

Attach assembled bottom panel (N & P) to left panel (J) and secure them together by rotating cam locks (7) 1/2 clockwise using a Phillips head screwdriver (not included).



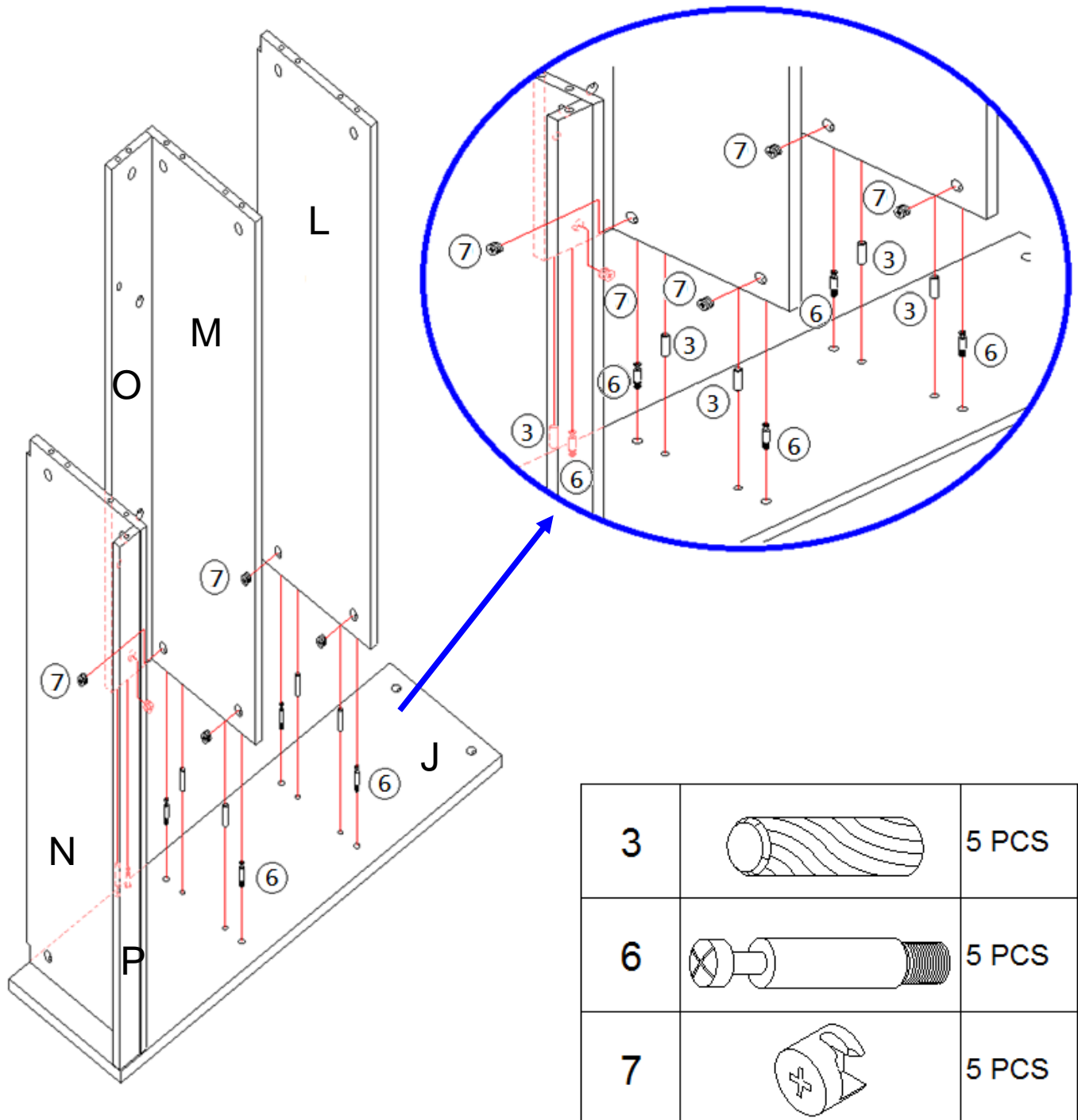
| | | |
|---|---|-------|
| 3 |  | 2 PCS |
| 6 |  | 3 PCS |
| 7 |  | 3 PCS |

STORAGE CRIB

DA1412 / DA1412W

STEP 10

Insert wood dowels (3) and cam bolts (6) into left panel (J) as shown below. Insert cam locks (7) into middle panel (M), storage rail (O) and middle panel (L). Attach middle panel (M), storage rail (O) and middle panel (L) to left panel (J) and secure them together by rotating cam locks (7) 1/2 clockwise using a Phillips head screwdriver (not included).

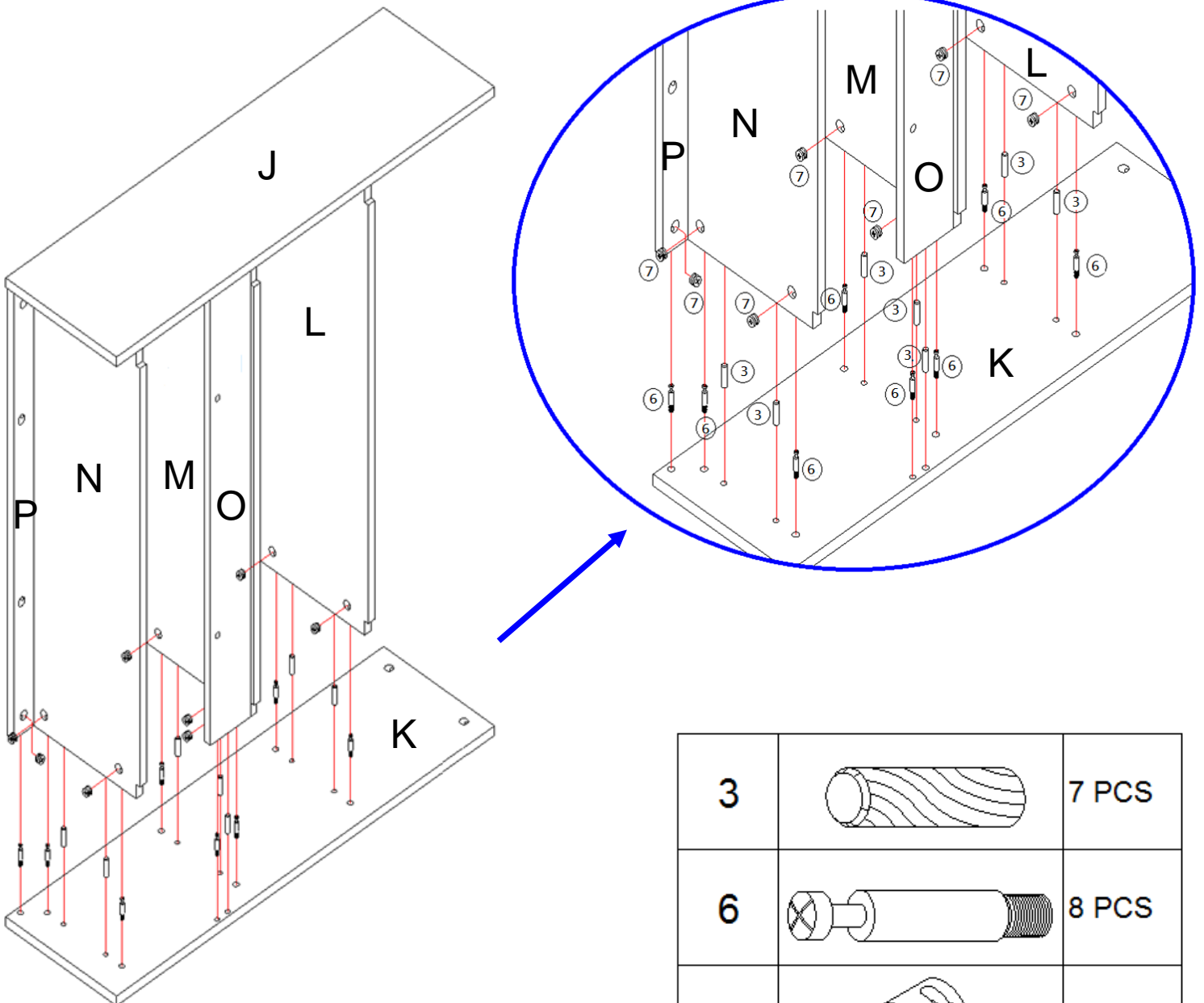


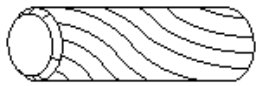
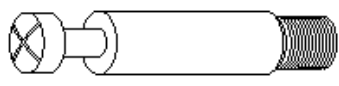

STORAGE CRIB

DA1412 / DA1412W

STEP 11

Insert wood dowels (3) and cam bolts (6) into right panel (K) as shown below. Insert cam locks (7) into bottom panel (N), middle panel (M), storage rail (O) and middle panel (L) as shown below. Attach right side panel (K) to the assembled unit and secure by rotating cam locks (7) 1/2 clockwise using a Phillips head screwdriver (not included).



| | | |
|---|---|-------|
| 3 |  | 7 PCS |
| 6 |  | 8 PCS |
| 7 |  | 8 PCS |

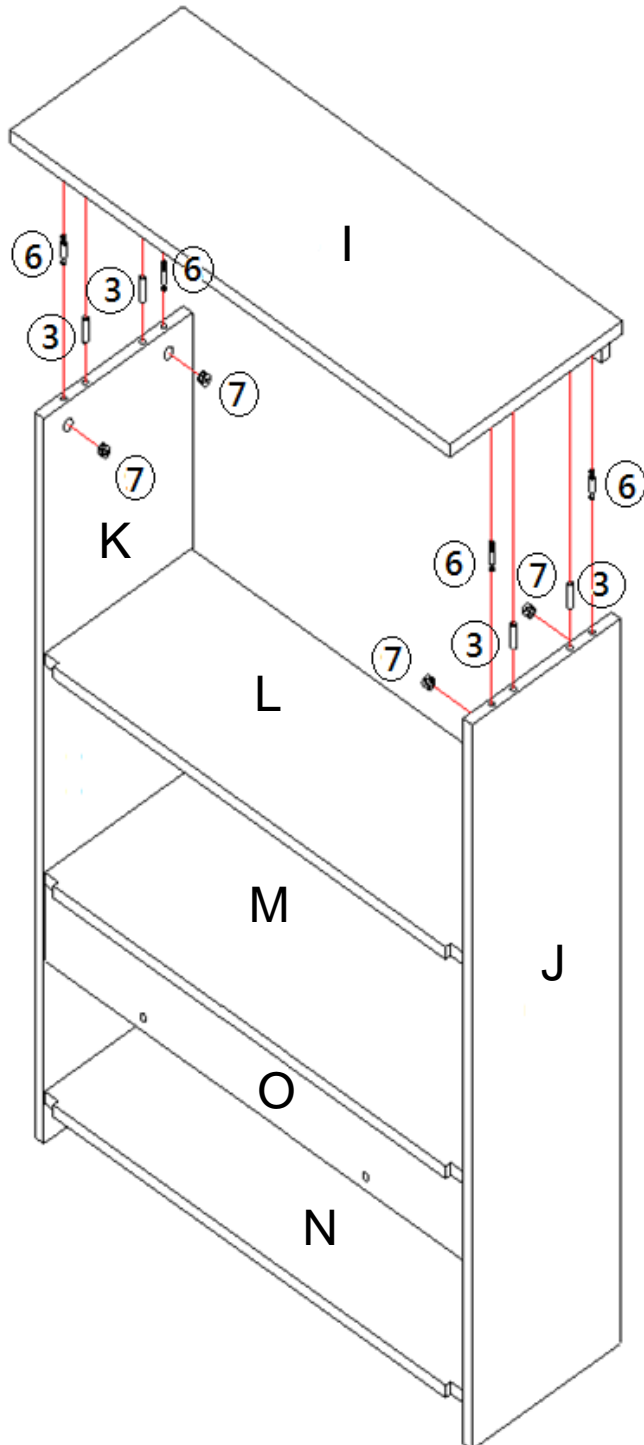
STORAGE CRIB DA1412 / DA1412W

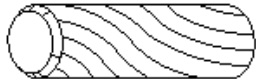
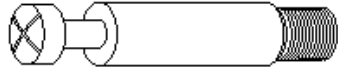

STEP 12

Insert cam locks (7) into side panels (J & K).

Insert wood dowels (3) and cam bolts (6) into top panel (I).

Attach top panel (I) to the assembled unit and secure it by rotating cam locks (7) 1/2 clockwise using a Phillips head screwdriver (not included).

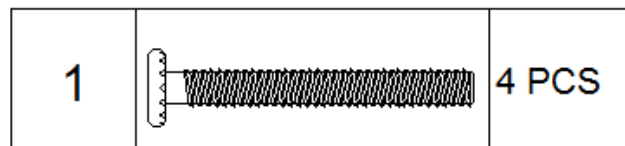
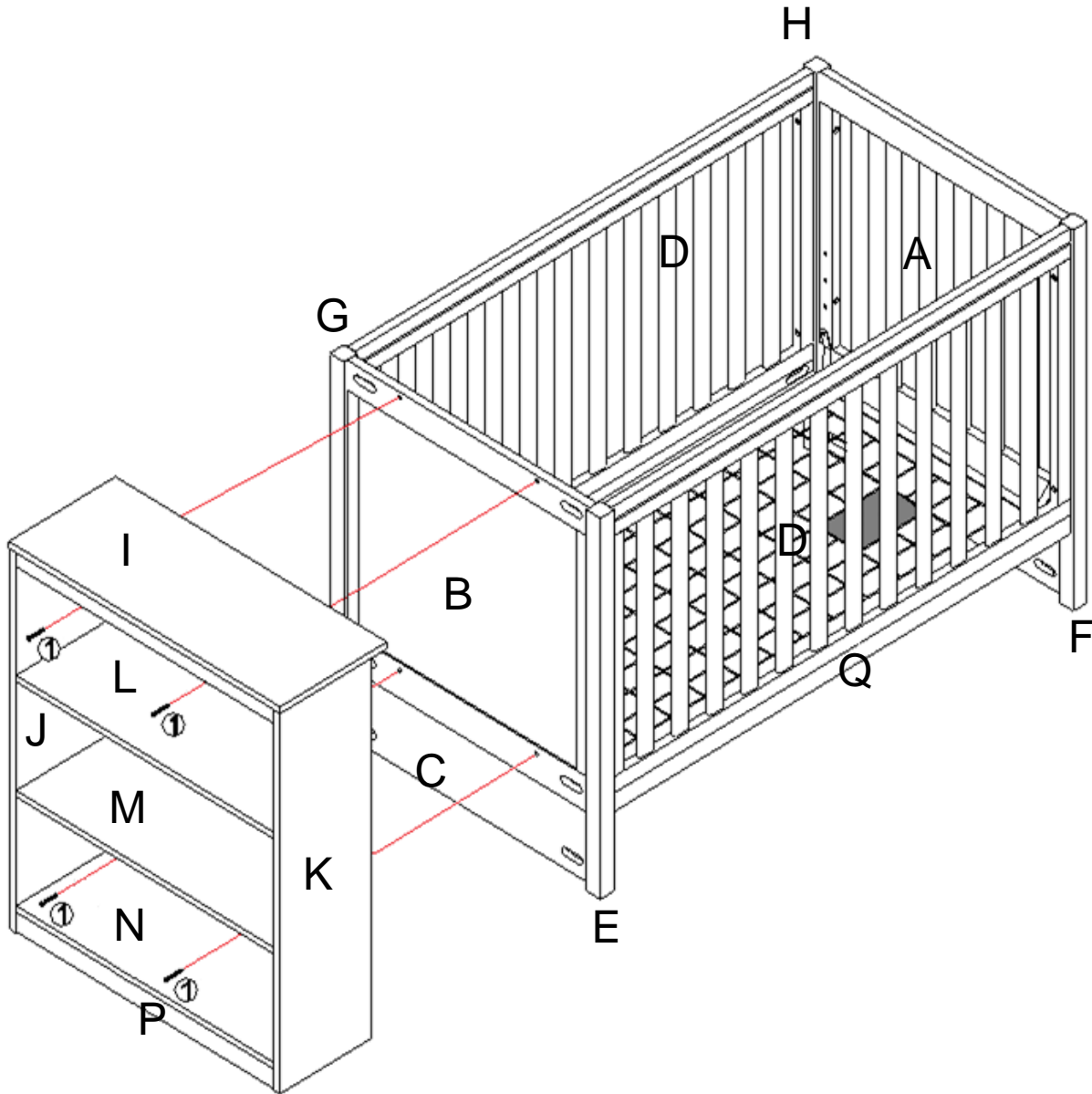


| | | |
|---|---|-------|
| 3 |  | 4 PCS |
| 6 |  | 4 PCS |
| 7 |  | 4 PCS |

STORAGE CRIB DA1412 / DA1412W

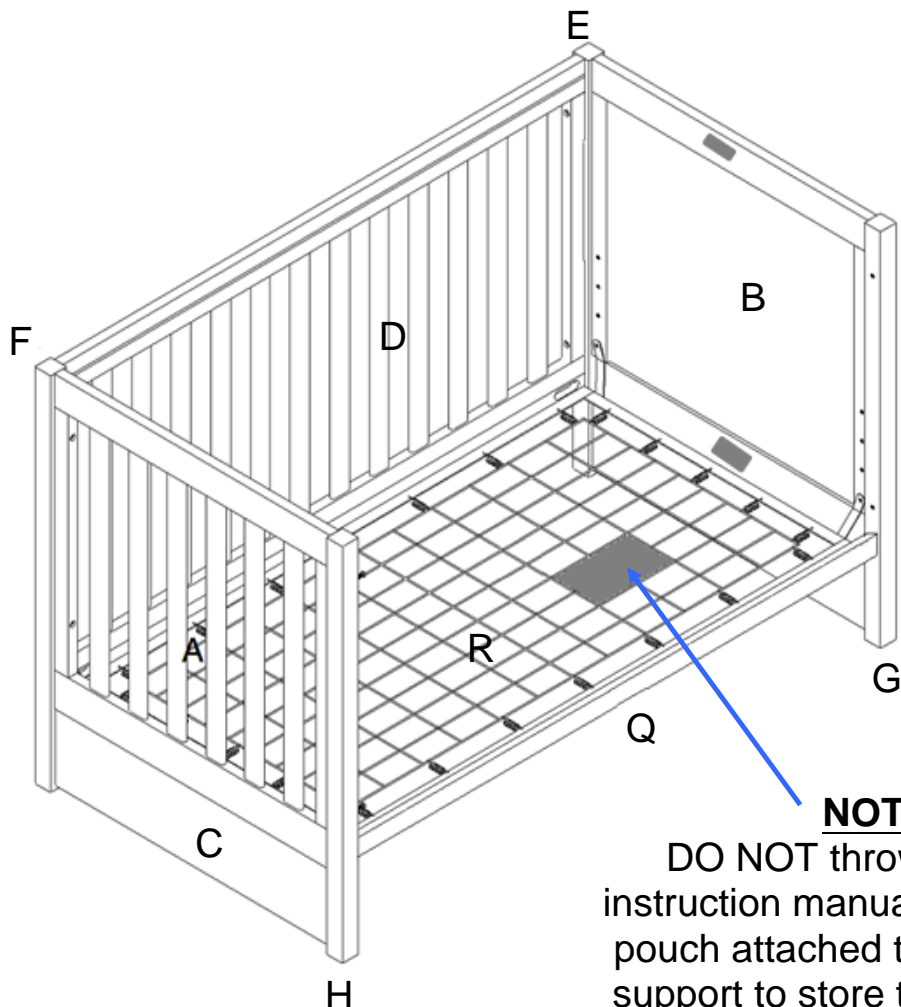
STEP 13

Attach the storage unit to left side panel (B) using bolts (1). Use Allen Key (5) to tighten all bolts (1).



STORAGE CRIB

DA1412 / DA1412W



NOTE:
DO NOT throw away this instruction manual. Use the crib pouch attached to the mattress support to store this manual for future use.



WARNINGS:

- * **CAUTION-** ANY MATTRESS USED IN THIS CRIB MUST BE AT LEAST 27-1/4 INCHES BY 51-5/8 INCHES (69CM BY 131CM) WITH A THICKNESS NOT EXCEEDING 6 INCHES (15CM).
- * The day bed is not intended for children under 15 months of age or over 50 lbs (22.7 kgs).

DAY BED ASSEMBLY INSTRUCTION: STARTING FROM STORAGE CRIB

STEP 1: Unscrew bolts (1) from step 13 to remove storage with Allen Key (5).

STEP 2: Unscrew bolts (1) underneath the crib bottom rail (Q) from step 1 with Allen Key (5).

STEP 3: Detach front panel (D) by unscrewing bolts (1) from left/right back post (G & H) with Allen Key (5).

STEP 4: If mattress support (R) is not in the lowest position, unscrew mattress support bolts (4) from left/right panels (A & B) and move to the lowest position.

STEP 5: Ensure all bolts are tightly secured.

STORAGE CRIB DA1412 / DA1412W

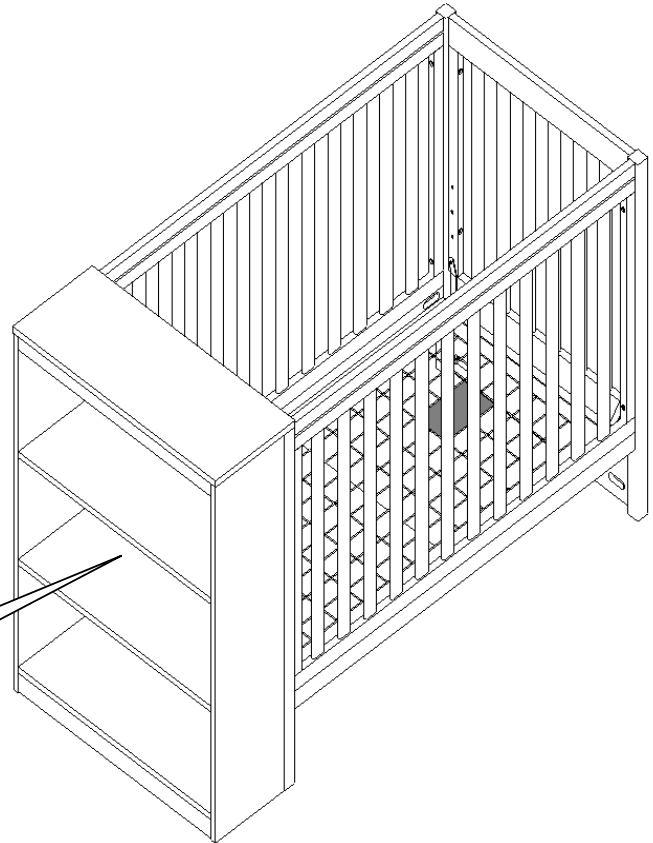


CAUTION: This unit is intended for use only with the products and/or maximum weights indicated. Use with other products and/or products heavier than the maximum weights indicated may result in instability or cause possible injury.

ANY MATTRESS USED IN THIS CRIB MUST BE AT LEAST 27-1/4 INCHES BY 51-5/8 INCHES (69CM BY 131CM) WITH A THICKNESS NOT EXCEEDING 6 INCHES (15CM).

Stop using crib when child begins to climb out or reaches the height of 35 inches (89 cm).

The TODDLER BED or DAY BED is not intended for children under 15 months of age or over 50 pounds (22.7 kgs).



MAXIMUM WEIGHT
FOR ALL SHELVES -
10 LBS

That's it ! You've finished assembling your storage crib!

DO NOT RETURN PRODUCT TO THE STORE.
If a part is missing or damaged, contact our customer service department. We will replace the part **FREE** of charge.



Tel #: 1-800-295-1980
E-Mail: das@dorel.com
Fax #: 514-353-7819

Customer Service

PLEASE DO NOT RETURN THIS PRODUCT TO THE STORE

PLEASE CONTACT CUSTOMER SERVICE REPRESENTATIVES AT THE FOLLOWING NUMBERS SHOULD THERE BE ANY MISSING OR DEFECTIVE PART(S).

| | |
|--|---|
| Customer Service Phone Number 1-800-295-1980 | Email: das@dorel.com |
| Customer Service Fax Number 514-353-7819 | |

Request Date:

Name:

Shipping Address:

Street & Number:

City & State:

Zip Code:

Day Time Phone Number:

(including area code)

Date & Place of Purchase:

Part(s) description and quantity: (Please be sure to list model number or SKN number)

Customer Service Representative Mailing Address:

Customer Service Department No. 413, 12345 Albert-Hudon Boulevard, Suite 100, Montreal, QC, Canada, H1G 3L1