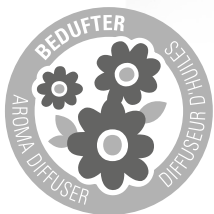


Anton

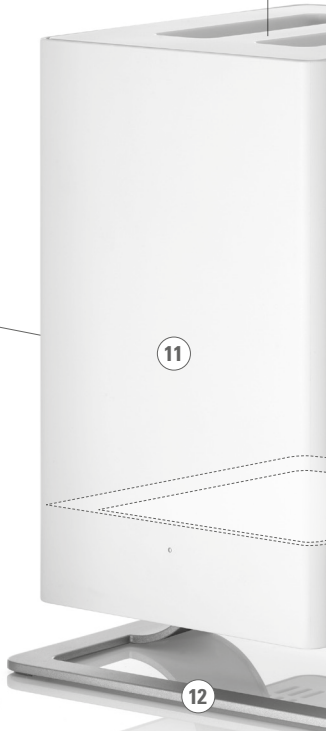
Operating instructions
Mode d'emploi
Manual de instrucciones

READ AND SAVE THESE INSTRUCTIONS
LISEZ ET CONSERVEZ CES INSTRUCTIONS
LEA Y GUARDE ESTAS INSTRUCCIONES

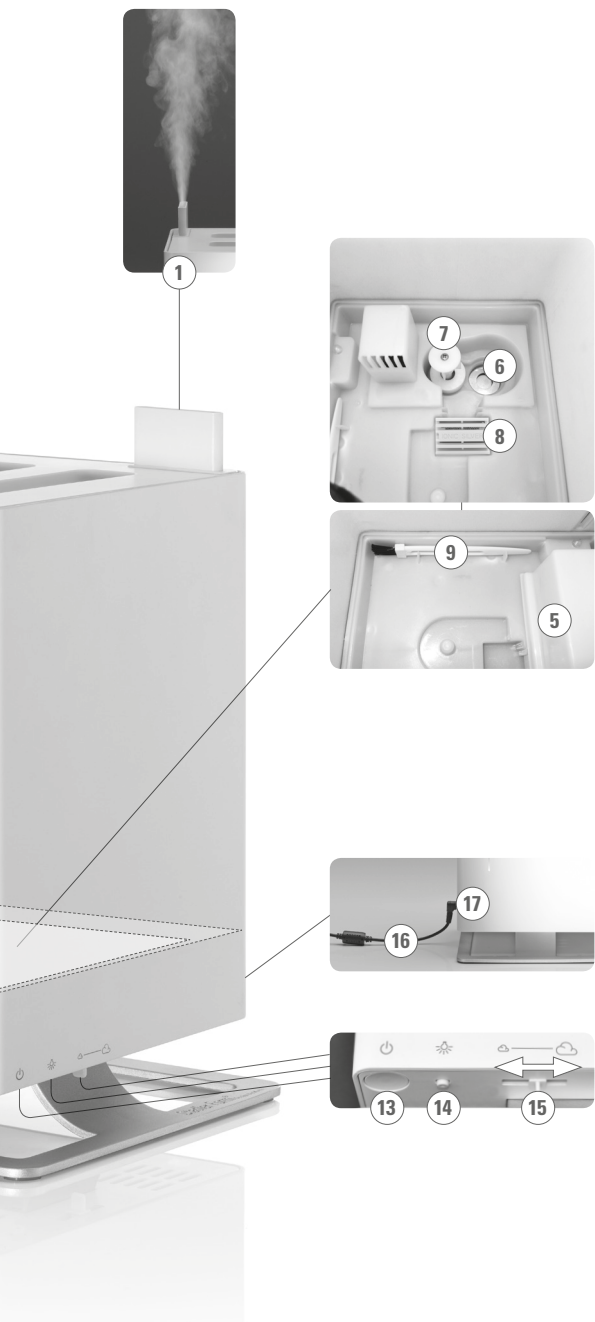


Stadler Form®

Anton



1 AÑO DE GARANTÍA • 1 YEAR WARRANTY

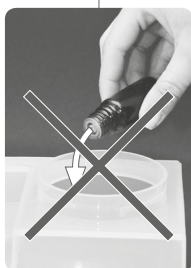


Download instruction manual:
www.stadlerformusa.com/manuals

For questions go to: www.stadlerform.com/faq



Duftstoffe/Fragrance/Parfums/Fragranze
Perfumar/Reukstoffen/Duftstoffer/Tuoksut
Parfyme/Parfym



Congratulations! You have just purchased the exceptional humidifier and aroma diffuser ANTON. It will give you great pleasure and improve the indoor air for you.

As with all domestic electrical appliances, particular care is needed with this model also, in order to avoid injury, fire damage or damage to the appliance. Please study these operating instructions carefully before using the appliance for the first time and follow the safety advice on the appliance itself.

Description of the appliance

The appliance consists of the following main components:

1. Mist outlet
2. Water tank (0.8 gallon, 2.5 liter) with integrated carry-grip
3. Tank cover
4. Anticalc cartridge
5. Mist chamber
6. Ultrasonic membrane
7. Floating switch
8. Ionic Silver Cube™
9. Cleaning brush
10. Water level indicator
11. Housing
12. Foot
13. On / off switch
14. Night mode switch
15. Variable output controller (Output)
16. Power adapter
17. Power adapter connection

Important safety instructions - SAVE THESE INSTRUCTIONS

Please read through the operating instructions carefully before you use the appliance for the first time and keep them safely for later reference; if necessary pass them on to the next owner.

- Stadler Form refuses all liability for loss or damage which arises as a result of failure to follow these operating instructions.
- The appliance is only to be used in the home for the purposes described in these instructions. Unauthorised use and technical modifications to the appliance can lead to danger to life and health.
- This appliance can be used by children aged from 8 years and above and persons with reduced physical, sensory or mental capabilities or lack of experience and knowledge if they have been given supervision or instruction concerning use of the appliance in a safe way and understand the hazards involved. Children shall not play with the appliance. Cleaning and user maintenance shall not be made by children without supervision.
- Only connect the cable to alternating current. Observe the voltage information given on the appliance.
- Do not use damaged extension cords.
- Do not run the power cord over sharp edges and make sure that it does not get trapped.
- Do not pull the plug from the socket with wet hands or by holding on to the power cord.

- Do not use the appliance in immediate vicinity of a bath tub, a shower or a swimming pool (observe a minimum distance of 10ft / 3m). Place the appliance such that a person in the bath tub cannot touch the appliance.
- Do not place the appliance near a heat source. Do not subject the power cord to direct heat (such as a heated hotplate, open flames, hot iron sole plates or heaters for example). Protect power cords from oil.
- See to it that the appliance is properly positioned to ensure a high stability during its operation and make sure that no one can trip over the power cord.
- The appliance is not splash-proof.
- For indoor use only.
- Do not store the appliance outdoors.
- Store the appliance in a dry place inaccessible to children (pack the appliance).
- If the power cord is damaged, it must be replaced by the manufacturer or a repair shop authorized by the manufacturer or by similarly qualified persons in order to avoid a hazard.

Before setup: Anticalc cartridge and water hardness

The anticalc cartridge reduces the limescale in the water and the undesirable emission of limescale particles into the surroundings. Effective for one to three months, depending on water hardness (see table).

Important: Soak the anticalc cartridge in a water bath for 24 hours before the first use (not in the water tank!). The resin has to absorb water to reach high performance.

The period of time that the cartridge is effective for depends on the hardness of the water. This can be tested using the testing strips provided (strips are stuck to the reverse side of these instructions for use).

1. Dip the testing strips into the water for a second
2. After around one minute, the results can be seen on the testing strips. Some of the green boxes change colour into pink. The water hardness is shown by how many boxes turn pink. Example: If three boxes are pink, then the water hardness is $> 14^{\circ}\text{dH}$.

Number of pink boxes	Water hardness	Degree of hardness ($^{\circ}\text{dH}$)	Cartridge will last for:		
			Days	around	gallon
0/1	Soft	4°dH	140	around	115
2	Moderately hard	7°dH	70	around	60
3	Hard	14°dH	50	around	40
4	Very hard	21°dH	25	around	20

With a water hardness above 21°dH , we can no longer recommend the use of an ultrasonic air humidifier. We recommend that you use an evaporative humidifier to increase humidity in your house (e.g. Oskar humidifier made by Stadler Form).

The unit only works properly with untreated water. Do not use where there are water softeners and water ionisers in operation. However, Anton may

be operated from a drinking water filter system (e.g. Brita). Should you be unsure about the quality or composition of the water in your area, contact the caretaker or the provider of drinking water.

Tip

The efficiency of the cartridge can be inspected with a simple test. Hold a small mirror in the mist for a few seconds. If there are then white deposits (calcium carbonate) on the mirror, then the cartridge needs changing.

Setting up / operation

1. Put Anton in the desired location on a flat surface. Connect the power adapter (16) to the unit and plug the adapter into a suitable plug socket.
2. Now fill up the water tank (2) up to the maximum mark with water. Then place the tank in the unit. Important: Please do not move Anton when it is filled with water. The water could splash out of the interior tank and into the electronics.
3. Next, turn on Anton by pressing the on / off button (13). Afterwards, the white light on the front of the unit will turn on, as will the lighting on the water level indicator (10).
4. By turning the variable output controller (15), you can adjust the humidifier output as you wish.
5. If you are bothered by the brightness of the small lights (i.e. in the bedroom), you can reduce the brightness by pushing the night mode button (14). You can choose between three different modes:
 - Normal mode (default mode)
 - Dimmed mode (push once)
 - Lights-out mode (push twice)
 - By pushing the dimmer button once more, you can go back into normal mode.
6. You can also use Anton to fragrance the room. We ask that you be sparing when dealing with fragrances as too much can lead to malfunctions and damage to the unit. To use fragrances, remove the water tank (2) from the unit and trickle the fragrance directly into the water (see page 4). Add a maximum of 1–2 drops of fragrance per full tank of water. Install the water tank back into the unit.

Tip: Would you like to change the fragrance? Remove the water tank from the unit, pour the remaining water out and clean the humidifier (see «Cleaning»). Now Anton is ready to dissipate a different fragrance of your choice around the room.
7. When the water level indicator light changes from white to red, then the water must be refilled. Remove the water tank (2) and fill it up with tap water. As soon as you put the tank back in Anton, it continues normal operation.
8. Would you like to refill the water during operation? You can simply remove the water tank and fill it up. The unit will operate for around a further 5 to 12 minutes with the water that remains in the system. Put the water tank back into the unit within this time period and Anton can continue operation without stopping at all.

Note: Should you see droplets (or other signs of dampness) on or around the unit, this is condensed water from the humidifier. This means that the

air can no longer absorb the moisture from the humidifier. Please turn the output down so that droplets are no longer visible.

Cleaning

Before each piece of maintenance and after every use, turn off the unit and remove the plug from the plug socket. Before you clean Anton, the power adapter (16) must be separated from the power adapter connection (17).

Attention: Never submerge the unit in water (danger of short circuiting).

- To clean the outside, wipe with a damp cloth and then dry well.
- To clean the inside, remove the water tank (2), the mist outlet (1), the mist chamber (5) and the ionic silver cube (8). Then you can clean the ultrasonic membrane with a normal household decalcifier. It is important during this that the level of water inside the unit does not go higher than 0.4 inch / 10 mm. Should the level of water accidentally exceed 0.4 inch / 10 mm, contact Stadler Form or a specialist technician immediately. Should not all residues be able to be removed, then you can clean the ultrasonic membrane with the help of the cleaning brush (front or reverse side). Please do not scrape the membrane with a hard object. With persistent calcification, we recommend that you decalcify the unit several times in a row. After decalcifying, rinse the lower part and then dry thoroughly.
- To clean the water tank, rinse it out with warm water. Should calcification be visible, you can also decalcify the water tank. Afterwards, rinse out the water tank and then dry.

Replacement of the anticalc cartridge

- Please find the recommended replacement intervals in the table (see «Before setup»).
- **Tip:** The efficiency of the cartridge can be inspected with a simple test. Hold a small mirror in the mist for a few seconds. If there are then white deposits (calcium carbonate) on the mirror, then the cartridge needs changing.
- The anticalc cartridge is located on the inner side of the tank cap. First screw the tank cap off the water tank and then screw the cartridge from the tank cap. Dispose of the cartridge in the domestic waste. Soak the anticalc cartridge in a water bath for 24 hours before the first use (not in the water tank!). The resin has to absorb water to reach high performance.
- Keep the tank cap when replacing the cartridge!

Ionic Silver Cube™

The ionic silver cube (8) prevents the growth of germs and bacteria in the humidifier due to the continuous release of silver ions. The use of an ionic silver cube leads to a hygienic room climate. The lifetime of the ionic silver cube is around one year. We therefore recommend that you replace the ionic silver cube at the beginning of every humidifying season. The ionic silver cube starts working as soon as it comes into contact with water, and also works when the unit is switched off.

Repairs

- Repairs to electrical appliances must only be carried out by a qualified electrical technician. If improper repairs are carried out, the warranty lapses and all liability is refused.

- Never operate the appliance if the adaptor or plug is damaged, after it has malfunctioned, if it has been dropped or has been damaged in any other way (cracks/breaks in the casing).
- Do not push any object into the appliance.
- If the appliance is beyond repair, make it unusable immediately by cutting through the cable and hand it in at the collection point provided for the purpose.

Disposal

- Do not push any object into the appliance.
- Do not dispose of electrical appliances in the domestic waste. Please use the communal collection points.
- If electrical appliances are disposed of thoughtlessly, exposure to the elements may cause hazardous substances to find their way into the ground-water and from there into the food chain, or to poison the flora and fauna for many years to come.

Specifications

Rated voltage	12V
Power output	12W
Dimensions	5.7'' W x 11.2'' H x 7.3'' D / 184 x 262 x 184 mm (width x height x depth)
Weight	4.0lbs / 1.9kg
Tank capacity	0.8gallon / 2.5Liter
Sound level	28.5 – 30 dB(A)
Complies with regulations	UL

All rights for any technical modifications are reserved

1 year Limited Warranty

A This 1 year limited warranty applies to repair or replacement of product found to be defective in material or workmanship. This warranty does not apply to damage resulting from commercial, abusive, unreasonable use or supplemental damage. Defects that are the result of normal wear and tear will not be considered manufacturing defects under this warranty.

SWIZZ STYLE IS NOT LIABLE FOR INCIDENTAL OR CONSEQUENTIAL DAMAGES OF ANY NATURE. ANY IMPLIED WARRANTY OF MERCHANTABILITY OR FITNESS FOR A PARTICULAR PURPOSE ON THIS PRODUCT IS LIMITED IN DURATION TO THE DURATION OF THIS WARRANTY. Some jurisdictions do not allow the exclusion or

limitation of incidental or consequential damages or limitations on how long an implied warranty lasts, so the above limitations or exclusions may not apply to you. This warranty gives you specific legal rights, and you also may have other rights which vary from jurisdiction to jurisdiction. This warranty applies only to the original purchaser of this product from the original date of purchase.

B At its option, Swizz Style will repair or replace this product if it is found to be defective in material or workmanship. Defective product should be returned to the place of purchase in accordance with store policy. Thereafter, while within the warranty period purchaser should contact Swizz Style at 1-877-663-7893 Monday – Friday 9am – 4pm EST for product return information.

C This warranty does not cover damage resulting from any unauthorized attempts to repair or from any use not in accordance with the instruction manual.

D If the product has replaceable filters, these are not covered under this warranty, except for material or workmanship defects.

E The following must accompany all products returned for service: 1) Proof of purchase 2) Brief description of the problem 3) Full contact information (including return shipping address) 4) Check or money order for \$10 (\$15 if in Canada) for return handling, packaging and shipping charges. All funds are in US dollars.

F Swizz Style is not responsible for items lost, stolen or damaged during return shipping

