



*Rush Creek*TM
·CREATIONS·

Octagon Poker Table



Please keep this instruction manual for future reference

If you have any problems with your new product, please visit our website www.rushcreekcreations.com for the fastest expedited service possible for your replacement part ordering needs. Please have a copy of your receipt of purchase. For any technical support or warranty issues, please contact Rush Creek Creations at 1-844-627-4480 or email us at productsupport@rushcreekcreations.com

Log Furniture Facts

As with all rustic and log furniture, some cracking (or checking) may develop during the log drying process. Cracking occurs mainly on the your furniture. Some cracking is to be expected and it is a natural characteristic of all log furniture.

Cracking usually occurs from the center of the log, cracking outward in one direction as the wood releases moisture. The degree of cracking will vary from log to log. Some cracks will be wider than others, depending upon the diameter of the log. Typically, logs that are larger in diameter will have larger cracks. This natural process adds to the unique rustic appeal of your log furniture.

All Rush Creek Creations products include a 90-day warranty on all parts. Cracking or checking is not considered a defect and is not subject to the warranty.

If you have any questions or concerns about cracking (or checking) on your Rush Creek Creations log furniture, please contact us at 1-844-627-4480 or (414) 332-0500. Or, email us at productsupport@rushcreekcreations.com.



90-Day Rush Creek Creations Product Warranty

All Rush Creek Creations products have a 90-day from date of purchase warranty. This warrants the retail purchaser for any Rush Creek Creations product purchased to be free from any defect in materials and construction for 90 days from the date of purchase.

Manufacturer Defects:

Defective parts will be replaced at no cost to you. Please send an e-mail to productsupport@rushcreekcreations.com including photos of the defective part(s) and we will send replacements. PLEASE NOTE: Cracks in logs are not defects. They may develop during the log drying process and do not affect the stability of the piece in any way, and add to the rustic appeal of your log furniture.

If your product needs service, please be advised that Rush Creek Creations reserves the right to decline service when the product is found to be excessively worn, altered in any way, or when damage is caused by acts other than defective workmanship or materials. This warranty is void if the product has been subject to abuse. For service under this warranty, please contact Rush Creek Creations. Please provide your receipt as proof of purchase.

A PURCHASE RECEIPT (or other proof of purchase date) will be required before any warranty service is initiated. All requests for warranty service can be submitted by email, in writing or by contacting our Customer Service Department at: 1-844-627-4480 or email us at productsupport@rushcreekcreations.com.

IMPORTANT NOTICE! Please contact us before returning the product to the store.

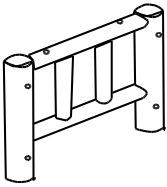
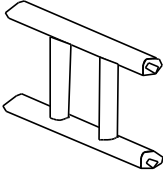
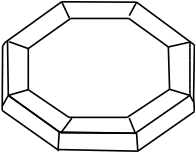
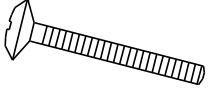


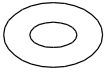

Care

Apply lemon oil with a soft cotton cloth. Do not use products with silicones. This may cause damage to the finish. Never let the wood get in contact with any type of paint remover.

Connections:

Changes in temperature and humidity will cause the wood to dry out possibly causing the bolts loosen. Check the bolts periodically to make sure they are still tight. DO NOT put your wood piece directly against hot radiators or sources of heat. Doing this may cause the wood to dry and crack.

Parts List

<p>1</p>  <p>Leg Panel (I) 2 PCS</p>	<p>2</p>  <p>Leg Panel (II) 2 PCS</p>	<p>3</p>  <p>Table Top 1 PC</p>	<p>4</p>  <p>Bolt 12 PCS</p>
<p>5</p>  <p>Leg Pad 4 PCS</p>	<p>6</p>  <p>1/4" Washer 12 PCS</p>	<p>7</p>  <p>5/6" Washer 12 PCS</p>	<p>8</p>  <p>Wood Cap 8 PCS</p>

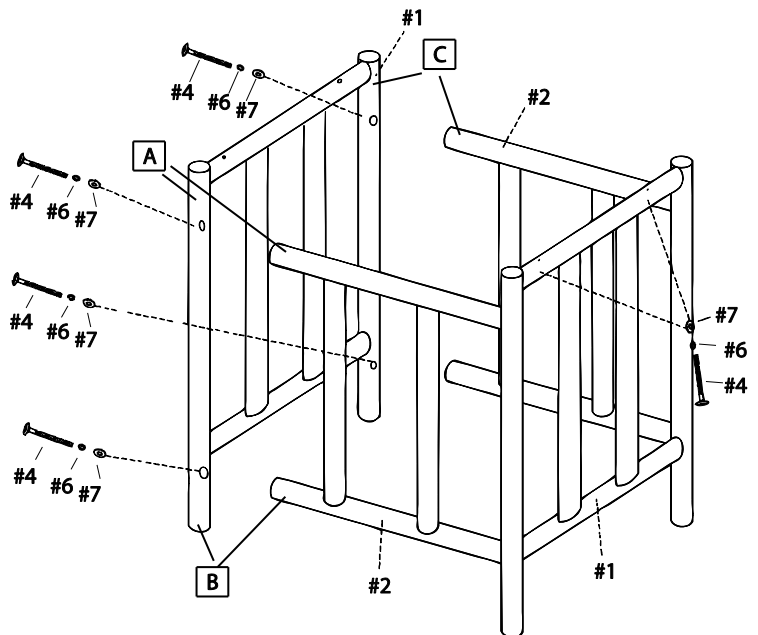
Assembly Tips

Attention: If you are using an electric screw driver in assembly, please set at low torque and do not over tighten the hardware. When assembling individual parts, loosely tighten screws until all screws are inserted, then tighten completely.

Assembly Instructions

Step 1:

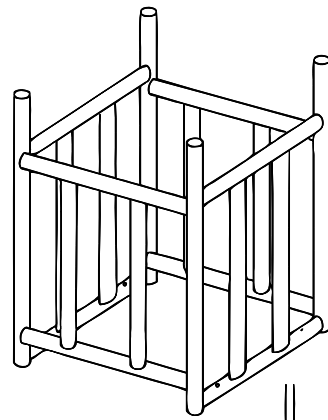
Lay leg panel I (#1) on the floor with the holes for the leg panel II (#2) facing up. **NOTE:** Leg panels are labeled A, B, C, D on each end. Please correspond with stickers. See diagram.



Step 2:

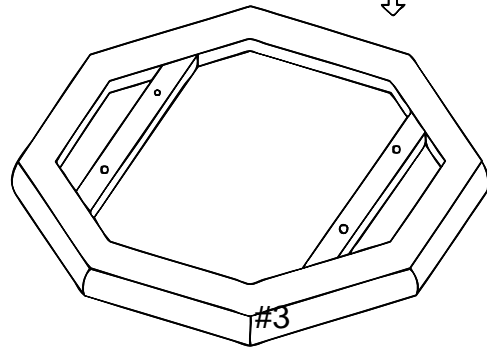
When all four panels are firmly fitted, attach pieces with bolts (#4), 1/4" washer (#6) and 5/16" washer (#7).

NOTE: Do not completely tighten leg panels until step 3 is completed.



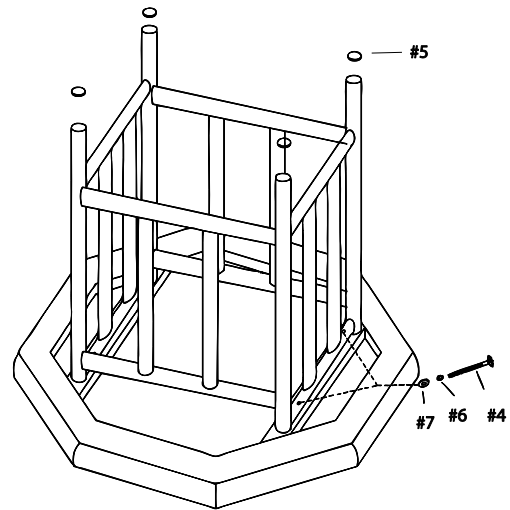
Step 3:

Lay table top (#3) on a smooth surface up side down, position assembled legs on top, tighten the piece with screws.



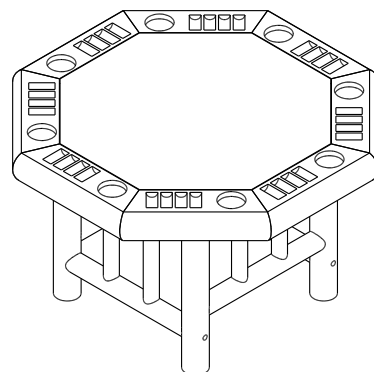
Step 4:

Attach the leg pads (#5) to the bottom of the legs.



Step 5:

With a friend's help, carefully turn the table over.



Be sure to check out all the exciting products
Rush Creek Creations has to offer. Visit our website at:
www.rushcreekcreations.com



Rush Creek Creations
11327 W Lincoln Ave.
West Allis, WI 53227
www.rushcreekcreations.com
©2016 Rush Creek Creations. All Rights Reserved.