



*Rush Creek*TM
CREATIONS

Portable 10-Gun Rack



Please keep this instruction manual for future reference

If you have any problems with your new product, please visit our website www.rushcreekcreations.com for the fastest expedited service possible for your replacement part ordering needs. Please have a copy of your receipt of purchase. For any technical support or warranty issues, please contact Rush Creek Creations at 1-844-627-4480 or email us at productsupport@rushcreekcreations.com

90-Day Rush Creek Creations Product Warranty

All Rush Creek Creations products have a 90-day from date of purchase warranty. This warrants the retail purchaser for any Rush Creek Creations product purchased to be free from any defect in materials and construction for 90 days from the date of purchase.

Manufacturer Defects:

Defective parts will be replaced at no cost to you. Please send an e-mail to productsupport@rushcreekcreations.com including photos of the defective part(s) and we will send replacements.

If your product needs service, please be advised that Rush Creek Creations reserves the right to decline service when the product is found to be excessively worn, altered in any way, or when damage is caused by acts other than defective workmanship or materials. This warranty is void if the product has been subject to abuse. For service under this warranty, please contact Rush Creek Creations. Please provide your receipt as proof of purchase.

A PURCHASE RECEIPT (or other proof of purchase date) will be required before any warranty service is initiated. All requests for warranty service can be submitted by email, in writing or by contacting our Customer Service Department at: 1-844-627-4480 or email us at productsupport@rushcreekcreations.com.

IMPORTANT NOTICE! Please contact us before returning the product to the store.

Care

For cleaning use any lument wood floor cleaner and apply with a clean soft cloth.

Warnings

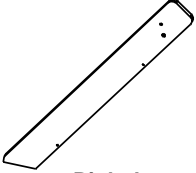
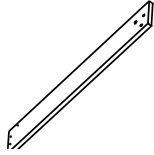
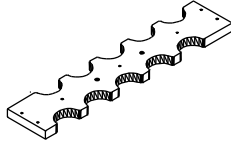
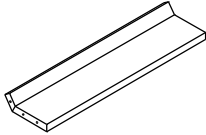
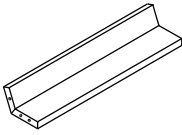
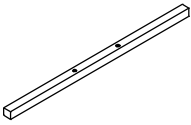
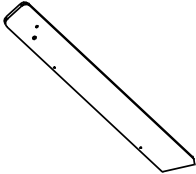
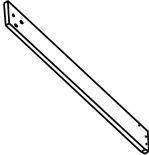








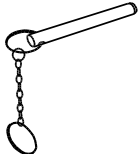
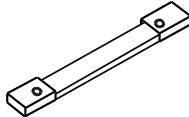
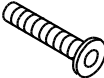

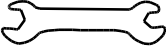



WARNING:

Lock Pins must be in place before storing guns.

We strongly recommend that all guns are unloaded and trigger locks applied before guns are stored on this gun rack.

Parts List

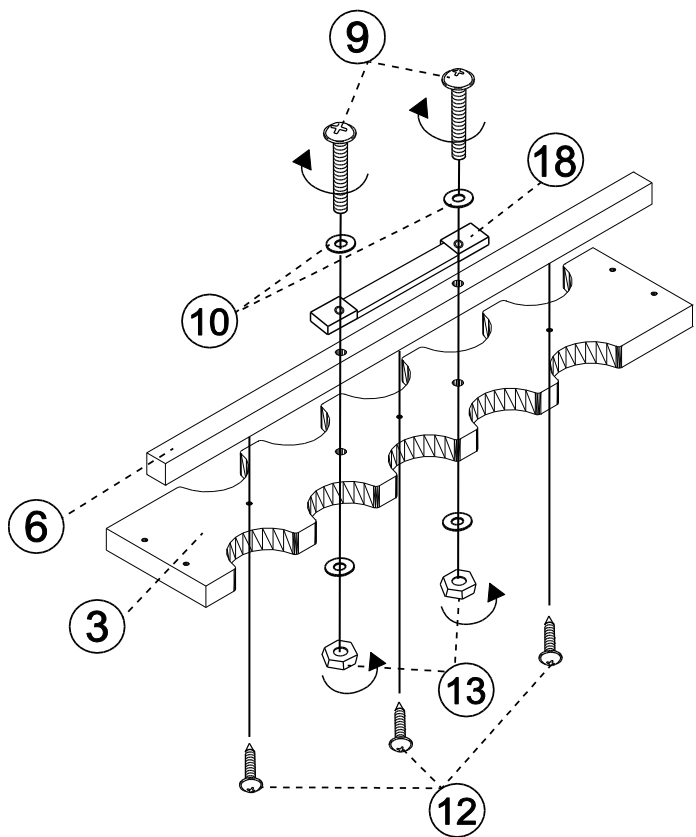
<p>1</p>  <p>Right Leg - B 1 PC</p>	<p>2</p>  <p>Left Leg - A 1 PC</p>	<p>3</p>  <p>Top Panel 1 PC</p>	<p>4</p>  <p>Bottom Leg Panel -B 1 PC</p>	<p>5</p>  <p>Bottom Leg Panel -A 1 PC</p>
<p>6</p>  <p>Top Handle Board 1 PC</p>	<p>7</p>  <p>Left Leg - B 1 PC</p>	<p>8</p>  <p>Right Leg - A 1 PC</p>	<p>9</p>  <p>4x50mm Bolt 2 PCS</p>	<p>10</p>  <p>6.5mm Washer 4 PCS</p>
<p>11</p>  <p>4x40mm Screw 16 PCS</p>	<p>12</p>  <p>3.5x33mm Screw 3 PCS</p>	<p>13</p>  <p>4mm Nut 2 PCS</p>	<p>14</p>  <p>6mm Nut 2 PCS</p>	<p>15</p>  <p>4.5mm Washer 4 PCS</p>
<p>16</p>  <p>Rod Washer 2 PCS</p>	<p>17</p>  <p>Lock Pin 2 PCS</p>	<p>18</p>  <p>Handle 1 PC</p>	<p>19</p>  <p>6x50mm Bolt 2 PCS</p>	<p>20</p>  <p>4x12mm Screw 2 PCS</p>
<p>21</p>  <p>Metal Wrench 1 PC</p>	<p>22</p>  <p>Wrench 1 PC</p>			

Assembly Instructions

Step 1:

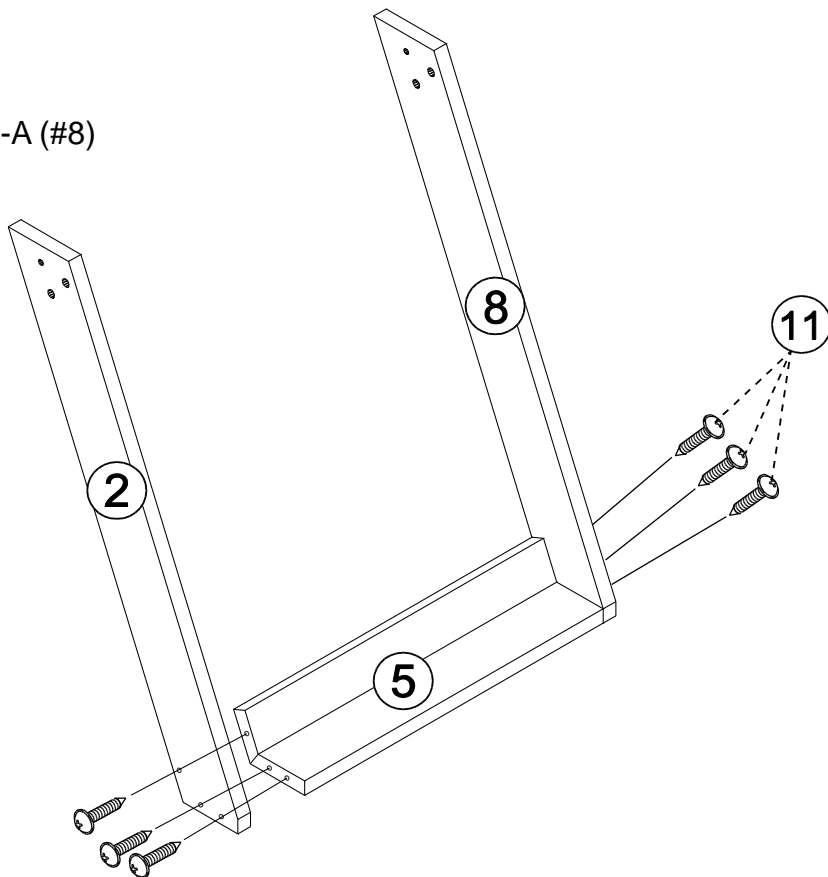
Place the Top Handle Board (#6) and the Handle (#18) on top of the Top Panel (#3) as shown in Step 1. Line up the holes in all three pieces and insert the Bolts (#9) through two Washers (#10), the Handle, Top Handle Board and Top Panel. To secure, attach two Washers (#10) and two Nuts (#13) to Bolts (#9).

Insert three Screws (#12) into the pre-drilled holes from the bottom of Top Panel (#3) and into Top Handle (#6).



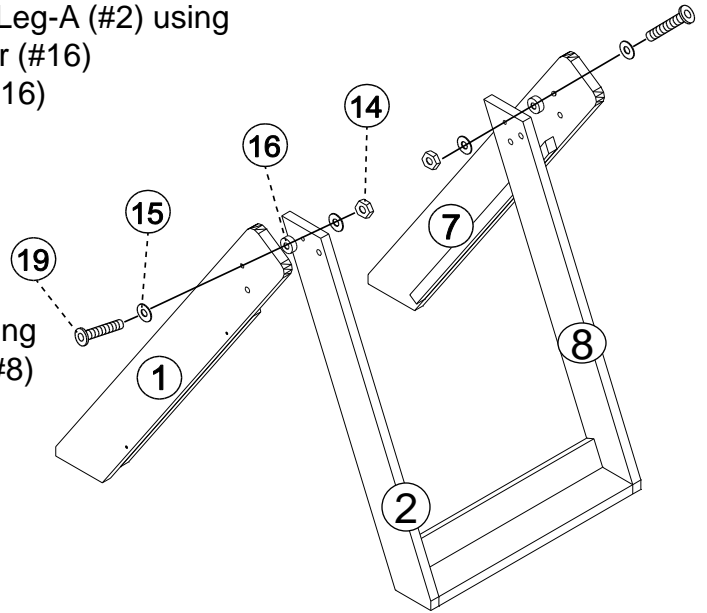
Step 2:

Attach the Bottom Leg Panel-A (#5) to the Left Leg-A (#2) and Right Leg-A (#8) Using three Screws (#11) per leg.



Step 3:

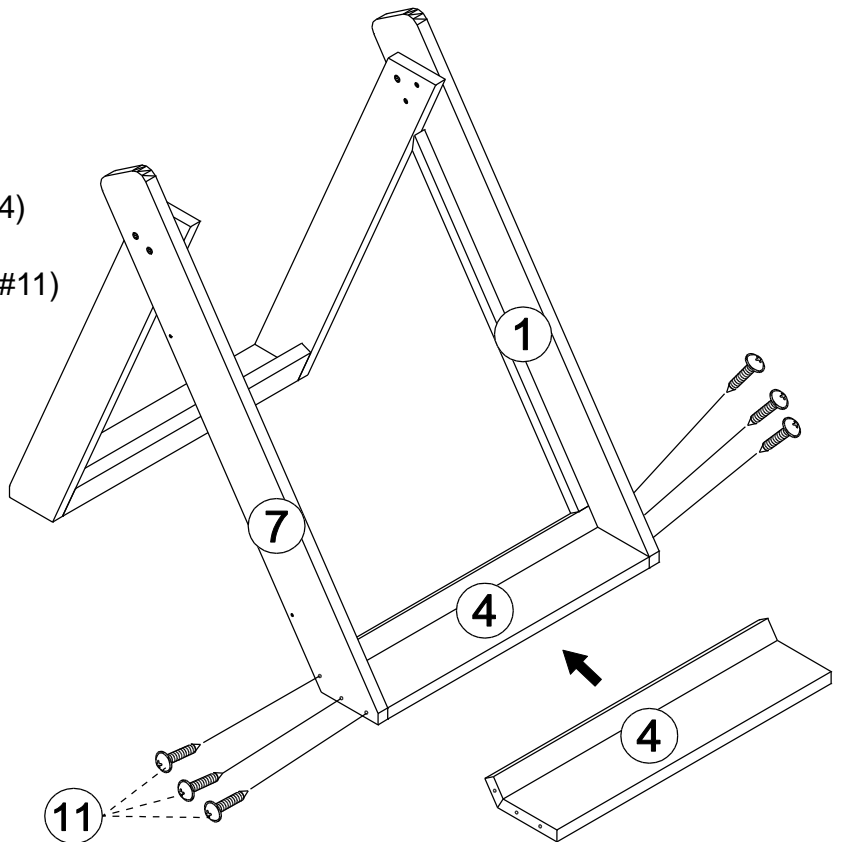
Attach Right Leg-B (#1) to assembled Left Leg-A (#2) using Bolt (#19), two Washers (#15), Rod Washer (#16) and Nut (#14), making sure Rod Washer (#16) is placed between the two boards.



Repeat the steps for the other leg by attaching Left Leg-B (#7) to assembled Right Leg-A (#8) Using Bolt (#19), two Washers (#15), Rod Washer (#16) and Nut (#14), making sure Rod Washer (#16) is placed between the two boards.

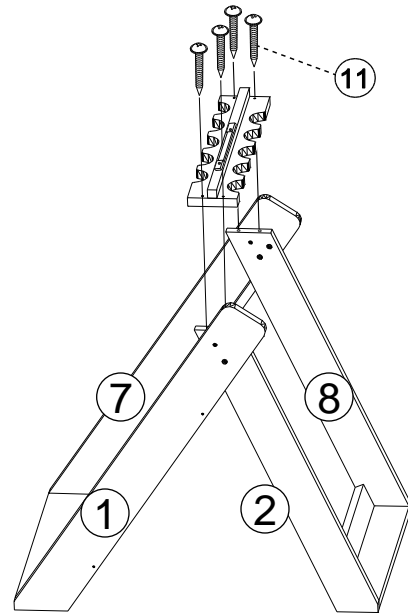
Step 4:

Attach the Bottom Leg Panel-B (#4) between Left Leg-B (#7) and Right Leg B (#1) using 3 Screws (#11) per leg.



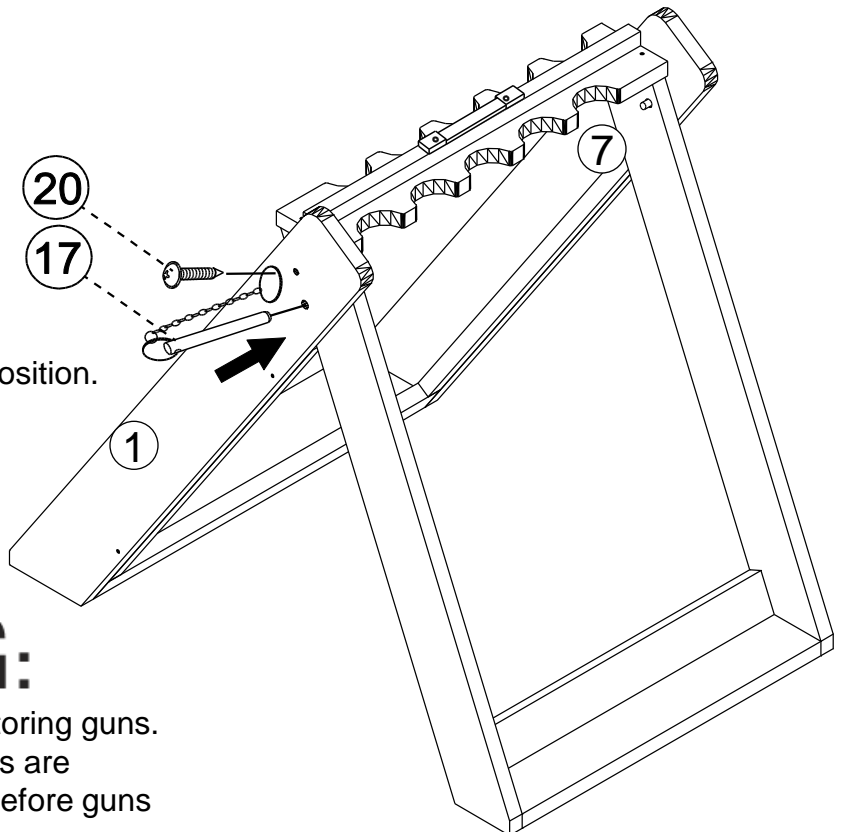
Step 5:

Attach the pre-assembled Top Panel (#3) to the Legs (#2 & #8) by placing it on the legs and inserting four screws (#11) into the pre-drilled holes as shown in step 5.



Step 6:

Attach the Lock Pins (#17) to the Legs (#1 & 7) with one Screw (#20). Insert the Lock Pins into the pre-drilled hole in the leg to lock the rack into position.

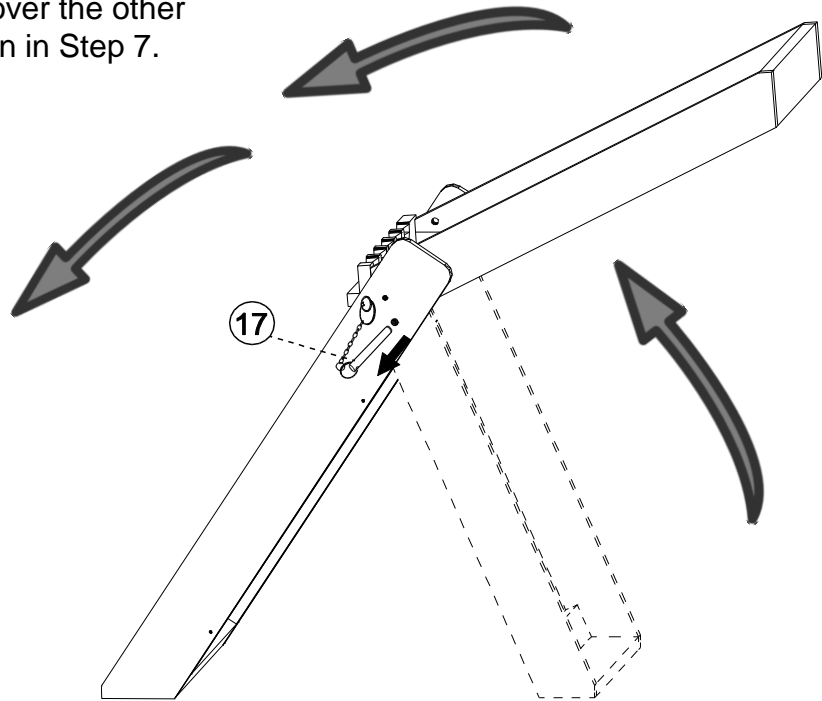


WARNING:

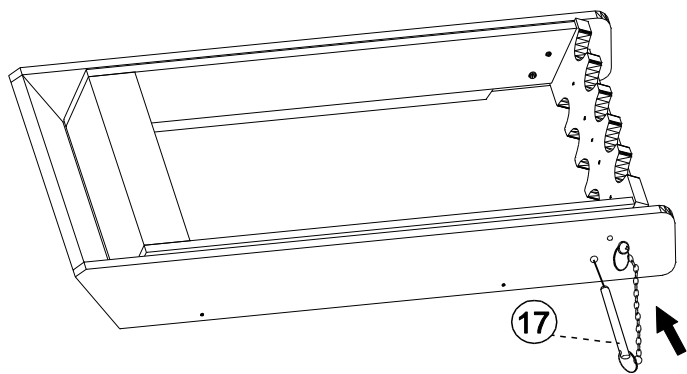
Lock Pins must be in place before storing guns. We strongly recommend that all guns are unloaded and trigger locks applied before guns are stored on this gun rack.

Step 7: STORING THE RACK

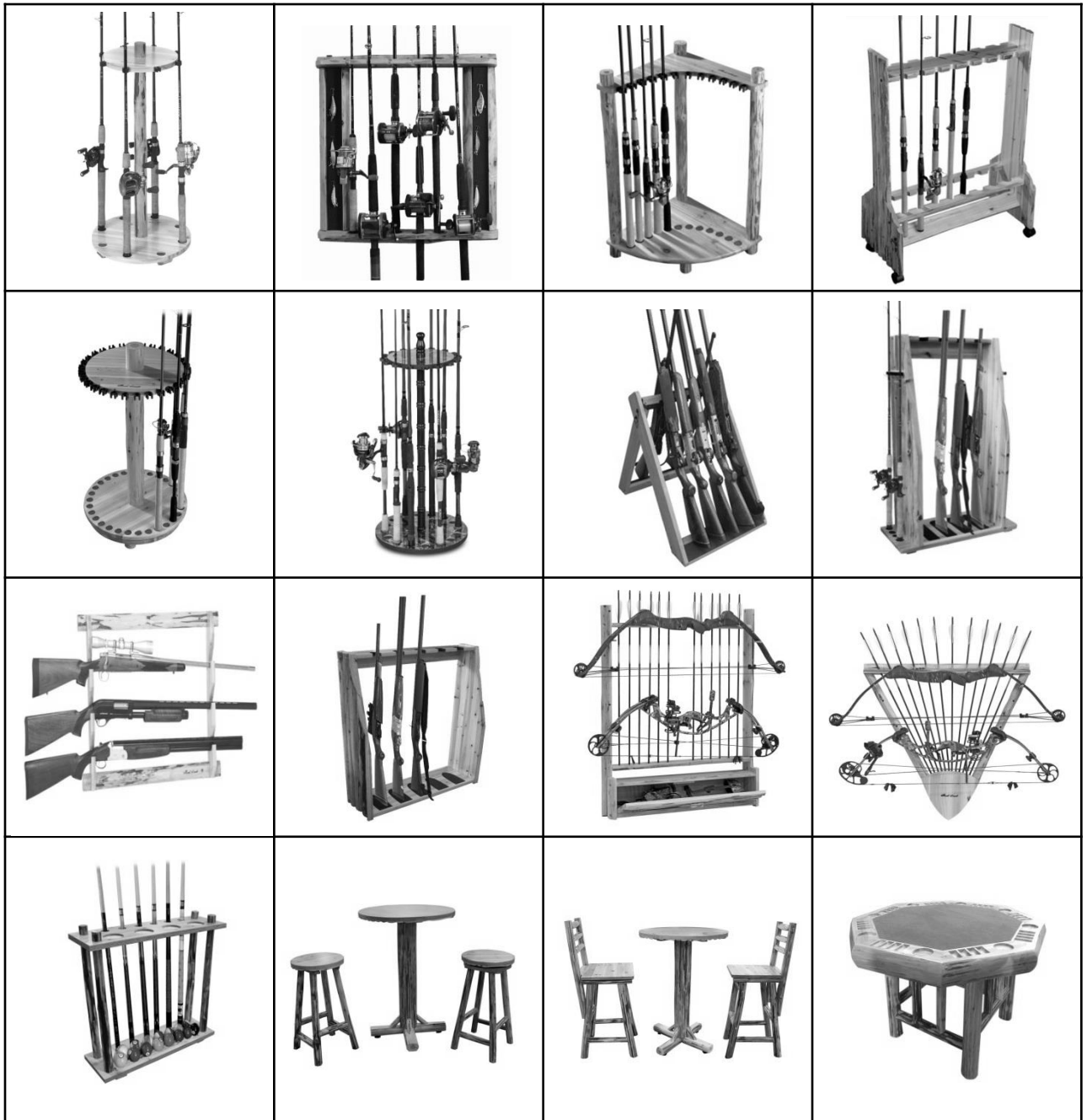
Pull the Lock Pins (#17) and swing one side of the rack up and over the other side of the rack as shown in Step 7.



Insert the Lock Pins (#17) into the pre-drilled holes to lock the rack in the folded storage position.



Be sure to check out all the exciting products
Rush Creek Creations has to offer. Visit our website at:
www.rushcreekcreations.com



Rush Creek Creations
11327 W Lincoln Ave.
West Allis, WI 53227
www.rushcreekcreations.com
©2016 Rush Creek Creations. All Rights Reserved.