



ENIGMA

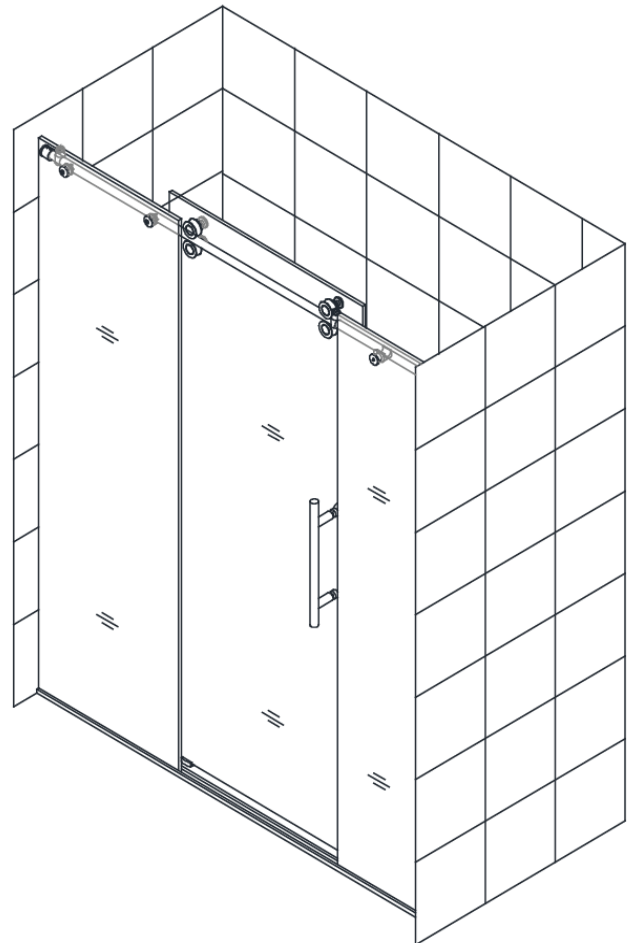
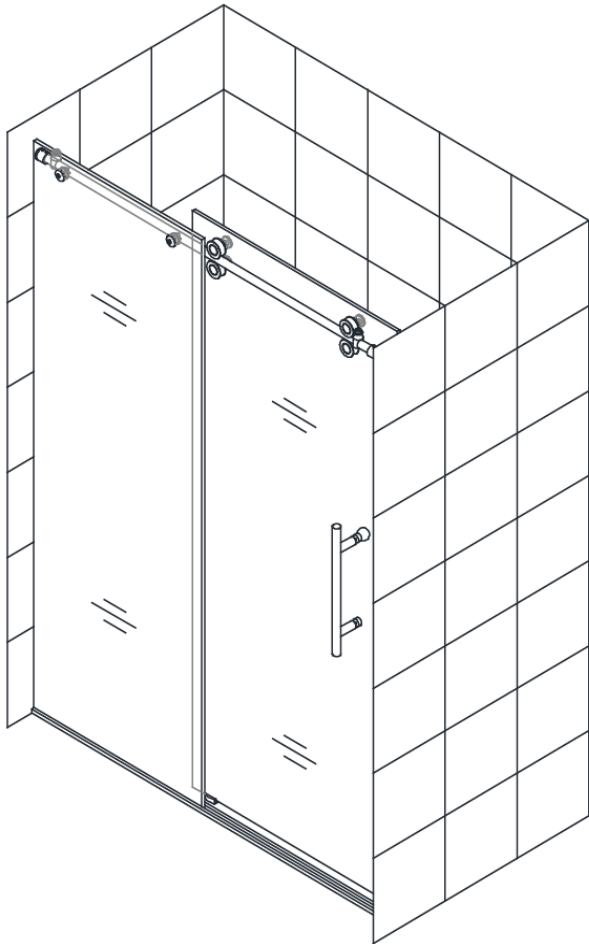
SHOWER DOOR INSTALLATION INSTRUCTIONS

IMPORTANT

DreamLine® reserves the right to alter, modify or redesign products at any time without prior notice. For the latest up-to-date technical drawings, manuals, warranty information or additional details please refer to your model's web page on DreamLine.com

60" model#: [SHDR-60607912](#)

72" model#: [SHDR-60727912](#)



Right hand door installation shown

Please read these instructions carefully before installing. If you have any questions regarding installation, please contact our technical support specialists Monday through Friday 8:00 AM – 7:00 PM EST at Phone: [1-866-731-2244](tel:1-866-731-2244), Fax: [1-866-857-3638](tel:1-866-857-3638) or e-mail our technical support group at Support@DreamLine.com

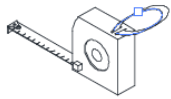
For more information about DreamLine® products please visit DreamLine.com

Preparation

1. Prior to installation, examine all boxes and packages for shipping damage and compare the piece count with your packing slip. After opening all boxes and packages read this introduction carefully. Check that all of the needed parts are included in the package by checking off the components on the "Detailed Diagram of Shower Door Components". If the unit has been damaged, has a finishing defect, or has missing parts, please contact our customer support department within **3 business days** of the delivery date. Please note that **DreamLine® will not replace any damaged products or missing parts free of charge after 3 business days or if the product has been installed.** Feel free to contact DreamLine® if you have any questions and please provide an order number, job name or other proof of purchase to help us identify your original order.
2. **Please note that you should consult your local building codes with questions about installation compliance standards. Building and plumbing codes may vary by location, and DreamLine® is not responsible for code compliance standards for your project and will not accept any returns.**
3. If this unit is going to be installed in a new construction, please, install all of the required plumbing and drainage before installing the shower. **Use a competent and licensed (if required by local code) plumber for all plumbing installation.**
4. Please make sure that prior to beginning the installation, the surfaces are leveled and solid and will be able to support the total weight of the unit. Also make sure the walls are at right angles. Irregular installation surface level, radius corners or improper angle of side walls will result in serious problems for your installation. Please, note that some adjustments and drilling might be necessary during the installation process.
5. Please protect all primary surfaces of the product during installation. Never set your glass down directly onto a tile floor. Leave corner protectors in place until necessary to remove them. Always use a piece of wood or cardboard to protect the bottom edge and corners of the glass prior to and during installation.
6. This unit must be installed upon a solid threshold and against finished walls.
7. **Please, NOTE! This door does not have out-of-plumb adjustment. Make sure your walls are at right angles.**
8. **This door requires a 3-1/2" wide threshold or installation space.**
9. **Please note that Step #9 calls for installation of the door to the wall using anchors. However, the manufacturer strongly recommends installing these heavy doors to the studs or to preinstalled 2x6 wood reinforcements behind the wall and attaching the Wall brackets to it.**
10. a) If the model width of your door is **60"**, you only need to refer to **(Diagram A)** with **(Packing List A)**.
b) If the model width of your door is **72"**, and you are installing the door with the additional small stationary glass, you need to use **(Diagram A and B)** with **(Packing List A and B)** to complete the installation.
11. **Note: The installation of this unit requires that you drill down into the threshold.**
12. **Attention: This door is extremely heavy and requires professional installation with 2 installers.**

NOTE: DO NOT install the handle on the glass until instructed to do so. **DO NOT** attempt to lift the glass using the handle. This could result in damage to the glass and /or serious personal injury. Always use an assistant or a professional grade glass suction cup when handling heavy glass.

Tools Required



Tape Measure



Pencil



Phillips Screwdriver



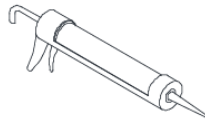
Drill bit (Ø=5/16")



Drill bit (Ø=3/8")



Level



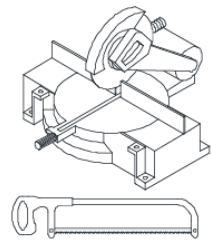
Caulk



Power Drill



Hammer



Miter saw or Hacksaw

NOTE: This model is reversible for left or right hand installation. This manual will show the right hand door installation. For a left hand installation, simply begin on the opposite wall and reverse the orientation of the parts as necessary.

Detailed Diagram of the Shower Door Components

Diagram A

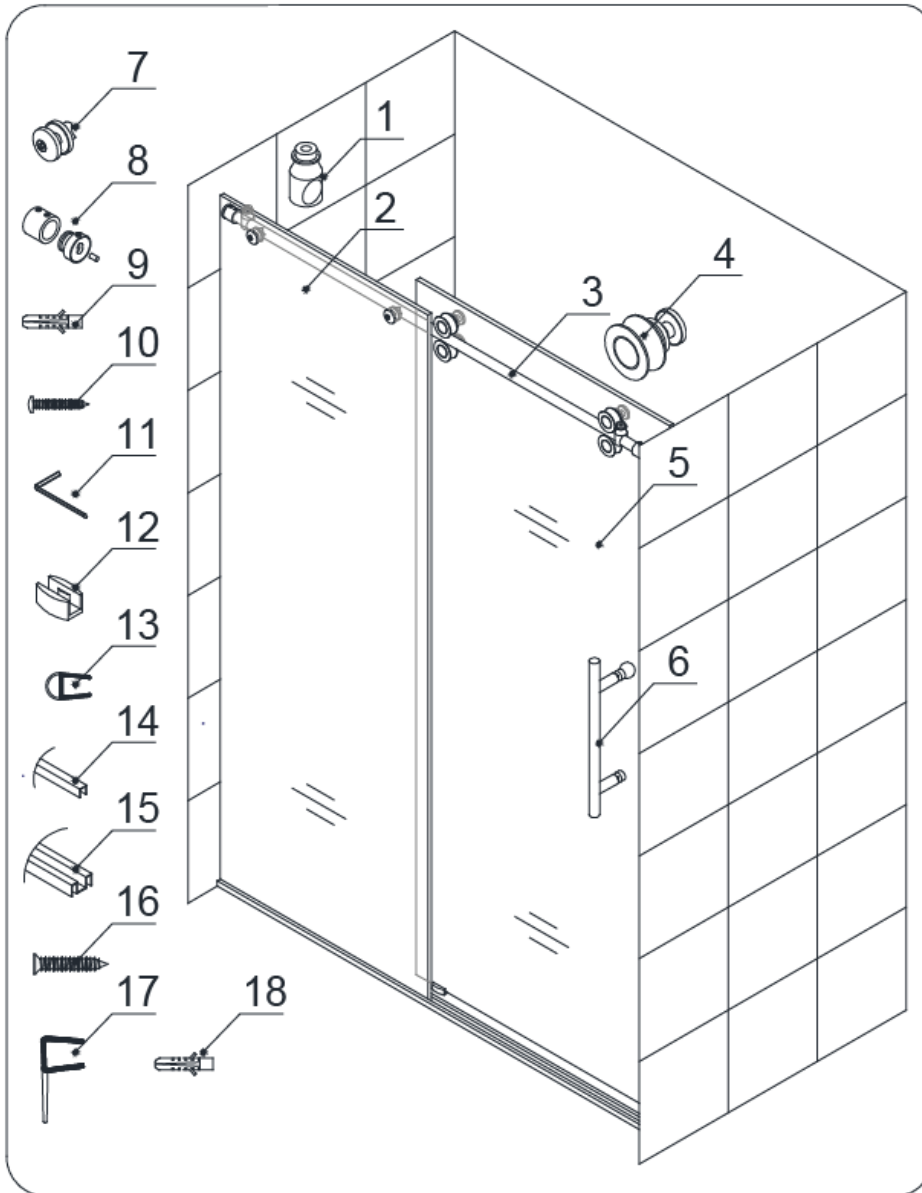
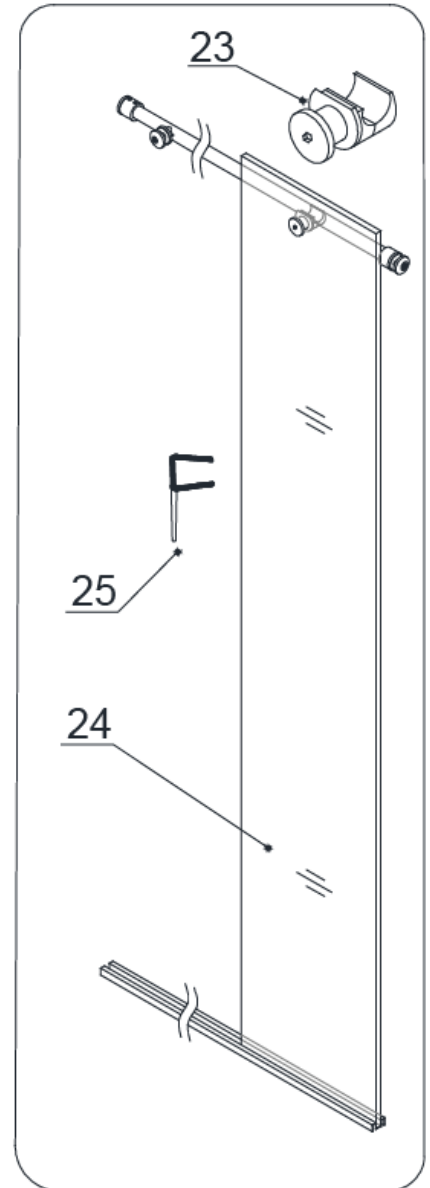


Diagram B



Packing List A

Part#	Description	Qty	Part#	Description	Qty
01	Door Stopper	2pcs	10	Large Truss head screw ST6×55	2pcs
02	Stationary glass	1pc	11	Hex wrenches: 3mm, 4mm, 5mm	1set
03	Upper guide rail	1pc	12	Guide block	1pc
04	Roller	4pcs	13	Bumper strip	1pc
05	Glass door	1pc	14	Threshold cover	1pc
06	Handle	1pc	15	Threshold	1pc
07	Glass bracket	2pcs	16	Countersunk screw ST4.2×30	4pcs
08	Guide rail bracket	2pcs	17	Anti-water strip	2pcs
09	Wall anchor Ø 3/8"	2pcs	18	Small anchor Ø 5/16"	4pcs

Packing List B

23	Small stationary glass bracket	1pc	24	Small stationary glass	1pc
25	Anti-water strip	1pc			

NOTE: Retain these installation instructions for future reference.

NOTE: Unpack your unit carefully and inspect it. Lay it out and identify all parts using the detailed diagram in this manual as a reference. Before discarding the carton, check for small hardware bags that may have fallen to the bottom of the box. If any parts are damaged or missing, please contact DreamLine® for replacement.

Shower Door Installation

1. Measure the distance between the two finished walls at the top, middle and bottom. This distance is marked as "**W**".
Also, check the walls for plumb and the threshold for level.

See Fig. 1 for details.

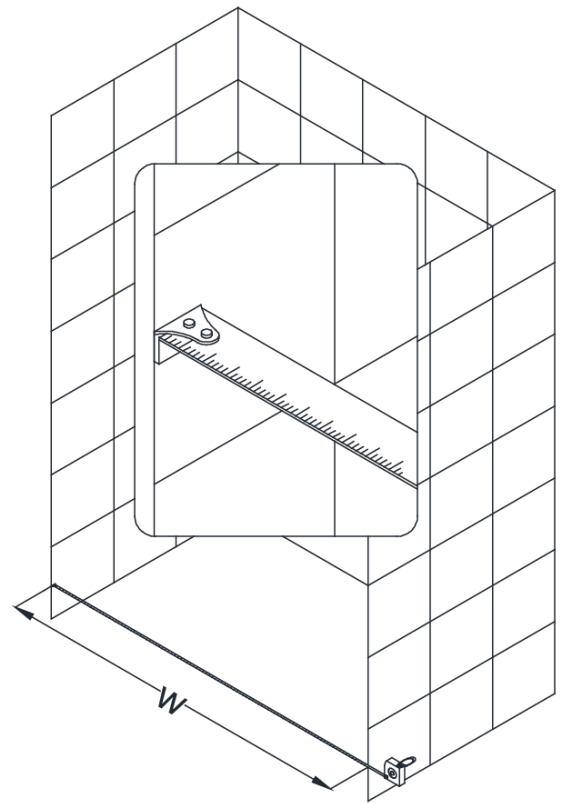


Fig. 1

2. Your **Upper Guide rail (#03)** has been precut for your Shower model width of: **60"** or **72"** (the actual rail is shorter than the model width by design).

To fit your finished opening, you will need to cut the **Upper Guide rail (#03)** from the door end which is farther from the **Glass bracket (#07)** holes. The length to cut off will be **L**.

Model Width – opening **W** = cut off length **L**

See Fig. 2 for details

FOR EXAMPLE

If your model width is 48" and your finished opening is 46", then you will need to cut 2" off of the rail:

example: 48" – 46" = 2" cut off

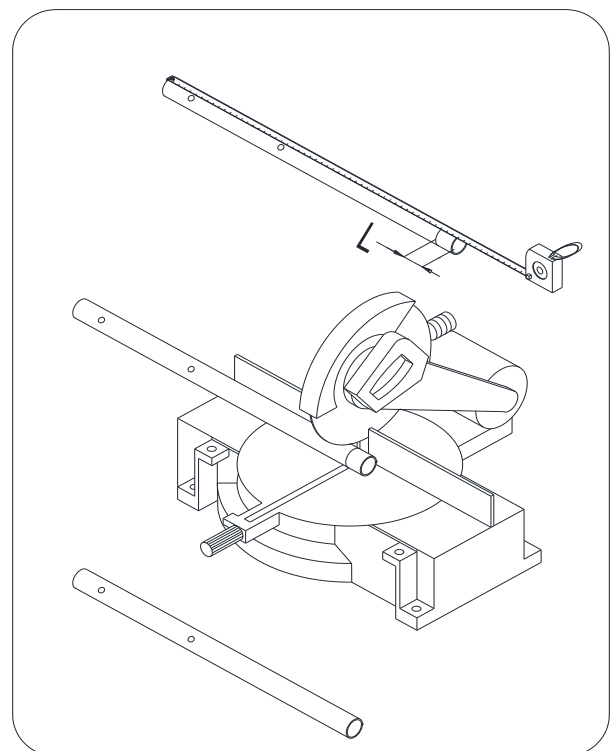


Fig. 2

3. Your **Threshold (#15)** has been precut for your Shower model width of: **60" or 72"**.

If **W**-width of your finished wall-to-wall opening is less than the size of your Shower model, you will need to cut the **Threshold** to the size of "**W**".

See Fig. 3 for details.

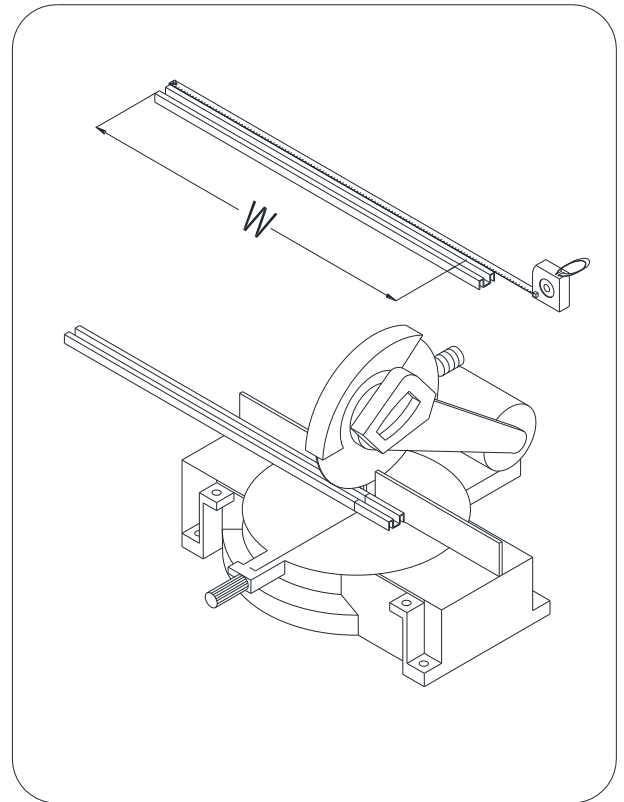


Fig. 3

4. Place the **Threshold (#15)** into the desired position parallel to the front of your shower sill.

See Fig. 4 for details.

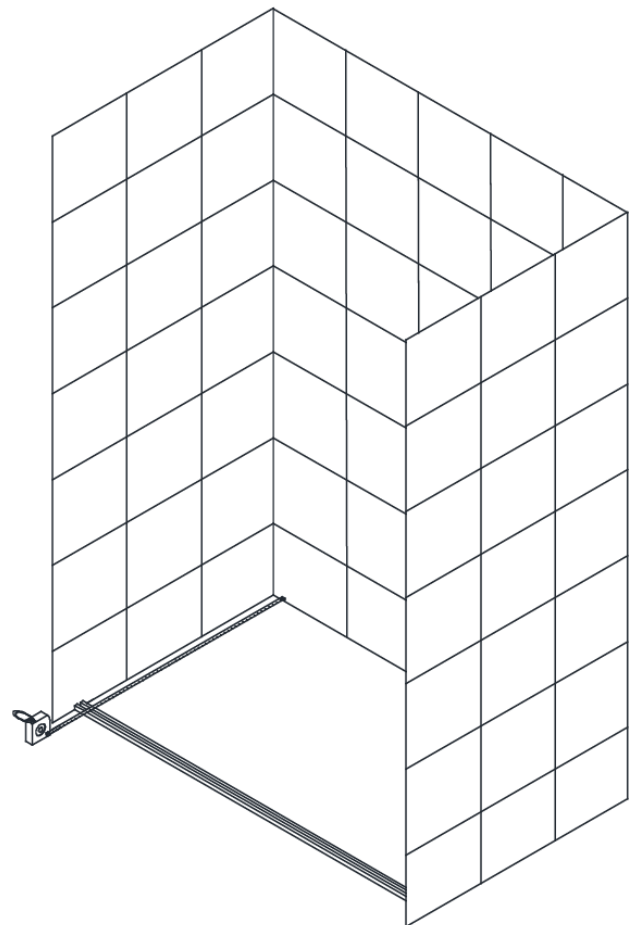


Fig. 4

5. Mark the drilling holes on the sill through the predrilled holes in the **Threshold (#15)**.

Remove the **Threshold (#15)** and drill holes into the sill using $\text{Ø } 5/16''$ drill bit and insert the **Small anchors $\text{Ø}5/16''$ (#18)**.

Apply silicone on the bottom of the **Threshold (#15)** along the center line and around the holes, place it back to the designated position and fasten it to the sill with the **Countersunk screws $\text{ST}4.2 \times 30$ (#16)**.

Make certain that the screws are fully countersunk. See Fig. 5 for details.

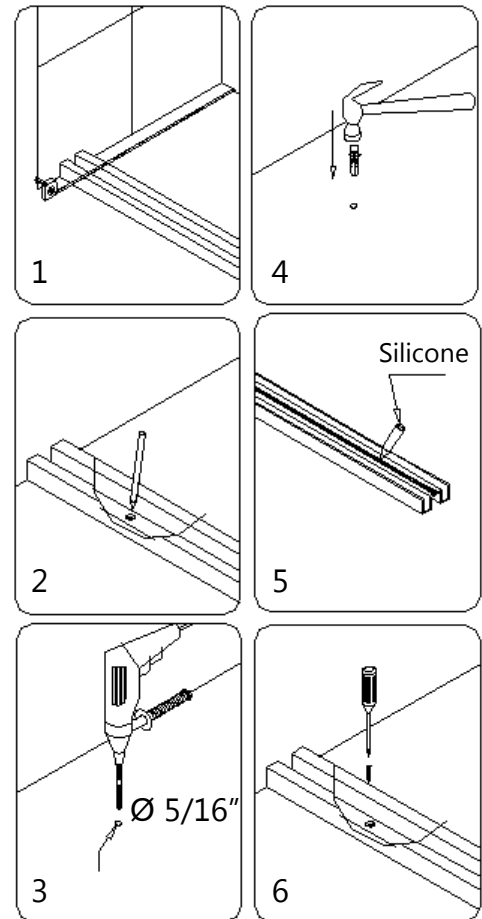


Fig. 5

6. Attach the **Upper guide rail (#03)** to the **Stationary glass (#02)** with the **Glass brackets (#07)** and tighten the bolts into the pre-drilled holes in the **Upper guide rail (#03)**. Rotate both of the adjustment disks as necessary so that the **Upper Guide rail (#03)** is even with the glass. (Fig 6.2)

Slide the **Door stoppers (#01)** onto each end of the **Upper guide rail (#03)** and secure them temporarily using the 4mm allen wrench. Slide the **Guide Rail brackets (#08)** onto each end of the **Upper guide rail (#03)** and temporarily secure them as well.

See Fig. 6 and Fig. 7 for details.

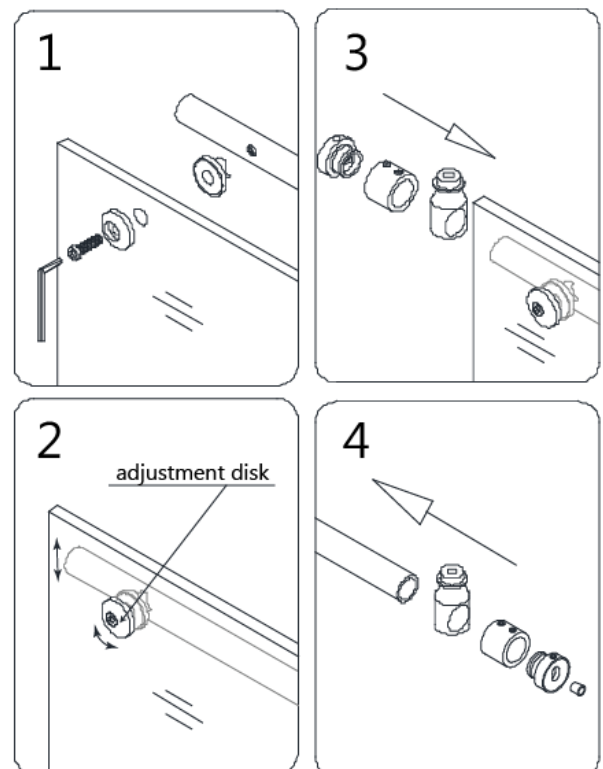


Fig. 6

7. If the width of your model is **72"** and you are installing the door with the **Small Stationary glass (#24)**, attach the **Small Stationary glass bracket (#23)** to the **Upper guide rail (#03)** between the **Door stopper (#01)** and the **Guide Rail brackets (#08)** as shown in Fig. 7(B).

NOTE: Before you install the **Stationary glass (#02)**, you need to take the **Glass door (#05)** into the shower area and lean it against the wall. After the **stationary glass (#02)** is installed, it may not be possible to get the door glass into the shower.

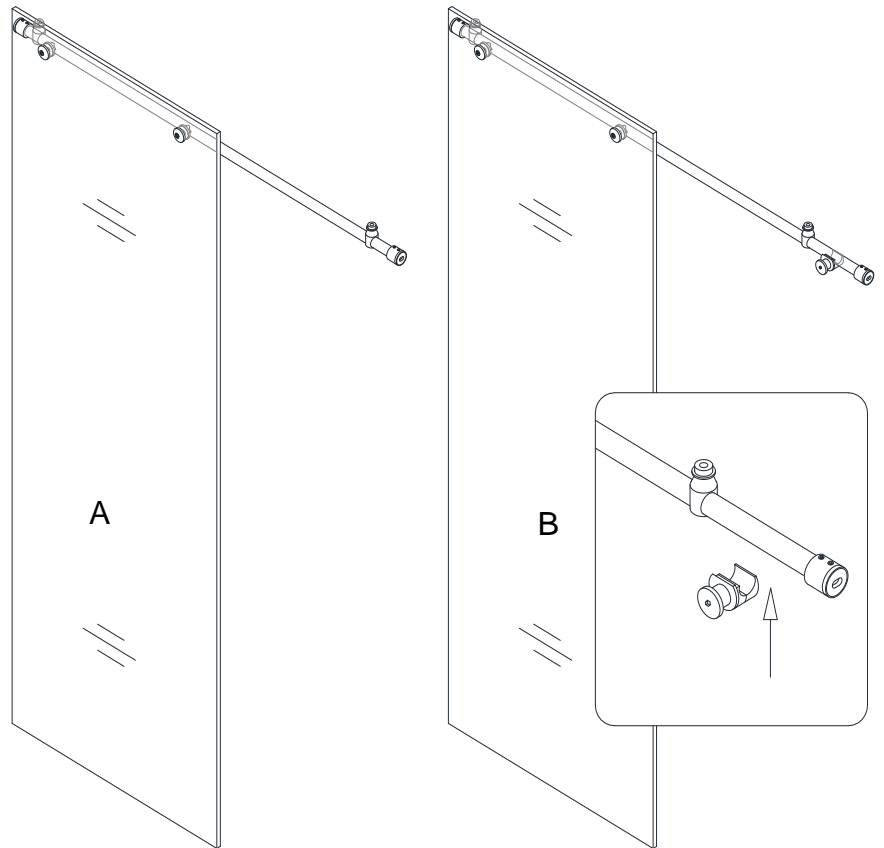


Fig. 7

8. Place the **Stationary glass (#02)** into the groove of the **Threshold (#15)** and butt it up against the wall.

(Please note that the Upper guide rail (#03) (secured to the Stationary Glass) must face inside the shower).

Make sure the **Stationary glass (#02)** and the **Upper guide rail (#03)** are leveled. If a horizontal adjustment is required, adjust it using the **Glass brackets (#07)**.

See Fig. 8 for details.

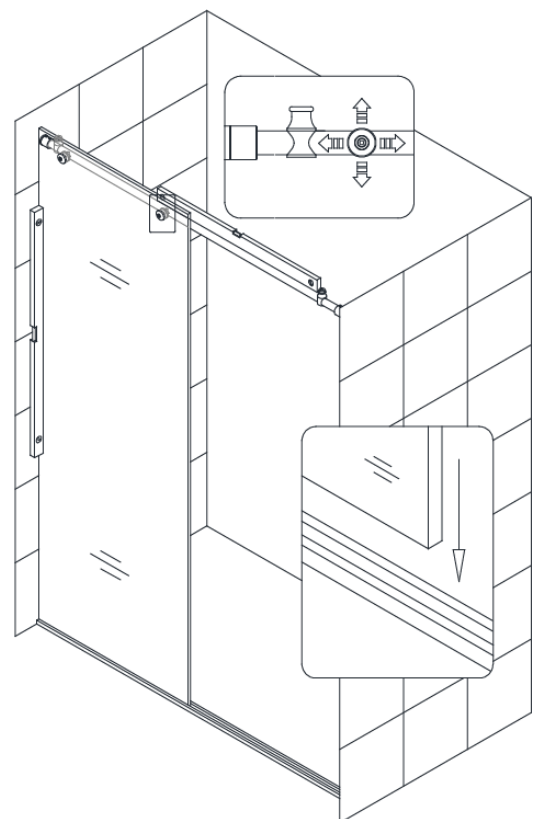


Fig. 8

9. Once leveled, outline the **Guide rail brackets' (#08)** position on the wall.

Carefully set the **Stationary glass (#02)** and **Upper Guide rail (#03)** aside.

Remove the **Guide rail brackets (#08)** from the **Upper guide rail (#03)**, place the male part of the **Upper guide rail (#03)** to the outlined positions on the wall and mark the drilling holes. Drill the holes using a $\text{Ø } 3/8''$ drill bit.

Insert the ****Wall anchors $\text{Ø}3/8''$ (#09)** and mount the male part of the **Guide rail brackets (#08)** onto the wall using the **Large Truss head screws ST6×55 (#10)**.

See fig. 9 for details.

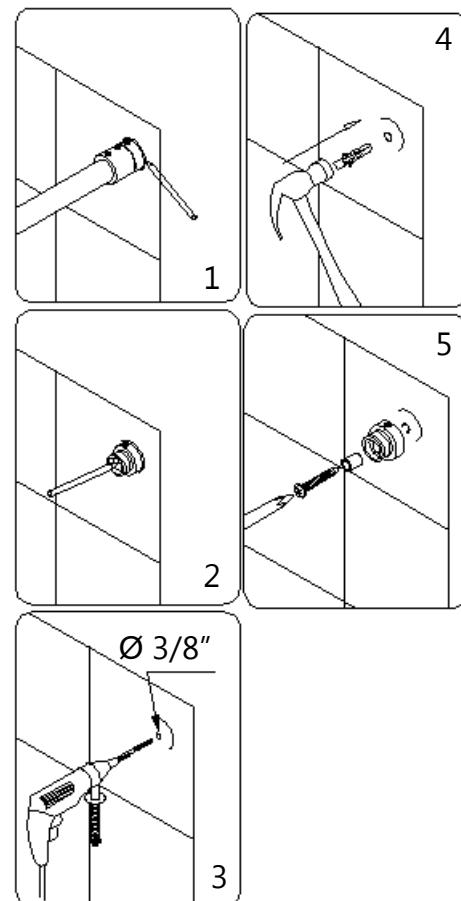


Fig. 9

****NOTE:** The manufacturer strongly recommends installing these guide rail brackets into studs or preinstalled 2"x6" wood reinforcements behind the wall.

For installation into a stud, drill a 1/4" hole up to the stud and let the screw bore into the wood.

10. Apply a small amount of waterproof silicone into the **Threshold (#15)** channel.

Place the **Stationary glass (#02)** back in position and attach both female parts of the **Guide rail brackets (#08)** to their male parts on the walls.

Tighten the set screws on the **Guide rail brackets (#08)** to secure the **Upper guide rail (#03)** between the two walls.

Upper guide rail (#03) must be leveled horizontally. Adjust **Guide rail bracket (#08)** using hex key on both ends if necessary to level the **Upper guide rail (#03)**. Tighten the screws from top and bottom of the **Guide rail bracket (#08)**.

See Fig. 10 and Fig. 11 for details.

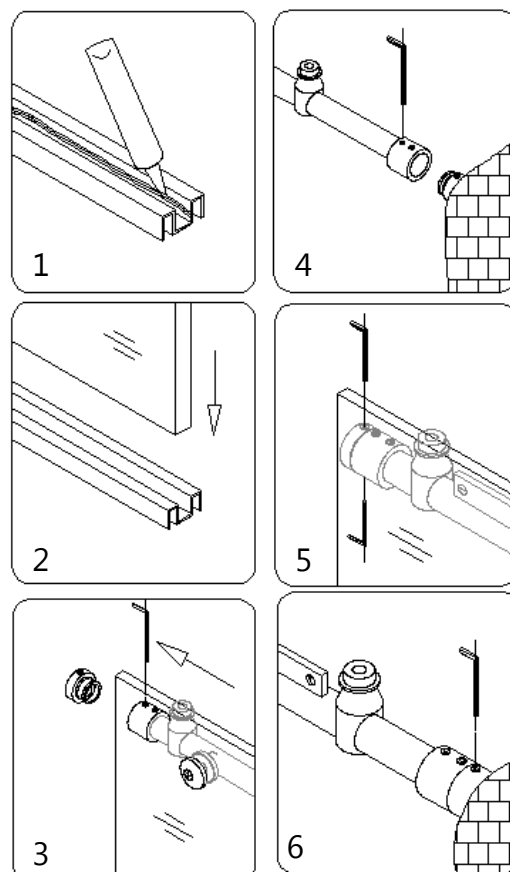


Fig. 10

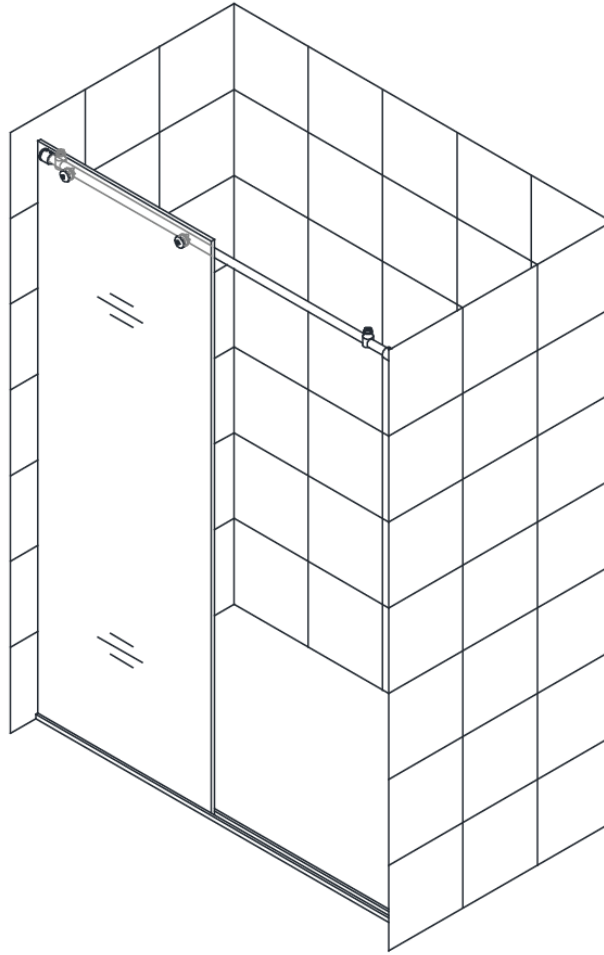


Fig. 11

ATTENTION:

This Step shows the **Small Stationary Glass (#24)** installation for **72"** door only (not included with the 60" model).

11. Screw off the female part from the **Small stationary glass bracket (#23)**.

Apply a small amount of silicone into the **Threshold (#15)** channel. Slide the **Small stationary glass (#24)** into the groove of the **Threshold (#15)** and butt it up against the wall.

Secure the **Small stationary glass (#24)** to the **Small stationary glass bracket, (#23)** and fasten the female part of the bracket back to its male part.

See Fig. 12 and Fig. 13 for details.

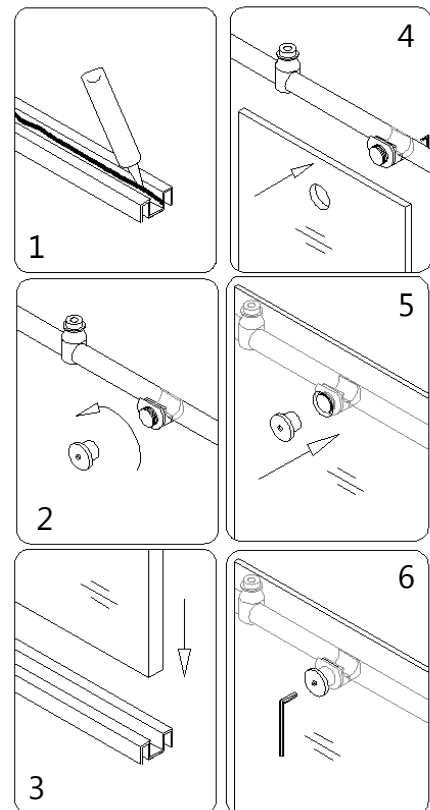


Fig. 12

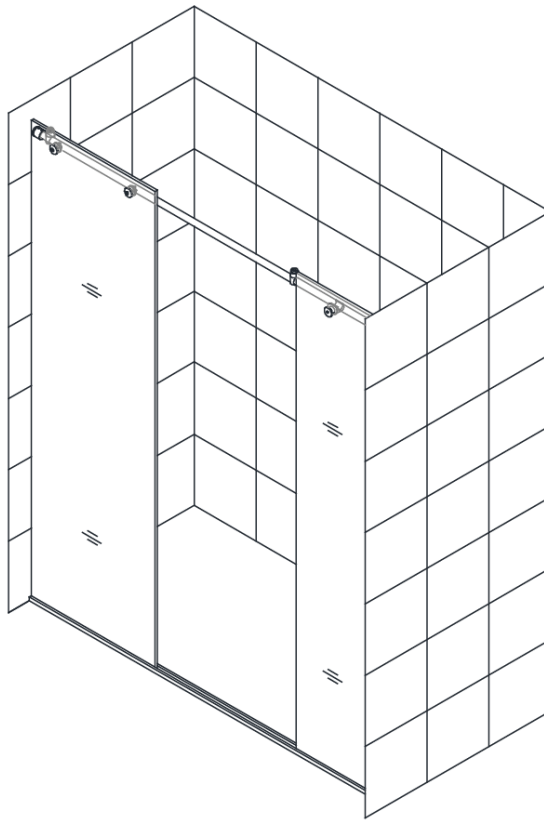


Fig. 13

12. A. Measure the distance between the **Stationary glass (#02)** and the wall for the **60"** model.
 B. Measure the distance between the **Stationary glass (#02)** and the **Small Stationary glass (#24)** for the **72"** model.

Cut the **Threshold cover (#14)** to the size of your measurement.
 Apply a small amount of silicone into the **Threshold (#15)** channel and push the **Threshold cover (#14)** into the **Threshold (#15)** channel.

See Fig. 14 for details.

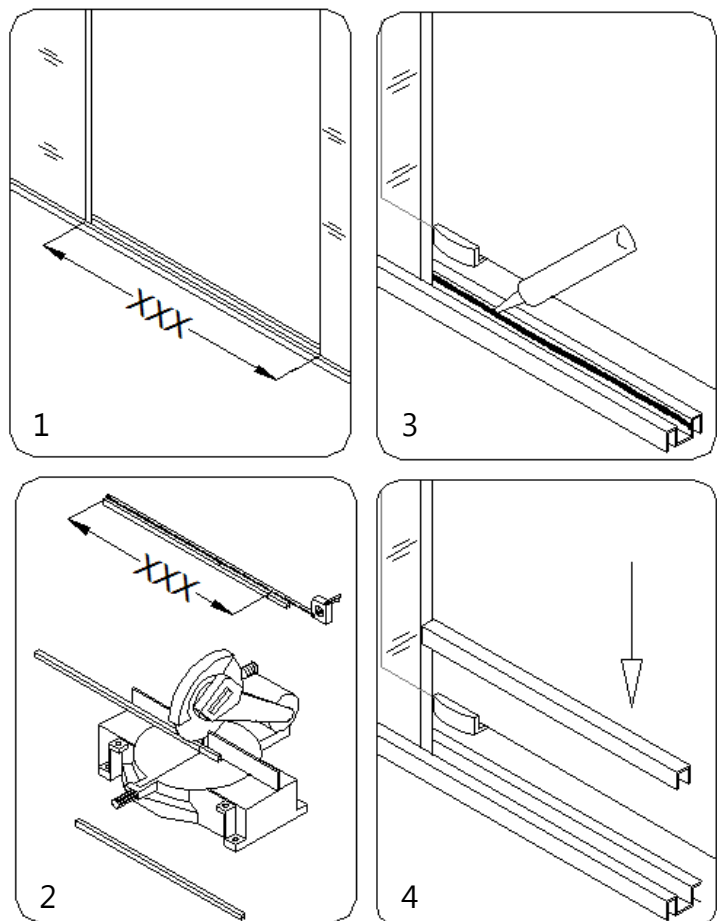


Fig. 14

13. Place the **Guide block (#12)** on the floor and parallel it to the **Stationary glass (#02)**. It should not pass beyond the vertical edge of the glass. Take a measurement to ensure the distance between the front line of the glass and the center line of the **Guide block (#12)** is **2-3/16"**. (**Fig 15.1**)

Hold it firmly and mark the drilling hole on the floor. Remove the **Guide block (#12)** and drill the hole in the floor using $\text{Ø } 5/16''$ drill bit, insert the **Small anchor Ø5/16" (#18)** and then fasten the **Guide block (#12)** to the floor with the **Countersunk screw ST4.2×30 (#16)**.

See Fig. 15 for details.

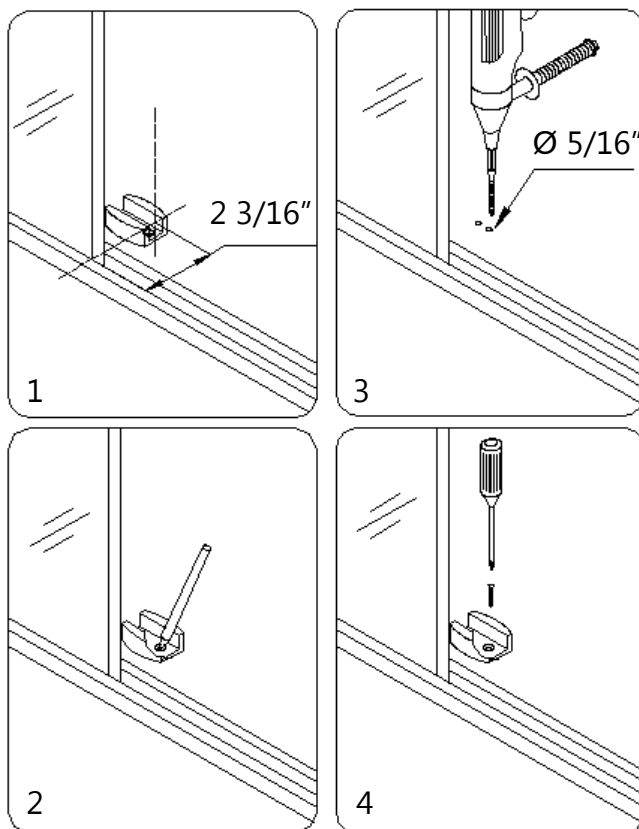


Fig. 15

14. Attach two top **Rollers (#04)** to the **Glass door (#05)**.

Suspend the door by hanging the **Rollers (#04)** onto the **Upper guide rail (#03)** and slide the bottom edge of the **Glass door (#05)** into the groove of the **Guide block (#12)**.

Then mount two lower **Rollers (#04)** onto the **Glass door (#05)** to secure the **Glass door** to the **Upper guide rail (#03)**.

See Fig. 16 for details.

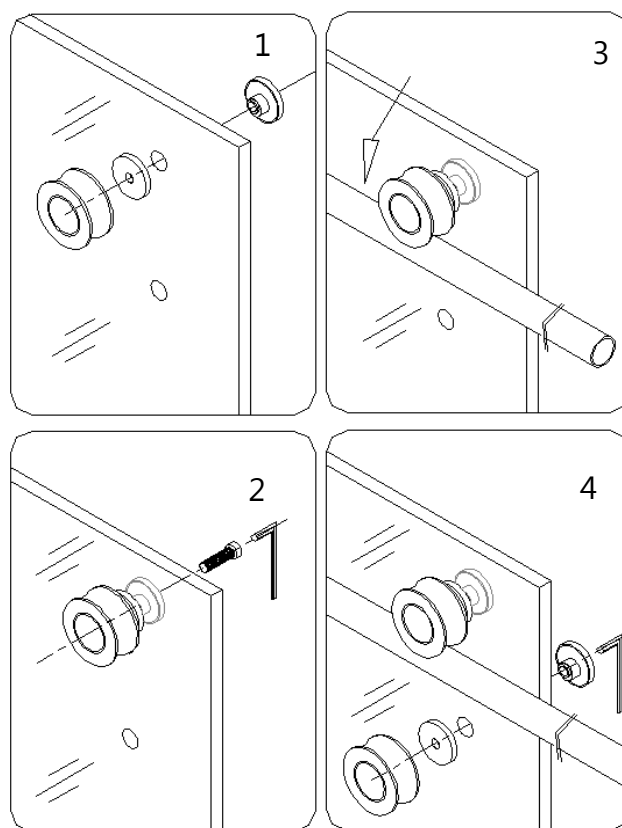


Fig. 16

15. Adjust the disks on both top **Rollers (#04)** to ensure that the bottom edge of the **Glass door (#05)** does not touch the bottom of the **Guide block (#12)**. Tighten the fasteners.

See Fig. 17 for details.

Note: The adjustment disks in the wheels are the same as the disks in the Glass brackets and can be rotated to adjust the door glass to create a seal with the wall. **See detailed description on page 15.**

TIP: Use a 1/4" shim beneath the door glass when you adjust the level of the door so that the bottom of the glass does not make contact with the guide block.

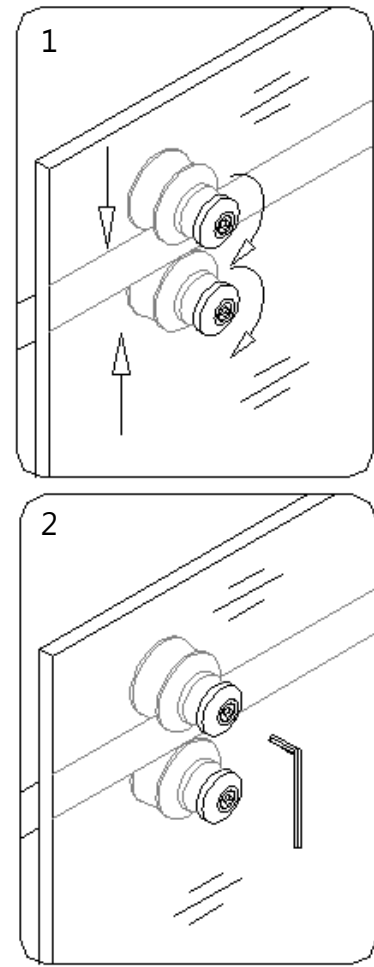


Fig. 17

16. Press the **Bumper strip (#13)** onto the vertical edge of the **Glass door (#05)** and also press the **Anti-water strip (#17)** on the vertical edges of the **Stationary glass (#02)** and the **Glass door (#05)**.

See Fig. 18 (A) for details.

Press the **Anti-water strip (#25)** onto the vertical edge of the **Small Stationary glass (#24)** (for 72" model) as shown in Fig. 18 (B)

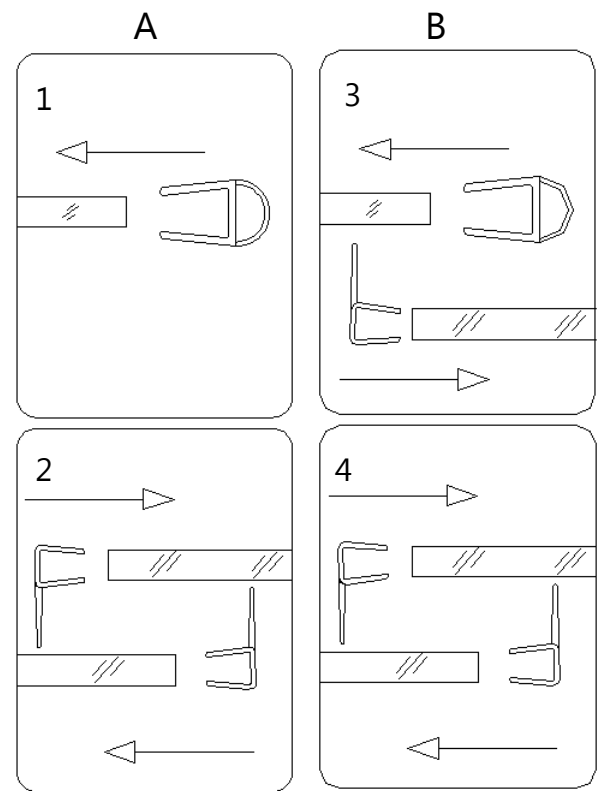


Fig. 18

17. Position both **Door Stoppers (#01)** to ensure that they are positioned upright and the **Glass door (#05)** is in its maximum opening and closing range. Tighten the set screws to fasten them in place. Mount the **Handle (#06)** to the **Glass door (#05)**.

See Fig. 19 for details.

NOTE: The **Door stoppers (#01)** must be positioned correctly to prevent the handle from contacting the **Stationary glass (#02)** and to stop the **Glass door (#05)** in a position that allows the bumper strip to create a seal with the wall, but does not allow the door glass to bang into the wall. Observe the position of these stoppers and re-adjust if necessary.

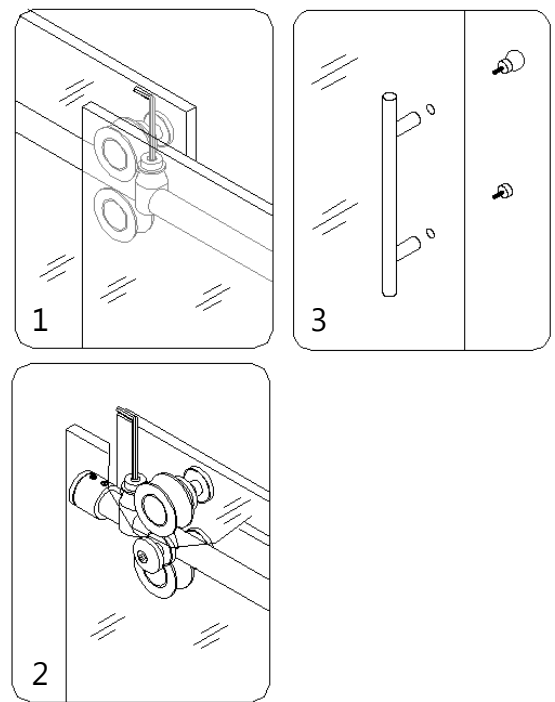


Fig. 19

18. Apply silicone along the connection of the **Stationary glass (#02) (#24)** and the wall. You may also apply an additional bead of silicone along the **Threshold**.

See Fig. 20 for details.

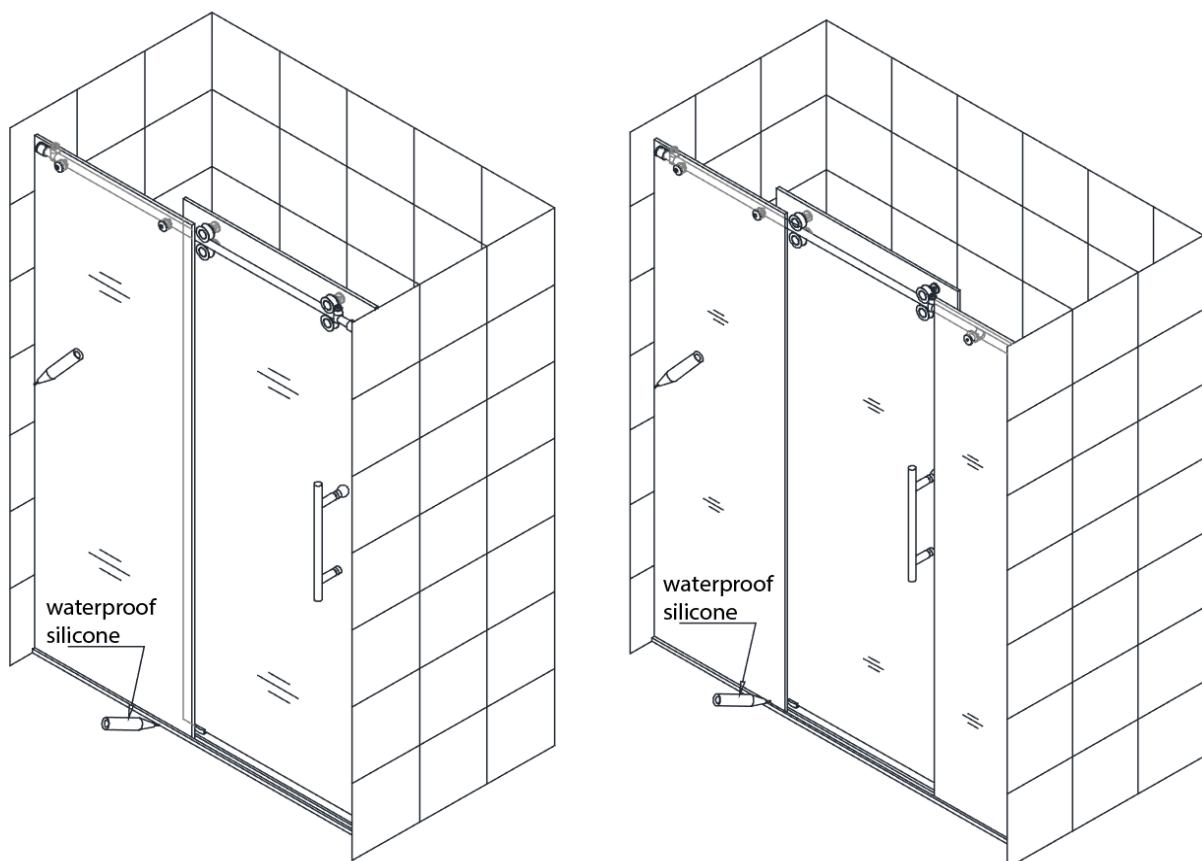


Fig 20

Enigma Roller adjustment procedure for Enigma and Enigma-X

To achieve minimal clearance beneath the door glass without making contact with the bottom guide block and creating a good seal with the wall.

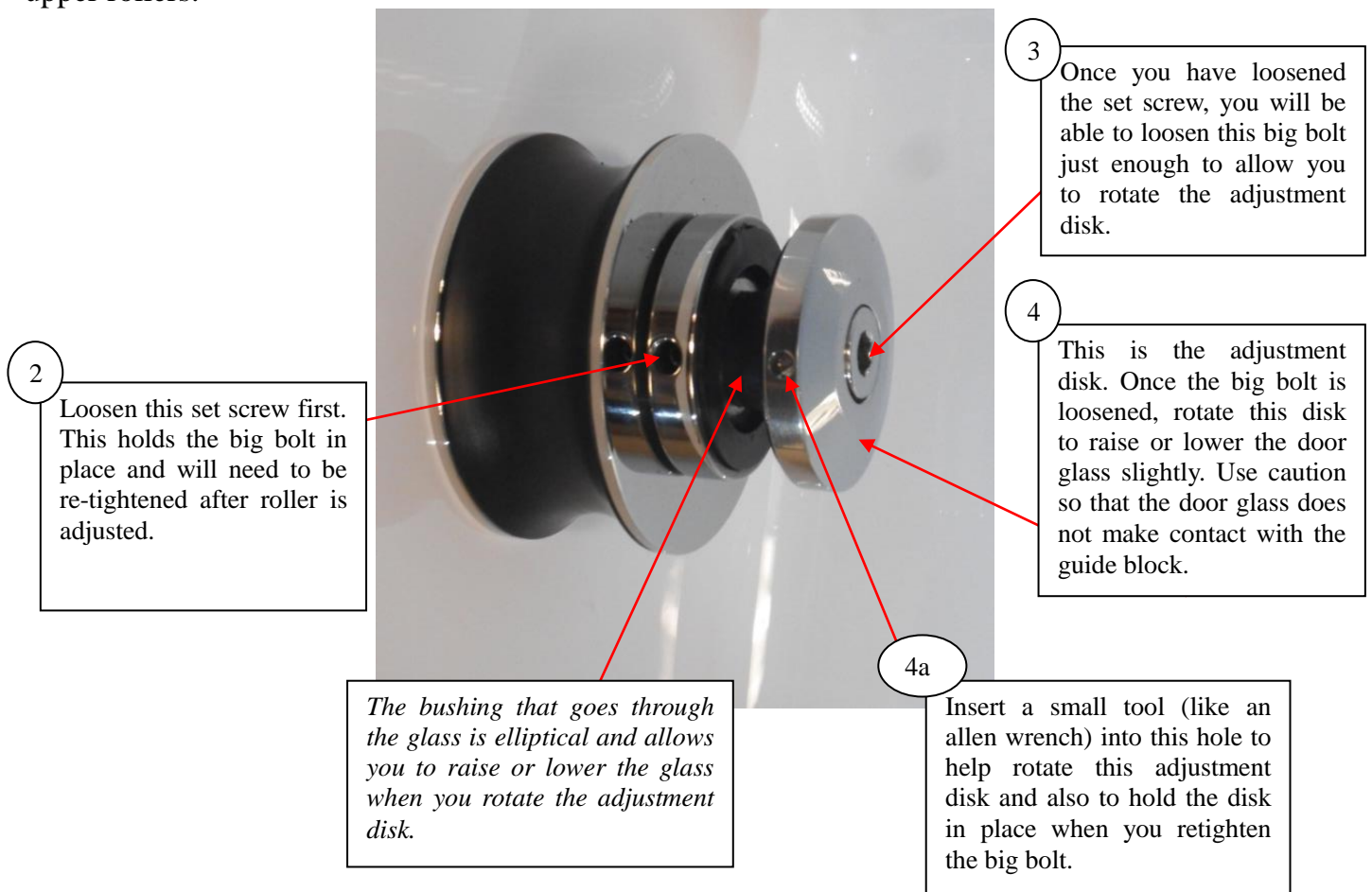
Have at least two 1/4" shims or wedge shims (to maintain space beneath the door glass) and an assistant available to help with this procedure.

You should adjust only one wheel at a time and you may need to perform these steps more than once to get the desired results.

Caution: The door glass is heavy and may require two people to safely accomplish these steps.

1. First, loosen and lower either the Roller Guards (Enigma-X) or Bottom Rollers (Enigma) to allow you enough room to adjust the upper rollers. (If you have not installed these yet, you will be instructed to do so in step #7 after these adjustments have been made).
2. Loosen the set screw on the roller. (See note 2 below)
3. Loosen the big bolt just enough so that you can rotate the adjustment disk. (See note 3 below)
4. Rotate the adjustment disk to raise or lower the door slightly with help from an assistant. You can use a small tool (like an allen wrench) to aid in turning this disk by inserting it into the small hole on the edge of the adjustment disk. (see note 4 & 4a below)
5. While holding the adjustment disk in place, retighten the big bolt. Use a shim or have an assistant hold the door glass in place while you retighten the big bolt.
6. Retighten the set screw to hold the big bolt in place and test the operation of the door.
7. *For the Enigma-X:* reposition the roller guards approx. 1/16" shy of touching the guide rail and retighten.

For the Enigma: adjust the lower rollers to make contact with the rail in the same manner as the upper rollers.



Product Maintenance

BASES and BACKWALLS: To ensure long lasting life for your acrylic back walls: wipe them off after each use with a soft cloth. To clean the acrylic back walls use non-abrasive sprays or cream based cleaners. Never use abrasive cleansers, metal brushes or scrapers that could scratch or dull the surface.

GLASS: To ensure long lasting life for your glass shower products: wipe them off after each use with a soft cloth. Rinse and wipe off the glass using either a soft cloth or a squeegee to prevent soap buildup and water spots. To prevent scratching the surface: never use abrasive cleaners and cleaning products that contain scouring agents. Never use bristle brushes or abrasive sponges.

HARDWARE: To ensure a long lasting finish: wipe off the metal parts after each use with a soft cloth. Do not use abrasive cleaners or cleaning products containing ammonia, bleach or acid. If accidentally used, rinse the surface as soon as possible to prevent finish peeling or corrosion. After cleaning the polished finishes, rinse thoroughly and wipe dry with soft cloth. Clean stainless steel surfaces at least once a week. When applying stainless steel cleaner or polish, work with (not across) the grain. Never use an abrasive sponge or cloth, steel wool or wired brush as these may permanently scratch the surface.



TEL: [866-731-2244](tel:866-731-2244)

FAX: [866-857-3638](tel:866-857-3638)

DREAMLINE.COM

For more information on [DreamLine® Shower Doors](#) and [Enclosures](#) please visit DreamLine.com