



**COUNTERTOP DRINKING WATER SYSTEM
Quick Setup Guide**



Start Here

What's in the box?

 <p>Diverter Valve</p>	 <p>Faucet Adapter</p>	 <p>Spout</p>
 <p>1/4" Tubing</p>	 <p>Elbow</p>	 <p>Filter Housing</p>
 <p>Cartridge</p>	 <p>System Guide</p>	 <p>Filter Wrench</p>

Installing your filter

Remove the bubbler screen (aerator) from the end of your faucet and replace it with the diverter valve of the Apex unit. The diverter valve* has a rotating collar for ease of installation.

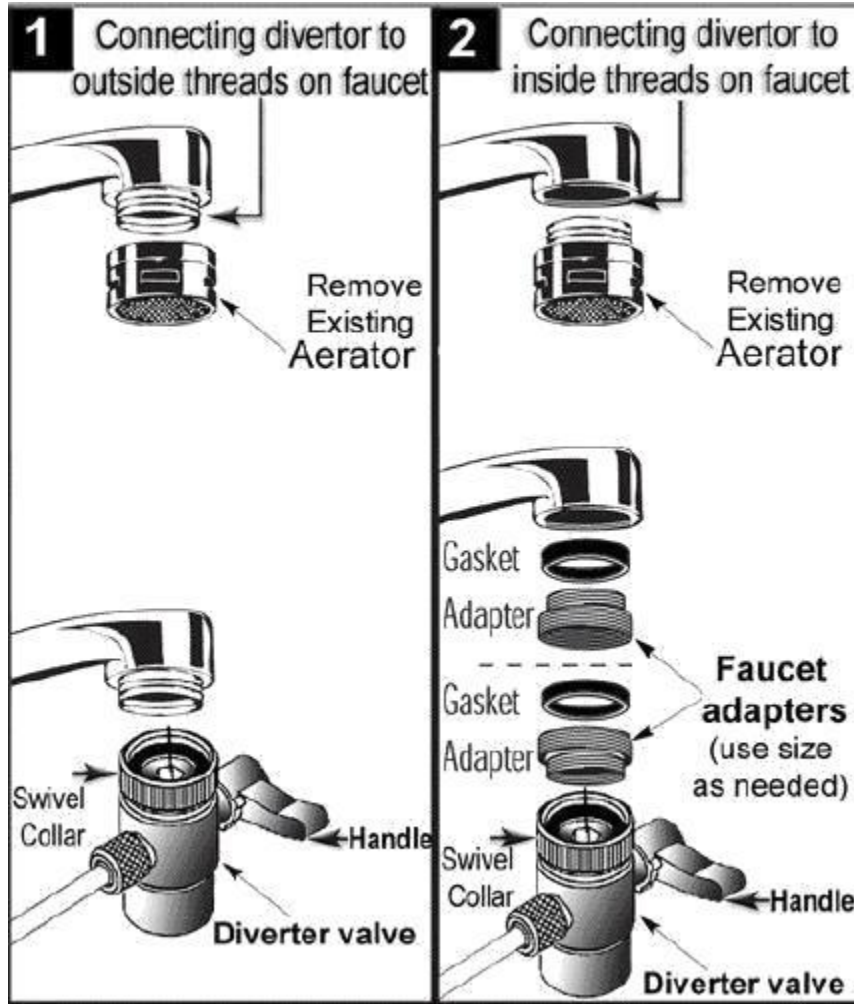


Figure 1.

Note the type of threads your faucet has - if it has threads on the OUTSIDE, the diverter should screw right on; if it has threads on the INSIDE, you must use the enclosed adapter ring and gasket.

If your faucet has non-standard threads, you may need to purchase a special adapter from your local hardware store.

Place the filter unit in a convenient location with the spout positioned over your sink. The spout is designed to swivel. Turn on your cold water and divert the water through the filter by pulling out on the knob on the diverter valve. Water pressure should hold it in the out position.

*Diverter valve may differ from the one shown here.

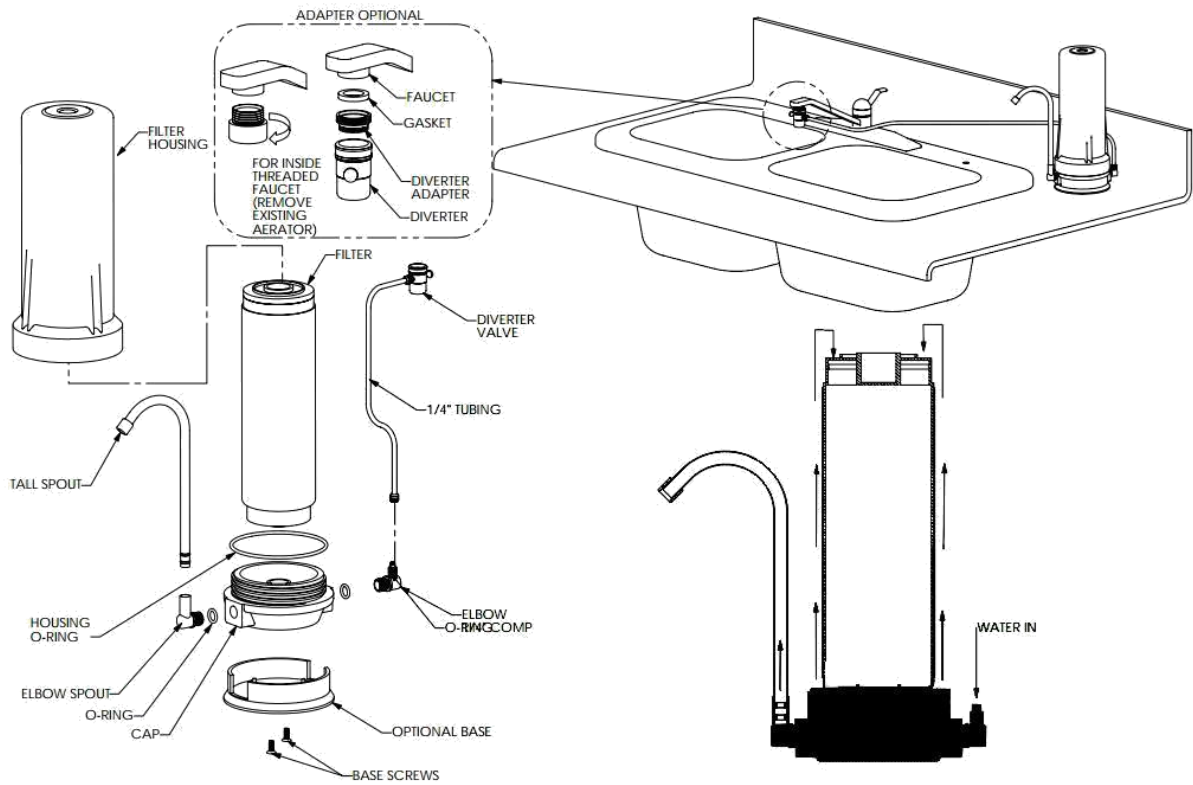


Figure 2.

Allow it to run for several minutes to flush out the normal carbon fines (blackish specs). Initially, the water may contain tiny air bubbles and taste slightly sweet - this is normal and harmless, and will clear up after flushing. To stop the flow, simply turn off the cold water at your faucet - the diverter valve knob will return automatically for normal unfiltered water flow through your kitchen faucet.

BE SURE TO RUN ONLY COLD WATER THROUGH THE UNIT.

WARNING!

Do not use this filter for water that is microbiologically unsafe or of unknown quality.

All systems are made with highest quality NSF & FDA approved high performance parts.

Specifications:

Dimensions

Assembled Depth (in.)	5.25 in	Product Depth (in.)	5.25
Assembled Height (in.)	12.25 in	Product Height (in.)	12.25
Assembled Width (in.)	5.25 in	Product Width (in.)	5.25
Fitting size (in.)	0.25		

Details

Color/Finish	Clear	Minimum feed water temperature (F)	40
Filtration method	KDF & Carbon	Number of stages	5
Maximum feed water pressure (psi)	90	Product Weight (lb.)	5 lb
Maximum feed water temperature (F)	104	Returnable	30-Day
Maximum filtered water flow (gallons per 2 min.)		Water Filtration System Type	Counter Top
Minimum feed water pressure (psi)	20	Water Filtration Technology	GAC / KDF

Replacing Your Cartridge

1. Turn off water. Unscrew housing from its base. If the housing seems stuck, soak the base of the housing for 10 minutes in a mixture of HOT water and a little vinegar.
2. Place Housing upside down on cabinet and remove used cartridge.
3. Check the O ring for wear and tear. (The O ring rests in a groove 1 “down in the housing). If it is worn replace it. If O ring is in good working order, lubricate it with petroleum jelly to ensure it lies flat and prevents leaking.
4. Unwrap plastic wrap from filter cartridge. One end of the filter will have a blue foam O ring. With your housing’s open end facing up, drop the new filter into the housing so that the blue O ring is facing up toward you and the open end of the housing. Before screwing the base back on, put some petroleum jelly on the plastic threads this will make it easier to unscrew the housing, the next time you change your filter cartridge.
5. Leave the housing on the counter, pick up the base, and screw it back on tight enough to prevent any leakage. Doing it this way will prevent the O- ring from slipping loose and causing the filter to leak. Turn the housing/canister right side up.

6. Run water through system for 2-3 minutes to prepare filter for top performance. As the filter is new it will take the water a few minutes to go through it the first time and a few loose fines (grey water) may be emitted. If water does not flow after 1 or 2 minutes, the cartridge has been installed incorrectly. Simply open the housing and reverse the cartridge.

Replace your water filter cartridge at the recommended filter replacement interval listed below for optimum performance.

MODEL	REPLACEMENT
<i>ALKALINE COUNTERTOP</i>	BOOKVNZ4PW (9 months)
<i>SINGLE STAGE COUNTERTOP</i>	BOOKRI4V78 (6-8 months)

Warranty

Your water filter includes a 30-day money-back guarantee and limited one-year manufacturer's warranty against defects in materials and workmanship.

Contact us

For replacements and accessories shop www.apexwaterfilters.com

For questions and concerns, please feel free to contact our support staff.

Phone: 1 (310) 329-1945

Fax: 1 (310) 538-0874

Email: sales@apexwaterfilters.com

Apex Water Filters

125 West Victoria Street

Gardena CA 90248 - 3522

U.S.A.

Installation de votre filtre

Retirez l'écran de barboteur (aérateur) à partir de la fin de votre robinet et le remplacer par la vanne de dérivation de l'unité Apex. La vanne de dérivation comporte un collier rotatif pour faciliter l'installation.

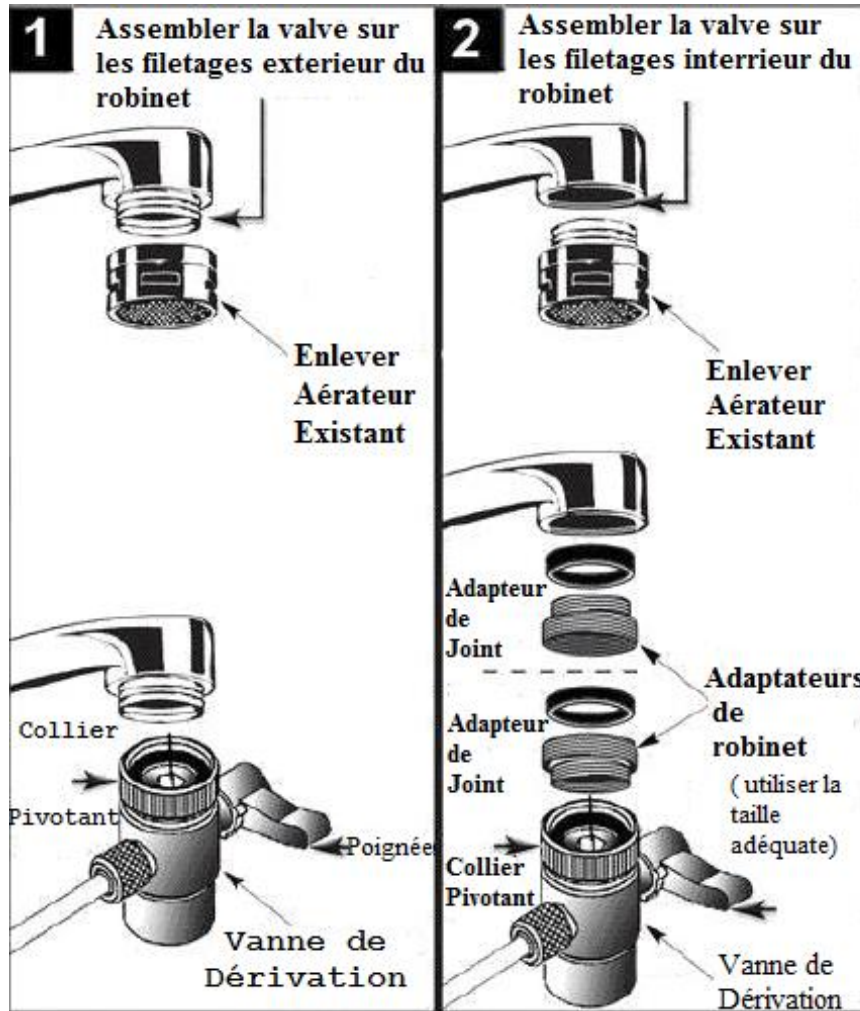


Figure 1.

Regardez le genre de filetages qui se trouvent dans votre robinet- si les filetages sont situés à l'extérieur, la valve se fixera directement dessus; si les filetages sont à l'intérieur, vous devez utiliser la bague d'adaptation fournie et le joint.

Si votre robinet possède des filetages qui ne sont pas standard, vous devriez probablement acheter un adaptateur spécial dans votre quincaillerie.

Mettez le filtre dans un endroit approprié en positionnant le goulot au-dessus de votre robinet. Le goulot est fait pour pivoter. Ouvrez votre eau froide et détournent l'eau à travers le filtre en tirant sur le bouton de la valve directionnelle. La pression de l'eau la gardera dans la position relâchée.

*La valve directionnelle peut être différente de celle dans l'image.

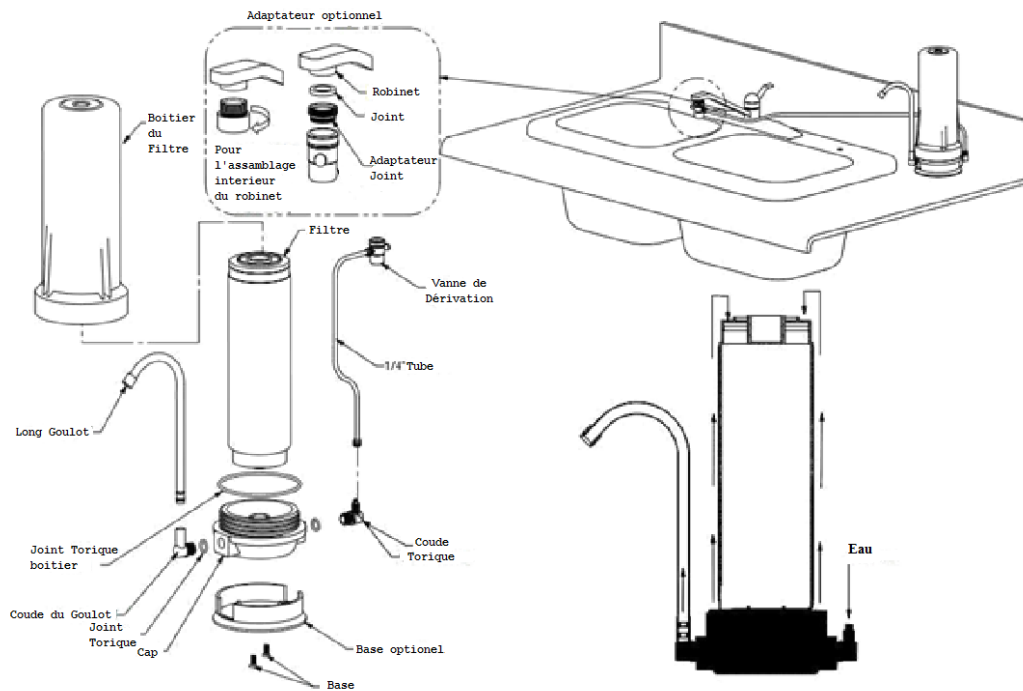


Figure 2.

Laissez la fonctionner pour plusieurs minutes pour se débarrasser du carbone (des résidus noirs) . D'abord, l'eau peut contenir des petites bulles d'air et avoir un gout sucré- ceci est normal et sans danger, et ça deviendra propre après le filtrage. Pour arrêter le flux, fermez simplement l'eau froide de votre robinet- le bouton de la valve directionnelle transformera automatiquement l'eau normale non filtrée vers le robinet de votre cuisine.

ASSUREZ-VOUS DE FAIRE FONCTIONNER UNIQUEMENT L'EAU FROIDE DANS LE FILTRE.

ATTENTION!

N'utilisez pas ce filtre sur l'eau qui est microbiologiquement dangereux ou de qualité inconnue.

Tous les systèmes sont fabriqués et approuvés avec une haute qualité NSF et FDA.

Caractéristiques:

Variation de température: (4 °C- 38 °C)	39 °F-100 °F
Flow Flux: (3.8L/min)	1 gpm
Capacité:	9000 Gal
Pression:	20 psi - 125 psi
Compteur de dimension simple du transfert:	6" x 5" x 13" H
Poids du Transfert:	6 lbs.

Remplacer votre cartouche

Remplacer la cartouche de votre filtre d'eau dans les périodes de remplacement précisées ci-dessous pour une performance optimale.

MODEL de	REPLACEMENT
<i>ALKALINE COUNTERTOP</i>	BOOKVNZ4PW (9 months)
<i>SINGLE STAGE COUNTERTOP</i>	BOOKRI4V78 (6-8 months)

Garantie

Votre filtre d'eau contient une garantie de 30 jours
De remboursement et une garantie du fabricant
Limitée d'une année contre les dommages et la qualité Du travail.

Contactez nous

La boutique pour les remplacements et
les accessoires

www.apexwaterfilters.com

Pour les questions et les préoccupations,
n'hésitez pas à contacter notre
personnel d'assistance.

Téléphone: 1 (310) 329-1945

Faxe: 1 (310) 538-0874

Email: sales@apexwaterfilters.com

Apex Water Filters

125 West Victoria Street

Gardena CA 90248 - 3522

U.S.A.

