

OWNER'S MANUAL

EMERY 7 PCS DINING SET

Product code: D71 M34694-001

UPC code: 769455 766625

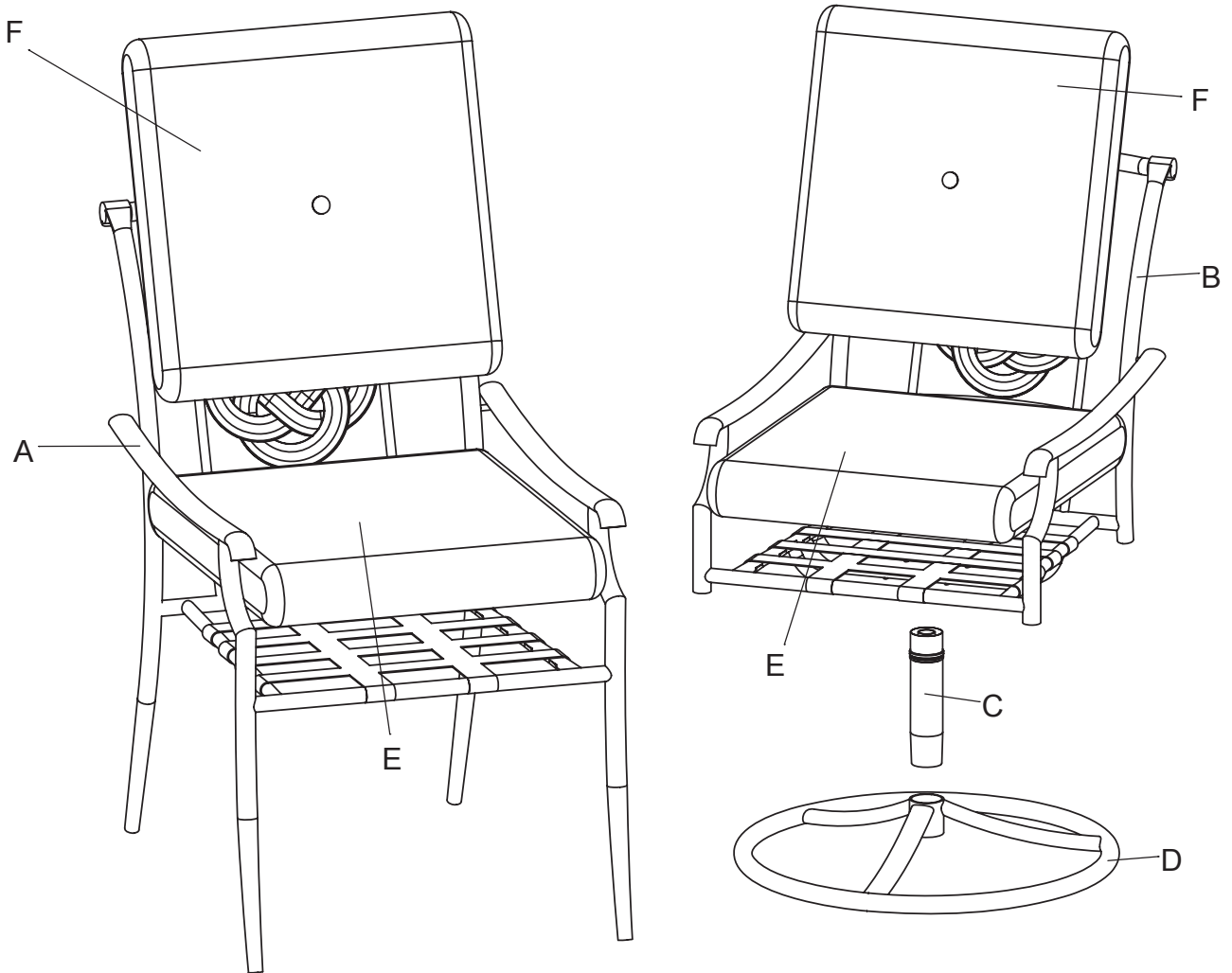
Vendor Item: SC-K-429N-1S/6

Date of purchase: ____ / ____ / ____

PARTS

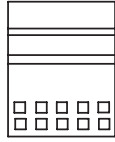
Read through all the instructions before beginning assembly. Unpack and identify all the parts. Place them on a flat, non-abrasive surface. Assembly by two people is recommended.

ITEM	DESCRIPTION	QUANTITY
A	Chair Frame	4
B	Swivel Top	2
C	Center Post	2
D	Swivel Base	2
E	Seat Cushion	6
F	Back Cushion	6



ACCESSORIES

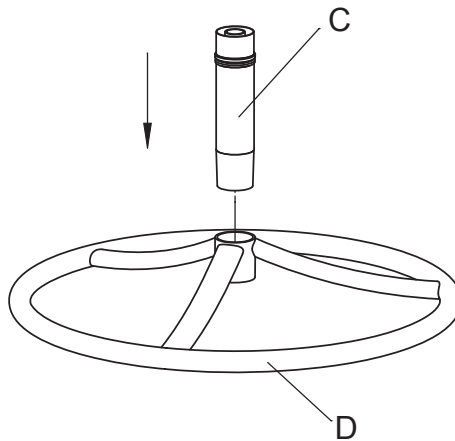
Ga (1)
Assembly
Instructions Sheet



ASSEMBLY INSTRUCTIONS

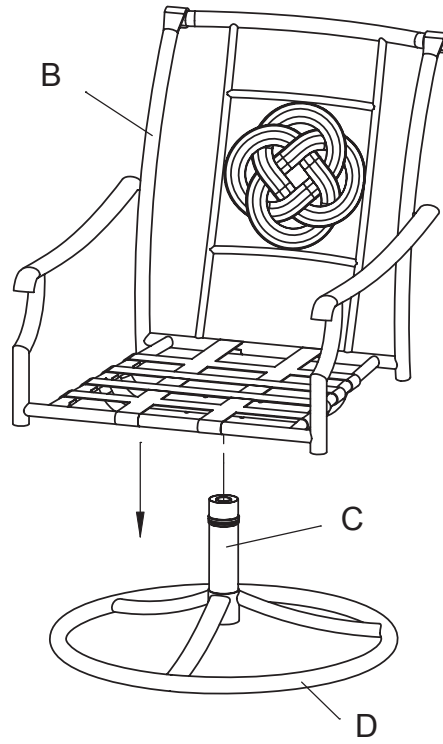
SWIVEL ASSEMBLY

1

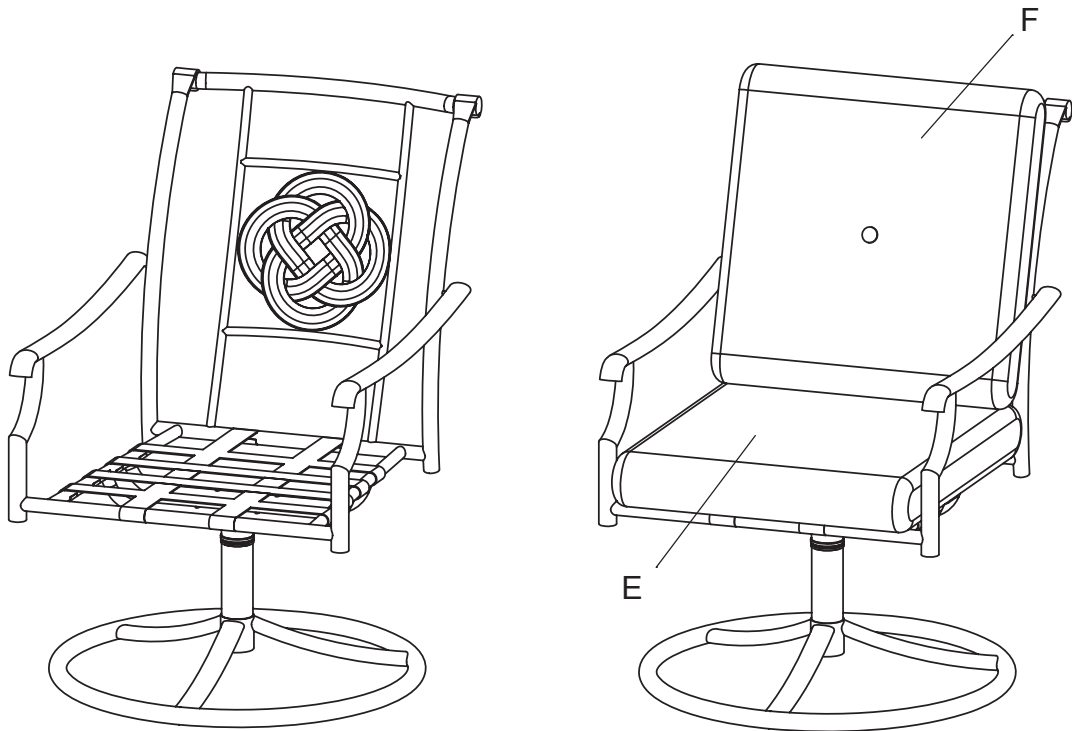


- Push the center post (C) down firmly and twist it left and right as necessary.

2



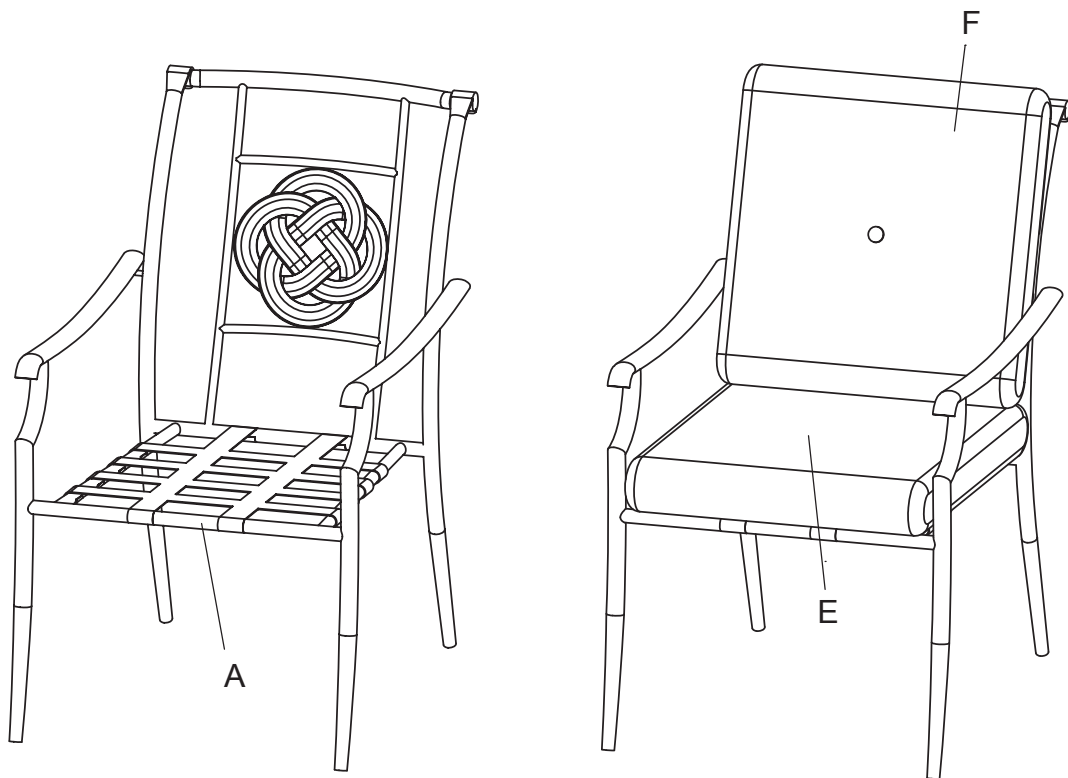
3



• Repeat procedure for the other swivel chair.

CHAIR ASSEMBLY

4



- Repeat procedure for the remaining three chairs.
- Your cushion chairs and swivels are now ready to use.

CARE INSTRUCTIONS

Wash with a mild solution of soap and water; rinse thoroughly. Dry completely. Do not use bleach or solvents. Cover furniture with outdoor furniture covers when not in use.

sears

Please refer to part numbers when reordering

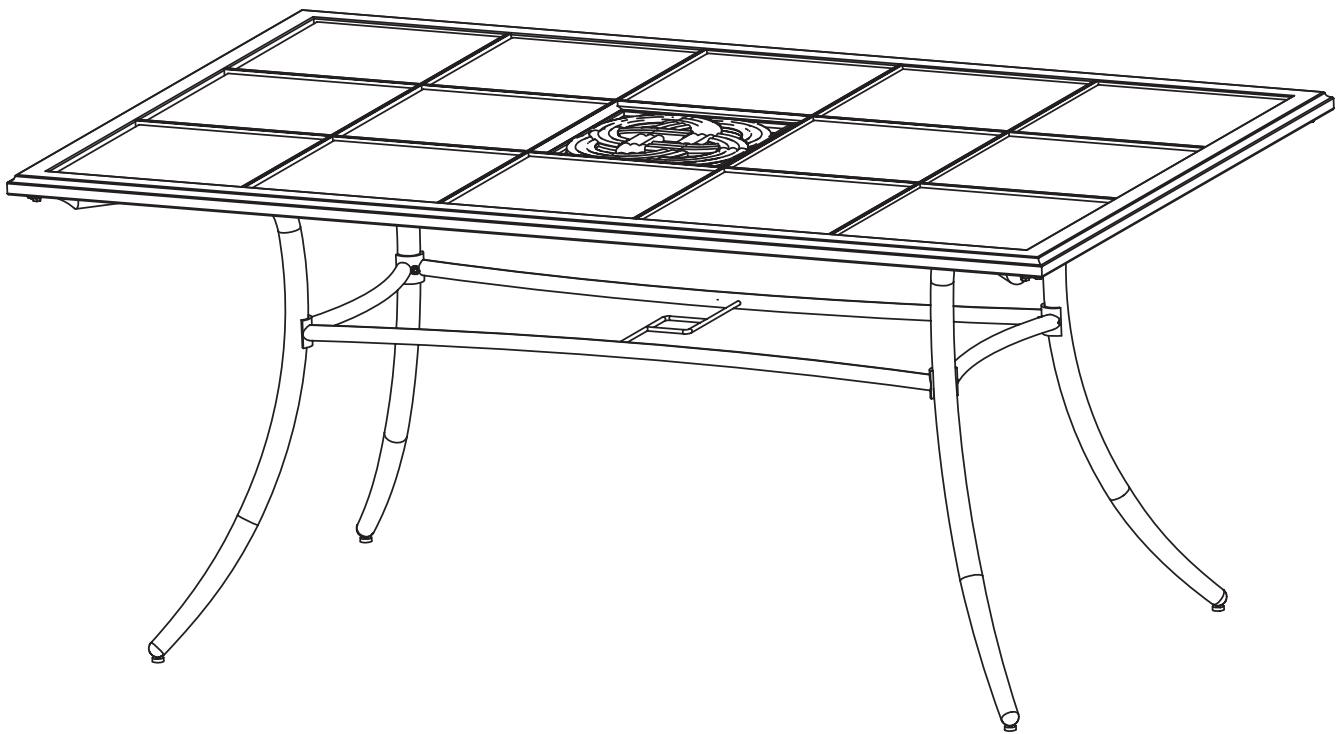
For questions or comments about product:

Call toll-free: 1-800-457-4652

Made in / Hech en CHINA

Distributed by Sears, Roebuck and Co., Hoffman Estates, IL 60179

See our extensive assortment of outdoor living products
on-line at www.sears.com and www.kmart.com



OWNER'S MANUAL

EMERY 7 PCS DINING SET

Product code: D71 M34694-001

UPC code: 769455 766625

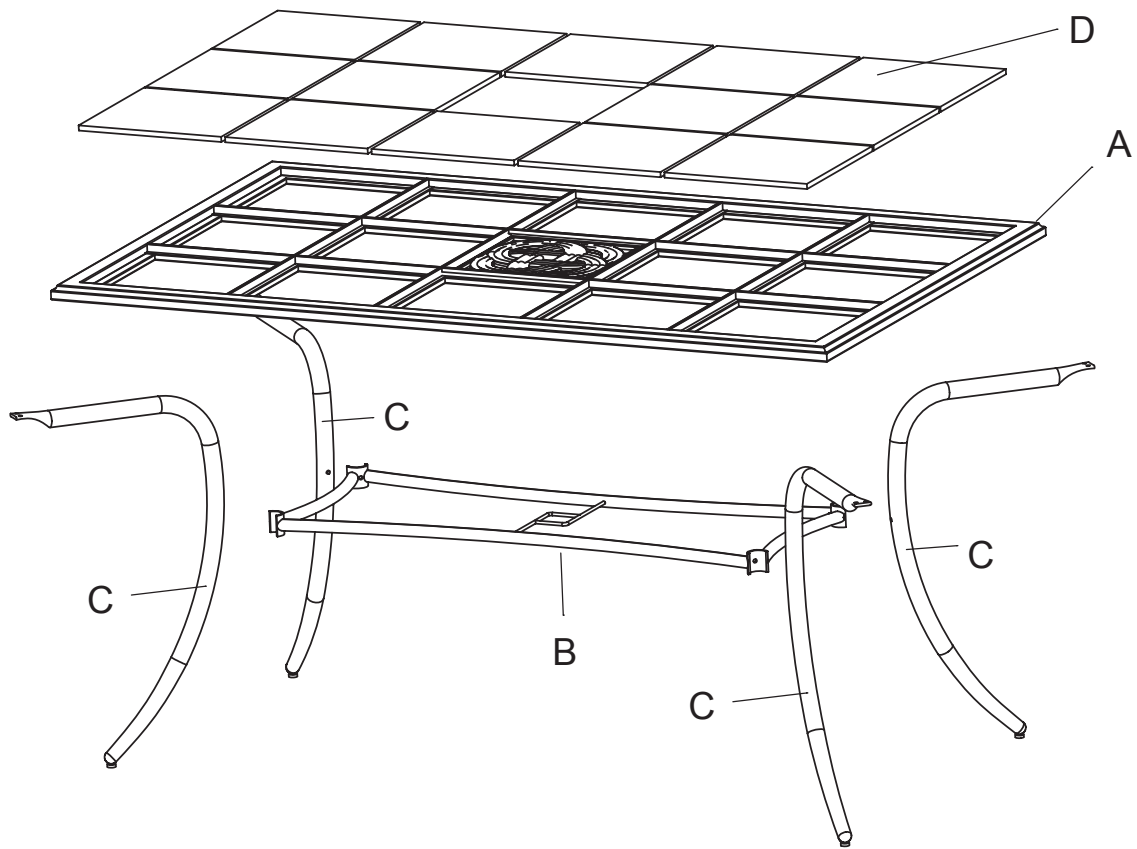
Vendor Item: SC-K-429N-1T

Date of purchase: ____/____/____

PARTS

Read through all the instructions before beginning assembly. Unpack and identify all the parts. Place them on a flat, non-abrasive surface. Assembly by two people is recommended.

ITEM	DESCRIPTION	QUANTITY
A	Table Rim (8 Metal Washers and 8 Bolts attached)	1
B	Metal Center Ring	1
C	Metal Leg (1 Metal Washer and 1 Bolt attached for each)	4
D	Tile	14 + 1 spare

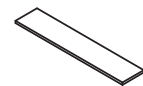


ACCESSORIES

Ea (1 spare)
Bolt



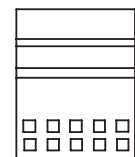
Ed (6 spares)
Thinner Tile Bumper



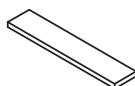
Eb (1)
Allen Wrench



Ee (1)
Assembly
Instructions Sheet



Ec (8 spares)
Thicker Tile Bumper



ASSEMBLY INSTRUCTIONS

1

Ea x 8
Bolt

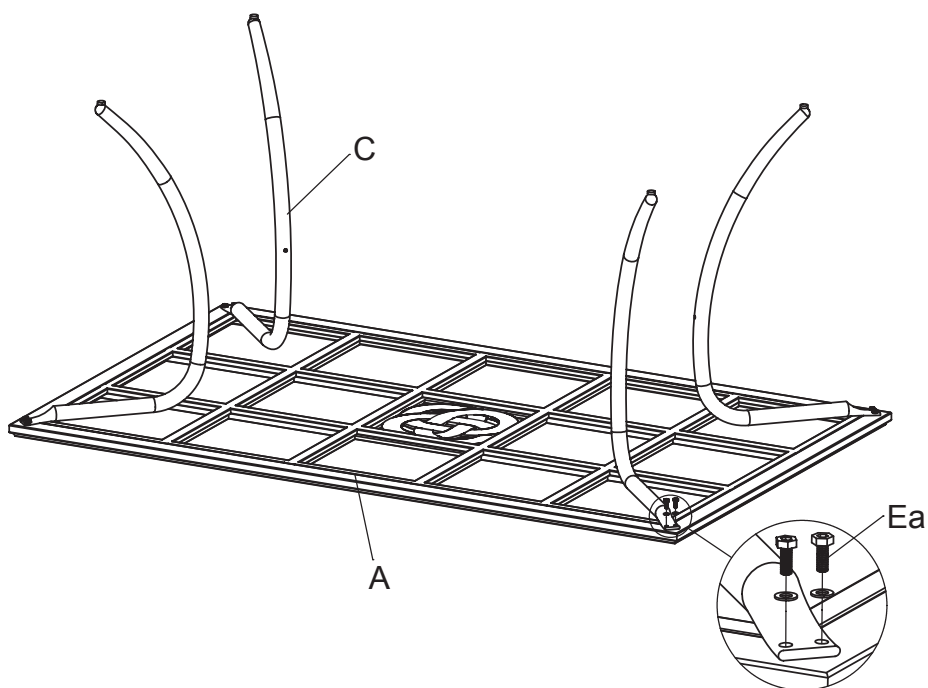


(remove from the table rim)

Metal Washer x 8



(remove from the table rim)



- Don't tighten completely.
- Repeat procedure for the other three legs.

2

Ea x 4
Bolt

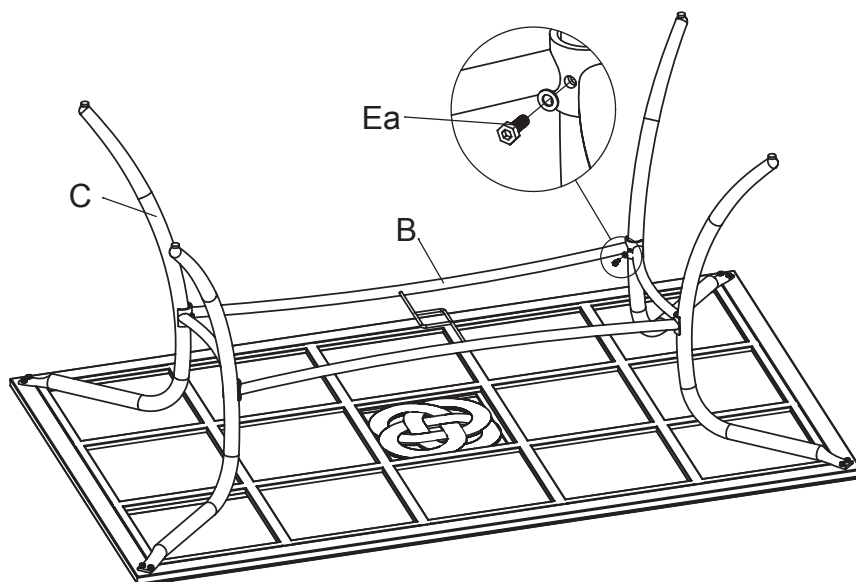


(remove from the leg)

Metal Washer x 4

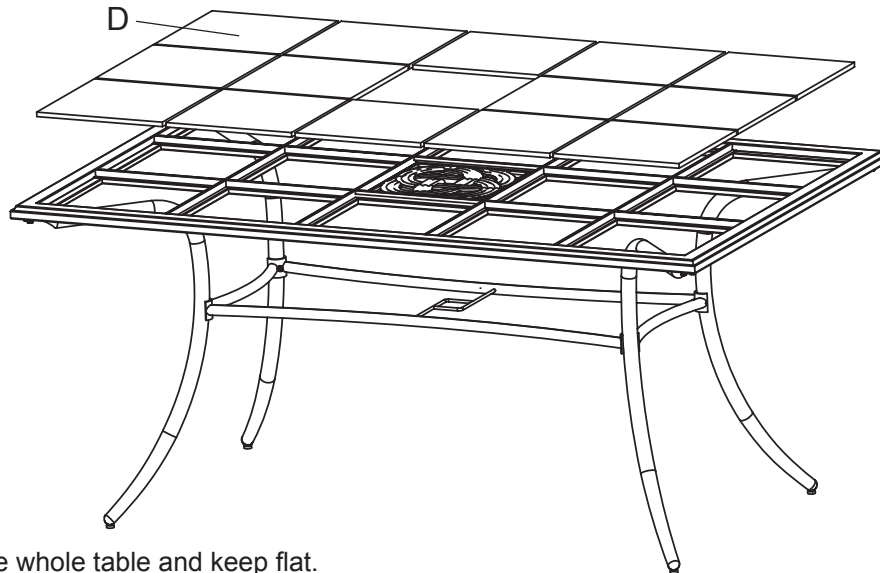


(remove from the leg)



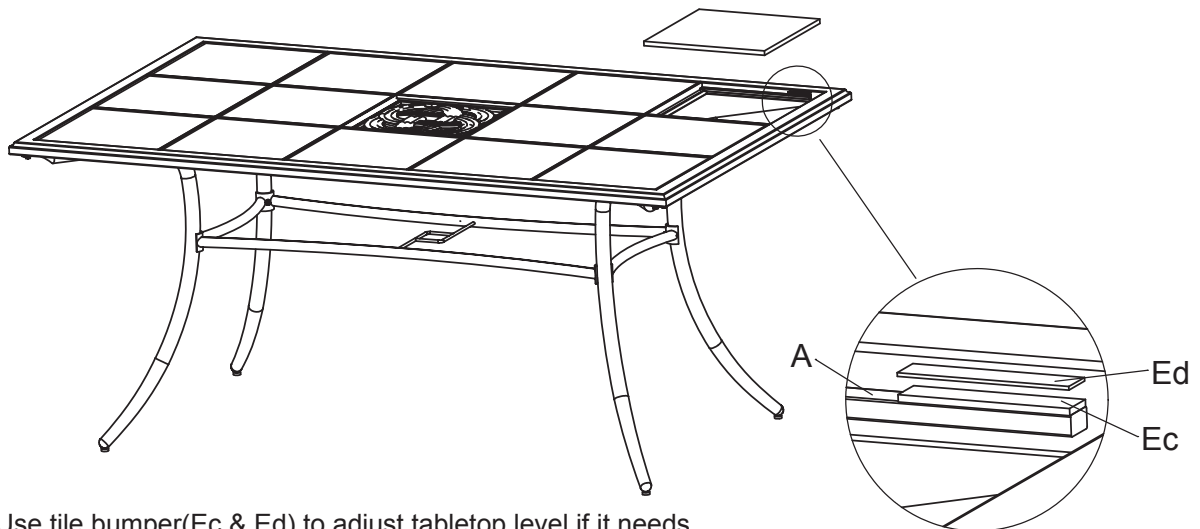
- Don't tighten completely.
- Repeat procedure for the other three legs.

3



- Turn over the whole table and keep flat.
- Securely tighten all bolts diagonally.
- Put the tile (D) into the table rim.

4



- Use tile bumper(Ec & Ed) to adjust tabletop level if it needs.
- Your table is ready for use.

CARE INSTRUCTIONS

Wash with a mild solution of soap and water; rinse thoroughly. Dry completely. Do not use bleach or solvents. Cover furniture with outdoor furniture covers when not in use.

sears

Please refer to part numbers when reordering

For questions or comments about product:

Call toll-free: 1-800-457-4652

Made in / Hech en CHINA

Distributed by Sears, Roebuck and Co., Hoffman Estates, IL 60179

See our extensive assortment of outdoor living products
on-line at www.sears.com and www.kmart.com