

# NX58H9950WS

5.8 CU. FT. SLIDE-IN GAS RANGE WITH INTUITIVE CONTROLS

## CHEF COLLECTION

Our premium Chef Collection line is designed by Master Chefs with the sophisticated cook in mind. Every appliance in the collection has been tested and approved by Michelin Star chefs to build the best kitchen possible.

### FEATURES

- Slide-in Design
- 5 Gas Burners
  - Right Front: Dual 19K BTU
  - Left Front: 15K BTU
  - Right Rear: 5K BTU
  - Left Rear: 9.5K BTU
  - Center: 9.5K BTU (Oval)
- Large Oven Capacity – 5.8 cu. ft.
- Guiding Light Controls
- Cast Iron 3 Piece Grates
- Reversible Cast Iron Griddle
- Wok Grate
- Grate Indicator Marks
- True Convection Oven (3-Fan)
- Temperature Probe
- Warming Drawer (3 Levels)
- Healthy Cook Options

### CONVENIENCE

- Auto Oven Light
- Sabbath Mode
- Delay Start
- Auto Shut-Off Option
- Child Safety Lock
- Self Clean
- 3 Favorite Cook Presets
- 4 Healthy Cook Presets
- 3 Chrome Oven Racks, including 1 Gliding Rack



Power/Flexible Cooktop



Guiding Light Controls



Cast Iron Reversible Griddle

### Available Color



Stainless Steel

### Signature Features

#### POWERFUL/FLEXIBLE COOKTOP

- True dual-power burner allows for even heat distribution and reduced cooking time, plus the convenience of a large oval burner.

#### GUIDING-LIGHT CONTROLS

- Intuitive controls in a premium design offer simple, step-by-step instructions for choosing cooking options.

#### TRUE CONVECTION

- Heated fan system is great for baking and broiling because temperature is distributed thoroughly and food cooks evenly.

#### REVERSIBLE CAST IRON GRIDDLE

- Reversible griddle provides the flexibility of cooking on flat or grilled surface, while the Cast Iron provides even cooking.

#### GLIDING RACK

- Glides heavy items in and out with ease.
- Easily check on food with lightweight sliding action with the ball-bearing gliding rack.

#### GRATE INDICATOR MARKS

- Indicator marks located on the grates allow cookware to be ideally placed for precise cooking.

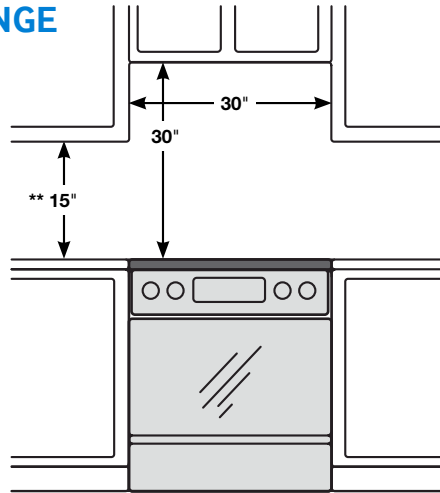
# NX58H9950WS

5.8 CU. FT. SLIDE-IN GAS RANGE WITH INTUITIVE CONTROLS

## INSTALLING YOUR RANGE

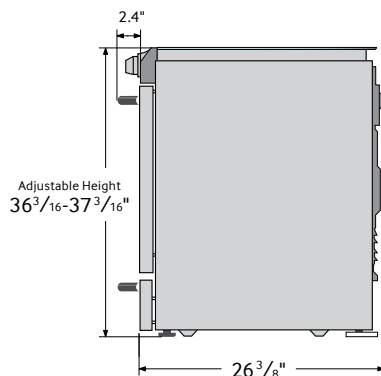
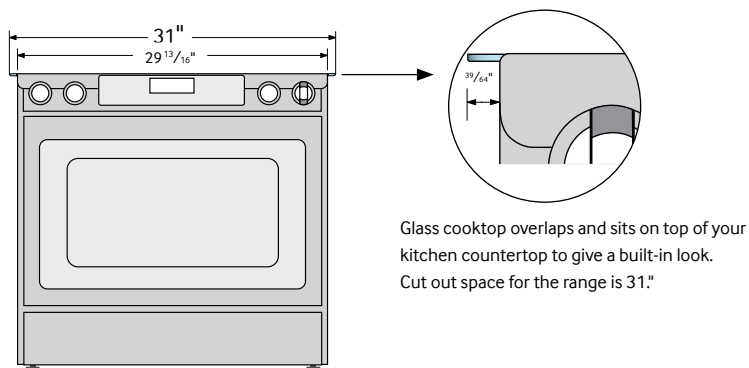
30" minimum clearance between the top of the cooking surface and the bottom of an unprotected wood or metal cabinet; or 24" minimum when the bottom of the wood or metal cabinet is protected by not less than 1/4" flame retardant millboard covered with not less than no.28 MSG sheet steel, 0.015" stainless steel, 0.024" aluminum or 0.020" copper.

\*\* 18" minimum between the countertop and the adjacent cabinet bottom.



**IMPORTANT:** To eliminate the risk of burns or fire caused by reaching over heated surface units, cabinet storage space located above the surface units should be avoided. If cabinet storage is to be provided, the risk can be reduced by installing a range hood that projects horizontally a minimum of 5" beyond the bottom of the cabinets.

## DIMENSIONS



### Total Power (BTU)

58,000 BTU

### Power Source

120 V/60 Hz

### Black Enamel 5 Burner Cooktop

- Right Front: 19000 BTU – Dual
- Left Front: 15000 BTU
- Right Rear: 5000 BTU
- Left Rear: 9500 BTU
- Center Rear: 9500 BTU – Oval

### Oven

- Bake: 150°F - 550°F
- Convection Bake: 150°F - 550°F
- Bake Burner: 19000 BTU
- Broil Burner: 16000 BTU
- Variable Broil: Low/Hi (375°F - 480°F)
- Convection Roast: 150°F - 550°F
- Sabbath Mode

### Warming Drawer

- Capacity: 0.7 cu. ft.
- Heating Performance: 600 W
- Temperature Settings: 3 Level

### Warranty

One (1) Year All Parts and Labor  
Five (5) Years Gas Cooktop

### Product Dimensions & Weight (WxHxD)

Actual Oven Dimensions:

25" x 22 1/8" x 19"

Outside Dimensions:

29 13/16" x 36 3/16-37 3/16" (Adjustable) x 26 3/8"

Weight: 233 lbs.

### Shipping Dimensions & Weight (WxHxD)

Dimensions:

32 7/8" x 43 11/16" x 30 1/8"

Weight: 256 lbs.

Color

Stainless Steel

Model #

NX58H9950WS

UPC Code

887276032061