

RS22HDHPNSR

22 cu. ft. Counter Depth Side-by-Side Refrigerator with In-Door Ice Maker

Features

- 22 cu. ft. Capacity in Counter Depth Category
- Premium External Filtered Water and Ice Dispenser
- Automatic In-Door Ice Maker
- ENERGY STAR® Compliant
- LED Tower Lighting
- Twin Cooling Plus™
- Multi Air Flow
- Six Temperature Sensors
- Power Freeze and Power Cool Options
- Tempered Glass Spill-Proof Shelves

Convenience

- Dispenser Light
- Door Alarm
- Water Filter Indicator
- Wine Rack



ENERGY STAR® Rated:
CEE Tier 1: More Efficient
(20% more efficient than Federal Standard)
646 kWh/yr



Side-by-Side Design



Premium External Filtered Water and Ice Dispenser

Available Colors



Stainless Steel



White



Black

Signature Features

TWIN COOLING PLUS™

- Keeps food fresher longer – Twin Cooling Plus™ humidity levels up to 3.6x higher than single cooling.
- Refrigerator air is kept at higher, near commercial grade humidity levels to keep perishable fruits and vegetables fresher longer.
- Drier freezer air means less freezer burn for better-tasting frozen foods.

PREMIUM EXTERNAL FILTERED WATER AND ICE DISPENSER

- Get great-tasting, filtered water directly from your refrigerator. Spend less time and money buying bottled water.

LED TOWER LIGHTING

- Tower Lighting evenly distributes bright light throughout the refrigerator and freezer compartments.



Ranked **“Highest in Customer Satisfaction with Refrigerators”**
by J.D. Power and Associates.

SAMSUNG

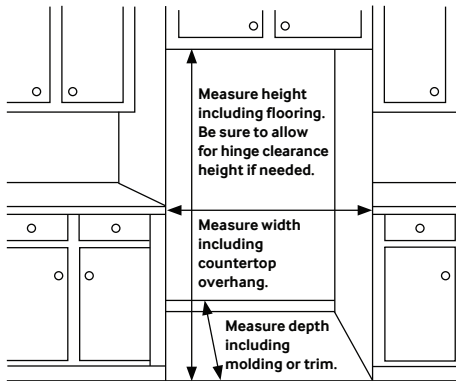
RS22HDHPNSR

22 cu. ft. Counter Depth Side-by-Side Refrigerator with In-Door Ice Maker

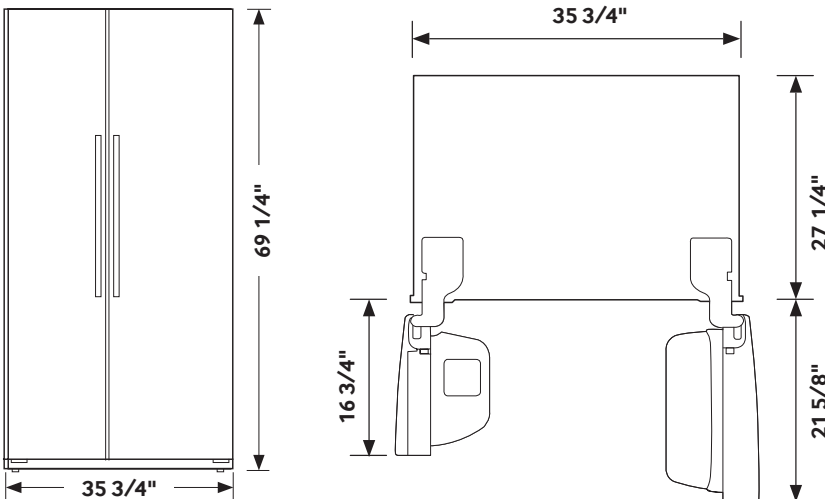
Installing Your Refrigerator

1. Measure the height, width and depth of the opening, making sure to include baseboards, molding tile, countertop overhang, etc. Check to be sure there is enough room to open the door (consider walls, islands or other obstacles when measuring).
2. Refer to illustration below to determine dimensions.
3. Allow 2" of clearance on hinge side of refrigerator when installing next to a wall where handle may make contact.
4. Allow 1" minimum clearance at rear for proper air circulation and water/electrical connections. Allow a 3/8" minimum clearance at sides and top for ease of installation.
5. Ensure each door and entry way in the home is wide enough for the refrigerator to be moved through easily.

Please note: The following dimension and cutout information is for planning purposes only. For complete installation details consult manual packed with product, or download manual on-line at samsung.com.



Dimensions



Total Capacity: 22.3 cu. ft.

Refrigerator: 14.4 cu. ft.

- 2 Humidity-Controlled Crispers
- 4 Tempered Glass Spill-Proof Shelves
- 6 Clear Door Bins
 - 1 Dairy Bin
 - 4 Regular Bins
 - 1 Foldable Wired Can Holder (Optional)
- 3 Clear Crispers
- LED Tower Lighting

Freezer: 7.9 cu. ft.

- 3 Tempered Glass Shelves
- 3 Clear Tilting Door Bins
- 2 Clear Drawers
- Automatic In-Door Ice Maker
- LED Tower Lighting

Accessories

Water Filter

Warranty

One (1) Year Parts and Labor on Refrigerator

Five (5) Years Parts and Labor on Sealed Refrigeration System Only*

Ten (10) Years Parts and Five (5) Years Labor on Digital Inverter Compressor

*Compressor, evaporator, condenser, drier, connecting tubing

Product Dimensions & Weight

Dimensions (WxHxD with hinges, handles and doors):
35 3/4" x 69 1/4" x 29 1/2"

Dimensions (WxHxD without hinges and door):
35 3/4" x 68 5/8" x 23 3/4"

Dimensions (WxHxD with hinge and door, no handle):
35 3/4" x 69 1/4" x 27 1/4"

Weight: 286.6 lbs.

Shipping Dimensions & Weight (WxHxD)

Dimensions: 38 5/16" x 75 1/8" x 30 5/9"

Weight: 313.06 lbs.

Color	Model #	UPC Code
Stainless Steel	RS22HDHPNSR	887276960159
White	RS22HDHPNWW	887276962207
Black	RS22HDHPNBC	887276962696

SAMSUNG

Samsung received the highest numerical score for refrigerators in the proprietary J.D. Power and Associates 2012 Kitchen Appliance Study.SM Study based on 12,615 total responses measuring 17 brands and measures opinions of consumers about their refrigerator obtained new in the past 24 months. Proprietary study results are based on experiences and perceptions of consumers surveyed in January-February 2012. Your experiences may vary. Visit jdpower.com.

Actual color may vary. Design, specifications, and color availability are subject to change without notice. Non-metric weights and measurements are approximate.

©2013 Samsung Electronics America, Inc. 85 Challenger Road, Ridgefield Park, NJ 07660. Tel: 800-SAMSUNG. samsung.com. Samsung is a registered trademark of Samsung Electronics Co. Ltd.