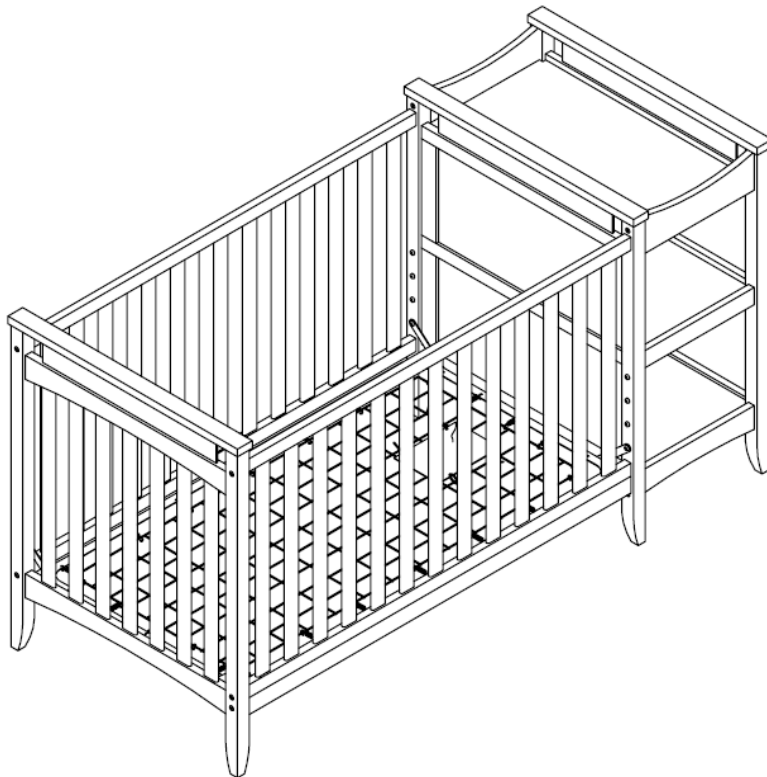


# DOREL ASIA

---



## CRIB CHANGER COMBO 2 IN 1 CRIB



**Model No:**  
DA6790 (GREY)

**UPC CODE:**  
0-65857-16721-4

**NOTE:**  
THIS INSTRUCTION BOOKLET  
CONTAINS **IMPORTANT** SAFETY  
INFORMATION. PLEASE READ AND  
KEEP FOR FUTURE REFERENCE.

**Lot number:**  
(TAKEN FROM CARTON)

---

**Date of purchase:**

\_\_\_\_\_ / \_\_\_\_\_ / \_\_\_\_\_

DO NOT RETURN PRODUCT TO THE STORE.  
If a part is missing or damaged, contact our customer service  
department. We will replace the part **FREE** of charge.



Tel #: 1-800-295-1980  
E-Mail: das@dorel.com  
Fax #: 514-353-7819

## CUSTOMER SERVICE

If you are missing parts or have any questions about this product, contact our customer service representative first!

**CALL 1-800-295-1980**

You can also order parts by writing to the address listed below. Please include the product model number, color and a detailed description of the part.

**Customer Service Department No. 413  
12345 Albert-Hudon Boulevard, Suite 100  
Montreal, Quebec  
Canada, H1G 3L1**

**E-MAIL: [das@dorel.com](mailto:das@dorel.com)**

## Convertible Crib

# WARNING

- \* Failure to follow these warnings and assembly instructions could result in serious injury or death.
- \* Read all instructions before assembling crib. **KEEP INSTRUCTIONS FOR FUTURE USE.**
- \* Check this product for damaged hardware, loose joints, loose bolts or other fasteners, missing parts or sharp edges before assembly and frequently during use. Securely tighten loose bolts and other fasteners. **DO NOT** use crib if any parts are missing, damaged or broken. Contact a customer service representative at 1-800-295-1980 for replacement parts and instructional literature if needed. **DO NOT** substitute parts.
- \* Infants can suffocate on soft bedding. Never add a pillow or comforter. Never place additional padding under an infant.
- \* Stop using the crib when child begins to climb out or reaches the height of 35 inches (89 cm).
- \* To reduce the risk of SIDS, pediatricians recommend healthy infants be placed on their backs to sleep, unless otherwise advised by your physician.
- \* **DO NOT** place crib near window where cords from blinds or drapes may strangle a child.
- \* Strings can cause strangulation! **DO NOT** place items with a string around a child's neck, such as hood strings or pacifier cords. **DO NOT** suspend strings over a crib or attach strings to toys.
- \* To help prevent strangulation tighten all fasteners. A child can trap parts of the body or clothing on loose fasteners.
- \* If refinishing, use a non-toxic finish specified for children's products.
- \* When child is able to pull to standing position, set mattress to lowest position and remove bumper pads, large toys and other objects that could serve as steps for climbing out.
- \* Never use plastic shipping bags or other plastic film as mattress covers because they can cause suffocation.
- \* Replace teething rail if damaged or loose (if teething rail is provided for this model).
- \* **CAUTION: ANY MATTRESS USED IN THIS CRIB MUST BE AT LEAST 27-1/4 INCHES BY 51-5/8 INCHES (69CM BY 131CM) WITH A THICKNESS NOT EXCEEDING 6 INCHES (15CM).**
- \* Infants can suffocate in gaps between crib sides and a mattress that is too small.
- \* Follow warnings on all products in a crib.
  
- \* **INFANTS HAVE DIED IN TODDLER BEDS FROM ENTRAPMENT.** Openings in and between bed parts can entrap head and neck of a small child.
- \* **NEVER** use bed with children under 15 months or over 50 lbs.
- \* **ALWAYS** follow assembly instructions.
- \* **STRANGUALTION HAZARD.** **NEVER** place bed near windows where cords from blinds or drapes may strangle a child.
- \* **NEVER** suspend strings over a bed.
- \* **NEVER** place items with a string, cord, or ribbon around a child's neck, such as hood strings or pacifier cords. These items can catch on bed parts.
- \* **CAUTION**  
**ENTRAPMENT HAZARD.** To avoid dangerous gaps, any mattress used on this bed shall be a full-size crib mattress at least 51-5/8 inches (1310 mm) in length, 27-1/4 inches (690 mm) in width, and a max thickness of 6 inches (150 mm).

## Changing Table

# **WARNING**

- \* FALL HAZARD - To prevent death or serious injury, always keep child within arm's reach.
- \* Avoid serious injury. Never leave child unattended.
- \* Read all instructions before use of the changing table. **KEEP INSTRUCTIONS FOR FUTURE USE.**
- \* **DO NOT** use the changing table if it is damaged or broken.
- \* The changing table is to be used with a changing pad measuring 16 inches X 32 inches and not exceeding 2 inches in thickness (excluding the height of any contoured edges).
- \* When used as a changing table, this unit must be used with a changing pad (not provided) equipped with safety straps that secure the child to the changing pad as well as straps that secure the pad to the changing table.
- \* Always secure the child to the changing pad using safety straps attached to changing pad.
- \* The maximum recommended weight of the child is 30 lbs (13.60 kgs).

## **NOTES**

- \* Ensure all parts and components are present before beginning assembly.
- \* Assemble on a soft, smooth surface to prevent damage to product finish.
- \* **DO NOT** use power tools.
- \* **CAUTION:** Adult assembly required.
- \* Assembly will require two people.
- \* Estimated assembly time: 60 minutes.

### **CARE AND CLEANING**

Dust regularly with a soft, lint-free cloth to prevent soil build-up. A damp cloth may be used occasionally to clean surface. Dry immediately. Do not use any abrasives that may damage finish. Excessive exposure to sunlight and extreme changes in temperature and moisture can damage wood furniture.

### **MAINTENANCE**

Check bolts/screws periodically and tighten them if necessary.

### **LIMITED WARRANTY**

Dorel Asia warrants its product to be free from defects in material and workmanship and agrees to remedy any such defect. This warranty covers 1 year from the date of original purchase. This warranty is valid only upon presentation of proof of purchase. This is solely limited to the repair or replacement of defective furniture components and no assembly labor is included. This warranty does not apply to any product which has been improperly assembled, subjected to misuse or abuse or which has been altered or repaired in any way. This warranty gives you specific legal rights and you may also have other rights which vary from State to State.

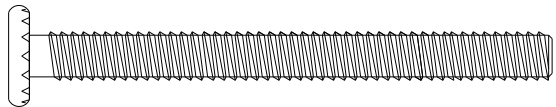
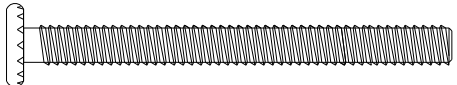
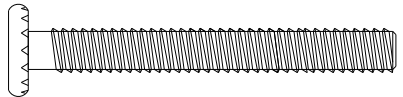

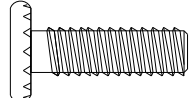
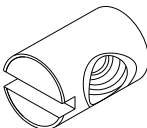



**WARNING: Should this product become damaged, and/or components are broken or missing, DO NOT USE.**

# CRIB CHANGER COMBO

## DA6790

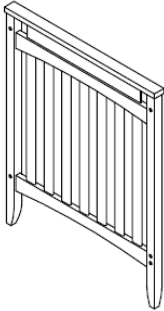
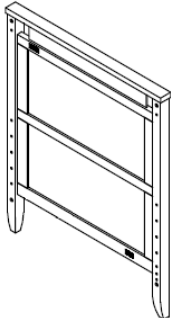
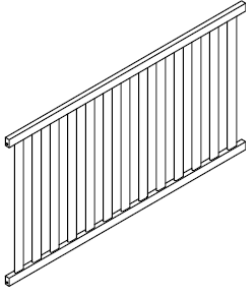
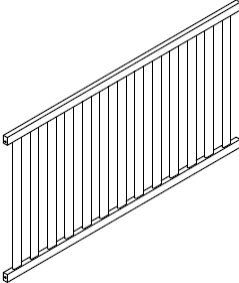
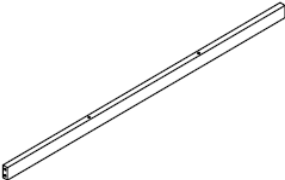
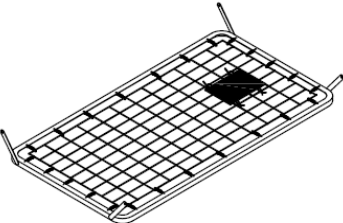
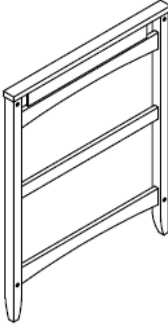



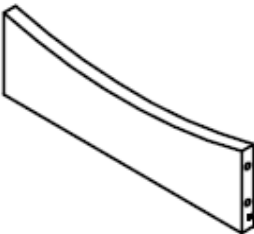
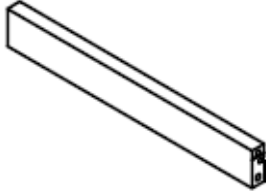
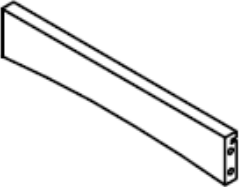
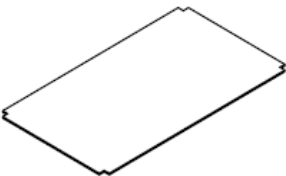
### HARDWARE LIST

<p>1</p>  <p>Ø1/4" X 13mm X 75mm</p>	<p>2</p>  <p>Ø1/4" X 13mm X 60mm</p>
<p>BOLT 8 PCS</p>	<p>BOLT 2 PCS</p>
<p>3</p>  <p>Ø1/4" X 13mm X 55mm</p>	<p>4</p>  <p>Ø8mm X 30mm</p>
<p>BOLT 10 PCS</p>	<p>WOOD DOWEL 14 PCS</p>
<p>5</p>  <p>Ø1/4" X 13mm X 15mm</p>	<p>6</p>  <p>Ø1/4" X 13mm X Ø10mm</p>
<p>MATTRESS SUPPORT BOLT 16 PCS</p>	<p>BARREL NUT 8 PCS</p>
<p>7</p> 	
<p>ALLEN KEY 1 PC</p>	

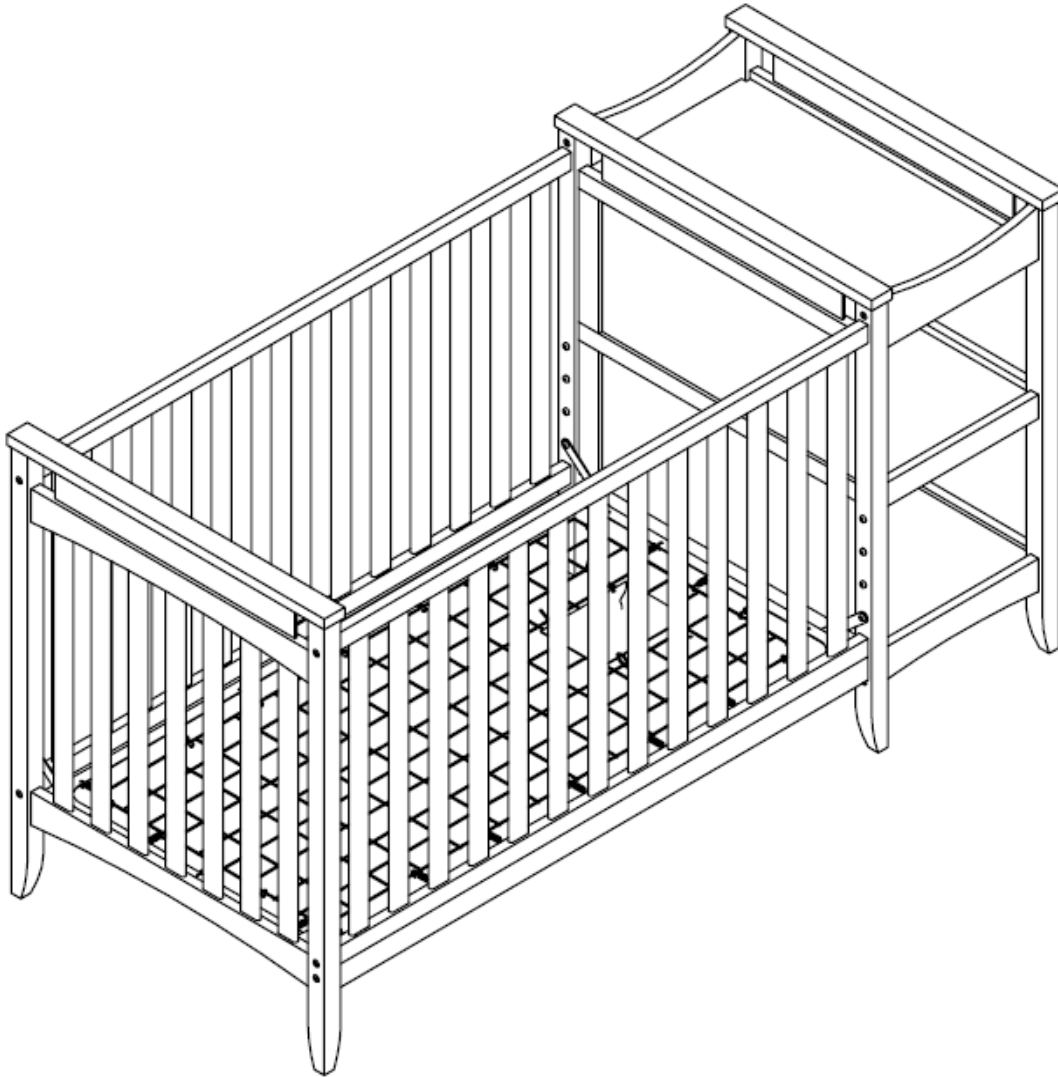
# CRIB CHANGER COMBO

## DA6790

### PARTS LIST

<b>A</b> 	<b>B</b> 	<b>C</b> 	<b>D</b> 
LEFT SIDE PANEL 1 PC	RIGHT SIDE PANEL 1 PC	BACK PANEL 1 PC	FRONT PANEL 1 PC
<b>E</b> 	<b>F</b> 	<b>G</b> 	<b>H</b> 
FRONT RAIL 1 PC	MATTRESS SUPPORT 1 PC	RIGHT SIDE FRAME 1 PC	TOP BACK RAIL 1 PC
<b>I</b> 	<b>J</b> 	<b>K</b> 	<b>L</b> 
MIDDLE BACK RAIL 1 PC	BOTTOM BACK RAIL 1 PC	TOP FRONT RAIL 1 PC	MIDDLE FRONT RAIL 1 PC
<b>M</b> 	<b>N</b> 		
BOTTOM FRONT RAIL 1 PC	CHANGER'S PANEL 3 PCS		

# CRIB CHANGER COMBO DA6790



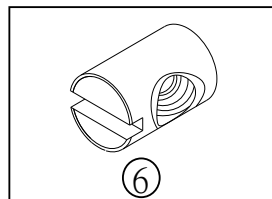
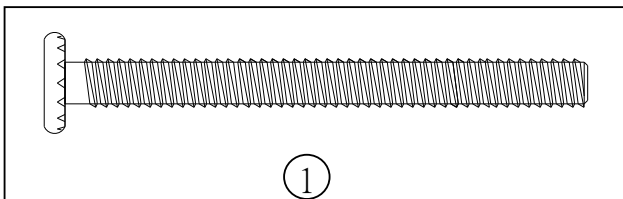
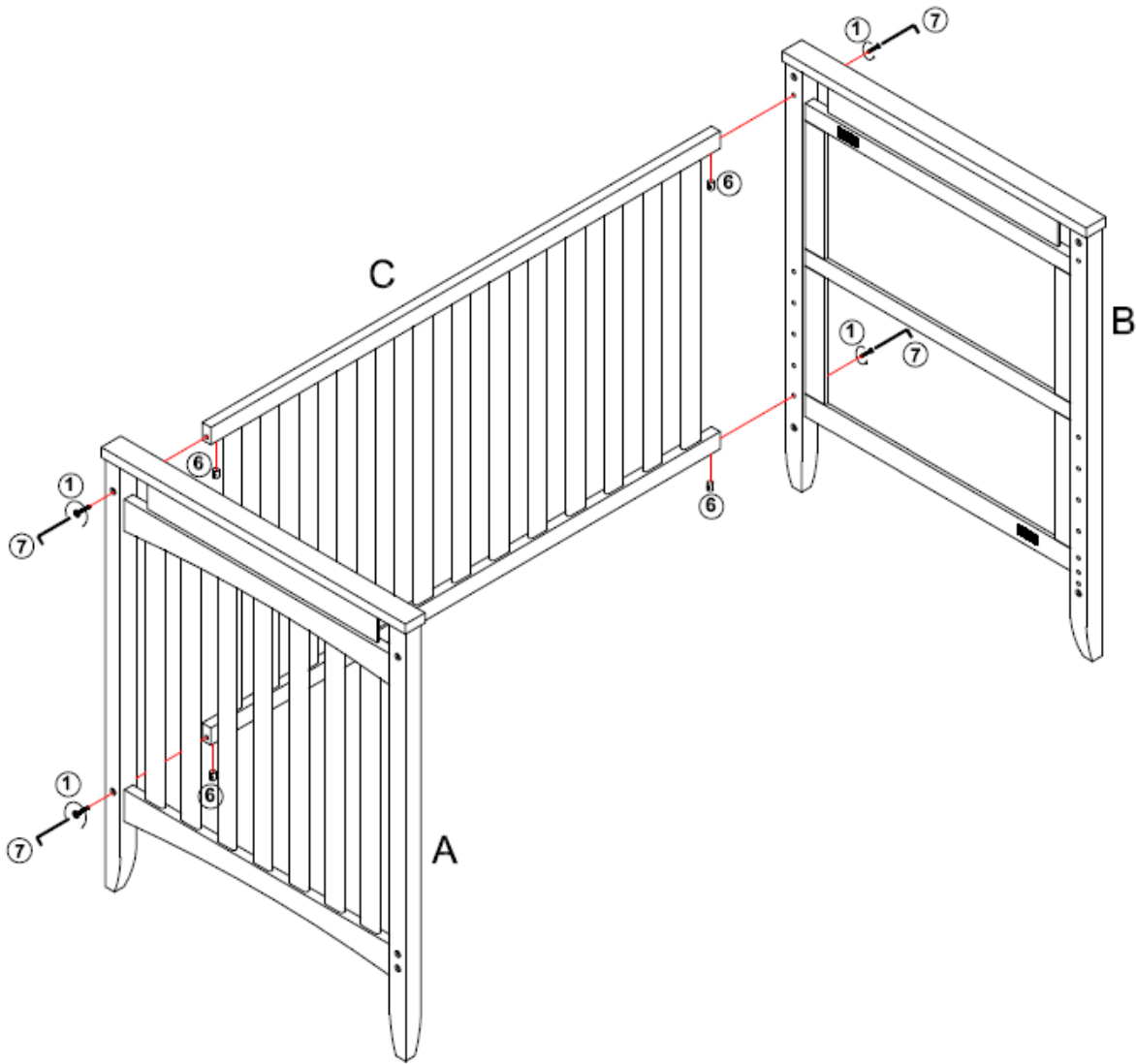
## CRIB ASSEMBLY INSTRUCTION

NOTE: When inserting bolts, turn clockwise until tight. Then loosen 1/2 - 3/4 of a turn. After crib is completely assembled, return to each bolt and tighten. Use wax or soap on all bolts to facilitate assembly.

# CRIB CHANGER COMBO DA6790

## STEP 1

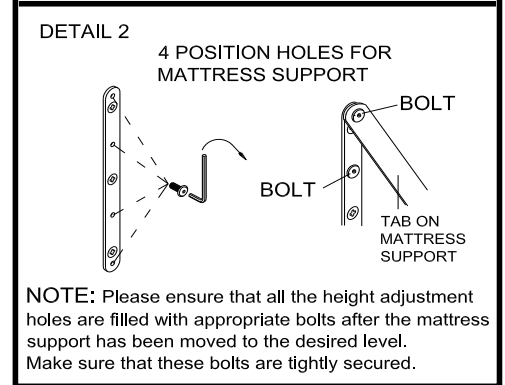
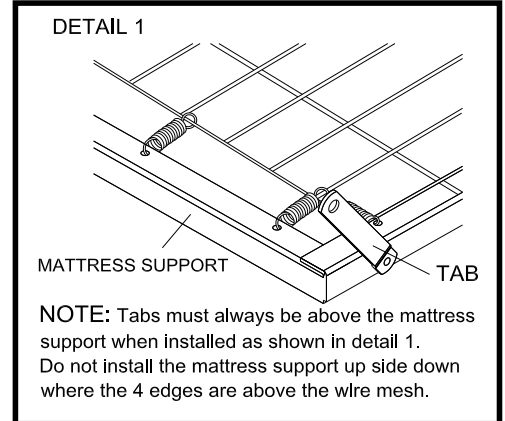
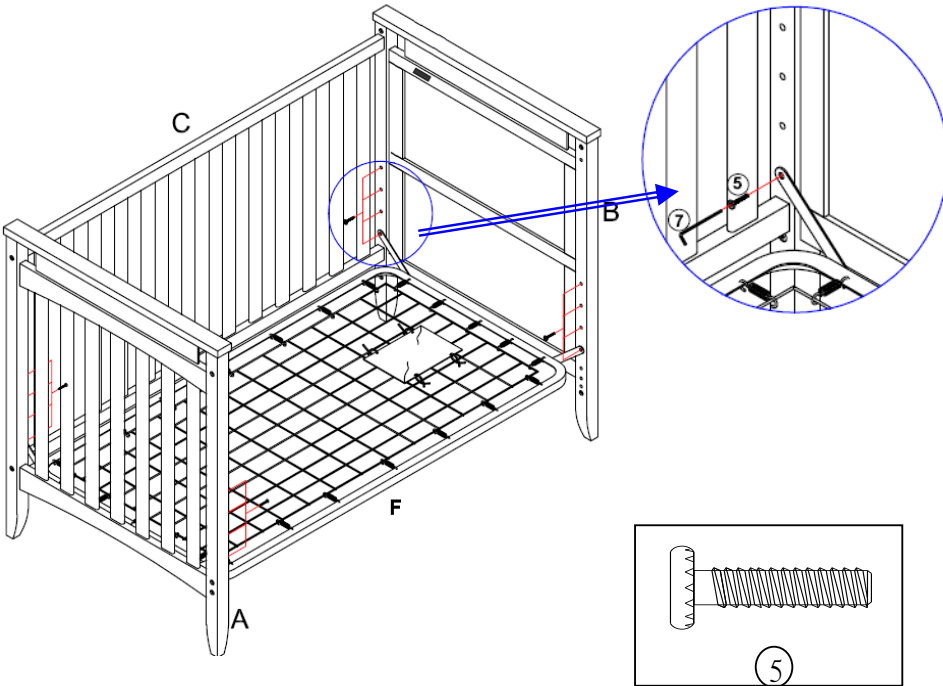
Insert barrel nuts (6) into back panel (C) as shown.  
Attach left side panel (A) and right side panel (B) to back panel (C) with bolts (1).  
Use Allen Key (7) to tighten all bolts (1).



# CRIB CHANGER COMBO DA6790

## STEP 2

Attach mattress support (F) to the posts with mattress support bolts (5).  
Use Allen Key (7) to tighten the mattress support bolts (5).



**✗ INCORRECT-**  
Raised edge should face down - this photo shows mattress support is



**✗ INCORRECT-**  
Tabs on corners of mattress support should point up.



**✓ CORRECT**  
\* Tabs to point UP.  
\* Flat surface of mattress support to face up - mattress must sit on flat surface.

NOTE: The above photos and drawings showing how to properly attach the mattress support are for reference only. Crib styles and colors will vary.

# CRIB CHANGER COMBO DA6790

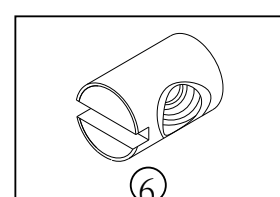
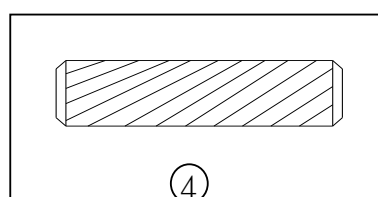
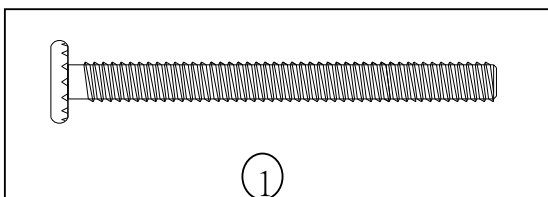
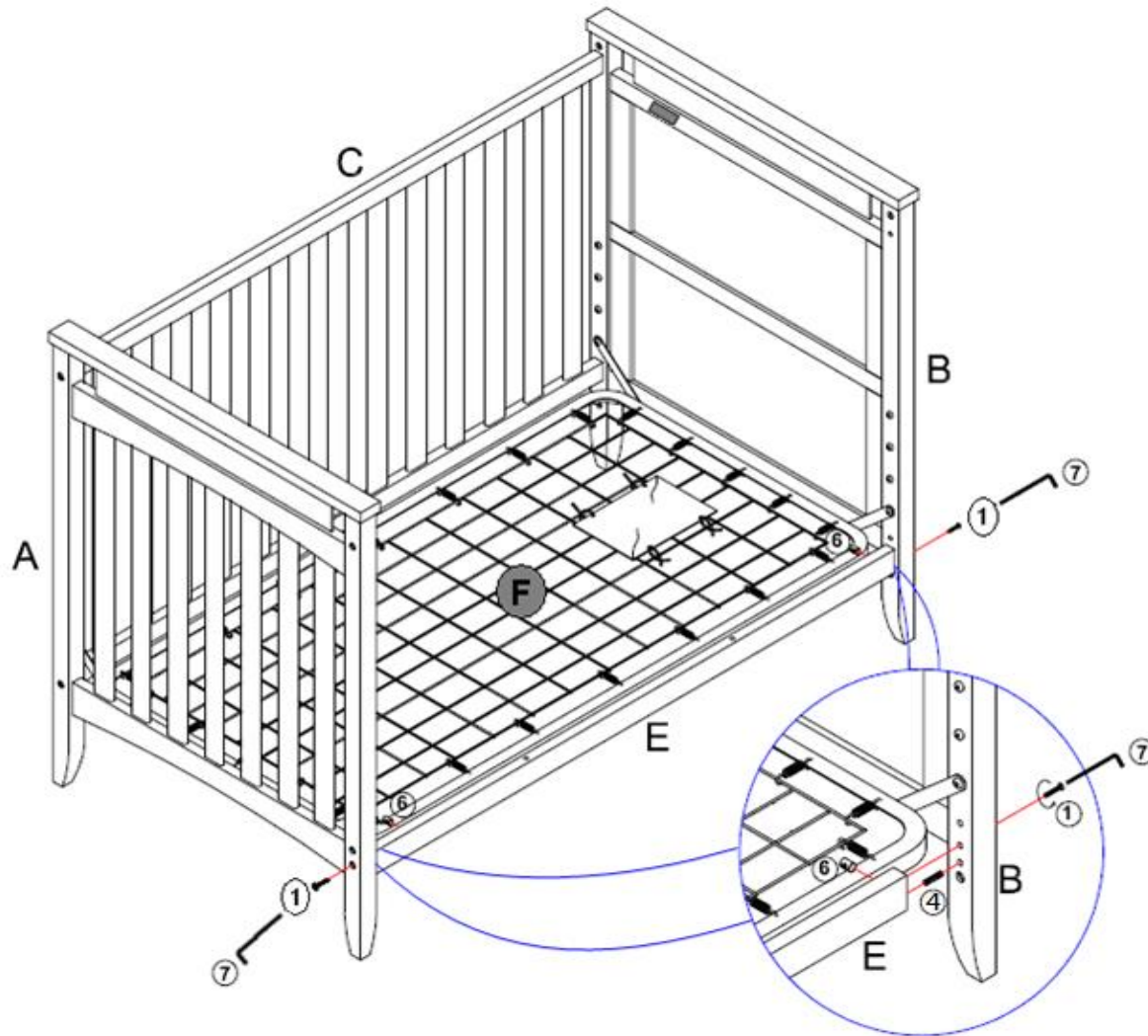
## STEP 3

Insert wood dowels (4) into left side panel (A) and right side panel (B).

insert barrel nuts (6) into front rail (E) as shown.

Attach front rail (E) to left side panel (A) and right side panel (B) with bolts (1).

Use Allen Key (7) to tighten all bolts (1).



# CRIB CHANGER COMBO DA6790

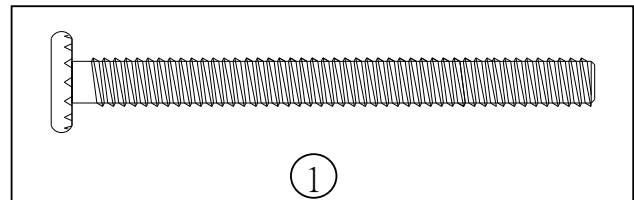
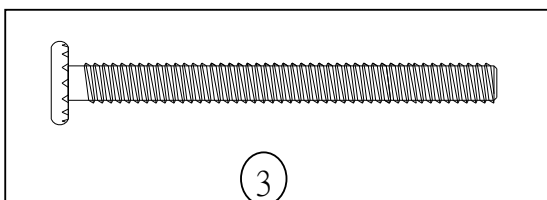
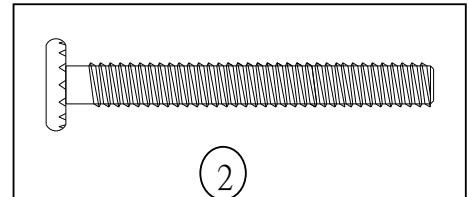
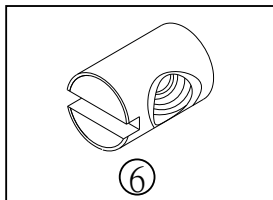
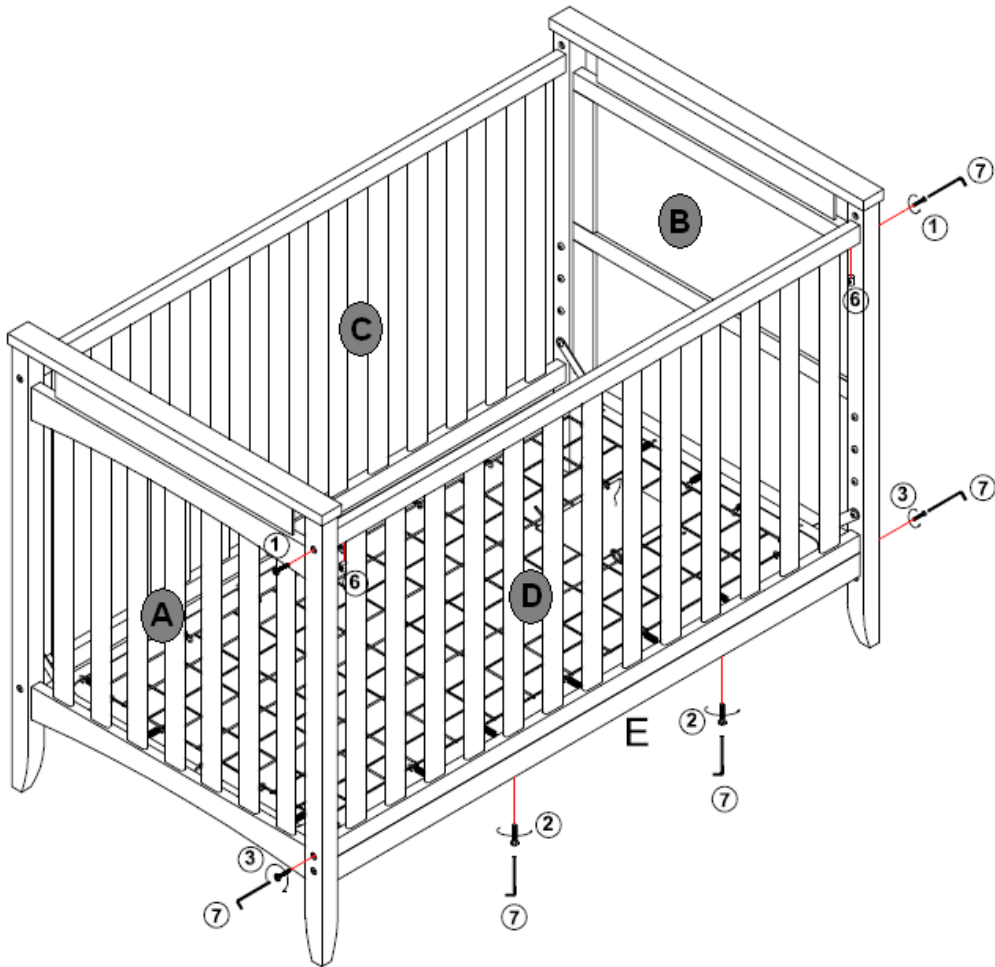
## STEP 4

Insert barrel nuts (6) into front panel (D) as shown.

Attach front panel (D) to left side panel (A) and right side panel (B) with bolts (1 and 3) as shown.

Secure front panel (D) to front rail (E) with bolts (2).

Use Allen Key (7) to tighten all bolts (1, 2 & 3).



# CRIB CHANGER COMBO DA6790

## STEP 5

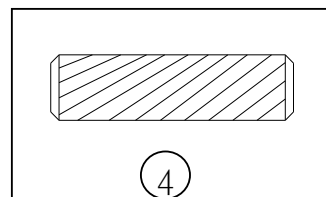
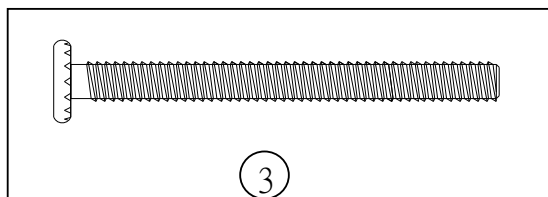
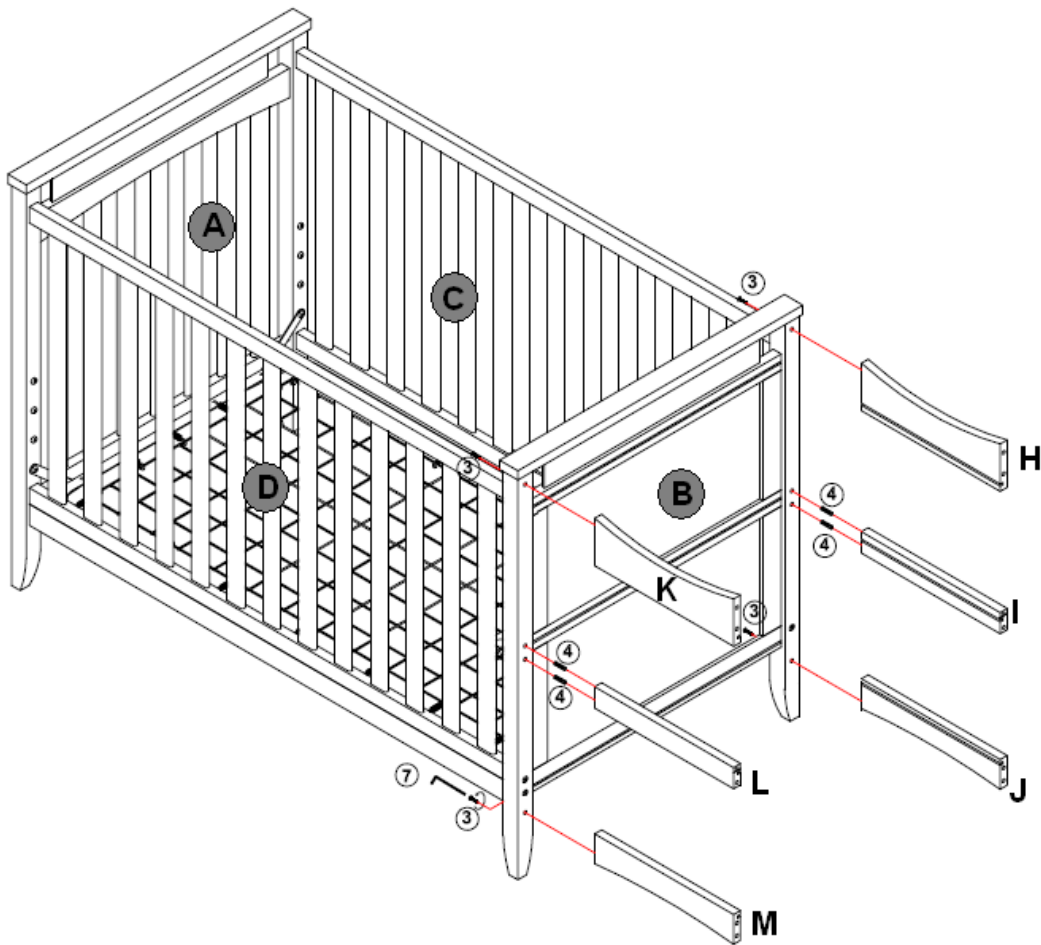
Attach top back rail (H) and top front rail (K) to right side panel (B) with bolts (3).

Insert wood dowels (4) into middle back rail (I) and middle front rail (L) and attach them to right side panel (B).

Insert wood dowel (4) into bottom back rail (J). Secure bottom back rail (J) to right side frame (B) using bolts (3).

Attach bottom front rail (M) to right side panel (B) with bolt (3).

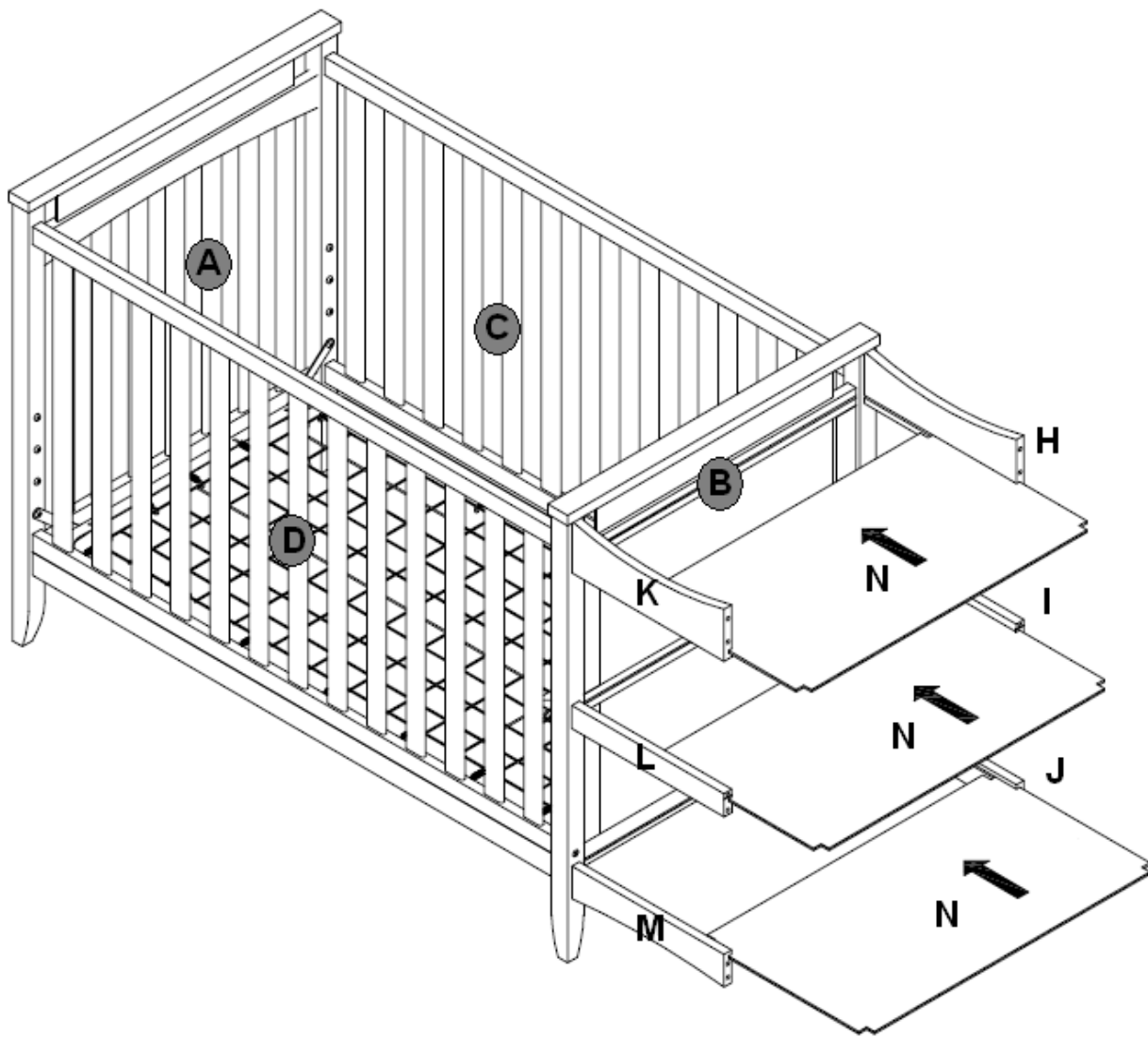
Use Allen Key (7) to tighten all bolts (3).



# CRIB CHANGER COMBO DA6790

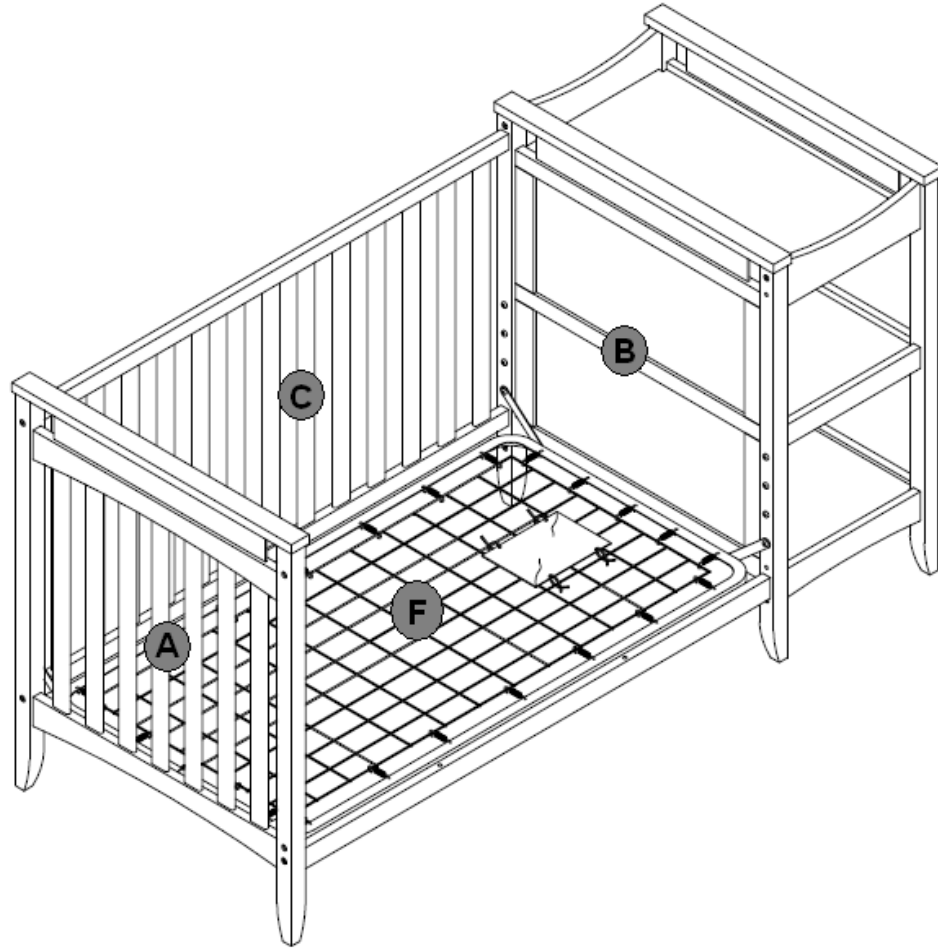
## STEP 6

Slide changer panels (N) into the grooves of rails as shown below.  
Make sure changer panels (N) rest inside the grooves of right side panel (B).





# CRIB CHANGER COMBO DA6790




## WARNINGS:

- \* **CAUTION-** ANY MATTRESS USED IN THIS CRIB MUST BE AT LEAST 27-1/4 INCHES BY 51-5/8 INCHES (69CM BY 131CM) WITH A THICKNESS NOT EXCEEDING 6 INCHES (15CM)
- \* The day bed is not intended for children under 15 months of age or over 50 lbs (22.7 kgs).

## DAY BED ASSEMBLY INSTRUCTION: STARTING FROM CRIB

- STEP 1:** Follow steps backward from 7 to 5 to remove changer with Allen Key (7).
- STEP 2:** Unscrew the bolts (2) underneath the crib front rail (E) with Allen Key (7).
- STEP 3:** Detach the front panel (D) from left/right side panel (A & B) with Allen Key (7).
- STEP 3:** If mattress support (F) is not in the lowest position, unscrew bolts (5) from left/right panel (A & B) and move to the lowest position.
- STEP 4:** Ensure all bolts are tightly secured.

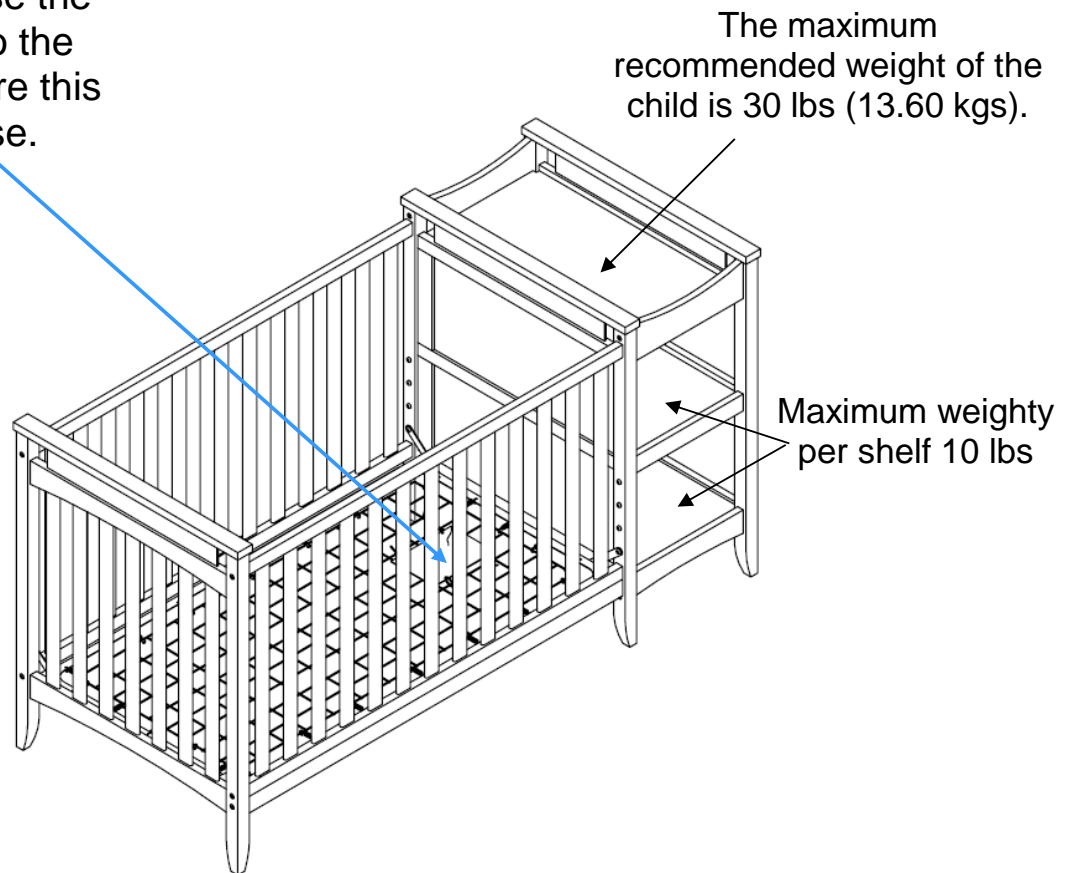
# CRIB CHANGER COMBO DA6790

 **CAUTION:** This unit is intended for use only with the products and/or maximum weights indicated. Use with other products and/or products heavier than the maximum weights indicated may result in instability or cause possible injury.

## **NOTE:**

DO NOT throw away this instruction manual. Use the crib pouch attached to the mattress support to store this manual for future use.

Stop using crib when child begins to climb out or reaches the height of 35 inches (89 cm).



That's it ! You've finished assembling your crib changer combo!

**DO NOT RETURN PRODUCT TO THE STORE.**  
If a part is missing or damaged, contact our customer service department. We will replace the part **FREE** of charge.



Tel #: 1-800-295-1980  
E-Mail: [das@dorel.com](mailto:das@dorel.com)  
Fax #: 514-353-7819

# Customer Service

**PLEASE DO NOT RETURN THIS PRODUCT TO THE STORE**

**PLEASE CONTACT CUSTOMER SERVICE REPRESENTATIVES AT THE FOLLOWING NUMBERS SHOULD THERE BE ANY MISSING OR DEFECTIVE PART(S).**

Customer Service Phone Number 1-800-295-1980	Email: <a href="mailto:das@dorel.com">das@dorel.com</a>
Customer Service Fax Number 514-353-7819	

Request Date:

Name:

Shipping Address:

Street & Number:

City & State:

Zip Code:

Day Time Phone Number:

(including area code)

Date & Place of Purchase:

Part(s) description and quantity: (Please be sure to list model number or SKN number)

Customer Service Representative Mailing Address:

Customer Service Department No. 413, 12345 Albert-Hudon Boulevard, Suite 100, Montreal, QC, Canada, H1G 3L1