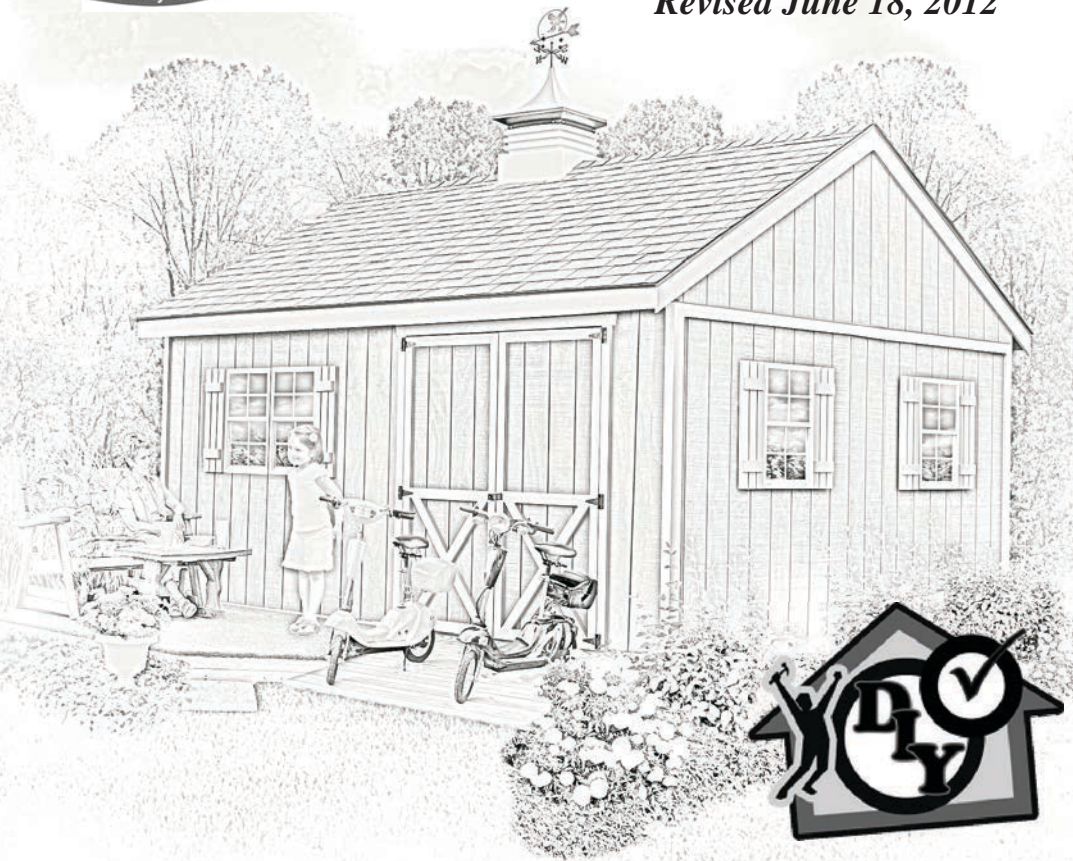




Best Barns USA Assembly Book

Revised June 18, 2012



New Castle Deluxe Building Size 12'x16'

Manufactured by Reynolds Building Systems, Inc.

205 Arlington Drive

Greenville, PA 16125

724-646-3775

This manual is copyrighted. Under the copyright laws, this manual may not be copied, in whole or in part, without consent from Reynolds Building Systems, Inc. © Copyright 2011

IMPORTANT INFORMATION ABOUT YOUR SHED KIT

Thank you for purchasing our New Castle kit. These instructions will construct a 12'x16' building. **If you received two books, use the one with the latest revision date.**

The material that is included in our kit is listed on the back page. The optional floor package, if purchased, will be supplied by a local lumber supplier.

The foundation size should measure 12'-0" wide by 15'-9". **Do Not** make the foundation larger than the building size. The siding should project beyond the foundation for water to expel properly from the sidewalls.

Our kit does not include the shingles, the quantity needed is listed on the back page. The siding is primed. You will need to apply a finish coat using latex acrylic paint.

Our framing lumber is imported to provide you the highest quality available. However, if you need to replace any lumber for any reason please do so and we will reimburse you.

The barn doors have been pre-built and the siding and roof sheathing has been pre-cut for EZ assembly.

IMPORTANT: Unpack the material from the pallet, then unscrew the bottom 2x4s from the pallet runners. The bit for the screws is packed in the hardware bag.

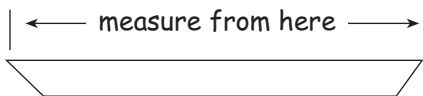
Stacking the boards, according to size, will make them easier to find when needed. Some boards have colored ends. All the wall studs have black ends, stack these boards together. **Do Not** discard any material until your building is complete.

If you have any questions about assembling the kit, call 800-245-1577. If you are calling after normal business hours, call 724-866-HELP (4357) or email to help@barnkits.com.

Before you begin construction, be sure to study this assembly manual. Also, obtain a building permit and check all pertinent building code regulations.

Thank you for your purchase.

Bill & Linda Rinella, owners



When measurements are given for a board length or width, it is from the longest side.

Tool List

- | | |
|---|--|
| <input type="checkbox"/> Hammer & Hand Saw | <input type="checkbox"/> Power Drill/screwdriver |
| <input type="checkbox"/> Framing Square & Level | <input type="checkbox"/> Measuring Tape |
| <input type="checkbox"/> Power Circular Saw | <input type="checkbox"/> 2-8' Step Ladders |

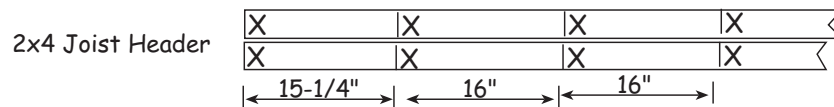
Always wear safety glasses when cutting or nailing!

Constructing Details for Deluxe Floor System

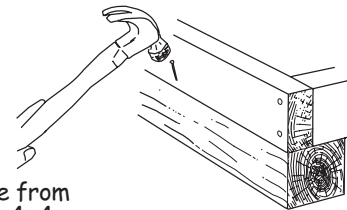
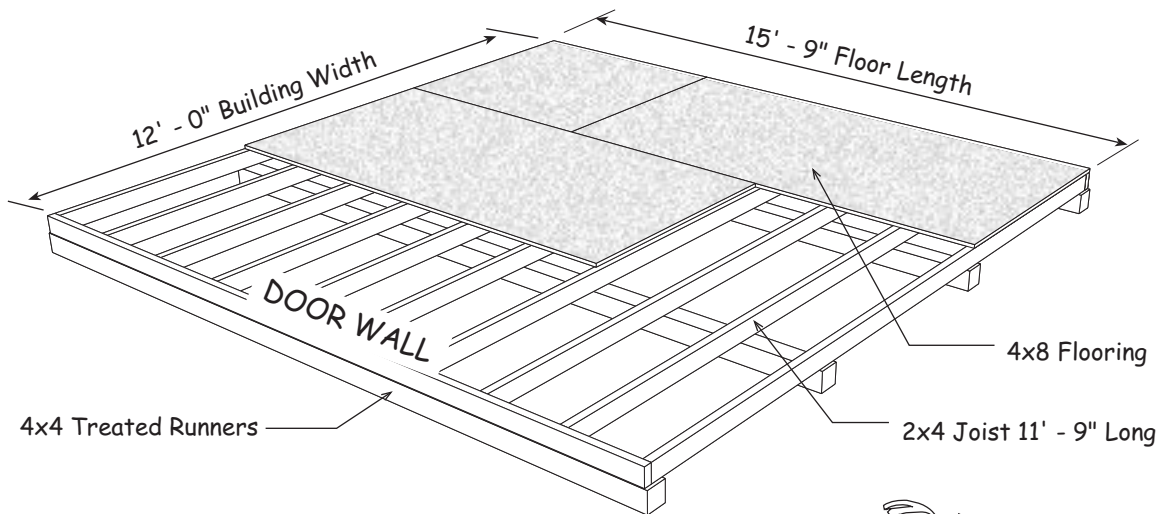
Deluxe floors include 4x4 runners, standard floors do not

Check local building codes in your area, the construction may have to change. For a concrete slab, install sill sealer as a moisture barrier between the concrete and the wall plates. Foam sill sealer can be purchased at home centers in rolls 3-1/2" or wider.

1. Cut (2) two 2x4-16' joist headers to a length of 15' - 9". Layout for 16" on center spacing. 'X' marks where floor joist will be placed.



2. Cut 2x4-12' floor joist to 11'-9". Treated lumber may be thicker than 1-1/2". Take this into account when cutting the length of floor joists. Shorten joist measurements if necessary to obtain 12'-0" building width.



To keep 2x4 frame from moving, toe nail to 4x4.

Material Description	12' x 16' shed
2x4 Joist Headers	2 pcs. 16'
2x4 Floor Joist	13 pcs. 12'
4x4 Treated Runners	8 pcs. 8'
Flooring 5/8" or 3/4"	6 pcs. 4x8
Screw Floor Nails	2 lbs. 8d
Galv. Box Nails	2 lbs. 16d

It is important that the floor be level and square. Before nailing the flooring, measure the floor diagonally (corner to corner). Then measure the opposite corners. These measurements will be the same if the floor is square.

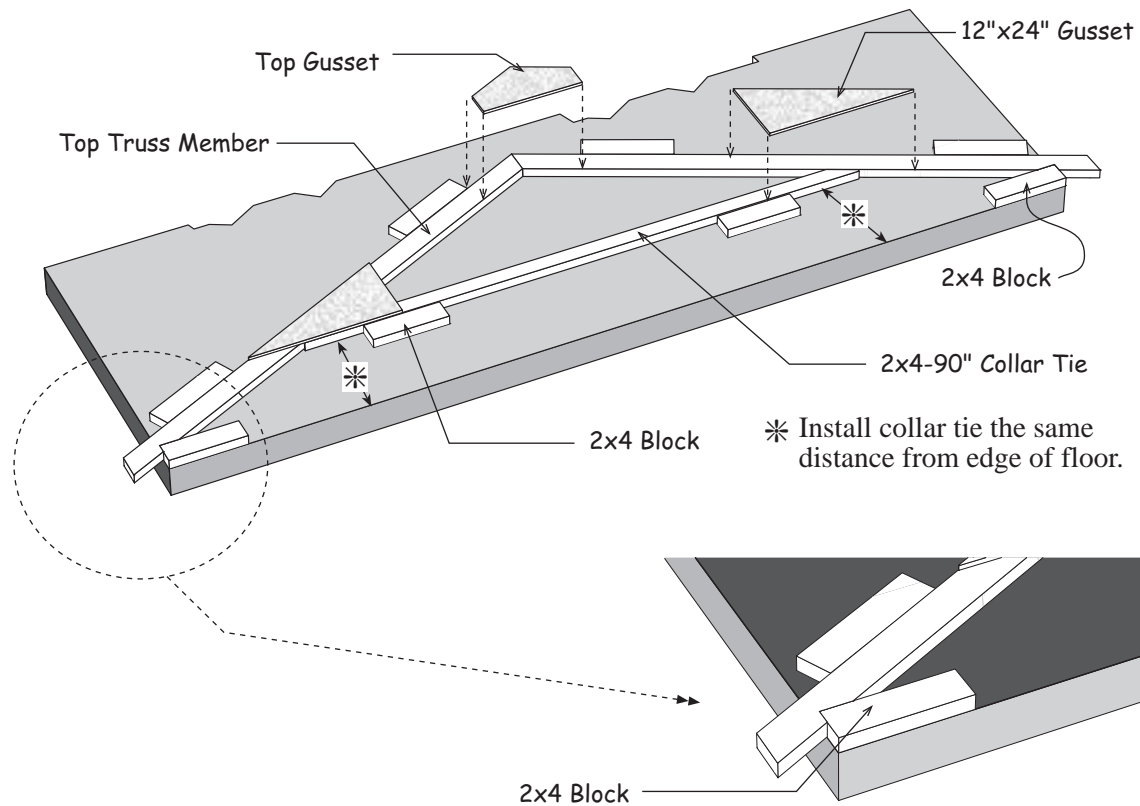
Step 1 Assemble Trusses



Building Tip: To aid in the assembly of the trusses, temporarily screw 2x4 blocks to the floor. There are short 2x4s, *that may have an angle on one end*, supplied in kit. This will insure that all the trusses are assembled the same.

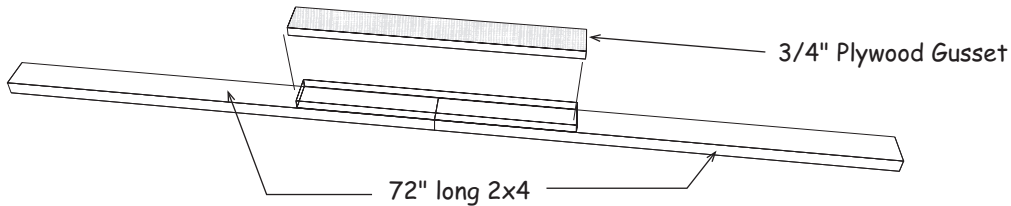
1. Screw (2) two 2x4 blocks to the 12' wide end of the floor at the corner, *see below*.
2. Place two truss legs together. Position the notch in the 2x4s (called a bird's mouth) into the 2x4 blocks. **Important:** You must have 12'-0" between the bird's mouth. Affix more 2x4 blocks above the truss legs to hold the truss members in place.
3. Secure the tops together with a wood gusset. Apply wood glue between the 2x4 boards and the gusset. Nail the gusset to the 2x4s with 6d common nails. Use 14 nails per gusset.
4. Install a 2x4-90° collar tie between the 2x4 boards. Hold in place with 2x4 blocks. Install 12"x24" gussets to the ends of the collar tie. Glue and nail using 14 nails per gusset.
5. Turn this truss over and apply wood gussets to the opposite side.
6. Repeat 2 through 5 to assemble (6) six more trusses.

Do Not remove blocks from floor until completing **Step 2**.

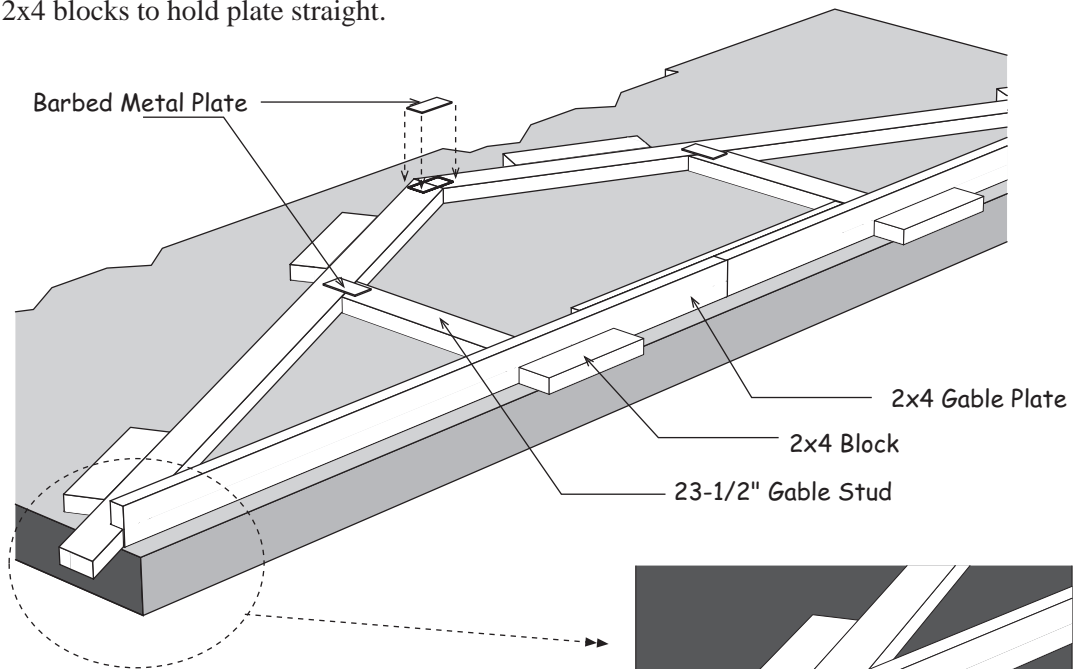


Step 2 Assemble Roof Gables

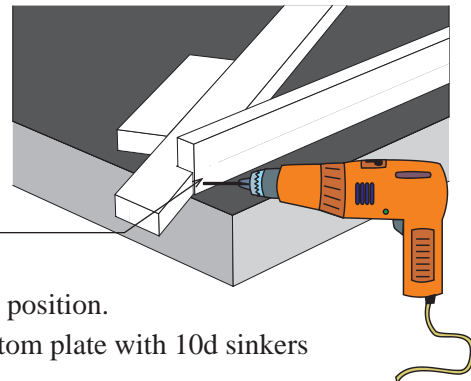
1. Butt (2) two 72" long 2x4s together and secure by nailing a 3-1/2" x 31-3/4" long plywood gusset across the top where they butt together. Use glue and 6d common nails.



2. Place (2) two truss members in the jig. Secure the top together with a barbed metal plate.
3. Remove the 2x4 blocks at the corners of the floor and insert the gable plate assembled above into the bird's mouth. Make sure the 2x4 gable plate is straight. If necessary, tack 2x4 blocks to hold plate straight.



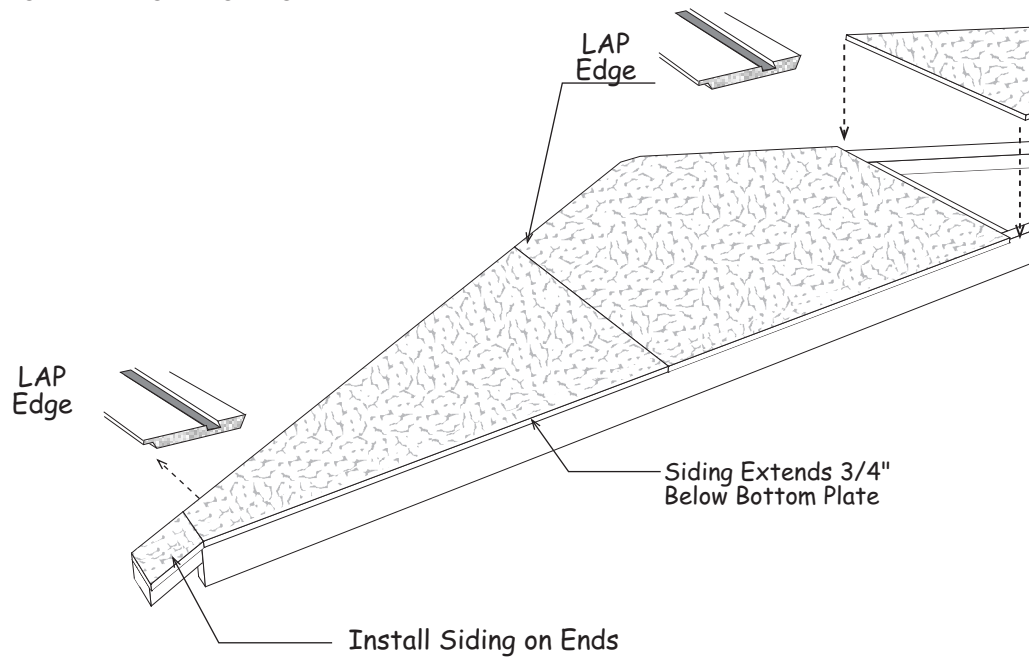
Screw gable plate to truss leg with 2-1/2" screw.



4. Remove the two 2x4 blocks that held the collar tie in position.
5. Install 2x4x23-1/2" gable studs. Nail through the bottom plate with 10d sinkers and secure the top with barbed metal drive-on plates.
7. Repeat to assemble another gable. Remove 2x4 blocks.

Step 3 Install Siding on Gables

1. Select one of the gable frames, Turn the gable over letting the bottom plate overhang the floor so the gable lays flat.
2. Install gable siding using 6d galv. nails.

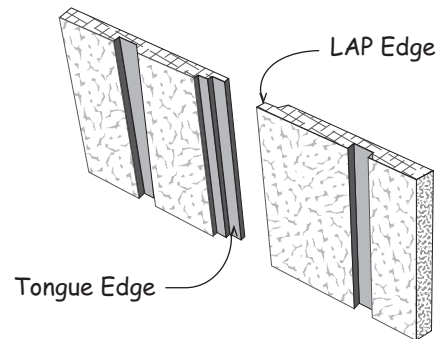


3. Install siding on the other gable frame.

Exterior Siding

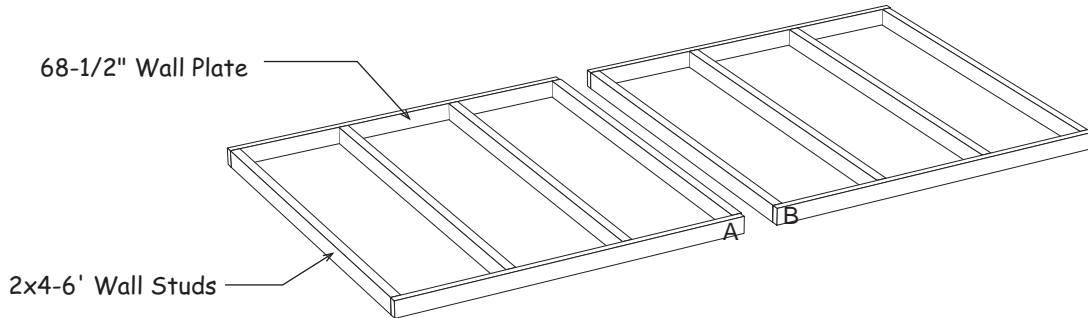
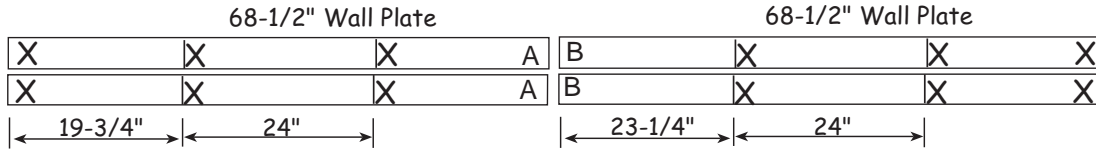
The siding is made in 4x8 sheets with grooves cut into the face, the long edge is beveled so that the siding overlays where they butt.

To identify which edge we want you to use, we will refer to the edge as either the 'LAP' Edge or the Tongue Edge. Nail siding with 8d galv. nails, spaced 12" apart.




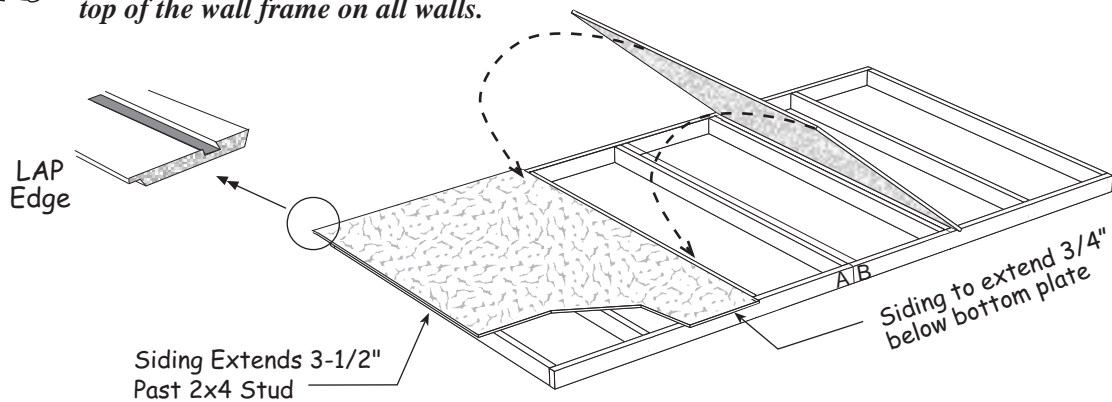
Step 4 Assemble 12' Side Walls

1. Position 2x4-68-1/2" boards together and indicate with 'X' marks, where the wall studs will be located. Mark the ends that will butt together with the letters 'A' and 'B'.



2. Install 72" wall studs between the top and bottom plates. Assemble wall frames with 10d sinkers, two (2) nails at each stud end. Nail both wall frames together.
3. Square wall frame. *Measure diagonally (corner to corner). The measurements will be the same when the wall is square.*
4. Install the 1st siding panel with the 'LAP' edge extending 3-1/2" past the wall frame. The bottom will extend 3/4" below the bottom plate. Tip: Use 3/4" trim board as a gauge.
5. Install the other siding panels. Cut the last panel to extend 3-1/2" beyond the wall frame.

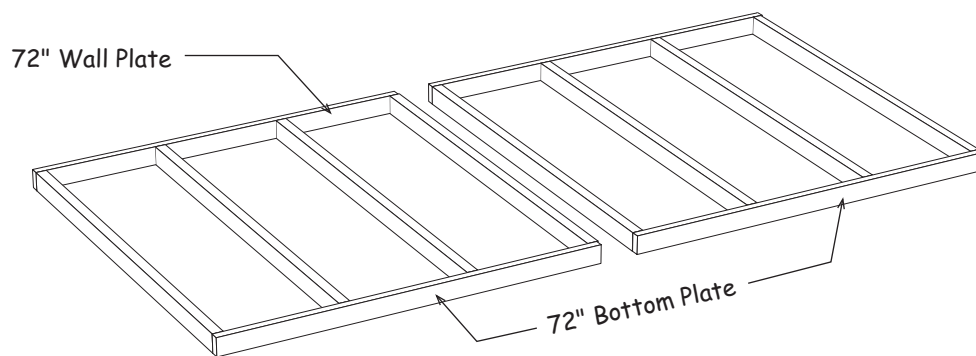
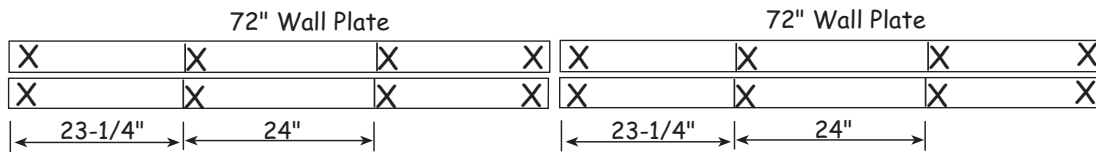
 **The siding will be 1/2" below the top of the wall frame on all walls.**



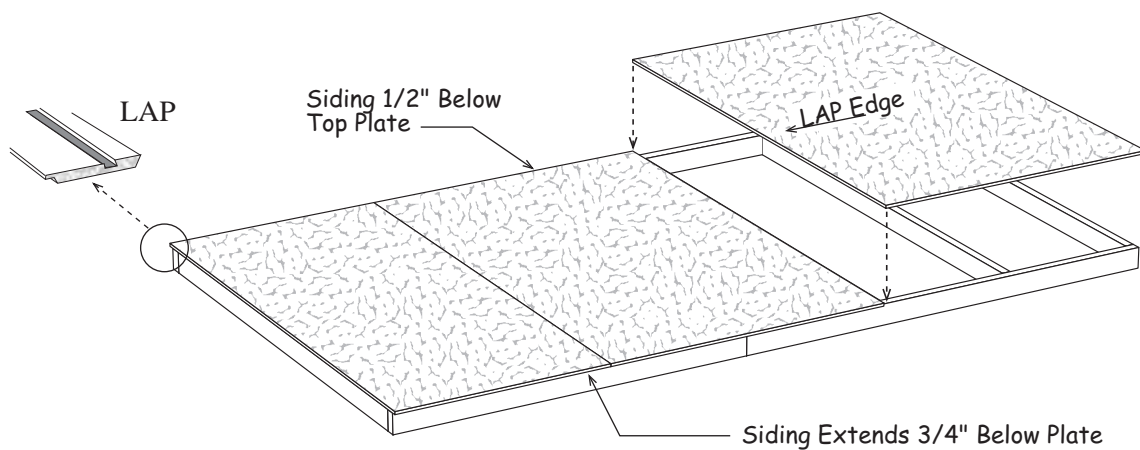
6. Repeat to assemble another sidewall.

Step 5 Assemble Back Wall

1. Position 2x4-72" boards together and indicate with 'X' marks, where the wall studs will be located.

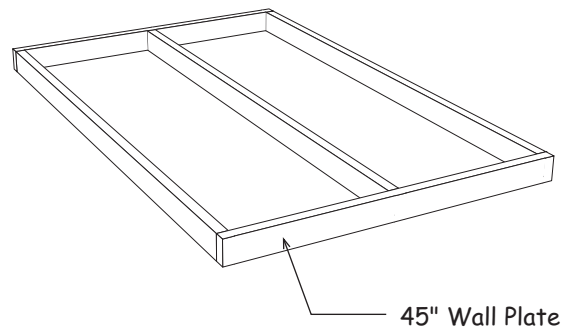


2. Install 72" wall studs between the top and bottom plates. Nail both wall frames together.
3. Square wall frame.
4. Install the first siding panel with the 'LAP edge' flush the end of the wall and extending 3/4" below the bottom plate.
5. Install (2) two more siding panels.

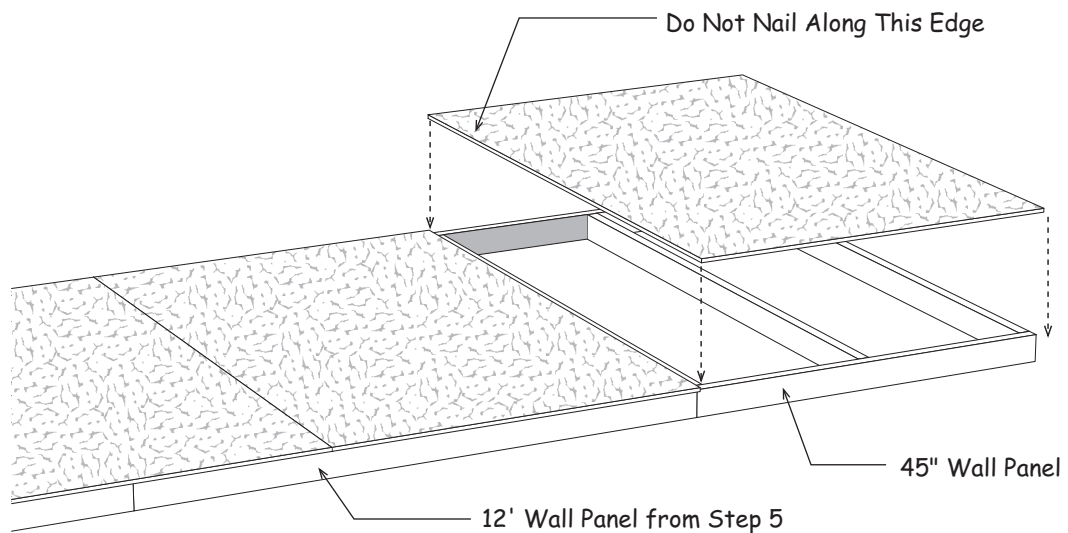


Step 6 Assemble Back Wall Continued

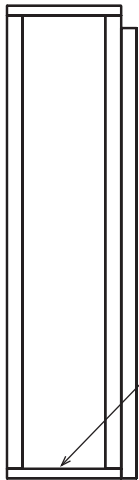
1. Locate (2) two 45" long 2x4s.
2. Install (3) three 2x4-72" wall studs between the boards.
Install the stud in the center of the wall frame.



3. Select the 12' sidewalls assembled in **Step 5**. Butt the 45" wall frame against the wall with siding. **DO NOT** nail these frames together so they can be separated later.
4. Cut the last siding panel to be flush with the end of the wall frame. Do not nail along the long edge that overlaps the 12' wall frame. You can nail this edge after the wall panels are installed. This will enable you to separate the wall panels making them easier to handle.



Step 7 Assemble Front Wall Frames



1. Cut (2) two 14-1/2" plates from (2) two 2x4-6' boards. Save the 57-1/2" long cutoffs, they will be used in **Step 12**. Assemble a wall frame using (2) two 72" wall studs and the (2) two 14-1/2" long 2x4 wall plates.
2. Install a 71-1/2" long 2x4 **[red ends]**, as a header support, on the wall frame.

71-1/2" Header Support Red Ends

2x4-14-1/2" Wall Plate

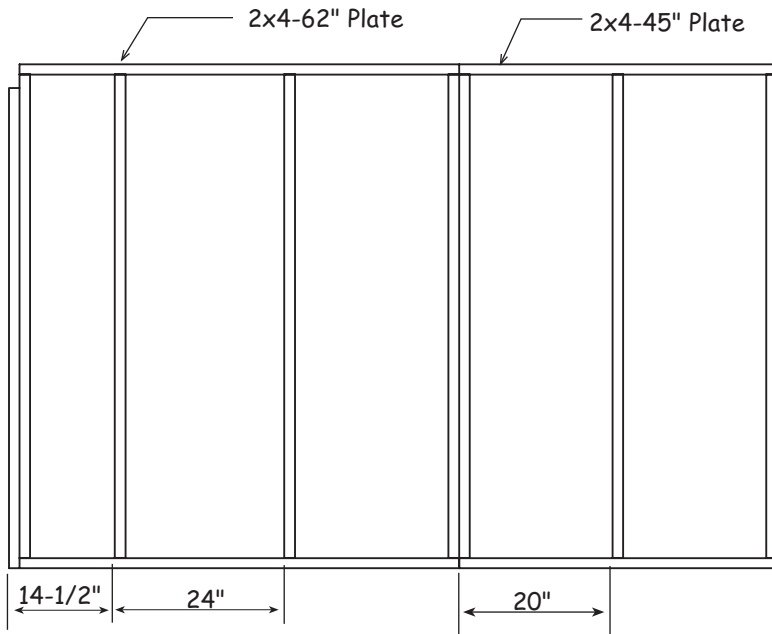
3. Gather the material listed on right to assemble the larger wall frames. ----->

Material Breakdown - Larger Wall Frame

2	2x4	45"	Wall Plates
2	2x4	62"	Wall Plates
7	2x4	72"	Wall Studs
1	2x4	71-1/2"	Header Support

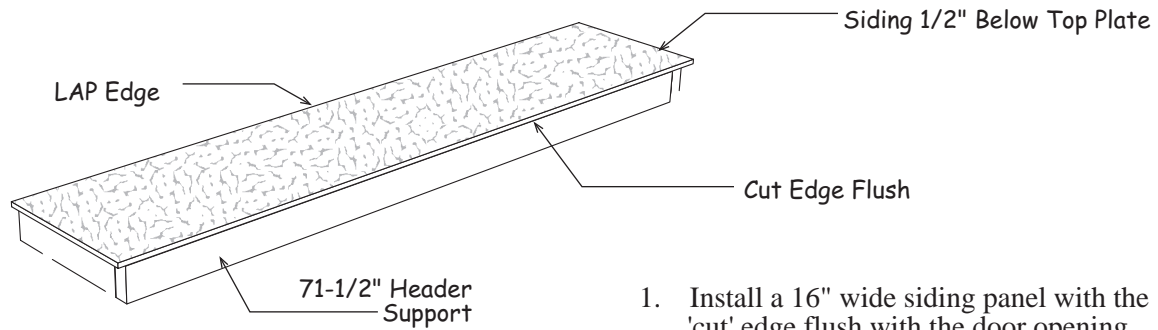
4. Assemble a 62" long and 45" long wall frame.
5. Nail frames together using 10d sinkers.

6. Install a 71-1/2" long 2x4 **[red ends]**, as a header support. ----->




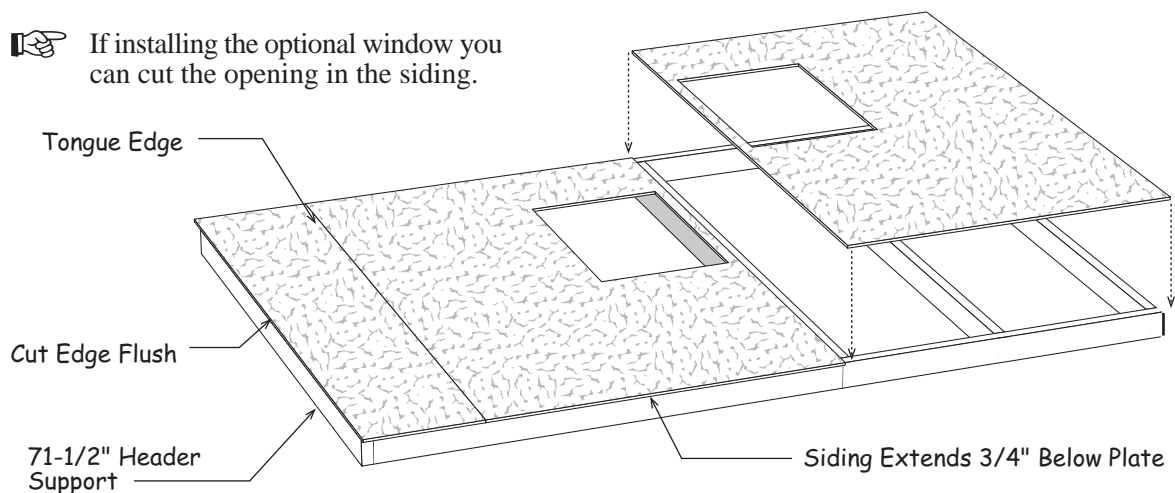
Step 8 Install Siding on Front Wall Frames

 ***If you want the door opening on the right, flip the walls and apply siding to the opposite side of the wall frames.***



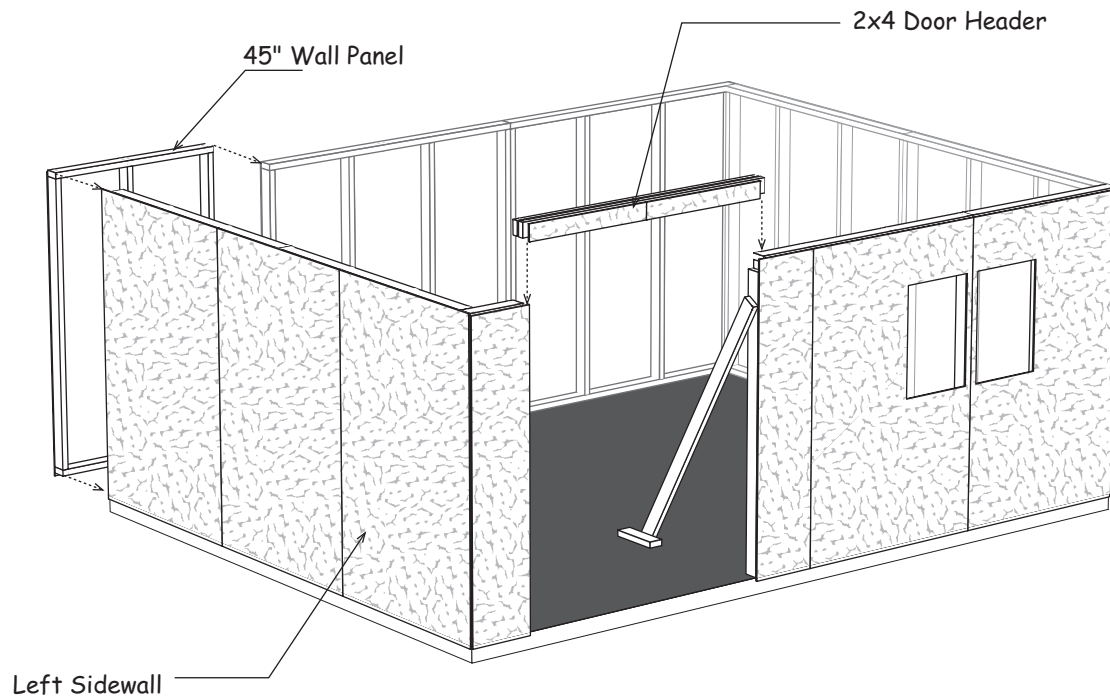
2. Install siding on the larger wall frame.
3. Install 16" siding panel with the cut edge flush with the side of the door opening.
4. Install (2) two siding panels. Cut the last siding panel flush with the end of the wall frame.

 ***If installing the optional window you can cut the opening in the siding.***



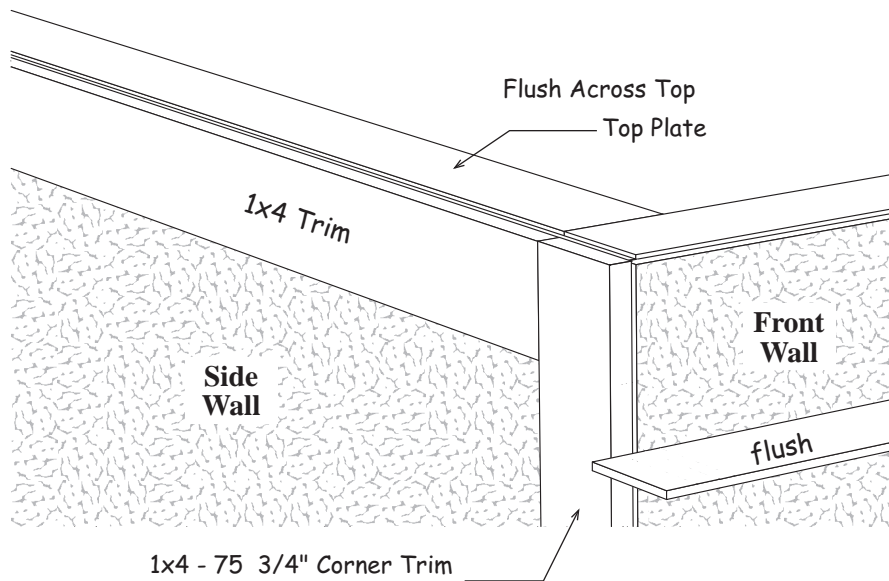
Step 9 Set Walls

1. Secure wall panels together at the corners. Use (4) four 10d coated nails per corner. Nail wall panels to the floor. Nail through the bottom plate. Space 10d sinkers 24" apart.
2. Install the 2x4 door header between the front wall panels. Nail through the wall stud into the ends of the header. Toenail into the top wall plates. Wall trim, installed later, will hide where the siding butts the front wall panels.
3. Install a 2x4-6' board at the door opening to hold the wall straight.
4. Nail along the siding edge where it overlaps the 16' long back wall panel.



Step 10 Install Sidewall Trim

1. Install 1x4-75 3/4" corner trim boards to the sidewall. Install trim flush with the 2x4 top plate and flush with the siding on the sidewalls. Use 8sd galv. nails, spaced 12" apart.
2. Cut 1x4-6' trim boards to fit between the corner trim boards.



3. Install trim on the opposite sidewall of the building.

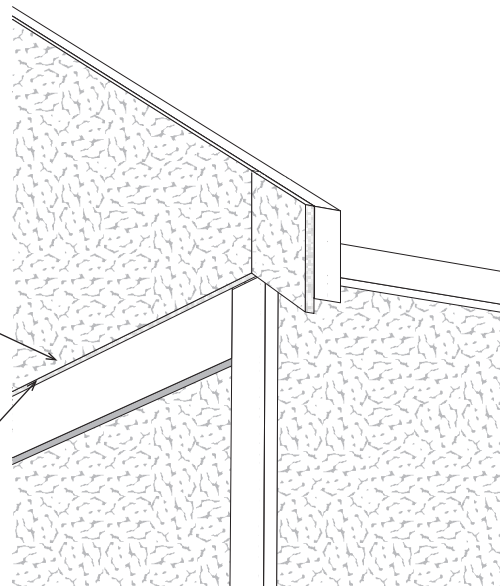
Step 11 Install Gable

1. Install a gable on the left sidewall wall. The gable siding will extend over the 1x4 trim on the lower wall. **NOT behind the trim!**

Secure gable to wall by nailing through the gable plate with 10d sinkers. Nail siding along the 1x4 trim board with 8d galv. nails.

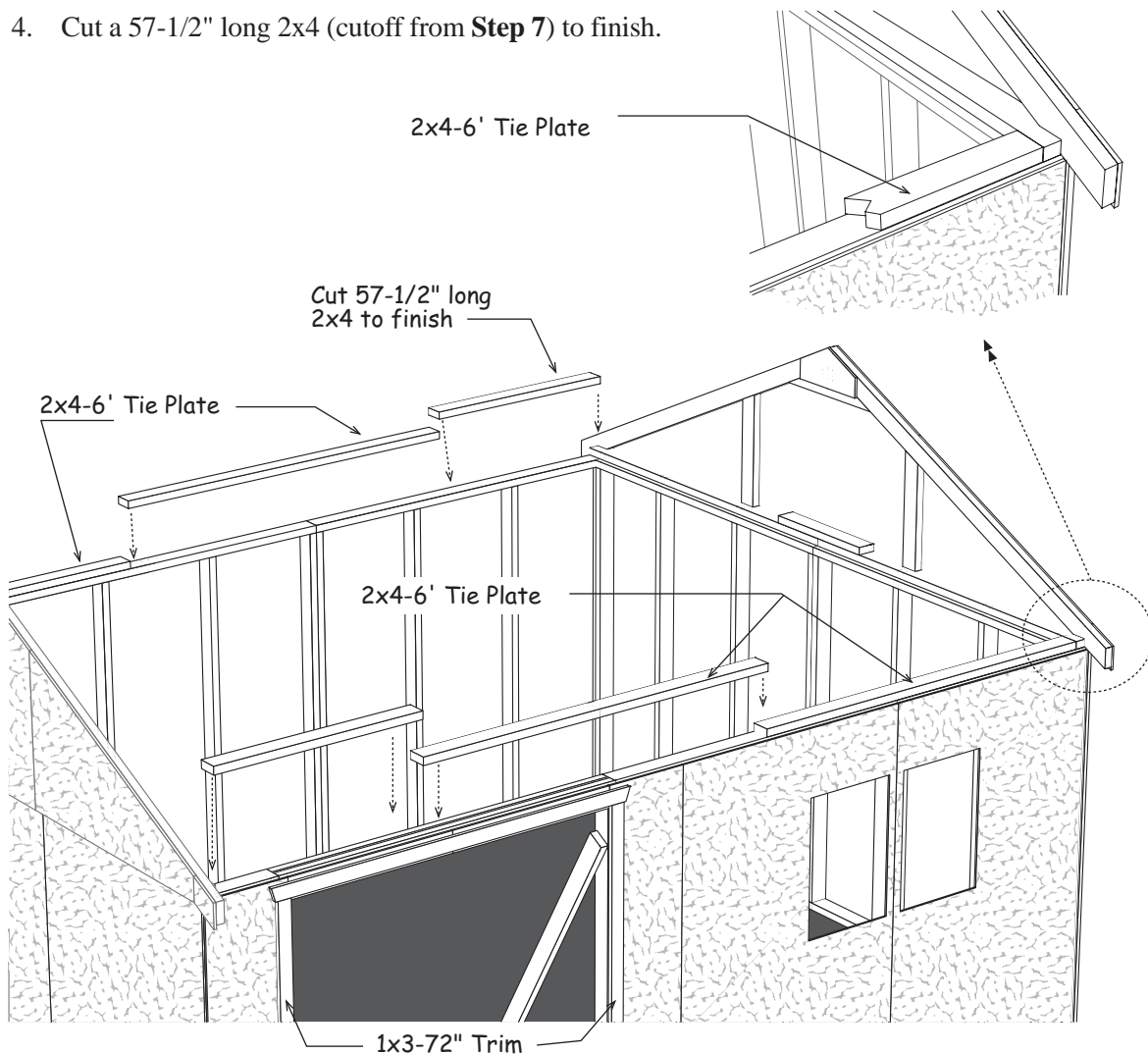
2. Install gable on the opposite sidewall.

Important: Bottom edge of siding extends over 1x4 trim. Paint this edge.



Step 12 Install 2x4 Tie Plates & Door Trim

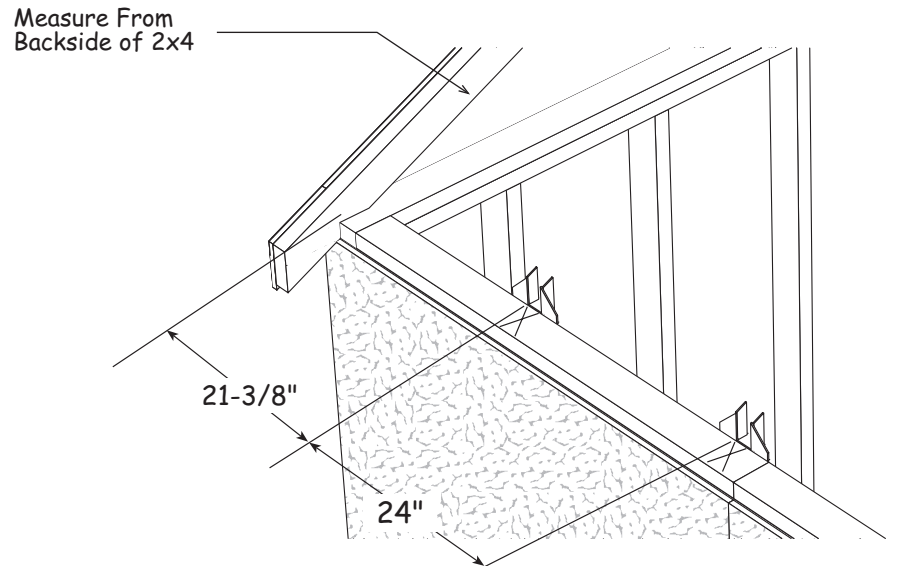
1. Install 2x4 tie plates, *over the 2x4 wall plate*, on the back wall. Install (2) two 2x4-6' boards starting at the back left corner.
2. Cut a 57-1/2" long 2x4 (cutoff from **Step 7**) to finish.
3. Install (2) two 2x4-6' boards on the front wall starting at the front right corner.
4. Cut a 57-1/2" long 2x4 (cutoff from **Step 7**) to finish.



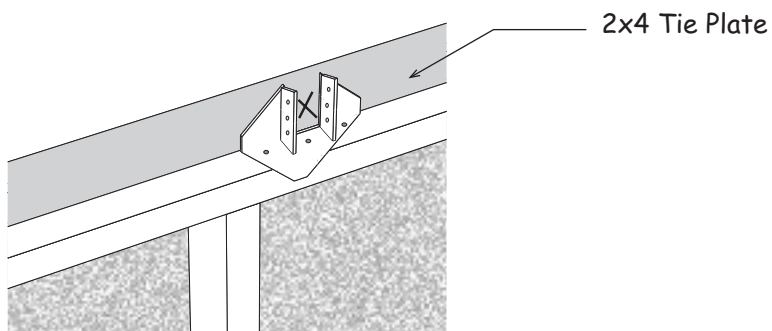
5. Install (2) two 1x3x72" boards along each side of the door opening, flush with the bottom edge of the siding. Tack these boards with a couple nails; you may want to move the trim later when you install the doors. Use 8d galv. nails.
6. Install a 1x3x71-3/4" board, that has angle cuts on both ends, across the top of the side trim.

Step 13 Layout Roof Trusses

1. Layout the truss spacing from the left sidewall of the building. Measure from the backside of the 2x4 gable frame when marking the location of the first truss. **Important:** When marking the opposite wall, place the 'X' mark on the same side of the line so your trusses are parallel when they are installed.
2. Install metal hangers to the tie plate with 1-1/2" hanger nails . The opening should line up with the 'X' mark, the bottom of the opening, flush with the 2x4 tie plate. **Detail 'D'**.



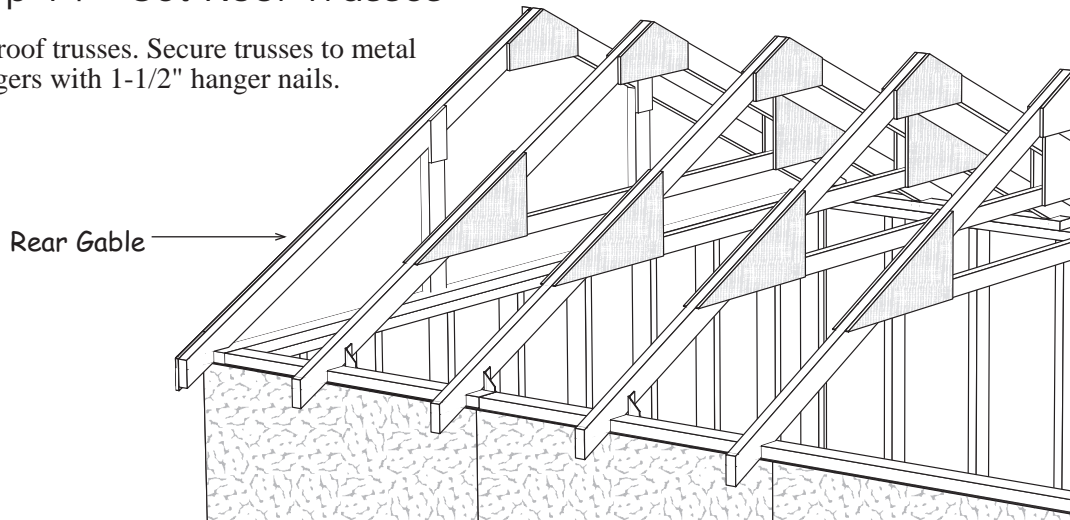
Detail 'D'



Inside of Building

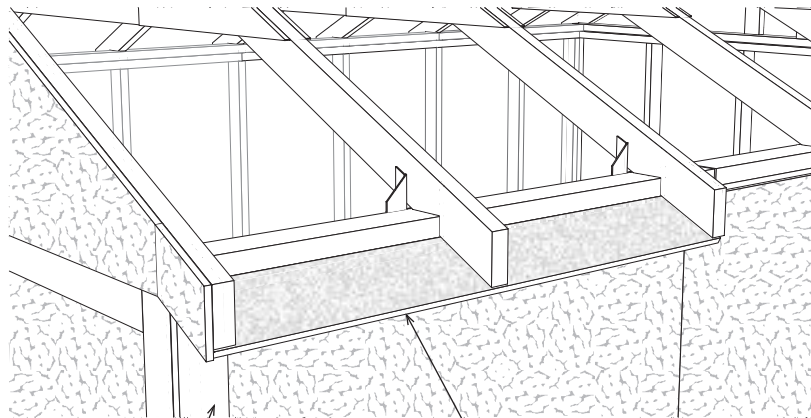
Step 14 Set Roof Trusses

Set roof trusses. Secure trusses to metal hangers with 1-1/2" hanger nails.



Step 15 Install Eave Soffit

1. Install 5" wide pre-cut siding as soffit under the truss overhang. Install soffit with the beveled edge flush with the end of the trusses. Use 6d galv. nails.



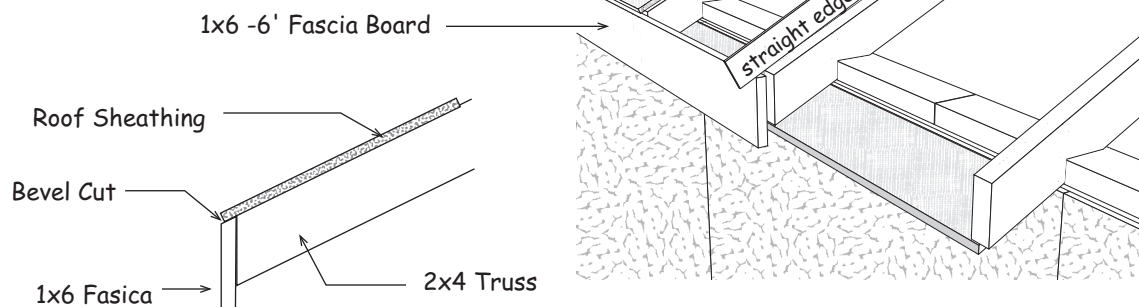
2. Cut 75-3/4' long 1x4 trim boards to length and install at the corners.

Soffit
Beveled Edge

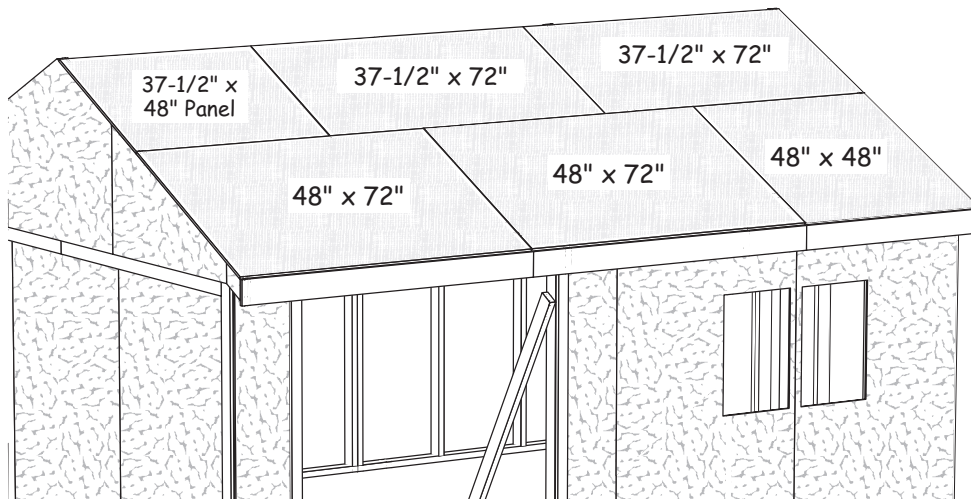
Step 16 Install 1x6 Fascia & Roof Sheathing

1. Starting at the rear of the building, install 1x6-6' white pine fascia boards on each side flush with the face of the siding on the back gable.

Install the fascia so the bottom edge of the roof sheathing will rest on the beveled edge of the 1x6. Use a straight edge to align the 1x6 boards with the top of the trusses. Install fascia with 8d galv. nails.



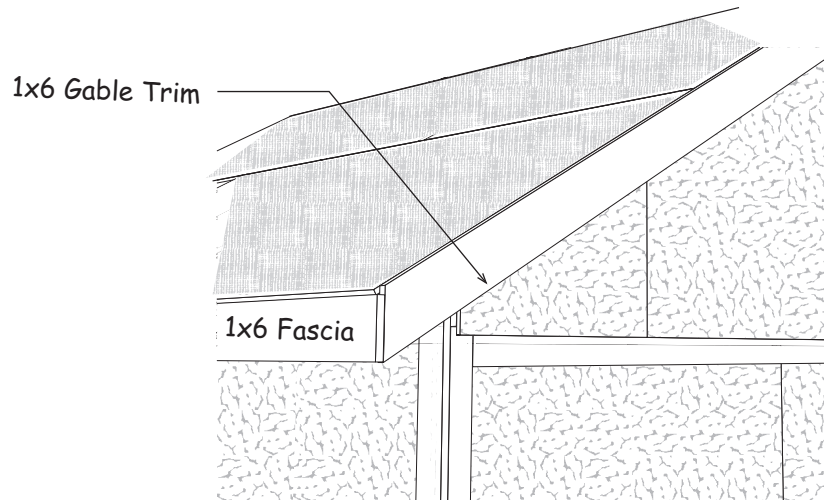
2. Install 1x6-6' fascia in the center of the building.
3. Cut and install 1x6-4' fascia at the right end of the building.
4. Install roof sheathing per layout below. Make sure the trusses are plumb and the roof sheathing meets the center of the truss. Use 7d sinkers spaced 12" apart. The top row of roof sheathing will be about 1" below the ridge to allow for ventilation.



Step 17 Install Gable Trim

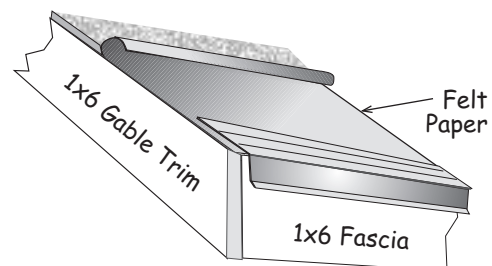
Install 1x6 gable trim flush with the top of the roof sheathing.

Use 8d galv. nails



Step 18 Install Roofing — Not Supplied in Kit

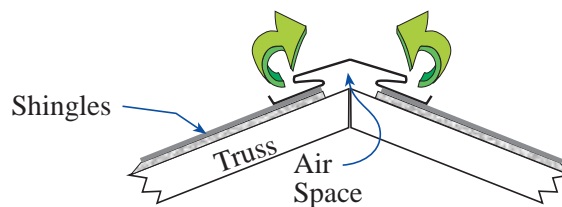
1. Install metal roof edging perimeter of the roof area. If you are not installing shingles at this time, you can purchase felt paper to protect the roof sheathing. Install the felt paper before you install the metal roof edge.



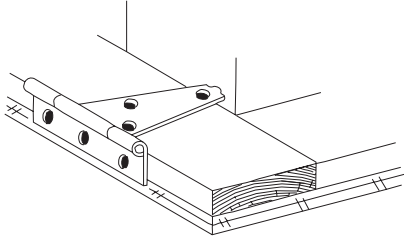
2. Install shingles according to the instructions on the wrapper. If you need more detailed instructions on installing shingles, there are good publications at book stores or newsstands.

Building Tip: Install ridge vent in lieu of shingles caps. Ridge vent provides ideal ventilation, preventing heat and moisture from damaging your building or its contents.

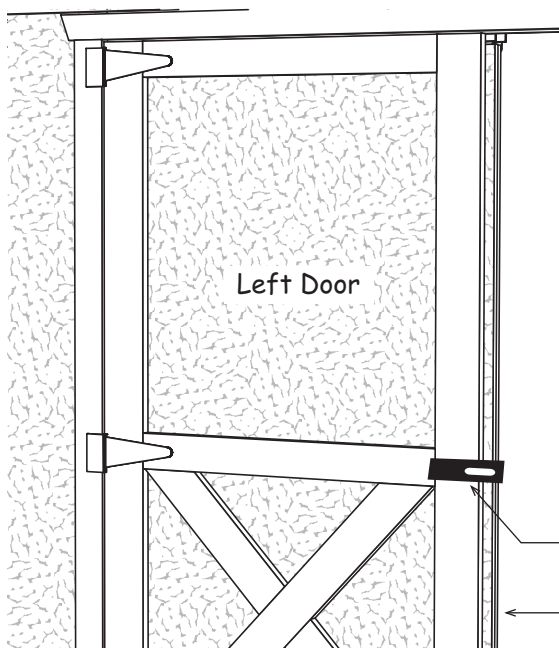
Optional ridge vent provides ideal ventilation.



Step 18 Install Doors & Hardware



1. Lay the left door with the trim facing up. The siding on the left door extends past the door trim. See detail below.
2. Install 5" hinges to the left side of the door frame. To position the hinge properly, hold the rectangular plate against the frame. Use 1-3/4" black screws.
3. Install hinges to the right side of the other door.



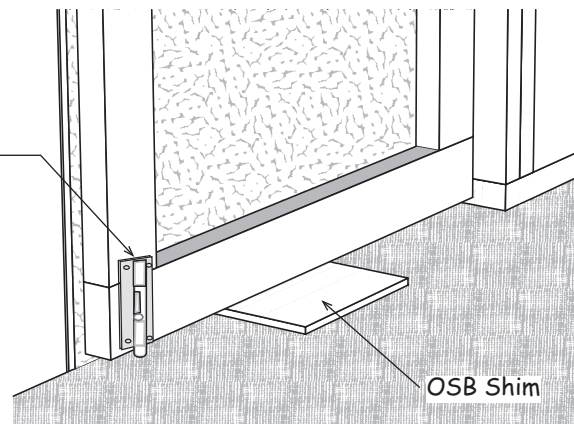
4. Before you fasten the hinges to the door trim, temporarily prop the doors in the opening. Leave a space at the top of the doors and between the doors and the side trim to allow room for the doors to expand when they absorb moisture.

If your door opening is out of square, the space around the doors will not be even. You can remove and reposition the side trim to make allowances for this. The side trim does not have to be flush with the frame of the door opening. You can move the trim in or out to make the door spacing equal.

5. Install hinges to trim with 2" screws.

Barrel Bolt on the back of left door

6. Install a barrel bolt on the lower back of the door to secure this door in place when closed. You will need to drill a hole for the round shaft to drop into.
7. Install another barrel bolt at the top of the door.



Material Packaged In Component Kit

7	Collar Ties	2x4	90"	3	1 lb. box	10d	Sinkers
18	Truss Rafters	2x4	86-1/4"	3	1 lb. box	8d	Galv.
52	Wall Studs	2x4	72"	2	1 lb. box	7d	Sinkers
2	Door Jacks	2x4	71-1/2"	1	1 lb. box	6d	Galv.
8	Wall Plates	2x4	68-1/2"	3	1 lb. box	6d	Common
1	Door Header	2x4	67-1/2"	1	1 lb. box	1-1/2"	Hanger Nails
2	Wall Plates	2x4	62"	6	ea.	5"	Door Hinges
4	Wall Plates	2x4	45"	1	ea.	4.5"	Door Latch
4	Gable Studs	2x4	23-1/2"	2	ea.	6"	Barrel Bolts
8	Truss Jig Blocks	2x4	10"	48	ea.	2"	Hinge Screws
14	Truss Gussets	7/16"	8" x 20"	6	ea.	1x4	Metal Plates
28	Truss Gussets	7/16"	12" x 24"	2	ea.		Bottle Glue
8	Soffit Boards	3/8"	5" x 48"	4	ea.	1x6 Gable Trim	87"
2	Plywood Gusset	3/4"	3.5" x 32"	4	ea.	1x6 Fascia Trim	72"
14	2x4 Metal Truss Hangers			2	ea.	1x6 Gable Trim	48-1/2"
2	ea Pre-built Doors	32" x 71-3/4"		8	ea.	1x4 Corner Trim	75-3/4"
Exterior Siding				4	ea.	1x4 Wall Trim	72"
12	ea Siding Panels	48" x 75-1/4"		2	ea.	1x3 Door Trim-sides	72"
2	ea Siding Panels	16" x 75-1/4"		1	ea.	1x3 Door Trim-top	71-3/4"
2	ea Siding Panels	48" x 40"		Roof Sheathing			
4	ea Siding Panels	48" x 28"		8	ea.	Sheathing 7/16"	4' x 6'
				4	ea.	Sheathing 7/16"	4' x 4'

Purchase Optional Shingles

Roof Covering - not supplied in kit			
9	bdl.	Roof Shingles	
8	pcs.	Roof 'drip' Edge	10'