



⚠ DANGER

If you smell gas:

1. Shut off gas to the appliance.
2. Extinguish any open flame.
3. If odor continues, keep away from the appliance and immediately call your gas supplier or fire department.

⚠ WARNING

Do not store or use gasoline or other flammable vapors and liquids in the vicinity of this or any other appliance. An LP-cylinder not connected for use shall not be stored in the vicinity of this or any other appliance.

⚠ WARNING

For outdoor use only.

⚠ DANGER



CARBON MONOXIDE HAZARD

This appliance can produce carbon monoxide which has no odor.

Using it in an enclosed space can kill you.

Never use this appliance in an enclosed space such as a camper, tent, car or home.

USE AND CARE GUIDE

VESPA 38" FIRE COLUMN

Product Code: D71 M20450
 KSN: 08763171-9
 UPC Code: 034613673139

Date of Purchase: ____/____/____



Design certified under ANSI
 Z21.97-2010 Outdoor Decorative
 Gas Appliances & CGA CR97-
 003 Outdoor Gas Fireplace

Thank You For Your Purchase

Thank you for your purchase!

We are pleased that you have chosen Sears for your outdoor heating purchase. We hope that you enjoy the unmatched quality, ambiance, and style of your outdoor heating product. Every piece is meticulously considered all the way down to the smallest details, exclusively for you, by our world class design team. We know you have a choice when it comes to your heating product needs, so from our team to yours, thank you for letting us be a part of your outdoors.

Table of Contents

Table of Contents	2
Safety Information	3-5
Warranty	5
Care and Maintenance	5
Pre-Assembly	6
Assembly	7-10
Operation	11

Safety Information



Warning! Please read and understand this entire manual before attempting to assemble, operate or install the product. Failure to follow the dangers, warnings and cautions contained in this owners manual may result in a fire or explosion causing damage to property, serious bodily injury or death.

- The installation of this product must conform with local codes or, in the absence of local codes, with either the National Fuel Gas Code, ANSI Z223.1/NFPA 54, OR CAN/CGA-B149.1, National Gas and Propane Installation Code.
- **FOR OUTDOOR USE ONLY!** This appliance shall be used only outdoors in a well-ventilated space and shall not be used in a building, garage, or any other enclosed area.
- **USE PROPANE GAS ONLY!**
- Use only with a propane gas tank (sold separately). Do not attach to a remote gas supply.
- Propane gas is not natural gas. Only use propane gas for this fire column.
- The conversion or attempted use of natural gas in a propane unit or propane gas in a natural gas unit is dangerous and not recommended. Doing so may void your warranty.
- Never use charcoal or any other solid fuel in the fire column.
- During ignition procedure, you should never get your face close to the burner as an unnoticed flame may light up and cause injury.
- **LP GAS WARNING:** Do not exceed 1/4 in. depth of lava rocks directly above burner holes. Applying too much media may result in unburned gas pooling in fire column. Ventilation is required to allow fresh air into enclosure and for any residual gas to escape.
- If you see, smell or hear the hiss of escaping gas from the propane gas tank: 1. Disconnect propane gas tank. 2. Do not attempt to correct the problem yourself. 3. Get to your gas supplier and/or the fire department for help.
- Do not operate the fire column if there is a gas leak present.
- Never use a flame to check for gas leaks.
- The max. inlet supply pressure: max. gas supply 11 inch w.c. (2.74kPa).
- The gas pressure regulator provided with the fire column must be used.
- Use LP propane gas tanks only with these required measurements: 12 in. (diameter) x 18 in. (tall) with 20 lb. capacity maximum.
- Propane tank used must include a collar to protect the propane gas tank valve.
- Never fill the propane gas tank beyond 80% full.
- Propane gas tank supply system must be arranged for vapor withdrawal.
- Do not use a propane gas tank with a damaged valve and any other worn out parts. A dented or rusty propane gas tank may be hazardous and should be checked by your gas supplier prior to use.
- Do not burn any other materials than are supplied with and intended for use in this fire column.
- Lava rocks could hit somebody's face or eyes during initial start of this unit, so please keep away from the fire column for the first 20 minutes after it has been ignited.
- Do not operate fire column unless it is completely assembled and all parts are in place.

Safety Information

- Pay attention when operating the fire column. It is hot when in use and should never be left unattended. Do not move it while in operation.
- Do not use this fire column for cooking.
- Do not put any other fireplace cover or anything flammable on, beneath or around the fire column.
- Users should be alerted to the hazards of high surface temperatures and keep a safe distance to avoid burning or clothing ignition.
- Do not sit on the fire column. Do not rest feet or hands on the fire column.
- Never lean over the open fire column or place hands or fingers on the upper portion of an operational unit.
- Keep any electrical supply cords and the fuel supply hose away from any heated surfaces.
- Combustible materials should never be within 72 inches of the top, 48 inches of the back or sides of the fire column.
- This fire column must be attended at all times!
- Should the fire go out while burning, turn the gas valve off. Follow the instructions and wait five minutes before attempting to relight.
- Do not use this fire column if any part has been under water.
- Do not pour water into fire column.
- Immediately call a qualified service technician to inspect the appliance and to replace any part of the control system and any gas control which has been under water.
- Do not light or use gas unit if lava rocks are wet. Ensure lava rocks are completely dry before igniting as intense heat could cause the rocks to crack or pop.
- Do not attempt to disconnect the gas regulator or any gas fittings while your fire column is in operation.
- Do not handle fire column until it is shut off and completely cooled.
- The propane gas tank must be disconnected when fire column is not in use.
- Do not store a spare or disconnected propane gas tank under or near this fire column, or in the vicinity of any other appliance.
- If the fire column is stored indoors, detach and leave propane gas tank outdoors.
- Do not enlarge valve orifices or burner ports when cleaning the valve or burner.
- Do not use this fire column on vehicles or boats. Always operate the appliance on flat ground outdoors.
- After a period of storage and/or non-use, the propane fire column should be checked for gas leaks and burner obstructions before use.
- The propane fire column should never be used by children. Children must be supervised when they are anywhere near the appliance.
- The maximum gas supply pressure is 250psi.
- Clothing or other flammable materials should not be hung from the appliance, or placed on or near the appliance.
- Any guard or other protective device removed for servicing the appliance must be replaced prior to operating the appliance.

Safety Information

- All installation and repair should be done by a qualified service person. This appliance should be inspected annually. More frequent cleaning may be required as necessary. It is imperative that the control compartment, burners and circulating air passageways of the appliance be kept clean.
- Inspect the burner before each use of this fire column. If there is evidence of damage, the burner must be replaced prior to use of this fire column.
- Children and adults should be alerted to the hazards of high surface temperatures and should stay away to avoid burns or clothing ignition.
- Young children should be carefully supervised when they are in the area of this appliance.
- The LP gas supply tank must be constructed and marked in accordance with the specifications for LP gas tanks of the U.S. Department of Transportation (DOT) or the National Standard of Canada CAN/CSA-B339, LP gas tanks, spheres and tubes for the Transportation of Dangerous Goods; and Commission.
- The LP gas tank must have a listed overfilling prevention device (OPD) and a QCCI or Type I, (CGA810) LP gas tank connection.

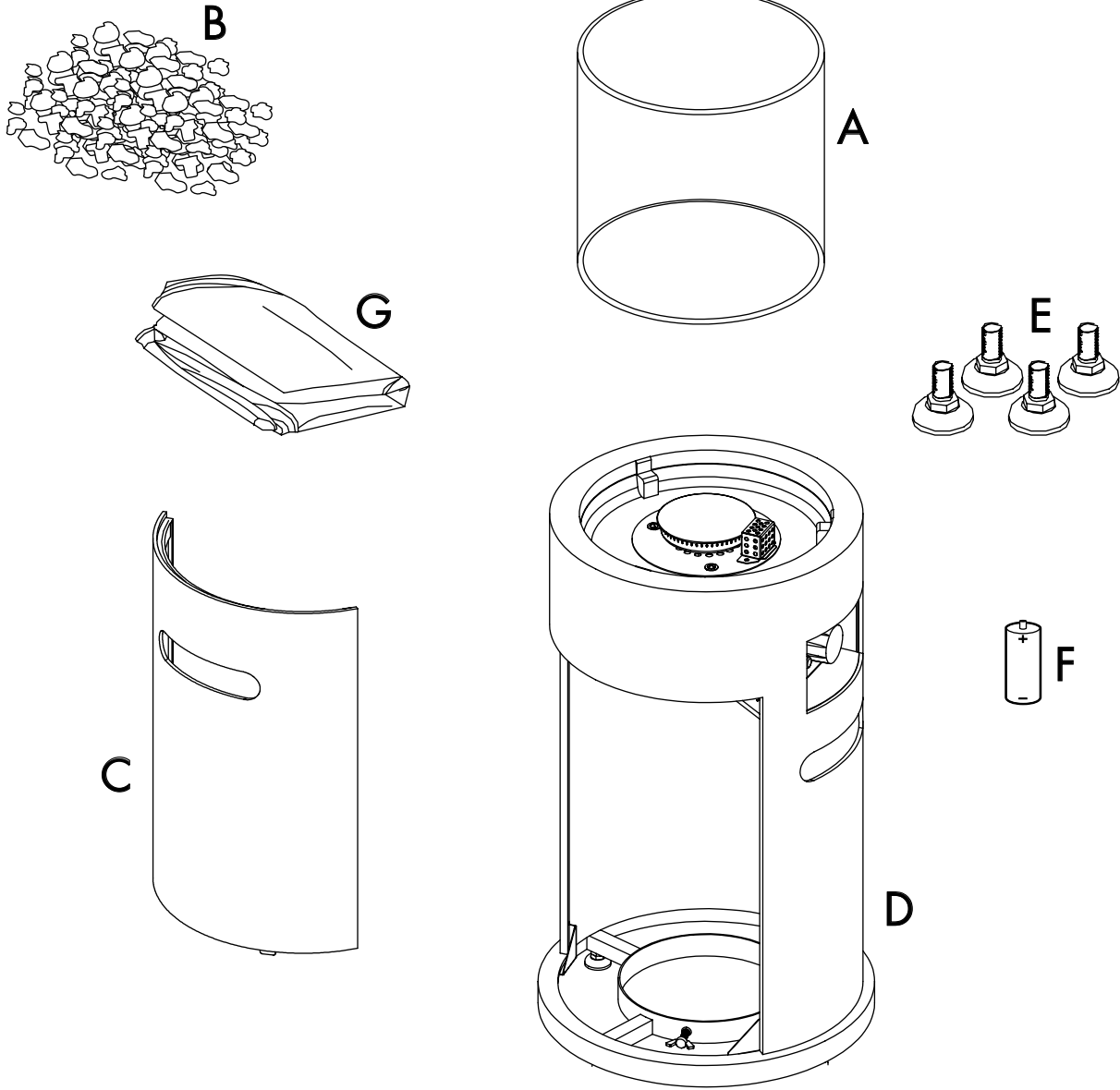
Warranty

This heating product carries a two (2) year warranty against defects in workmanship and materials.

Care and Maintenance

- Disconnect propane gas tank from appliance before performing any maintenance.
- Store the fire column in a cool dry place away from direct sunlight.
- The propane cylinder must be disconnected and removed from the fire column before the appliance can be stored indoors.
- Make sure both the gas and the fire column are turned off before changing battery. Please refer to the process of installing the battery.
- Use manufacturer approved or supplied replacement parts and accessories only. Otherwise may void the warranty of this product and result in a hazardous condition.
- Keep the fire column free and clear from combustible materials.
- Visually inspect burner from obstructions. Keep fire column free and clear from debris.
- After the burner and lava rocks are completely cooled down, use a soft brush to get rid of the mild stains, loose dirt and soil.
- Cover fire column with PVC cover "G" when not in use.
- Battery Replacement: Use AAA alkaline batteries.

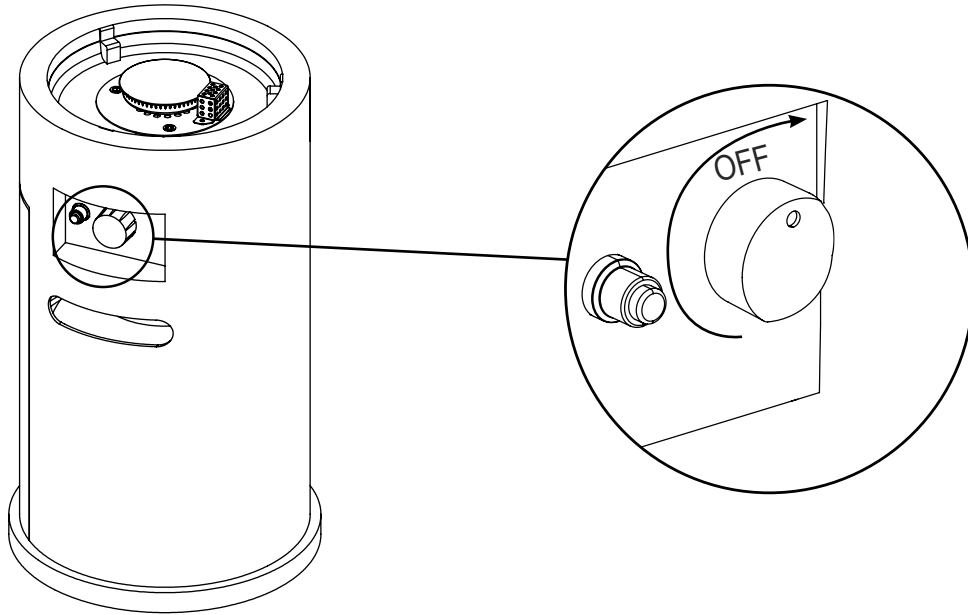
Pre-Assembly



PART	DESCRIPTION	QUANTITY
A	GLASS	1
B	LAVA ROCKS	1 BAG
C	DOOR	1
D	BODY	1
E	FEET	4 PCS
F	BATTERY	1
G	COVER	1

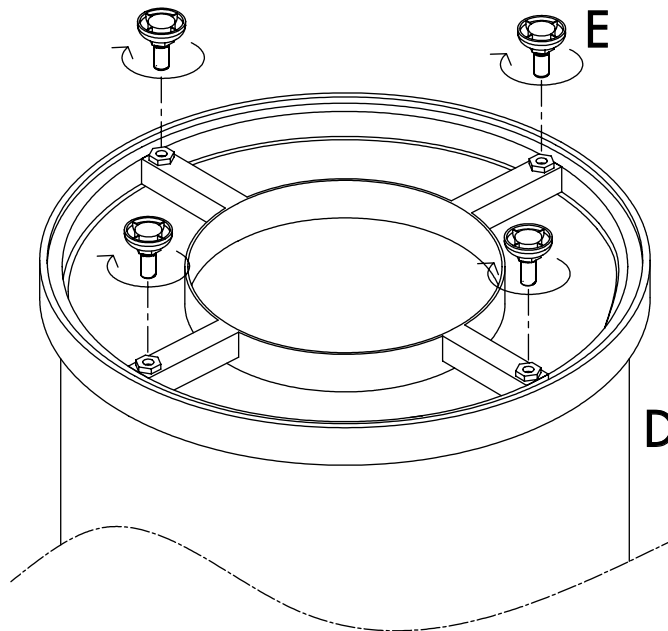
1 Turning the gas supply off

- MAKE SURE THE CONTROL KNOB FOR THE GAS SUPPLY SYSTEM IS TURNED TO "OFF".



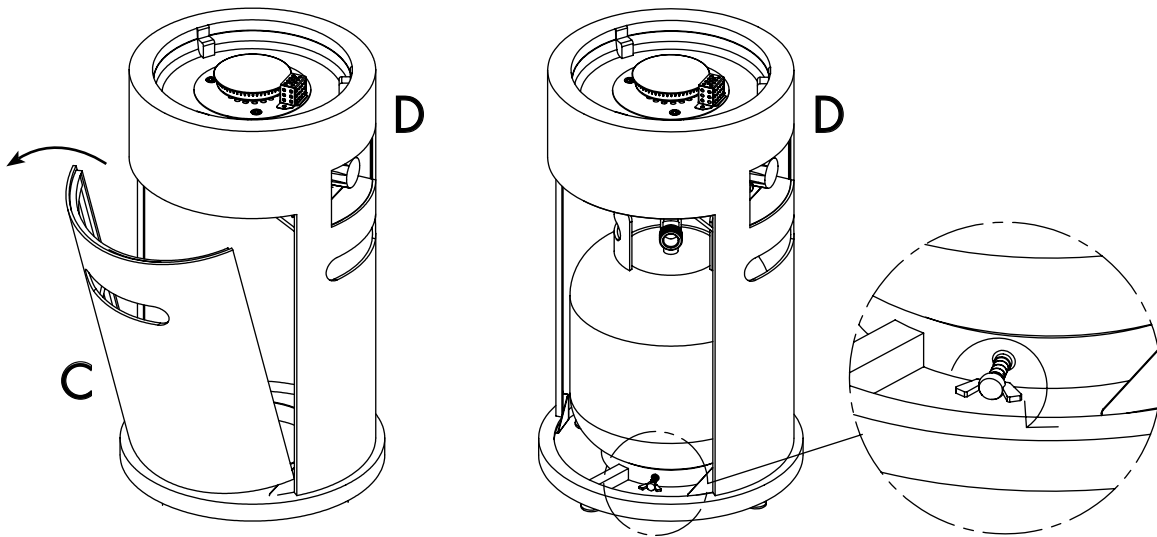
2 Attaching the feet

- PLACE THE COLUMN BODY "D" UPSIDE DOWN ON A COVERED SURFACE TO PROTECT THE FINISH. SCREW IN THE FEET "E" AT THE BOTTOM OF THE BODY "D". FLIP COLUMN BACK RIGHT SIDE UP AND REST IT ON ITS FEET "E".



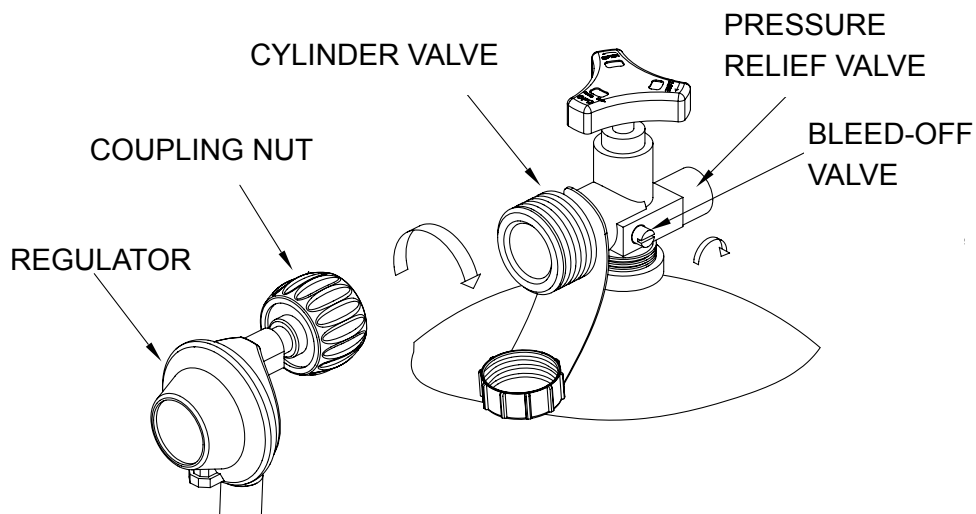
3 Installing the tank

- REMOVE DOOR "C" FROM BODY "D". PLACE PROPANE GAS TANK INTO THE TANK SEAT COMPLETELY. TURN THE PREASSEMBLED WING SCREW ON THE OUTER PART OF THE TANK SEAT CLOCKWISE TO SECURE THE PROPANE GAS TANK TIGHTLY.



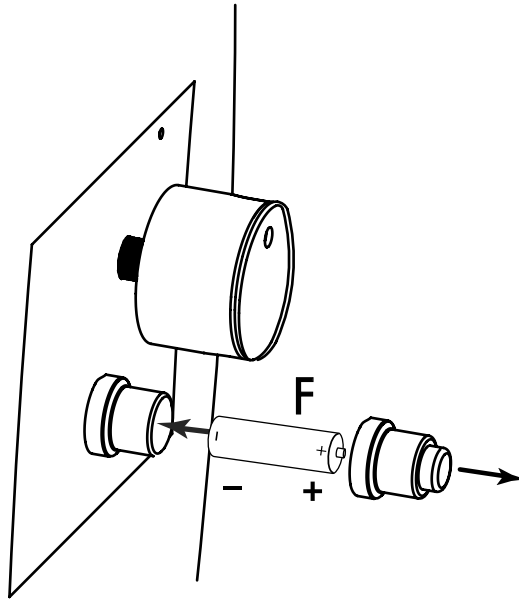
4 Connecting the regulator

- TURN THE CYLINDER VALVE ON THE PROPANE GAS TANK CLOCKWISE TO CLOSE THE GAS SUPPLY ON THE PROPANE GAS TANK. ATTACH THE PREASSEMBLED REGULATOR FROM THE FIRE COLUMN BODY "D" TO THE CYLINDER VALVE BY TURNING THE REGULATOR COUPLING NUT CLOCKWISE BY HAND ONLY. MAKE SURE IT IS FASTENED SECURELY.



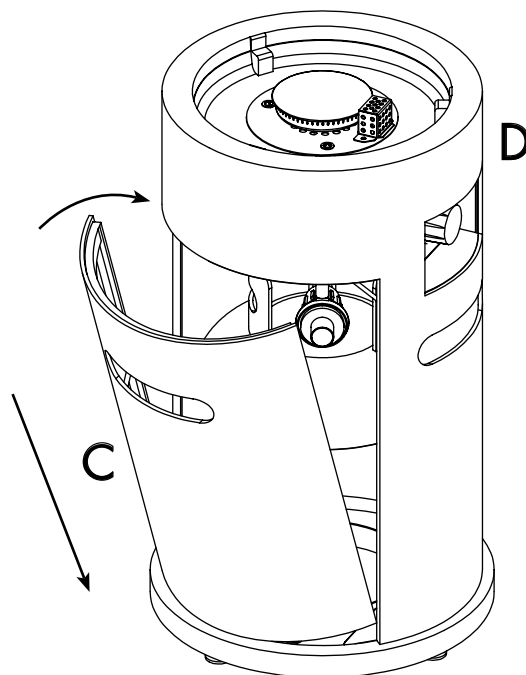
5 Installing the battery

- TO INSTALL THE BATTERY "F", UNSCREW THE RUBBER CAN OF THE ELECTRIC IGNITER AND PLACE BATTERY "F" INTO THE BATTERY CASE. MAKE SURE THE POSITIVE POLE ("+") FACES OUT TOWARDS THE CAP. SCREW THE CAP BACK ONTO THE ELECTRIC IGNITER TIGHTLY.



6 Replacing the door

- INSERT THE BOTTOM OF THE DOOR "C" INTO THE BASE OF THE COLUMN BODY "D". MAKE SURE THE BRACKET AT THE TOP OF THE DOOR "C" CLICKS IN AND IS SECURE.

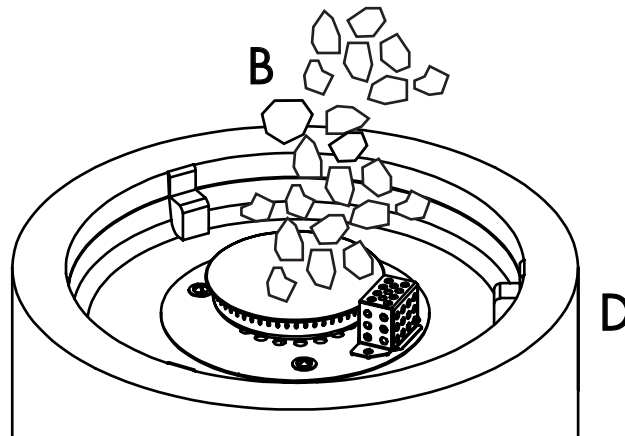


7 Placing the lava rocks

- PLACE THE LAVA ROCKS "B" EVENLY INTO THE FIRE COLUMN BODY "D".

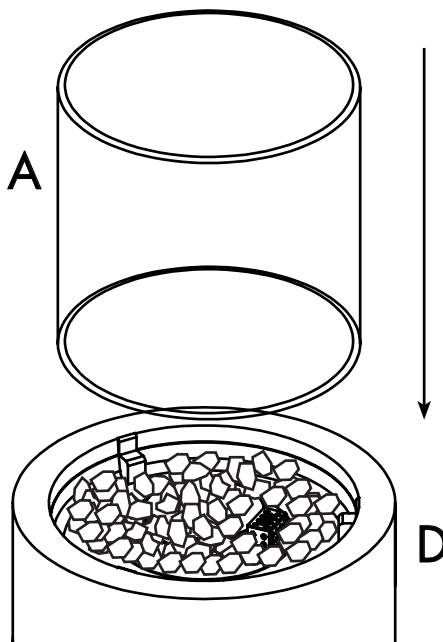


Warning! The screen in this fire column **MUST** be clear and free of obstructions at all times to ensure proper operation. Make sure the fire column is covered completely with lava rocks or the flame may extinguish occasionally.



8 Placing the glass

- INSERT THE GLASS PIECE "A" INTO THE CIRCULAR INSET AT THE TOP OF THE FIRE COLUMN BODY "D". BE SURE IT IS FIRMLY PRESSED DOWN TO ENSURE PROPER PLACEMENT.



Operation

Perform leak test in a well-ventilated area outside and where no source of spark can occur. Connect propane gas tank to regulator. Turn the on/off valve at the unit to the 'OFF' position to pressurize the control system. Use a soapy water solution to check all the connections leaks before attempting to light the appliance. If a leak is found or you smell gas, disconnect cylinder and turn valve off and do not use the appliance until repairs can be made.

Before each use, inspect the hose. Replace hose if there are any signs of cutting, wear or abrasion. Lava rocks could hit somebody's face or eyes during initial start of this unit, so please keep away from the fire column for the first 20 minutes after it has been ignited.

To Light

1. Turn the cylinder valve on the propane gas tank counterclockwise to open the gas supply.
2. Close the storing door on the fire column for the propane gas tank.
3. Press and hold the electric igniter.
4. Push and turn the control knob counterclockwise to the "LOW" position.
5. Keep pushing the control knob to light the burner.
6. After ignition, release the electric igniter.
7. Continue to push and hold the control knob for 45 seconds.
8. If ignition does NOT immediately take place in seconds, push and turn the control knob(l) clockwise to "OFF". Wait 5 minutes, then repeat the lighting procedure as above.

Once the appliance is lit, flame height can be controlled by adjusting the burner control knob between the "HIGH" and "LOW" positions. Always check burner flames periodically to ensure proper operation. Flames should be mostly yellow with some blue for best performance.

To Extinguish

1. Push and turn the control knob clockwise to the "OFF" position.
2. Turn the cylinder valve on the propane gas tank to close the gas supply if not in use for a long time.

sears

Please refer to part numbers when reordering

For questions or comments about this product:
Email: customer.service@bondmfg.com or Call toll-free: 1-866-BOND(2663)
between 8:00AM and 5:00PM Pacific Coast time.

Made in / Hecho en CHINA
Distributed by Sears, Roebuck and Co., Hoffman Estates, IL 60176

See our extensive assortment of outdoor living products
on-line at www.sears.com and www.kmart.com