

USE & CARE GUIDE

9 x 10 Pergola With Heavy Duty Posts

Product Code: D71 M34471

KSN: 0-06422170-8

UPC Code: 749241314131

Date of purchase: ____/____/____

Thank you for your purchase

Thanks you for your purchase!

We are pleased that you have chosen Sears for your outdoor furniture purchase. We hope that you enjoy the unmatched quality, comfort, and style of your new patio set. Every piece is meticulously considered all the way down to the smallest details, exclusively for you, by our world class design team. We know you have a choice when it comes to your patio furniture needs, so from team to yours, thank you for letting us be a part of your outdoors.

Table of contents

Table of Contents	2
Safety Information	3
Set Up our Shelter Properly	3
Examine your Shelter	3
Warranty	3
Excluded	3
Service Center	3
Care and Maintenance	4
Pre-Assembly	5
Hardware Included	5
Package Contents	6
Assembly Instructions	9
Customer Service	20

Safety Information

SET UP YOUR SHELTER PROPERLY

- Please read and understand this entire manual before attempt to assemble, operate, or install the product.
- If any part is missing or damaged. Do not attempt to assemble the product.
- Two to four people are needed for assembly.
- In order to avoid damage to the gazebo and its components please use appropriate tools.
- Do not use the structure as support.
- Check all screws on a regular basis to maintain the solidity of the structure.
- Keep instruction for further use.
- Approximate time: 2 – 3 hours

EXAMINE YOUR SHELTER

- Examine occasionally to ensure there are no loose parts. If loose parts are found, they must be retightened fully immediately.

Warranty

1 YEAR WARRANTY FOR FRAME AND FABRIC

Limited warranty is applicable on parts only. Warranty extends solely to the original purchaser who must offer original sales receipt for record.

WHAT IS COVERED

Limited warranty is applicable on parts only. We warranty to the original purchase for one year limited from the date of purchase that the frame and frame will be free from manufacturing defects.

WHAT IS NOT COVERED

Product used for commercial, contract, or other non-residential purposes, or damage due to acts of nature, vandalism, misuse, or improper assembly is not covered. Corrosion or rusting of hardware is not covered. Warranty is to the original purchase and in non-transferable. Any replacement of warranted items will be in the original style and color, or a similar style and color if the original is unavailable or has been discontinued.

SERVICE CENTER

The purchaser must contact our customer service center directly if this product is found to be defect in material or workmanship. The manufacturer, as its option, will repair or replace the defectives parts.

Please contact us via 1-800-961-9838, 9AM-5PM, Pacific Time Zone, Monday-Friday, or customerservice@bondvast.com

Care and Maintenance

- For cleaning, use a mild detergent solution and rinse with water. Do not use acetone abrasive or others special detergents to clean and air dry only.
- Due to the nature of steel, surface oxidation (rusting) will occur if this protective coating is scratched. This is a natural process. To minimize this condition, it is recommended that care be taken when assembling and handling the product in order to prevent the paint from being scratched.

Warning

WARNING: KEEP ALL FLAME AND HEAT SOURCES AWAY FROM THIS TENT FABRIC.

The tent meets the flammability requirements of CPAI-84. The fabric may burn if left in continuous contact with any flame source. The application of any foreign substance to the tent fabric may render the flame-resistant properties ineffective.

Pre-Assembly

PLANNING ASSEMBLY

To prevent damage, place all parts on a soft surface during assembly.

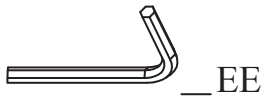
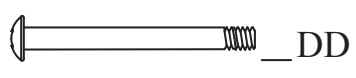
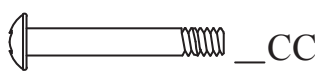
Tools required for assembly (not included): Allen wrench (included), a screwdriver, stepladder (min. 5ft.) and other safety items such as gloves, safety eyewear, and hardhat. To avoid injury from exposed sharp edges, it may be necessary to use the above safety equipment.

Do not leave it unattended if not fully assembled even if bolted to the ground.

HARDWARE INCLUDED



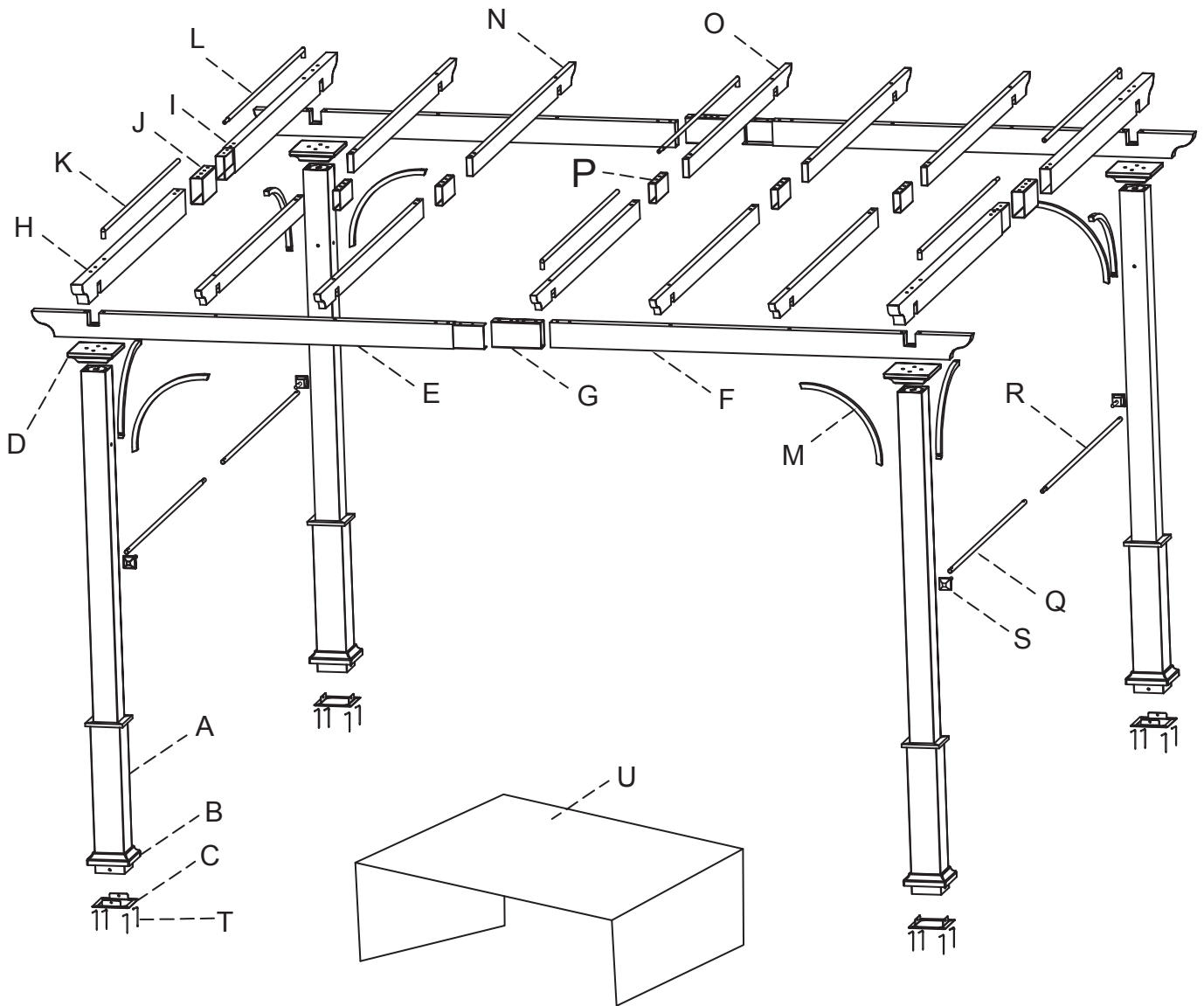
NOTED: Hardware not shown to actual size.



Part	Description	Size	QTY.
AA	BOLT	(Φ6 x 15mm)	44
BB	BOLT	(Φ6 x 35mm)	16
CC	BOLT	(Φ6 x 55mm)	16
DD	BOLT	(Φ6 x 115mm)	16
EE	ALLEN WRENCH		1

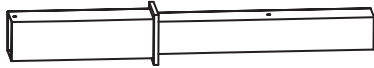













Pre-Assembly (continud)

Package Contents




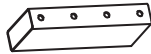
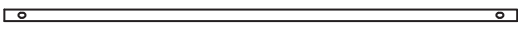
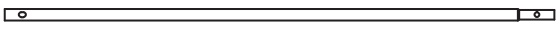
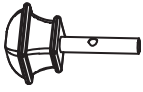
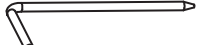
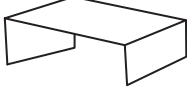
Pre-Assembly (continud)

Package Contents

Part	Description	Qty	Illustration
A	Post	4	
B	Base Cap	4	
C	Base Flange	4	
D	Upper Cap	4	
E	Long Crossbar 1	2	
F	Long Crossbar 2	2	
G	Outer Connector 1	2	
H	Short Crossbar 1	2	
I	Short Crossbar 2	2	
J	Outer Connector 2	2	
K	Fixed Strip 1	3	
L	Fixed Strip 2	3	
M	Support Bar	8	
N	Roof Tube 1	8	

Pre-Assembly (continud)

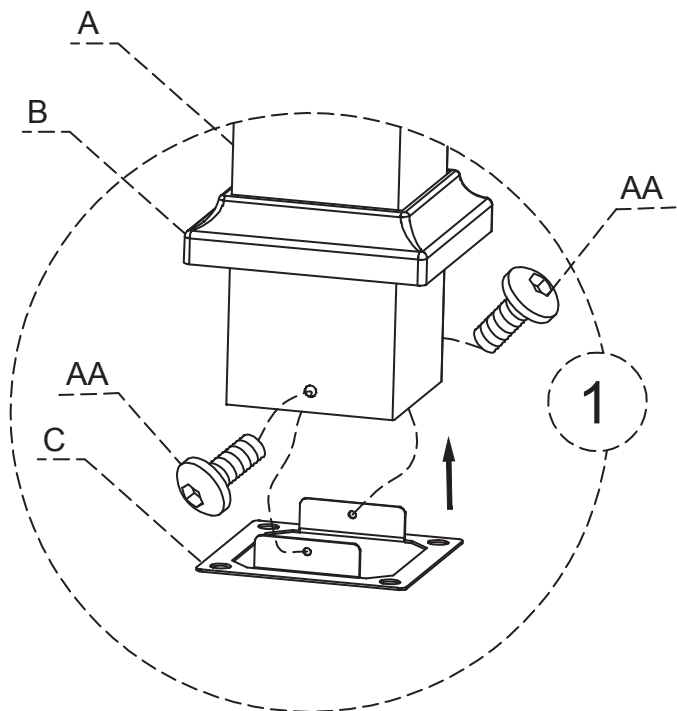
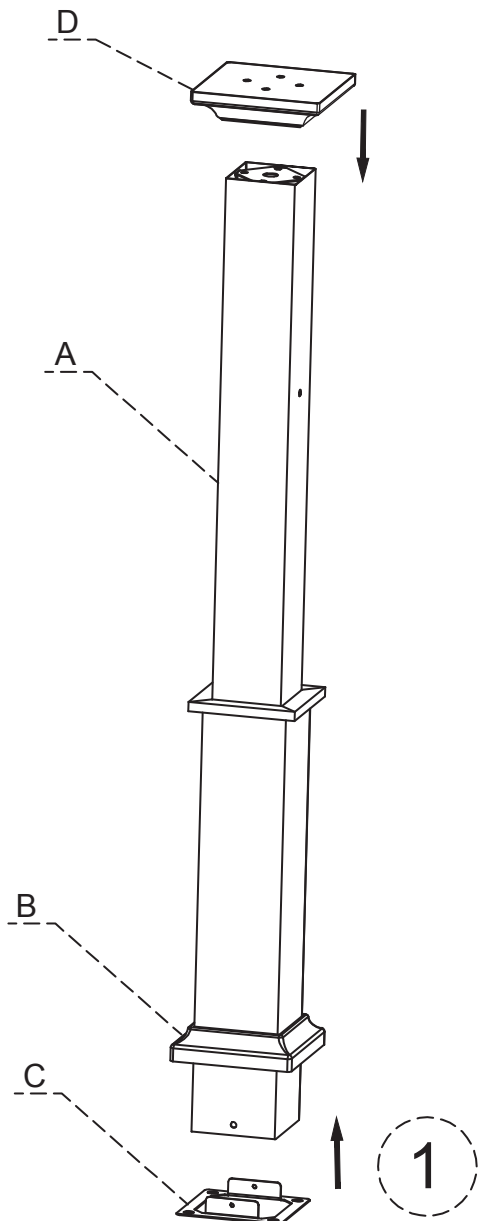
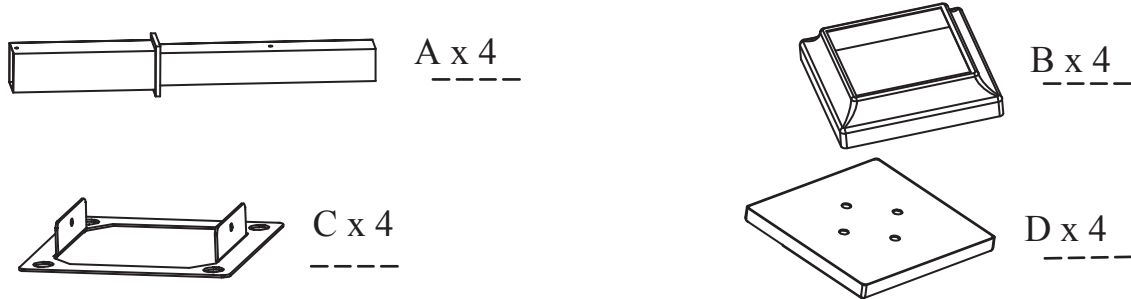
Package Contents

Part	Description	Qty	Illustration
O	Roof Tube 2	2	
P	Roof Out Connector	5	
Q	Steel Strip	2	
R	Steel Strip 2	2	
S	Finial	4	
T	Stake	16	
U	Canopy	1	

Assembly Instructions

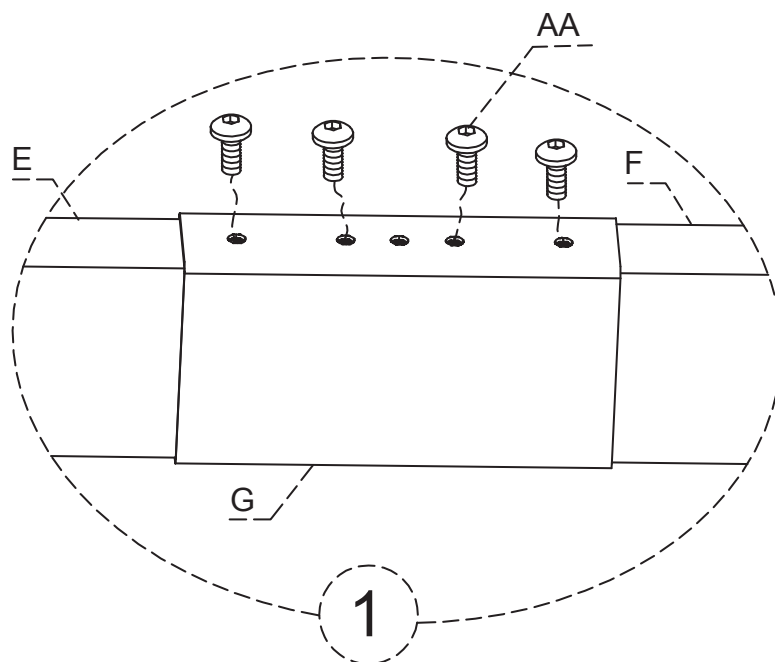
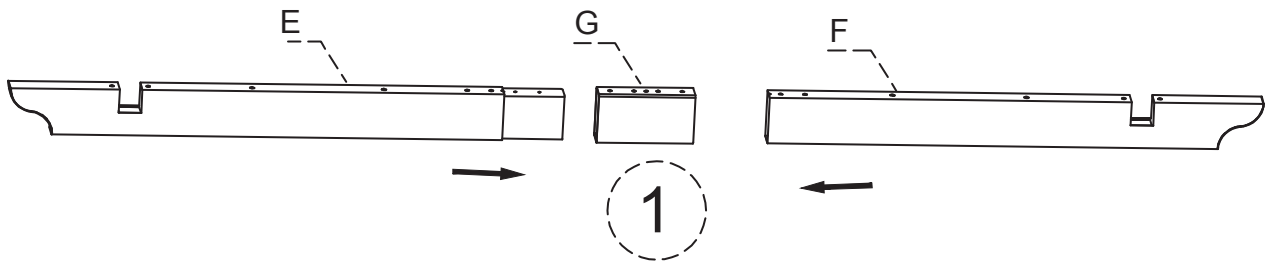
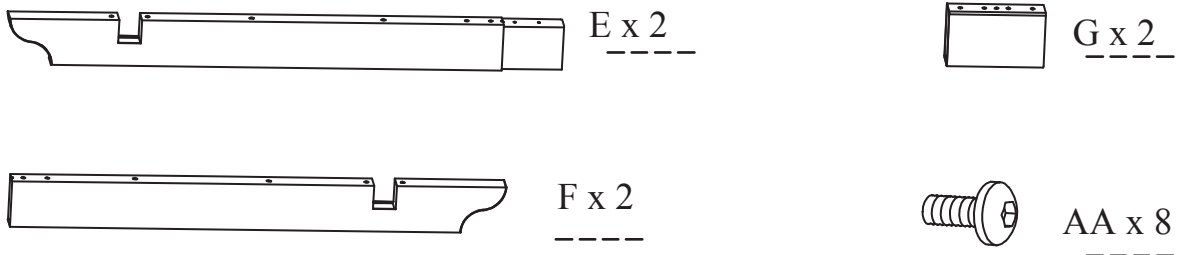
1. Take base cap (B) go through post (A) and use bolts (AA) secure with base flange(C). Then place upper cap (D) on the top of post (A). Repeat for remaining posts. Tighten all the screws after all on position.

Warning: Do not stand the posts on this step.



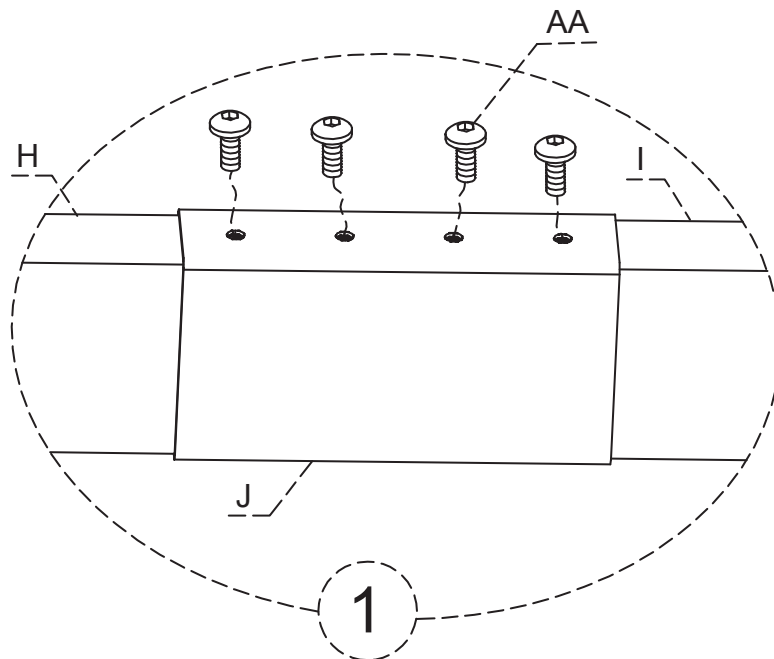
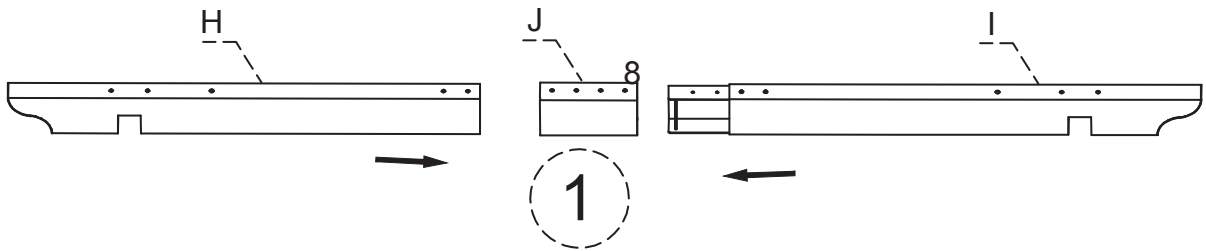
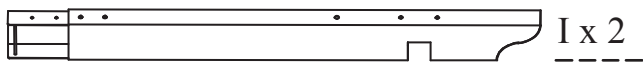
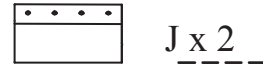
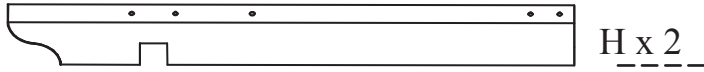
Assembly Instructions

2. Insert long crossbar (E, F) in between outer connector (G). Then secure by bolts (AA). Repeat this step for remaining long crossbar (E, F). Tighten all the screws after all on position.



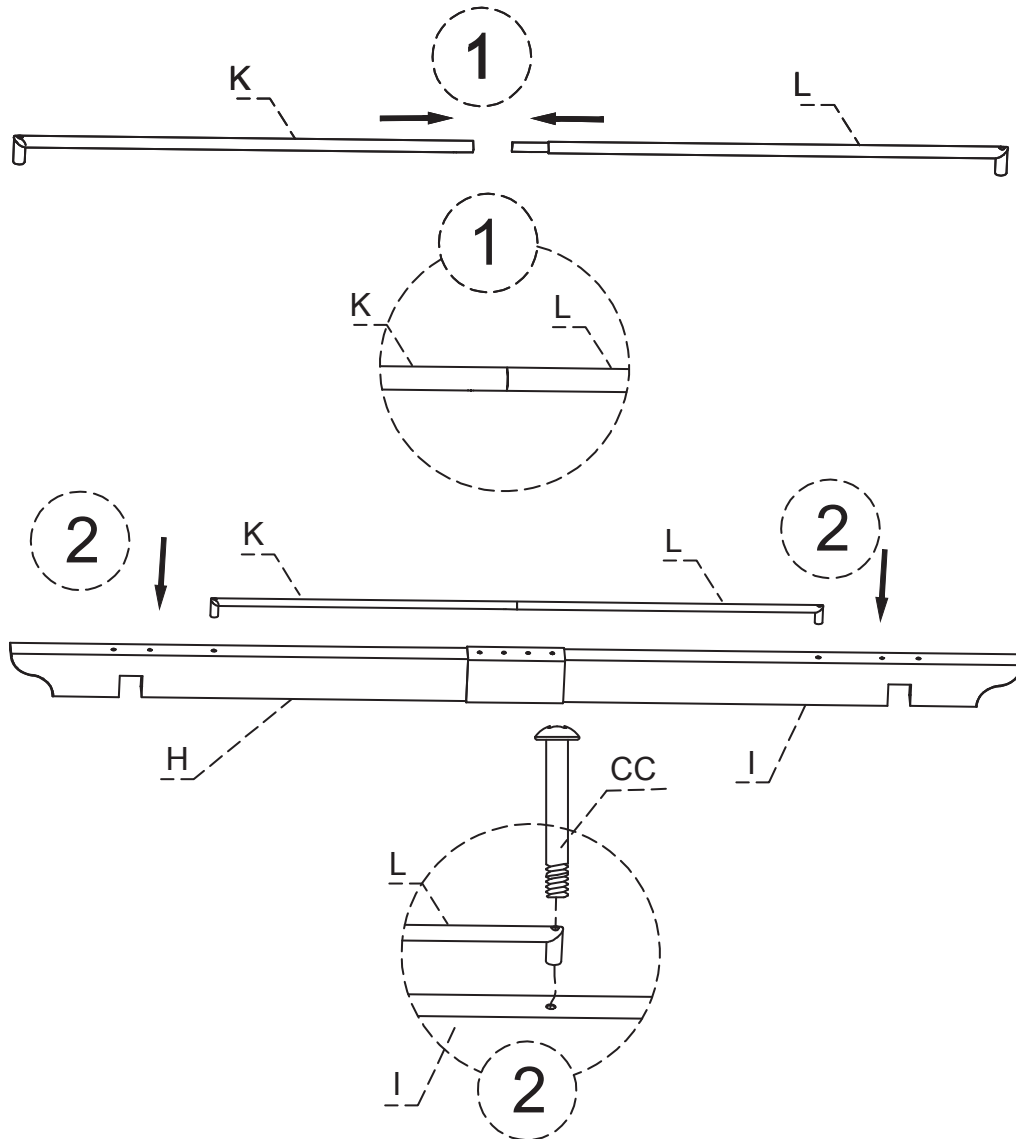
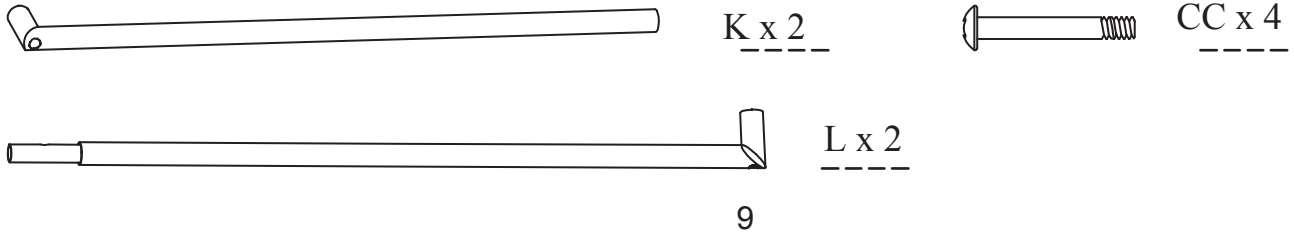
Assembly Instructions

3. Insert short crossbar (H, I) in between outer connector (J). Then secure by bolts (AA). Repeat this step for remaining short crossbar (H, I). Tighten all the screws after all on position.



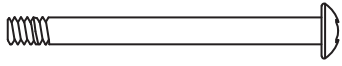
Assembly Instructions

4. Insert fixed tube 1 (K) and 2 (L) together. Then use bolts (CC) secure fixed tube (K, L) with short crossbar (H, I) as figure 2 shown below. Tighten all the screws after all on position.

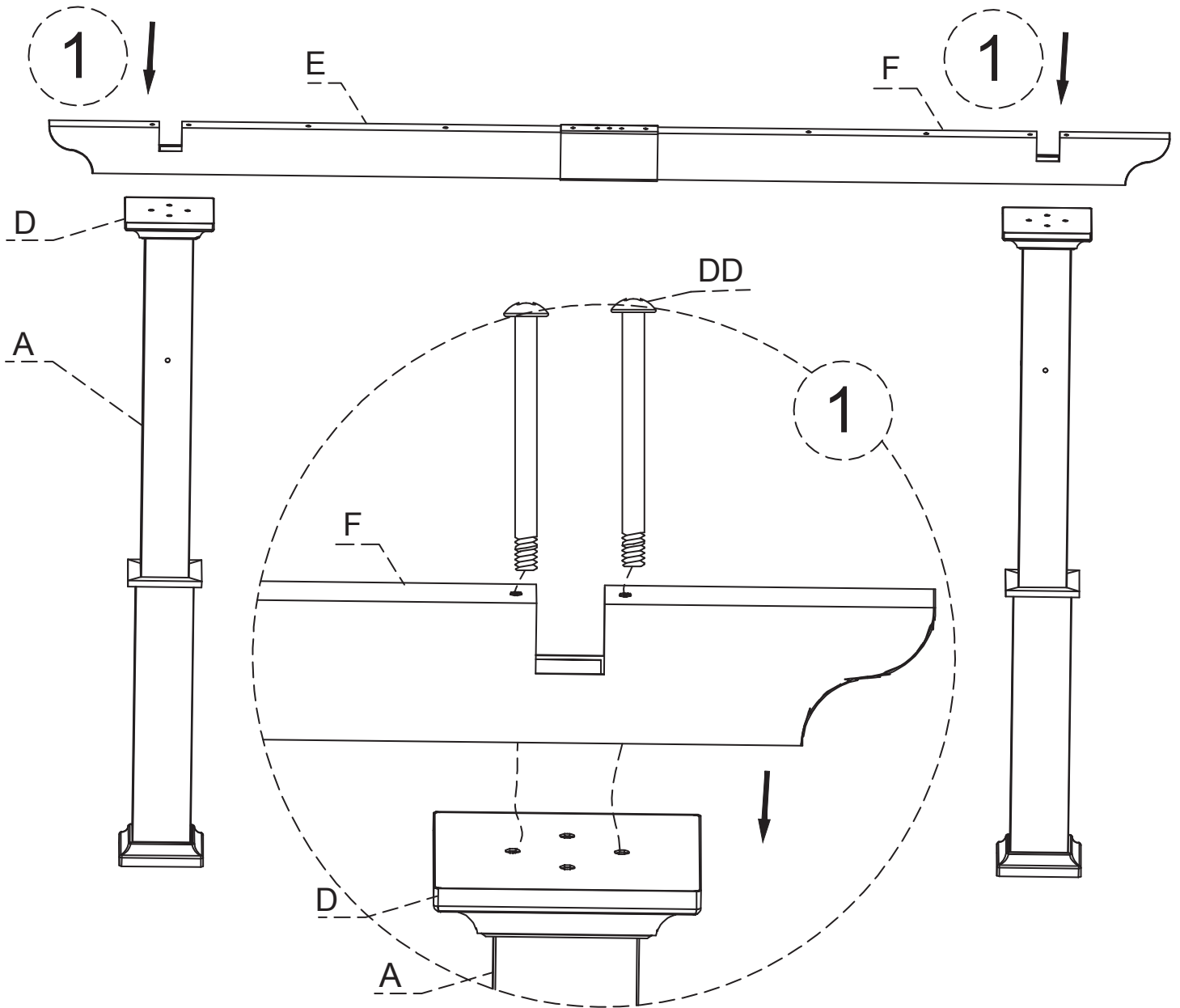


Assembly Instructions

5. Place the assembled long crossbar over the post (A). Then use bolt (DD) secure together as figure 1 shown below. Repeat this step for remaining long crossbar set. Tighten all the screws after all on position.

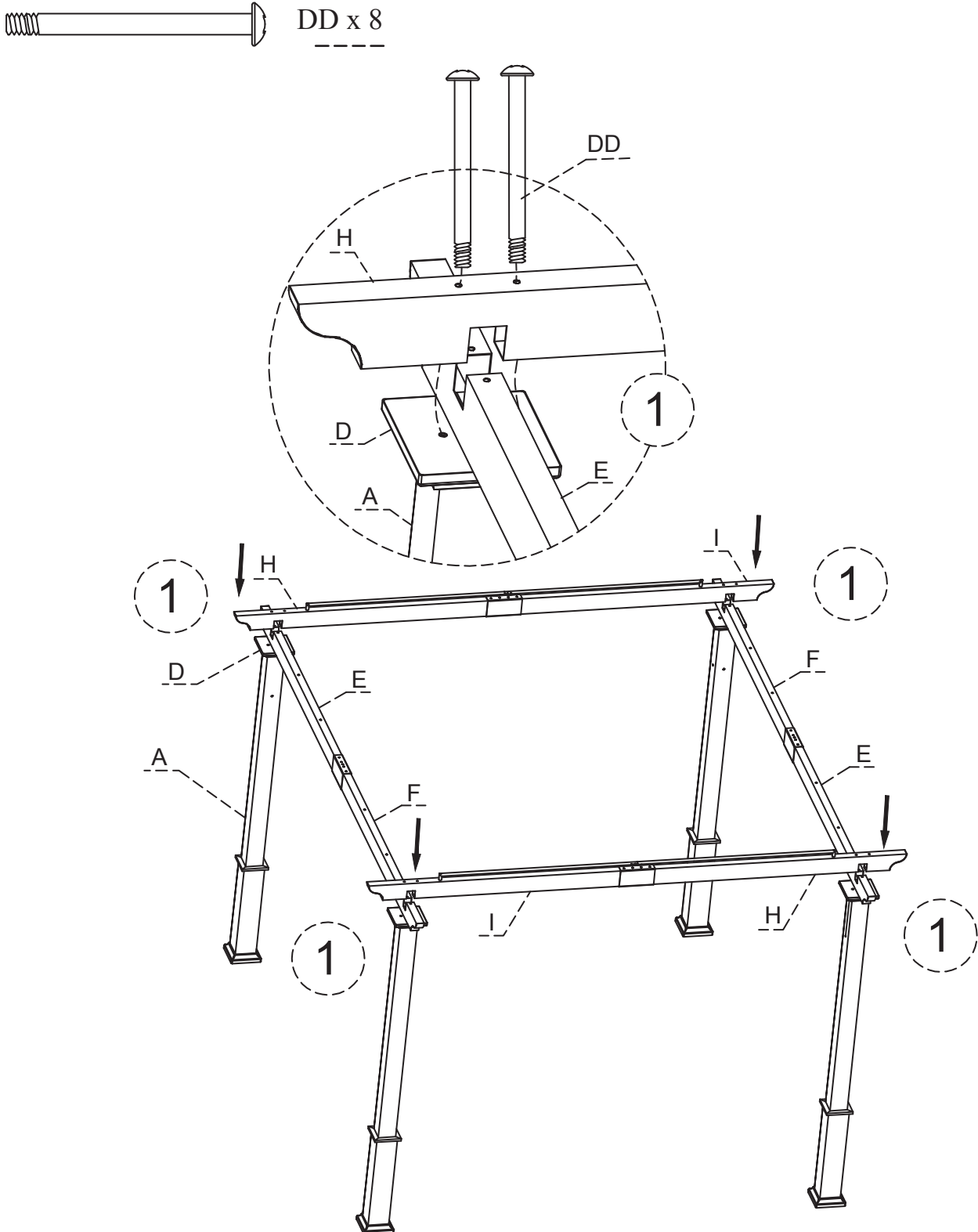


DD x 8



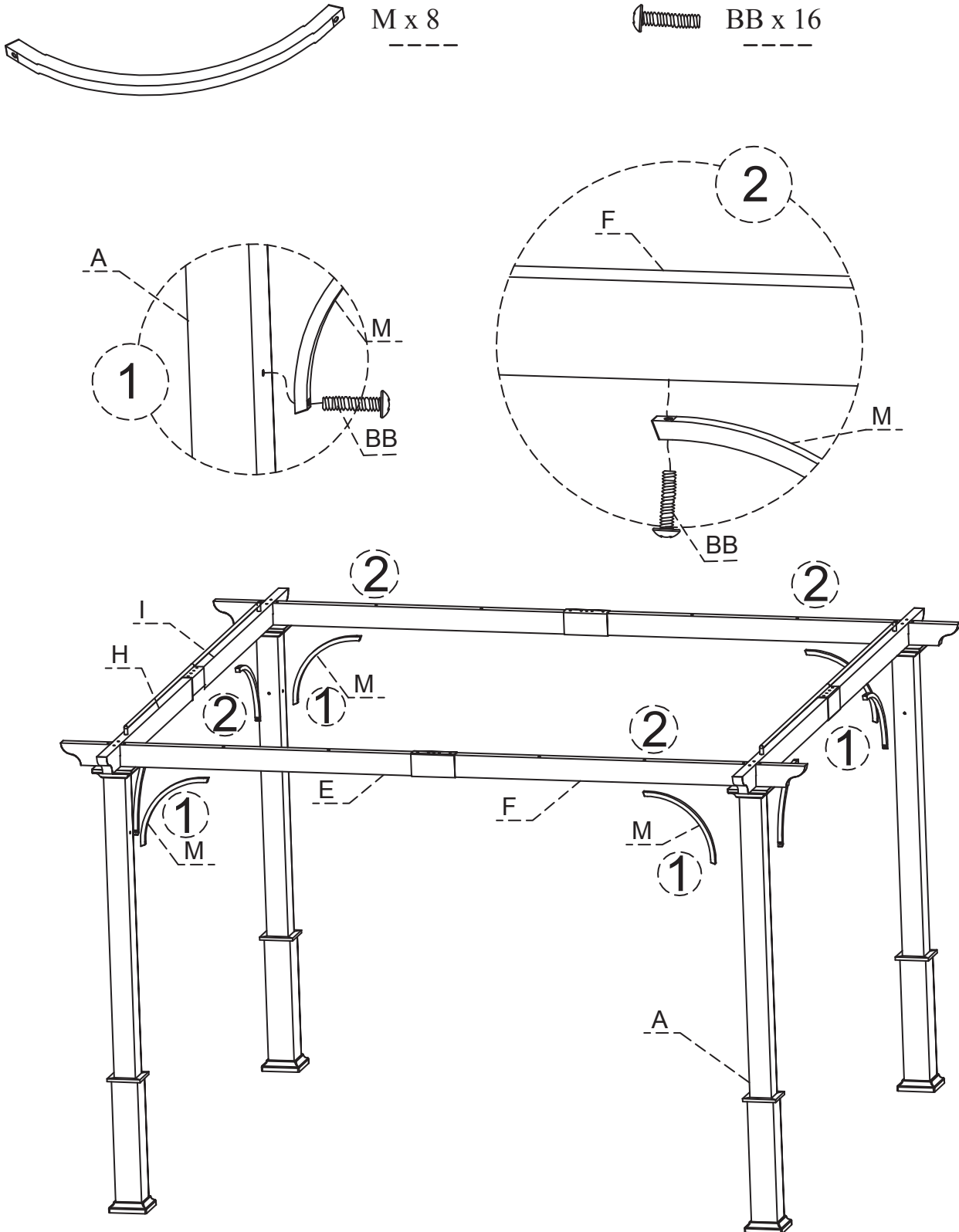
Assembly Instructions

6. Place the assembled short crossbar in between long crossbar. Then use bolt (DD) secure together as figure 1 shown below.
Repeat this step for remaining short crossbar set.



Assembly Instructions

7. Use bolts (BB) secure support bar (M) on the corner in between post (A) and crossbar as figure 1 and 2 shown below. Repeat this step for remaining support bar (M). Tighten all the screws after all on position.

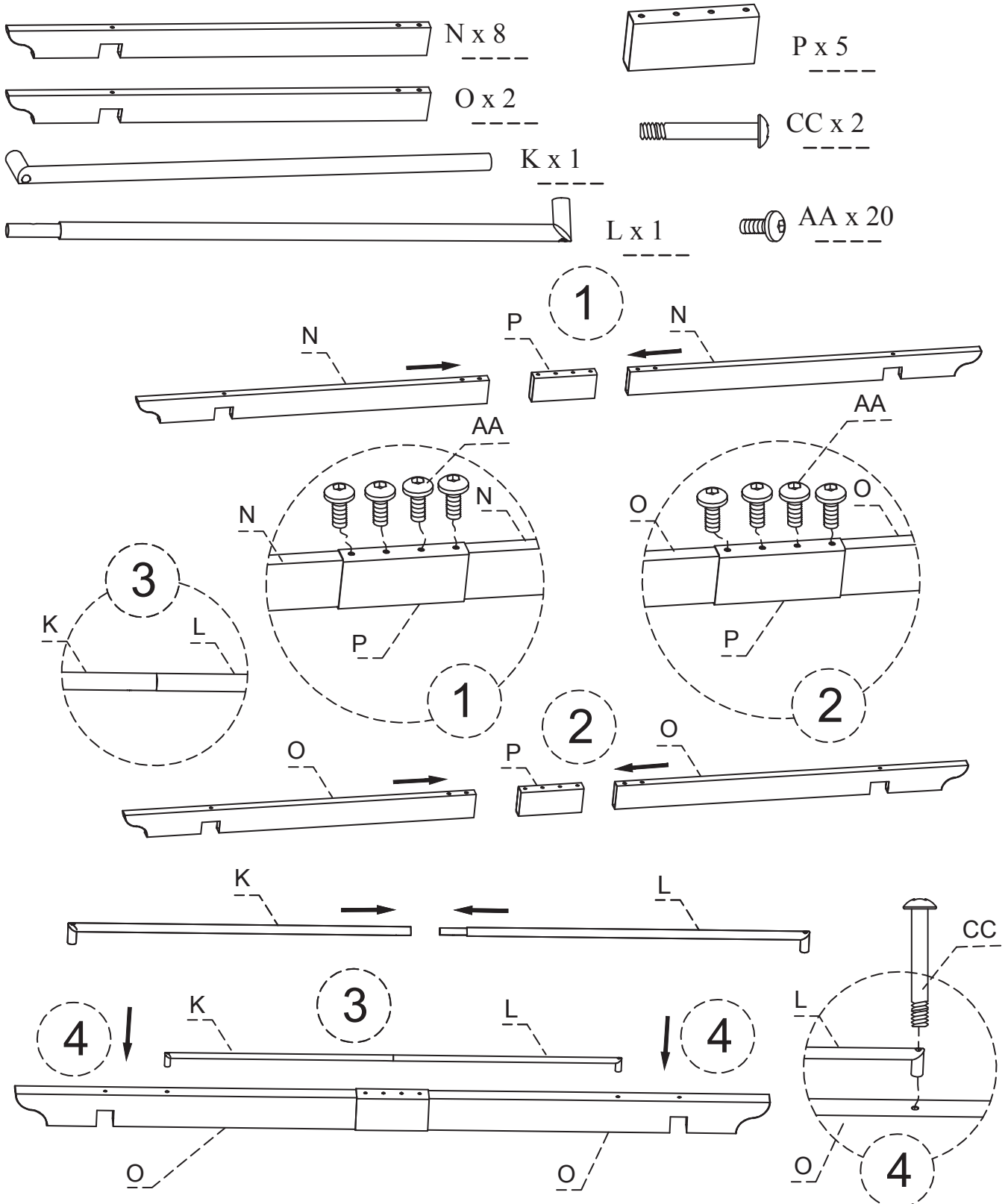


Assembly Instructions

8. Insert roof tube (N) in between roof outer connector (P) and secure by bolts (AA) as figure 1 shown below. Please repeat this step for all remaining fixed tube.

Insert roof tube (O) in between roof outer connector (P) and secure by bolts (AA) as figure 2 shown below. Put fixed tube (K, L) together then secure assembled fixed tube (K, L) and assembled roof tube with bolt (CC) as figure 1 shown below.

Tighten all the screws after all on position.

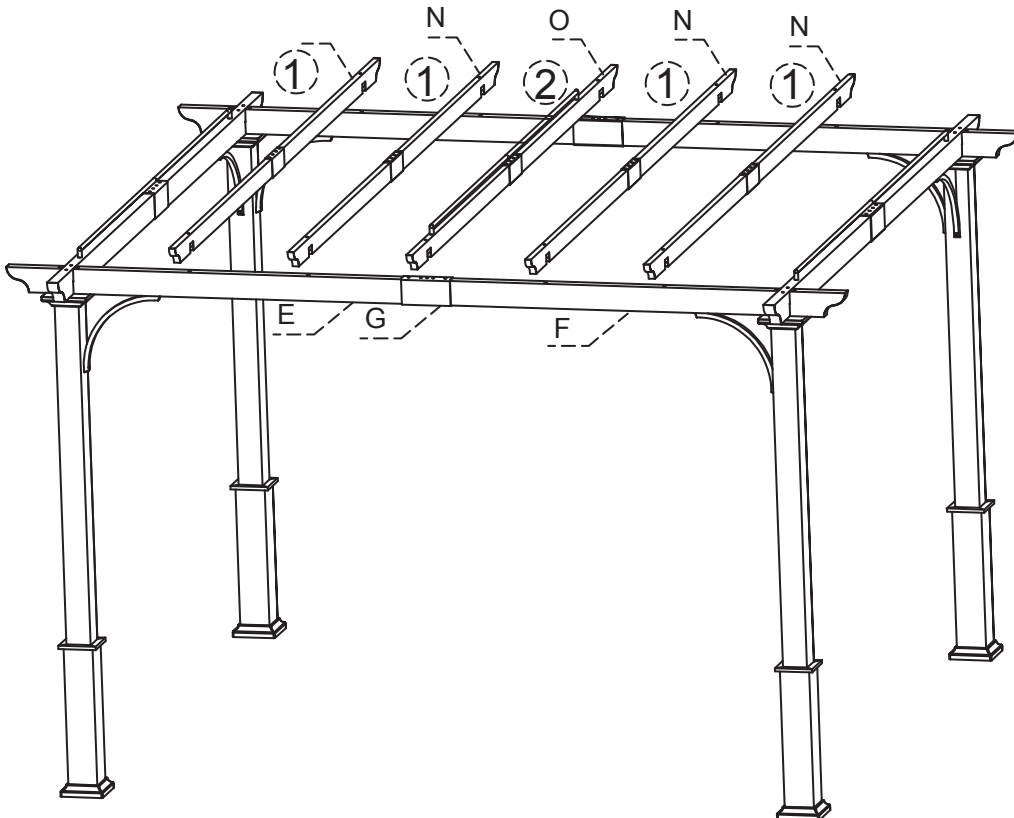
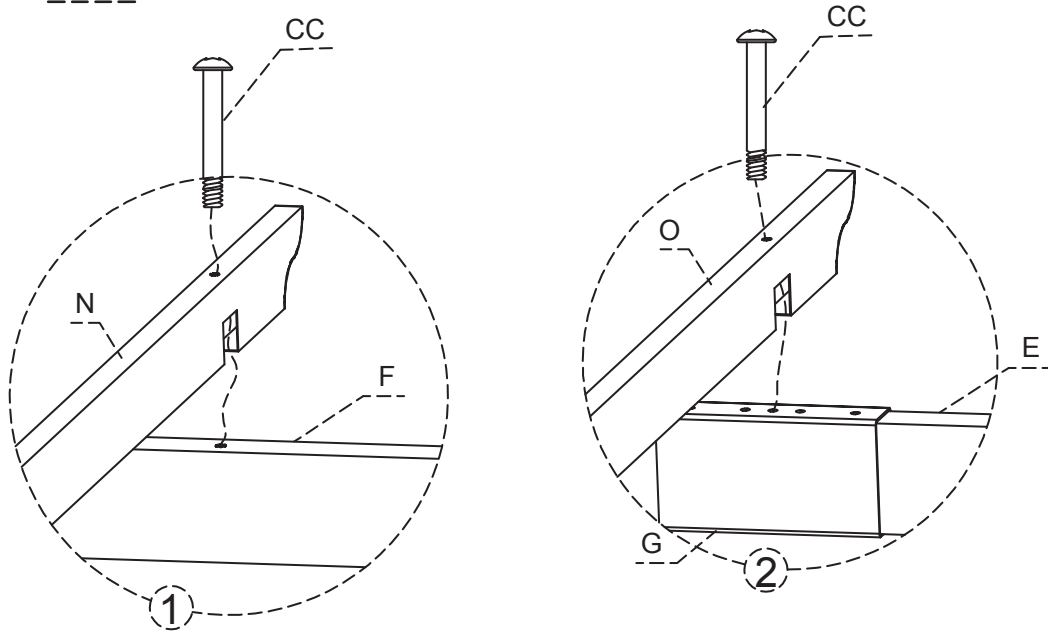


Assembly Instructions

9. Secure assembled roof tube (O) in the center top of shelter with bolt (CC) as figure 2 shown below.

Secure assembled roof tube (N) in between long crossbar with bolt (CC) as figure 1 shown below. Repeat this step for remaining roof tube.

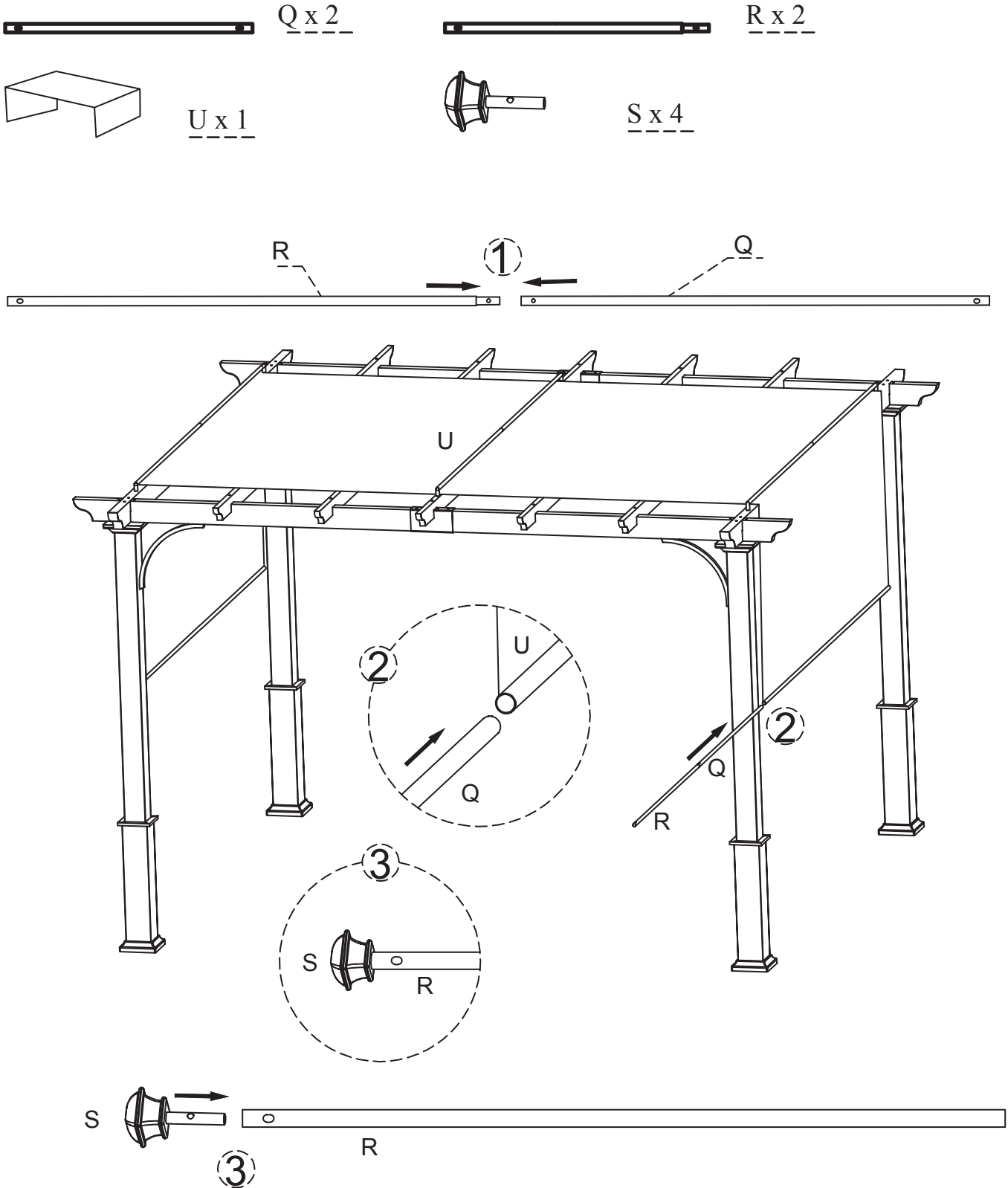
Tighten all the screws after all on position.



Assembly Instructions

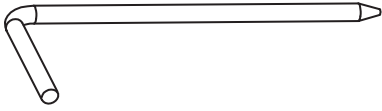
10. Put the canopy tube (R, Q) together. Then place the canopy on the top of shelter and go through in between roof tube and fixed tube.

Insert canopy tube into each side of canopy and secure by finial (S).

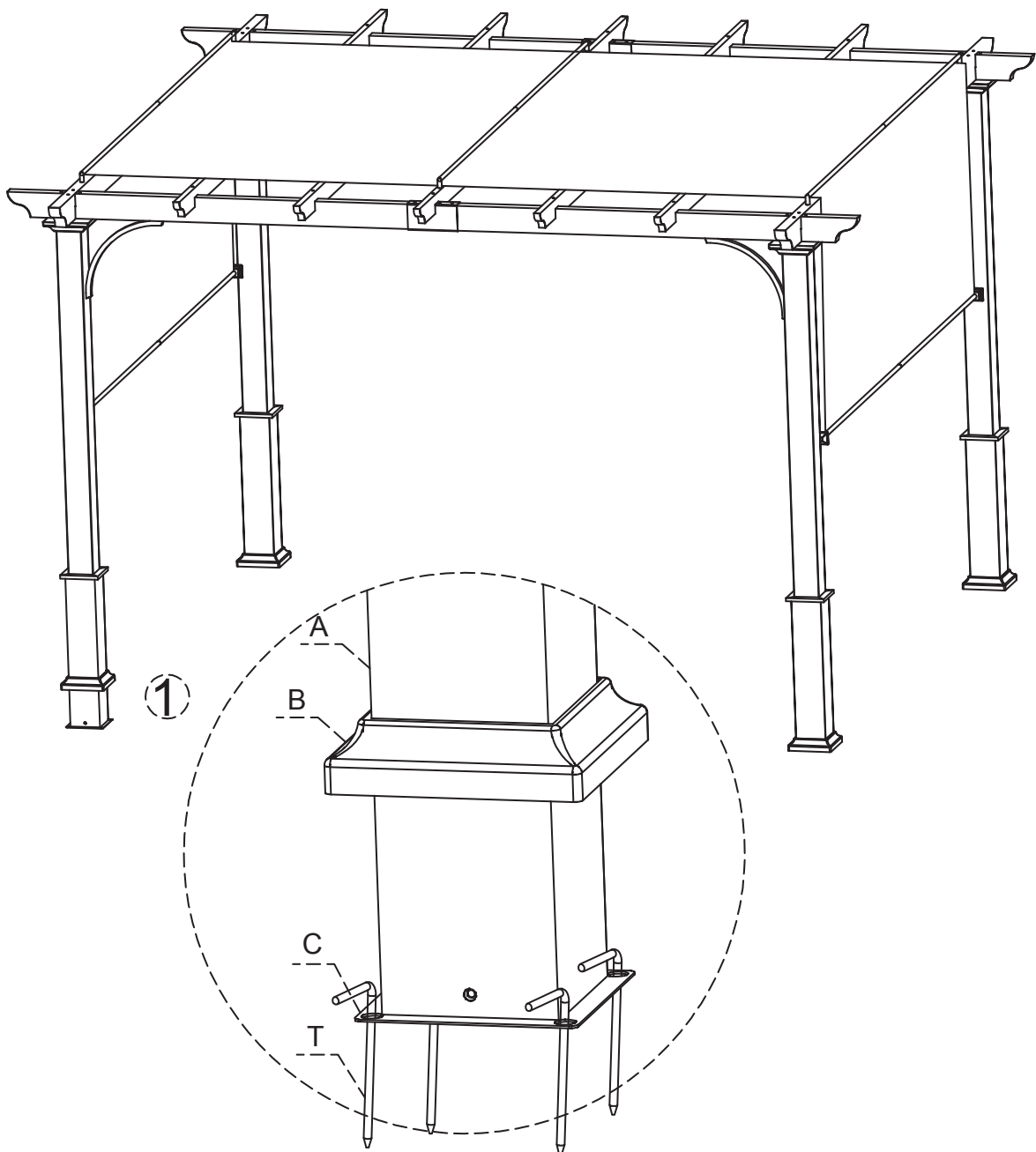


Assembly Instructions

11. Raise base cap (B) and place stakes (T) through flange (C) into the ground.



Q x 16





BOND VAST INDUSTRIAL LIMITED



No. 174 Ding Tan Pi Tan Vill Lutsao Hsiang, Chla Yi Hsien, Tai Wan, ROC

FAX: 886-5-3651 522

CUSTOMER SERVICE HOT LINE: 1-800-961-9838

SERVICE HOURS: MONDAY - FRIDAY 9:00AM - 5:00PM (PACIFIC TIME)

E-MAIL: CUSTOMERSERVICE@BONDVAST.COM

sears

Please refer to part numbers when reordering

For questions or comments about product:

Email: customerservice@bondvast.com or Call toll-free: 1-800-961-9838

Made in / Hecho en CHINA

Distributed by Sears, Roebuck and Co., Hoffman Estates, IL 60179

sears.com

See our extensive assortment of outdoor living products
on-line at www.sears.com and www.kmart.com