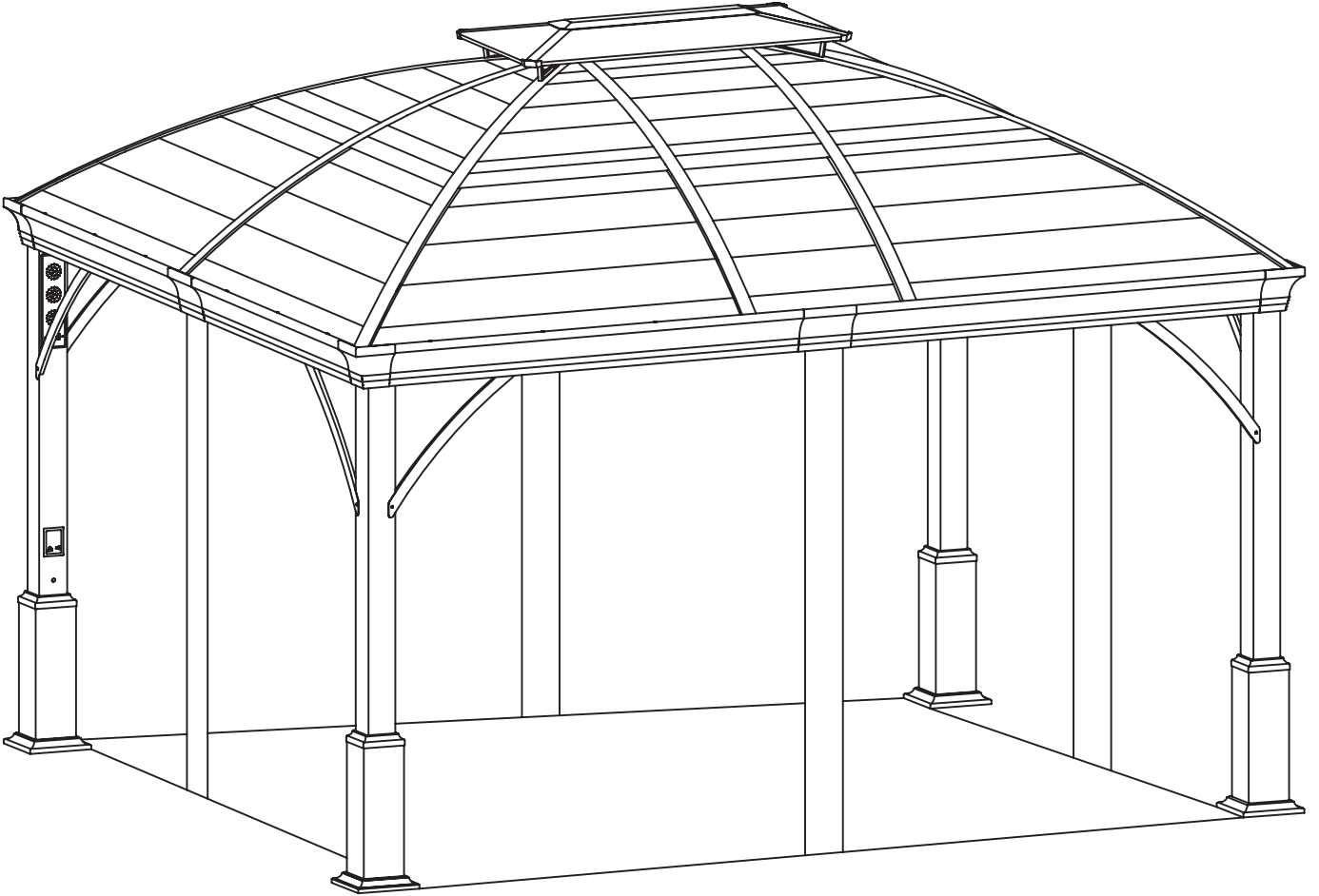

GRAND RESORT®



Use and Care Guide

10 x 12 Hardtop with High Quality Audio and Galvalume

Product Code: D71 M20509

KSN: 0-08769292-7

UPC Code: 749241315930

Date of purchase: ____/____/____



Thank you for your purchase

Thank you for your purchase!

We are pleased that you have chosen Sears for your outdoor furniture purchase. We hope that you enjoy the unmatched quality, comfort, and style of your new patio set. Every piece is meticulously considered all the way down to the smallest details, exclusively for you, by our world class design team. We know you have a choice when it comes to your patio furniture needs, so from our team to yours, thank you for letting us be a part of your outdoors.

Table of contents

Table of Contents	2
Safety Information	3
Set Up your Shelter Properly	3
Examine your Shelter	3
Warranty	3
Excluded	3
Service Center	3
Care and Maintenance	4
Pre-Assembly	5
Hardware Included	5
Package Contents	6
Assembly Instructions	11
Customer Service	39

Safety Information

SET UP YOUR SHELTER PROPERLY

- Please read and understand this entire manual before attempt to assemble, operate, or install the product.
- If any part is missing or damaged. Do not attempt to assemble the product.
- Two to four people are needed for assembly.
- In order to avoid damage to the gazebo and its components please use appropriate tools.
- Do not use the structure as support.
- Check all bolts on a regular basis to maintain the solidity of the structure.
- Keep instructions for future use.
- Approximate time: 2 – 3 hours

EXAMINE YOUR SHELTER

- Examine occasionally to ensure there are no loose parts. If loose parts are found, they should be retightened immediately.

Warranty

1 YEAR WARRANTY FOR FRAME AND FABRIC

Limited warranty is applicable on parts only. Warranty extends solely to the original purchaser who must offer original sales receipt for record.

WHAT IS COVERED

Limited warranty is applicable on parts only. We warranty to the original purchase for one year limited from the date of purchase that the frame, fabric, speaker, audio controller and AC adapter will be free from manufacturing defects.

WHAT IS NOT COVERED

Product used for commercial, contract, or other non-residential purposes, or damage due to acts of nature, vandalism, misuse, or improper assembly is not covered. Corrosion or rusting of hardware is not covered. Warranty is to the original purchaser and is non-transferable. Any replacement of warranted items will be in the original style and color, or a similar style and color if the original is unavailable or has been discontinued.

SERVICE CENTER

The purchaser must contact our customer service center directly if this product is found to be defect in material or workmanship. The manufacturer, as its option, will repair or replace the defectives parts.

Please contact us via 1-800-961-9838, 9AM-5PM, Pacific Time Zone, Monday-Friday, or customerservice@bondvast.com

Care and Maintenance

- For cleaning, use a mild detergent solution and rinse with water. Do not use acetone abrasive or others special detergents to clean and air dry only.
- Due to the nature of steel, surface oxidation (rusting) will occur if this protective coating is scratched. This is a natural process. To minimize this condition, it is recommended that care be taken when assembling and handling the product in order to prevent the paint from being scratched.

Warning

WARNING: KEEP ALL FLAME AND HEAT SOURCES AWAY FROM THIS TENT FABRIC.

The tent meets the flammability requirements of CPAI-84. The fabric may burn if left in continuous contact with any flame source. The application of any foreign substance to the tent fabric may render the flame-resistant properties ineffective.

SPECIAL CARE SHEET:

Do NOT use the AC adapter during precipitation or inclement weather. Do NOT leave the AC adapter outside, place and store in dry place. Keep the AC adapter away from babies and children.

Please always keep the speaker cover on the right position, the speaker is waterproof.

When NOT using period of time, please turn off the power switch and unplug the AC adapter.

Please connect all cables securely before plugging in power cable into power outlet.

All the parts are special design for this product only, changes or modifications not approved by the party responsible for compliance could void the user's authority to operate the equipment. The manufacture will not be held liable for any direct, indirect, incidental or consequential damages.

Pre-Assembly

PLANNING ASSEMBLY

To prevent damage, place all parts on a soft surface during assembly.

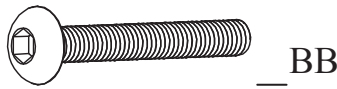
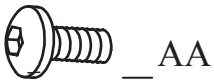
Tools required for assembly (not included): Allen wrench (included), a screwdriver, stepladder (min. 5ft.) and other safety items such as gloves, safety eyewear, and hardhat. To avoid injury from exposed sharp edges, it may be necessary to use the above safety equipment.

Do not leave it unattended if not fully assembled even if bolted to the ground.

HARDWARE INCLUDED



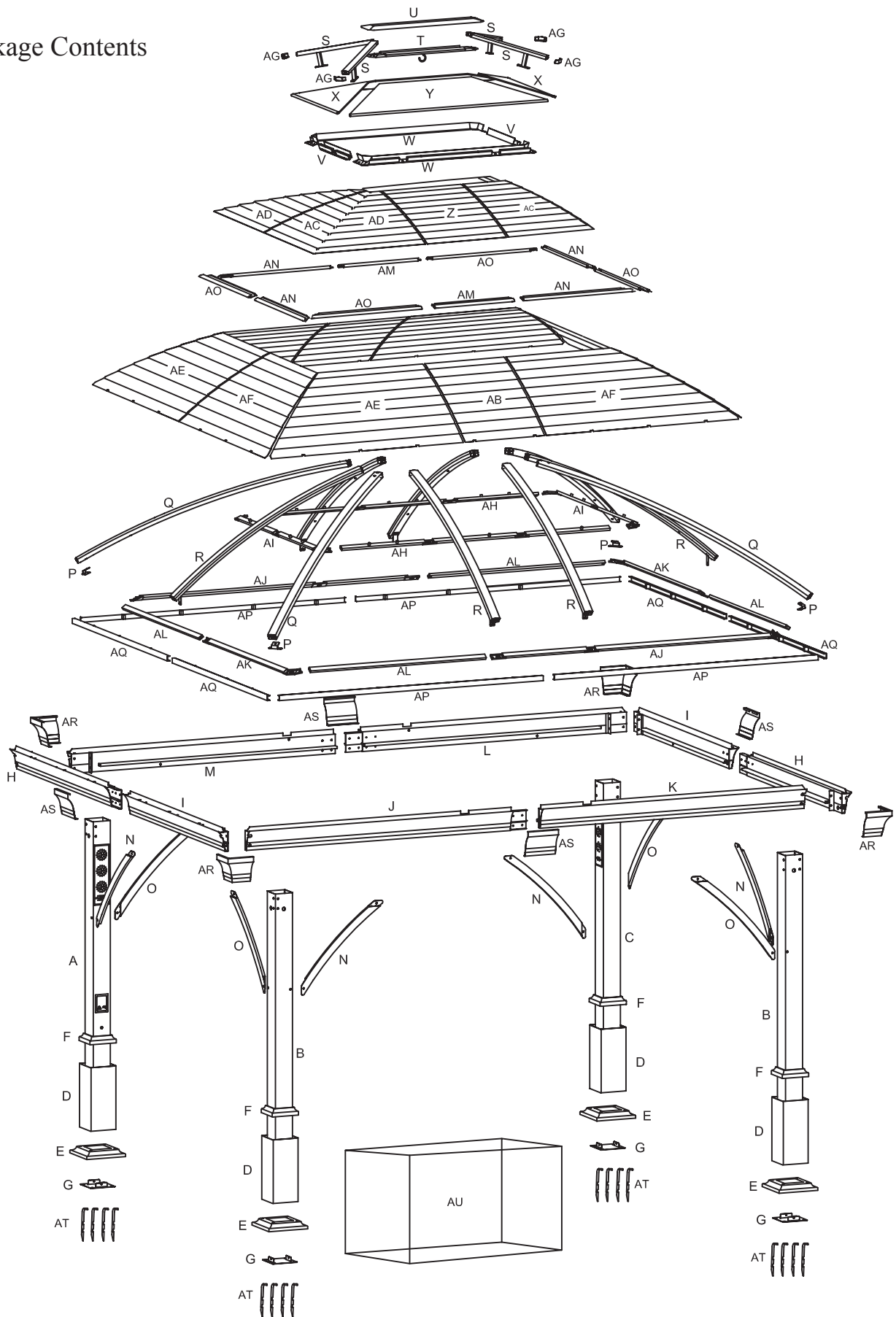
NOTED: Hardware not shown to actual size.



Part	Description	Size	QTY.
AA	BOLT	(Φ 6 x 15mm)	214
BB	BOLT	(Φ 6 x 40mm)	28
CC	ALLEN WRENCH		1

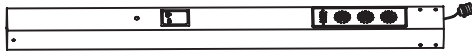
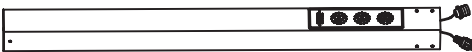
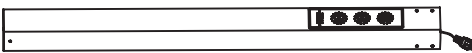

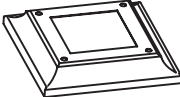
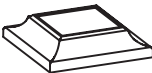








Pre-Assembly (continued)

Package Contents



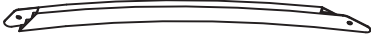
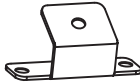









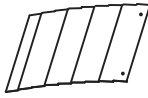
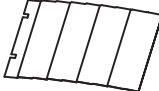

Pre-Assembly (continued)

Package Contents

PART	DESCRIPTION	QTY.	ILLUSTRATION
A	Post A (with switch and speaker preassembled)	1	
B	Post B (speaker preassembled)	2	
C	Post C (speaker preassembled)	1	
D	Bottom Post	4	
E	Base Cap	4	
F	Upper Cap	4	
G	Base Flange	4	
H	Short Crossbar (with wires)	2	
I	Short Crossbar (with wires)	2	
J	Long Crossbar (with wires)	1	
K	Long Crossbar (with wires)	1	
L	Long Crossbar	1	
M	Long Crossbar	1	
N	Support Tube 1	4	


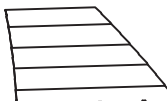
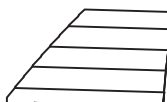











Pre-Assembly (continued)

Package Contents

PART	DESCRIPTION	QTY.	ILLUSTRATION
O	Support Tube 2	4	
P	Center Connector	4	
Q	Corner Roof Tube	4	
R	Roof Tube	6	
S	Air Vent Tube	4	
T	Roof Connector	1	
U	Roof Cap	1	
V	Air Vent Support Bar	2	
W	Air Vent Support Bar	2	
X	Air Vent Panel	2	
Y	Air Vent Panel 2	2	
Z	Upper roof Panel	2	
AB	Lower Roof Panel	2	
AC	Upper Roof Panel	4	







Pre-Assembly (continued)

Package Contents

PART	DESCRIPTION	QTY.	ILLUSTRATION
AD	Upper Roof Panel	4	
AE	Lower Roof Panel	4	
AF	Lower Roof Panel	4	
AG	Air Vent Corner Connector	4	
AH	Upper Support Tube	2	
AI	Upper Support Tub	2	
AJ	Bottom Support Tube	2	
AK	Bottom Support Tube	2	
AL	Bottom Support Tube	4	
AM	Center Support Tube	2	
AN	Center Support Tube	4	
AO	Center Support Tube	4	
AP	Inner Tube 1	4	
AQ	Inner Tube 2	4	

Pre-Assembly (continued)

Package Contents

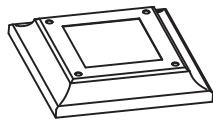
PART	DESCRIPTION	QTY.	ILLUSTRATION
AR	Eave Corner Connector	4	
AS	Eave Center Connector	4	
AT	Stake	16	
AU	Netting	1	
AV	AC Adapter	1	
AW	Connection Wire	1	

Assembly Instructions

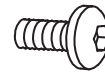
1. Secure Base Cap (E) with Bottom Post (D) by Bolt (AA).
Fully tighten once all bolts in position.



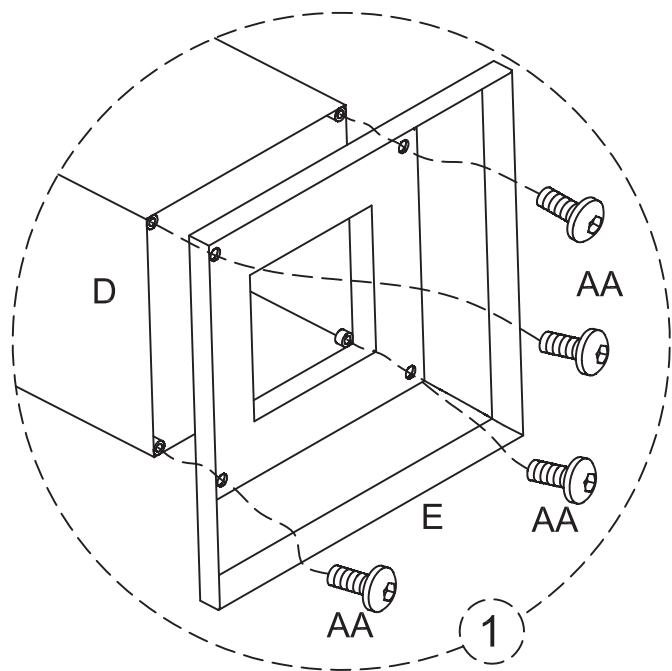
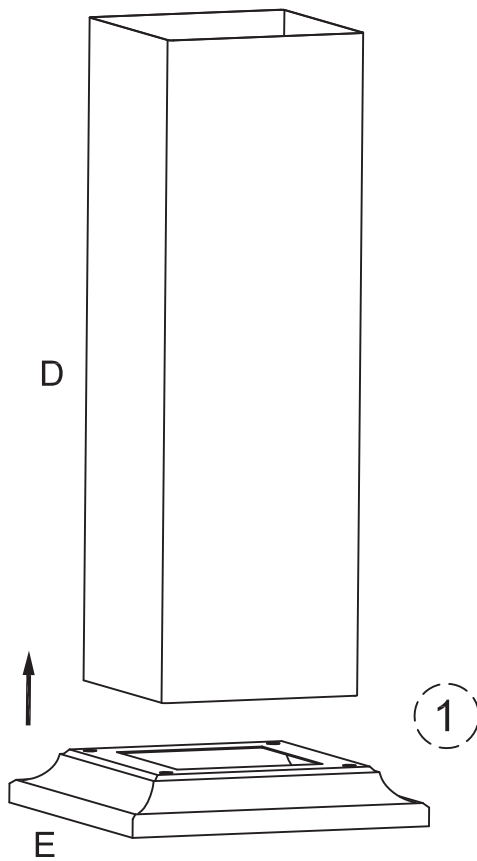
D x 4



E x 4

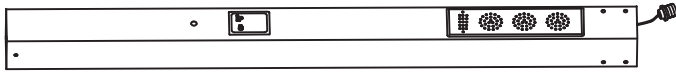


AA x 16

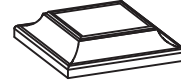


Assembly Instructions

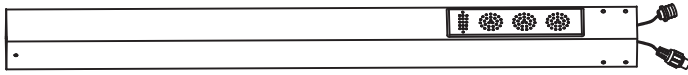
2. Insert Upper Cap (F) and Bottom Post (D) into Post (A) / (B) / (C), then using Bolt (AA) secure Base Flange (G) on the bottom of Post (A) / (B) / (C). Fully tighten once all bolts on position.



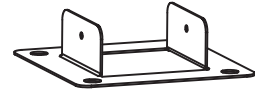
A x 1



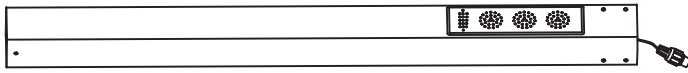
F x 4



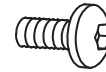
B x 2



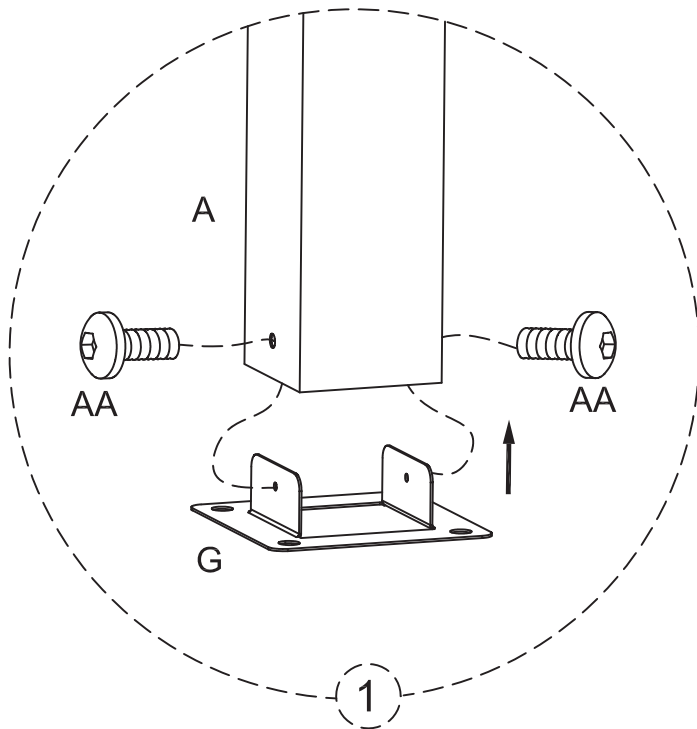
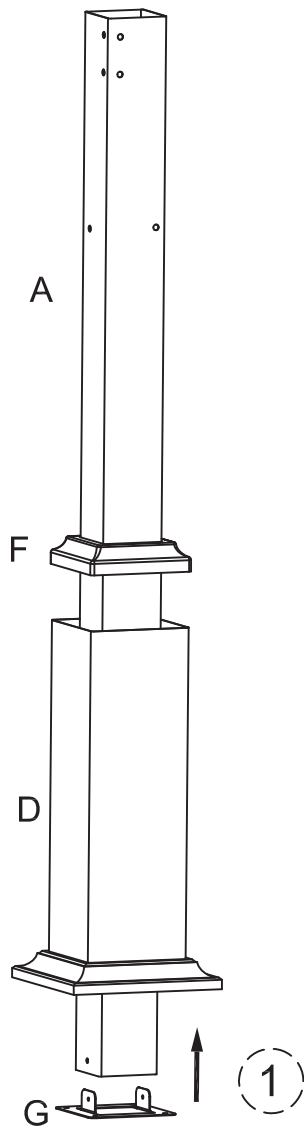
G x 4



C x 1

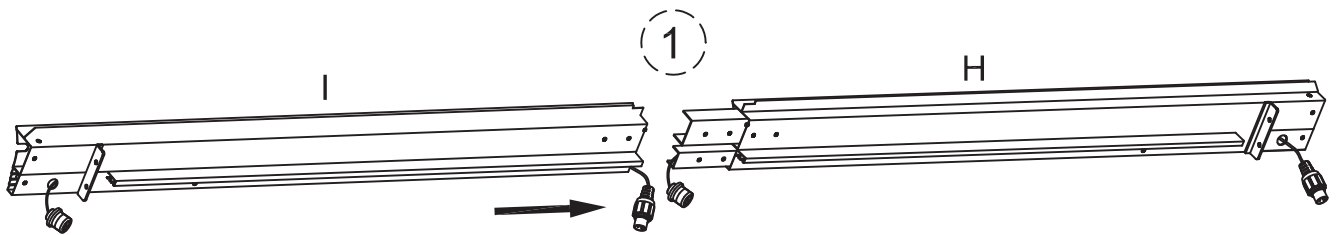
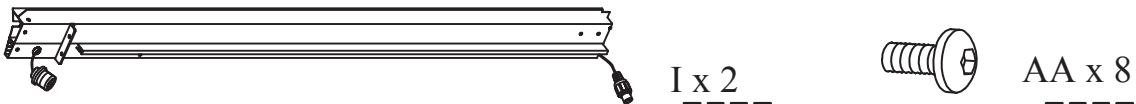
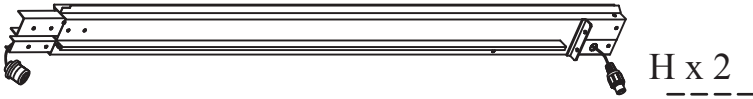


AA x 8

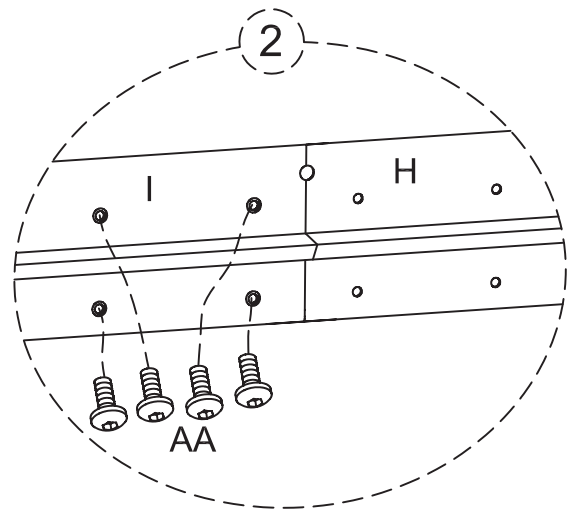
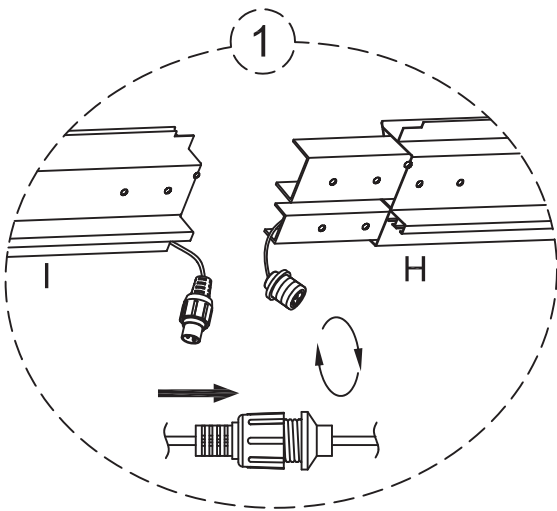


Assembly Instructions

3. Connect wires in same color, then insert Short Crossbar (I) into Short Crossbar (H) secure by Bolts (AA).
Fully tighten once all bolts in position.



Warning: Please connect wires softly and slowly.



Assembly Instructions

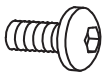
4. Connect wires in same color, then insert Long Crossbar (J) into Long Crossbar (K) secure by Bolts (AA). Fully tighten once all bolts on position.



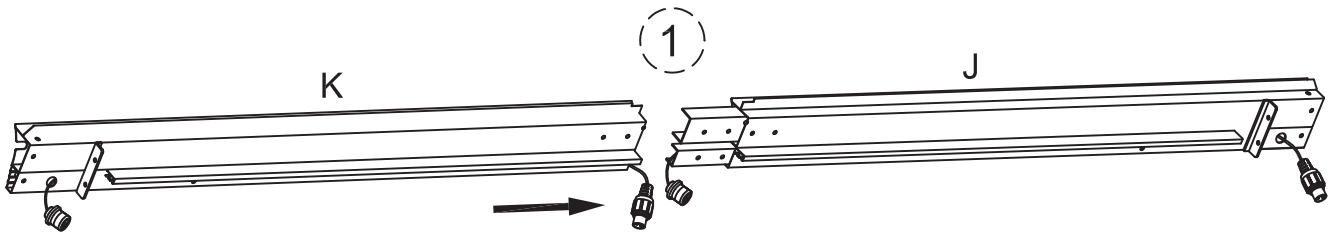
J x 1



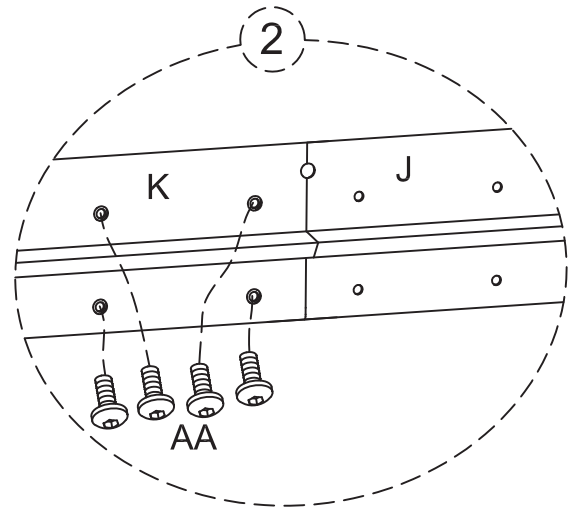
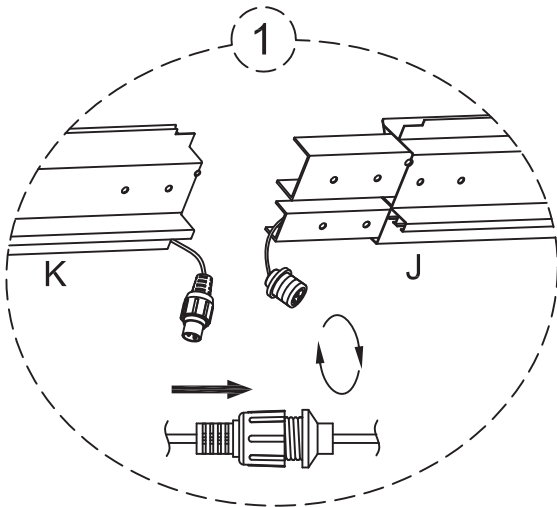
K x 1



AA x 4



Warning: Please connect wires softly and slowly.



Assembly Instructions

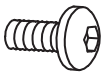
5. Insert Long Crossbar (M) into Long Crossbar (L) secure by Bolt (AA). Tighten all up when all the bolts in position.
Fully tighten once all bolts in position



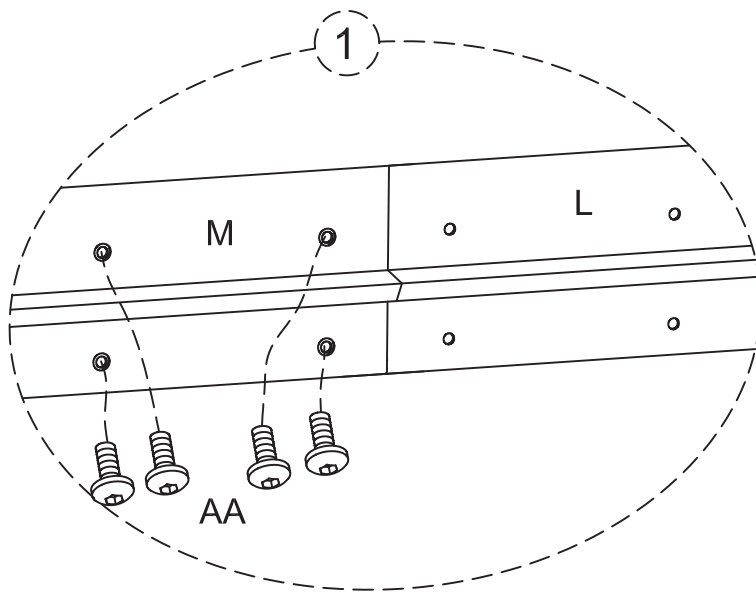
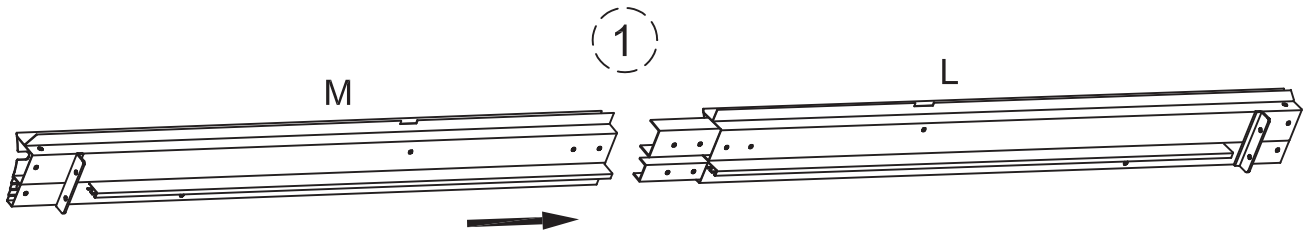
L x 1



M x 1



AA x 4

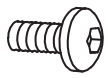


Assembly Instructions

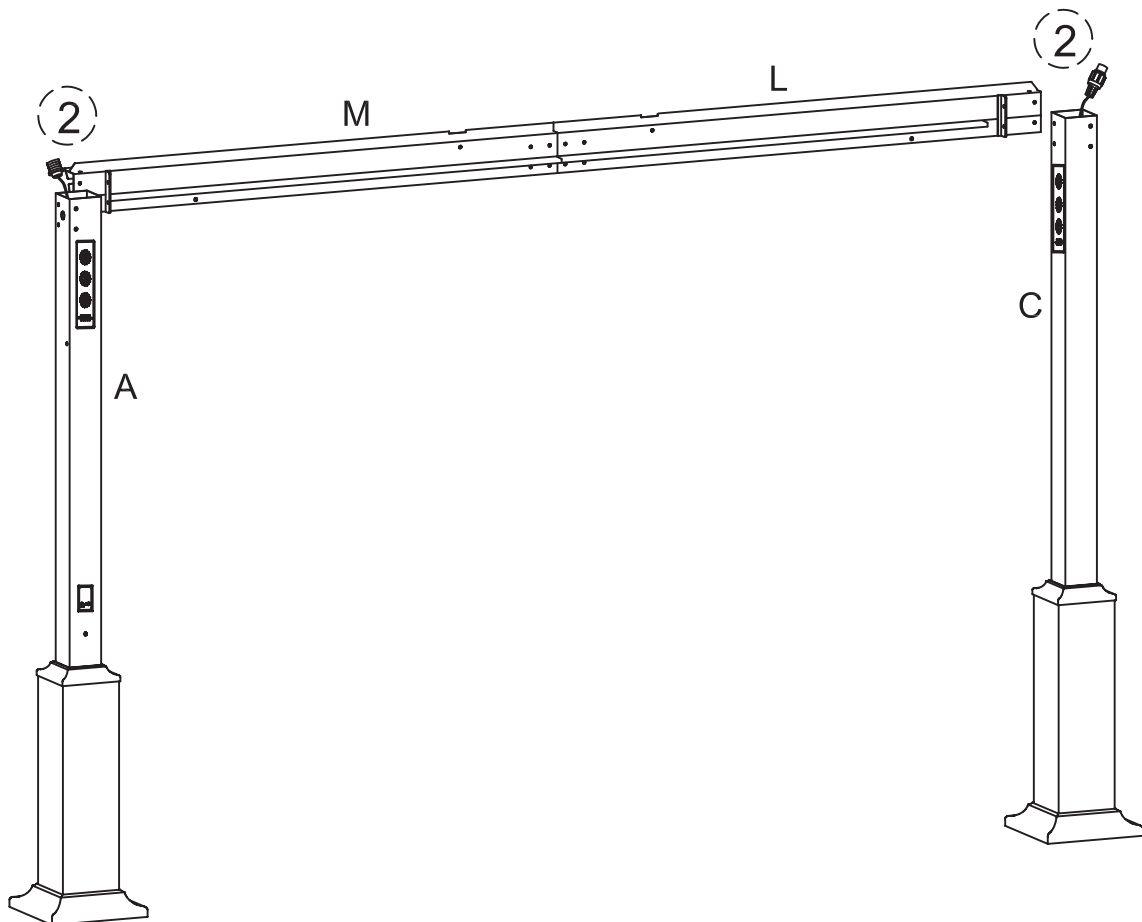
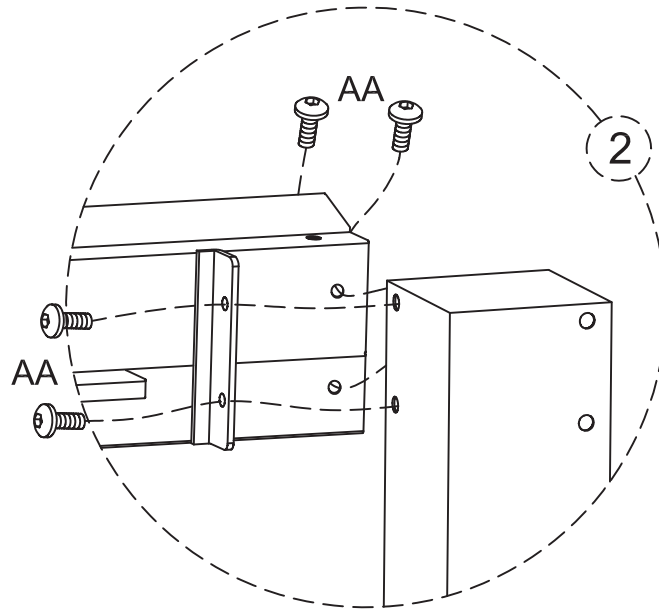
6. Connect all wires in same color and secure Long Crossbar (L) / (M) on Post (A) / (C) by Bolts (AA) (see figure 2).

Warning: Please connect wires softly and slowly.

Fully tighten once all bolts in position.

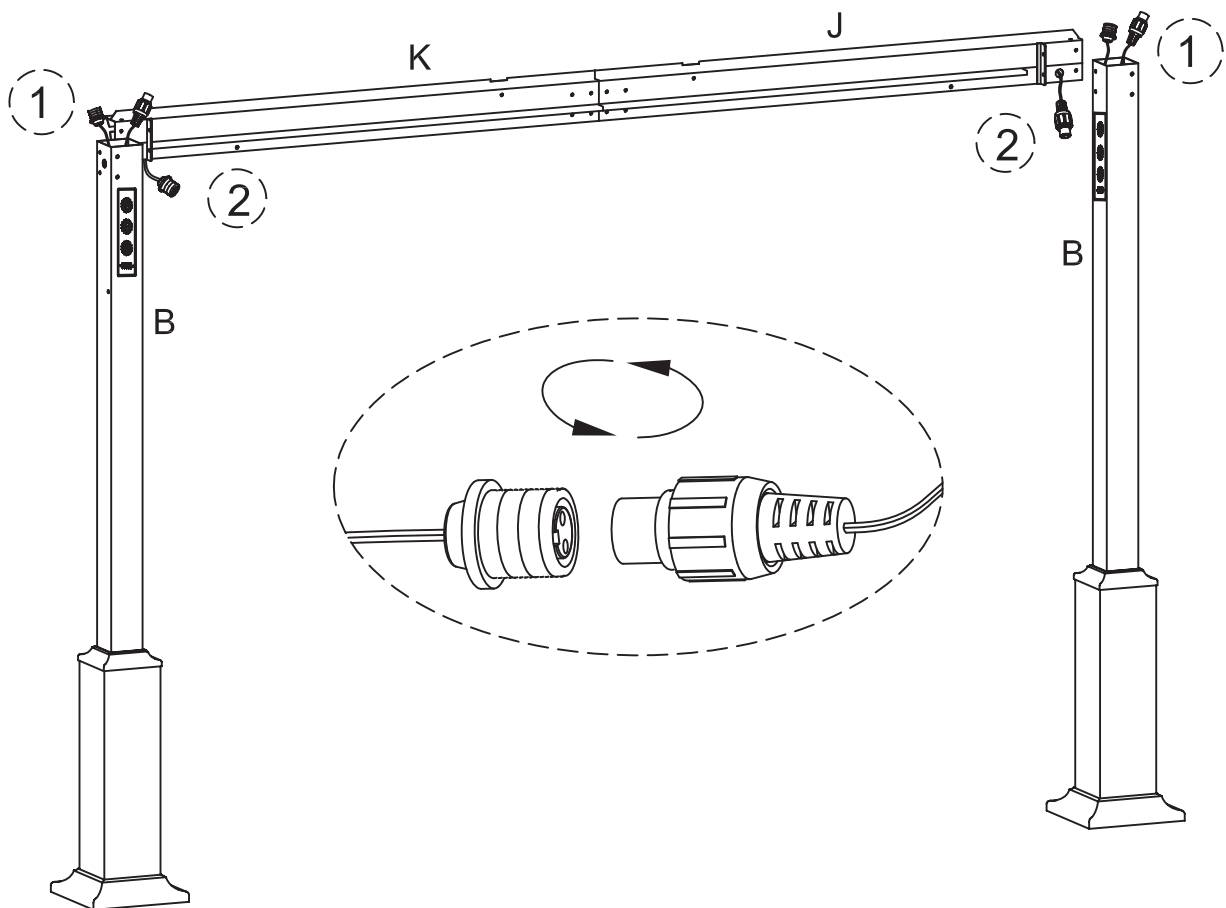
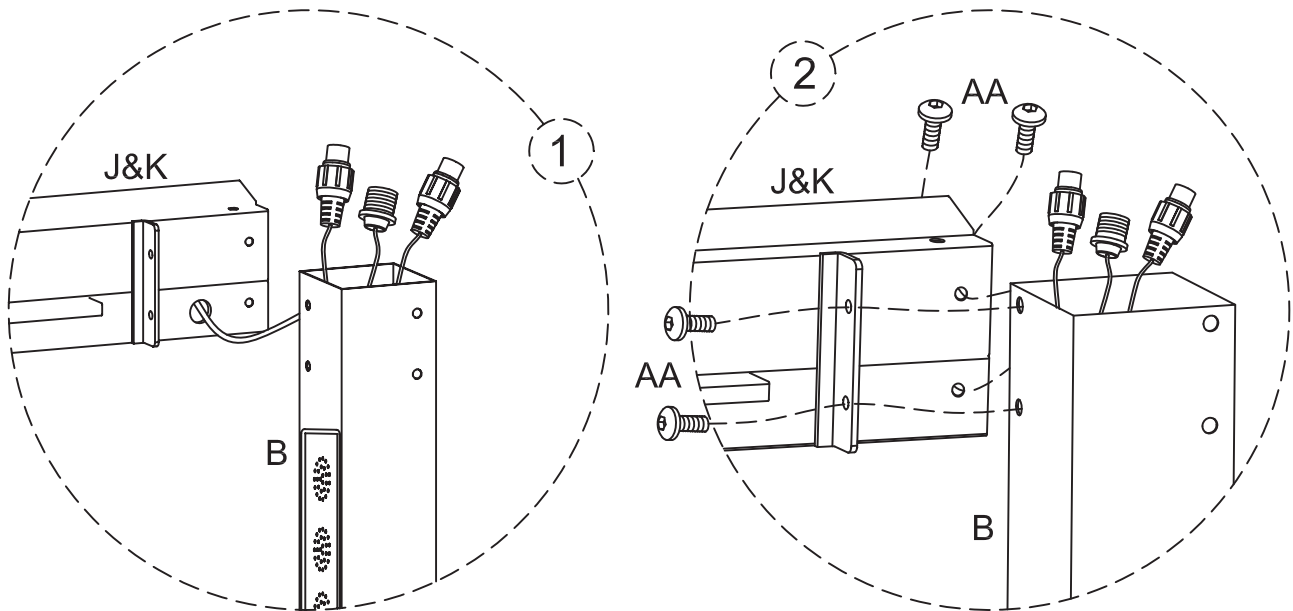


AA x 8



Assembly Instructions

7. Connect all wires in same color (see figure 1) and secure Long Crossbar (J) / (K) on Post (B) by Bolts (AA) (see figure 2).
Please connect wires softly and slowly. Fully tighten once all bolts in position.

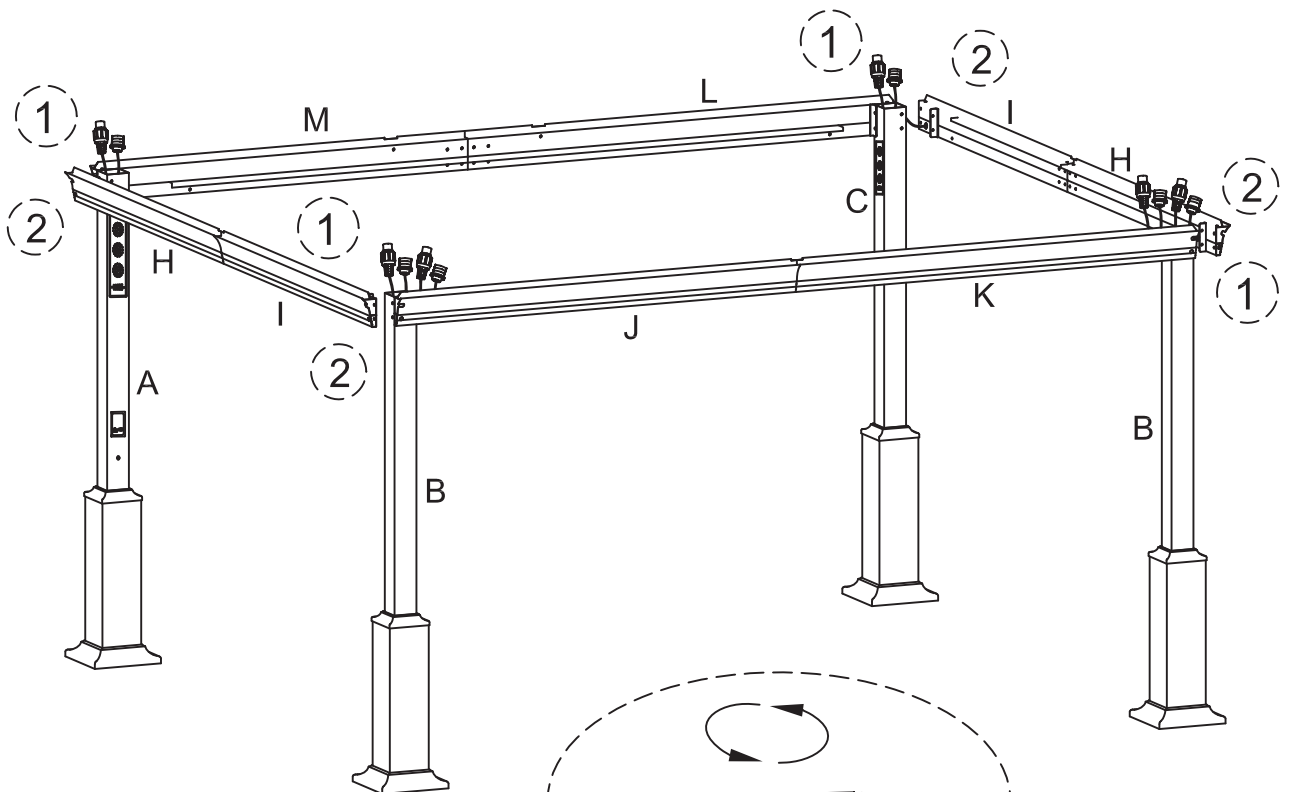
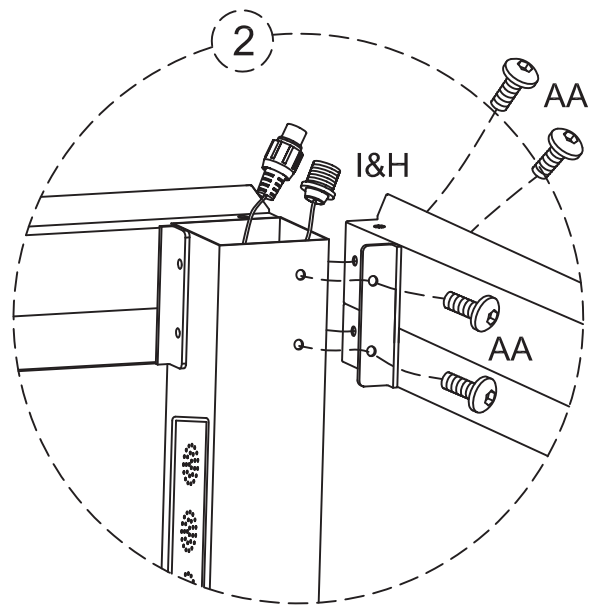
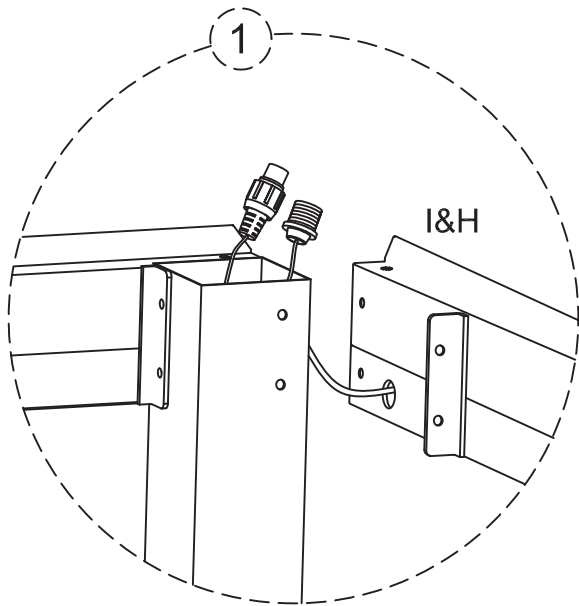


Assembly Instructions

8. Insert wires on Short Crossbar (H) / (I) into post (A) / (B) / (C) (see figure 1) and use Bolts (AA) secure Short Crossbar (H, I) on Post (A) / (B) / (C) (see figure 2).

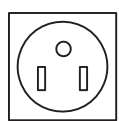
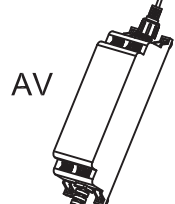
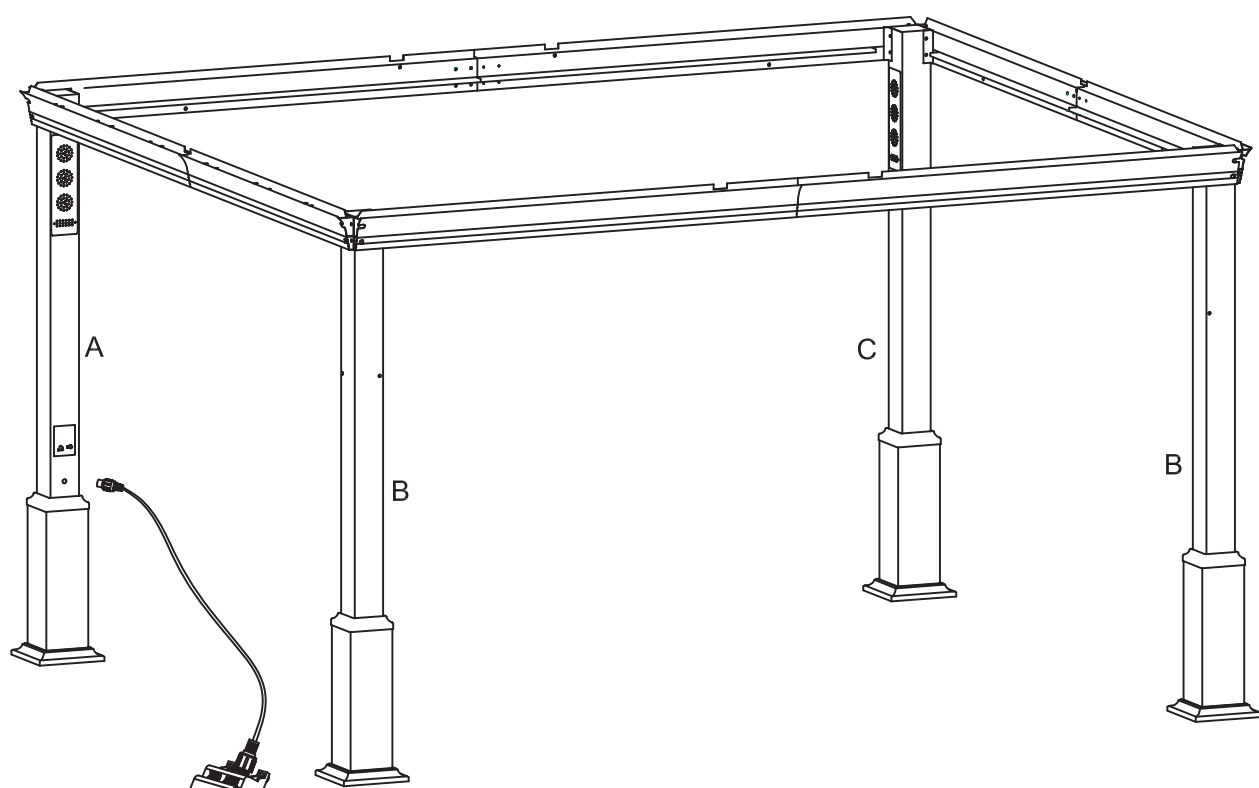
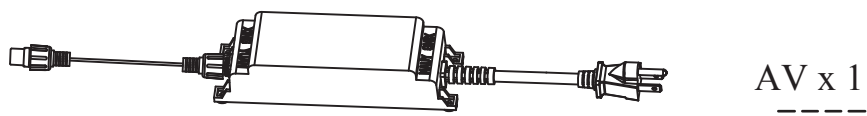
Warning: Please connect wires softly and slowly.

Fully tighten once all bolts in position.

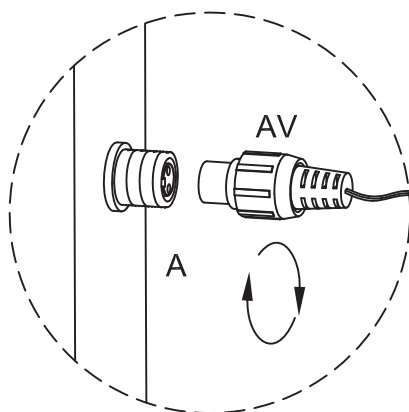


Assembly Instructions

9. Connect AC Adapter (AV) to Post (A) and turn on the switch for testing (If it does not work please check all the wires again.) Then disconnect AC Adapter (AV) for next step.

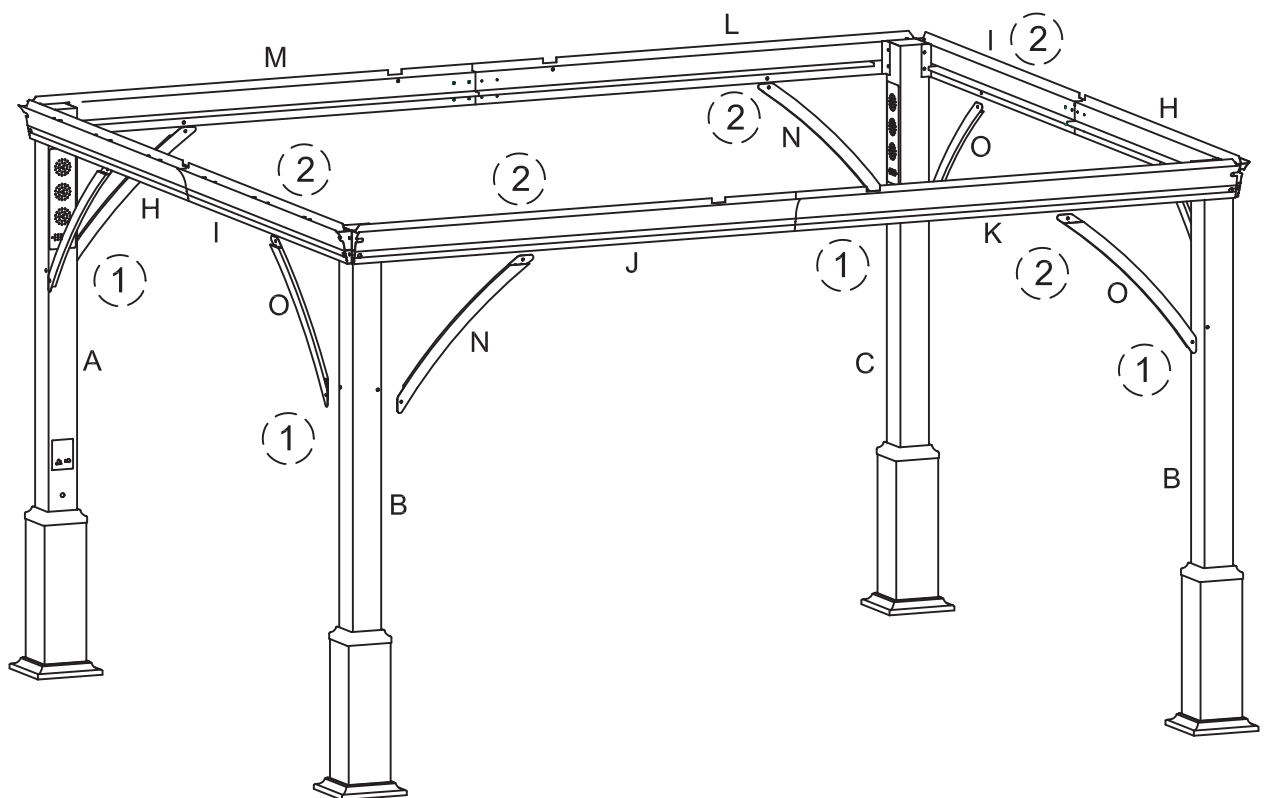
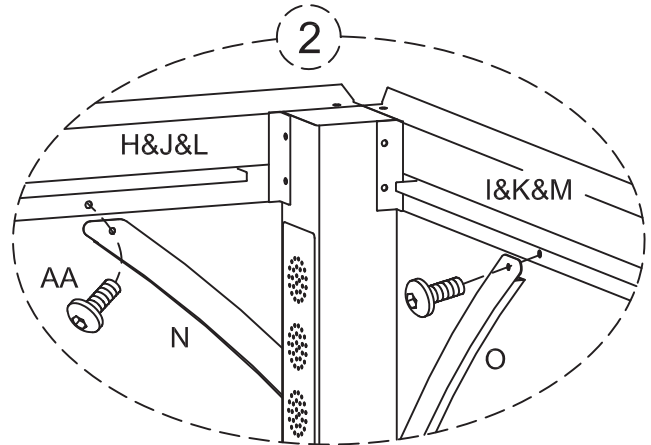
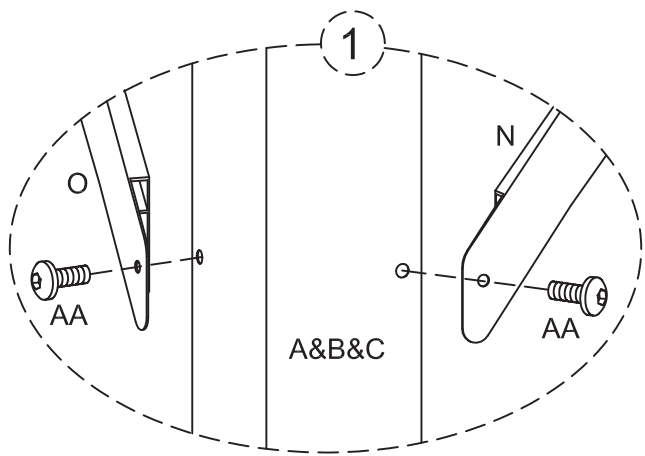


ELECTRIC OUTLET



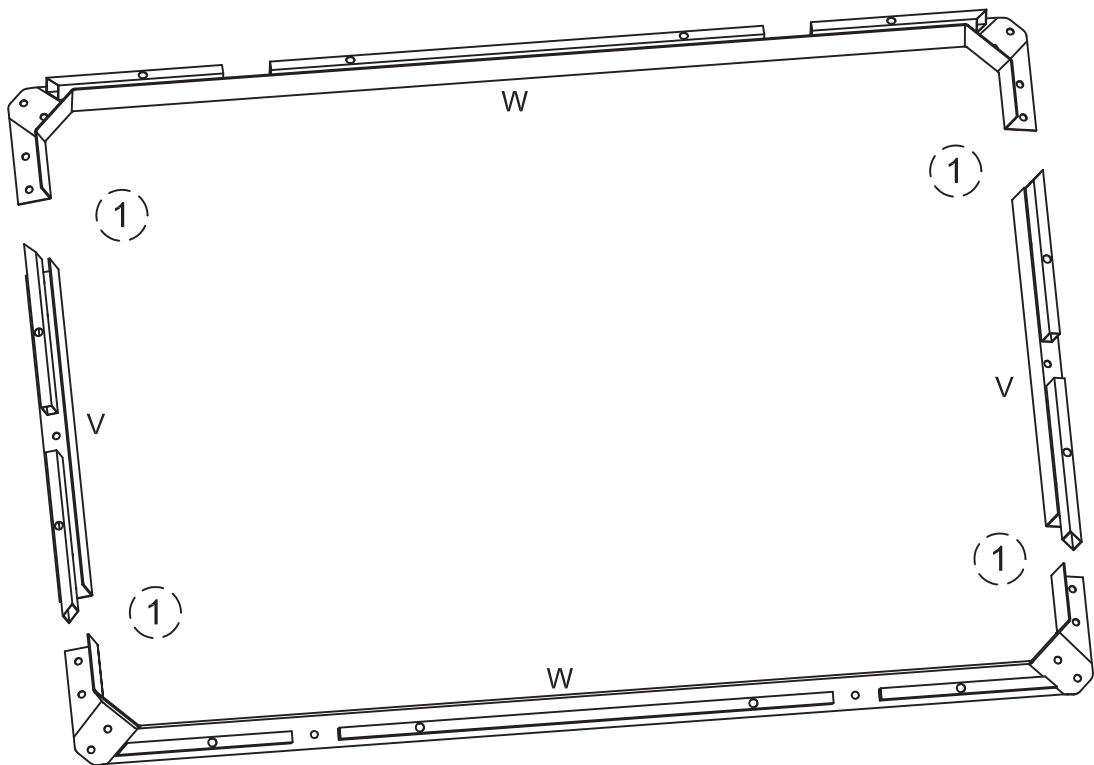
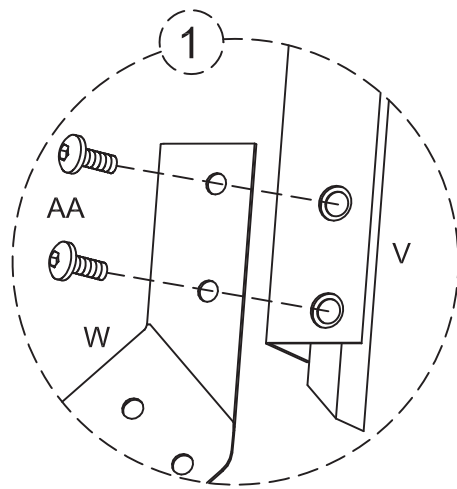
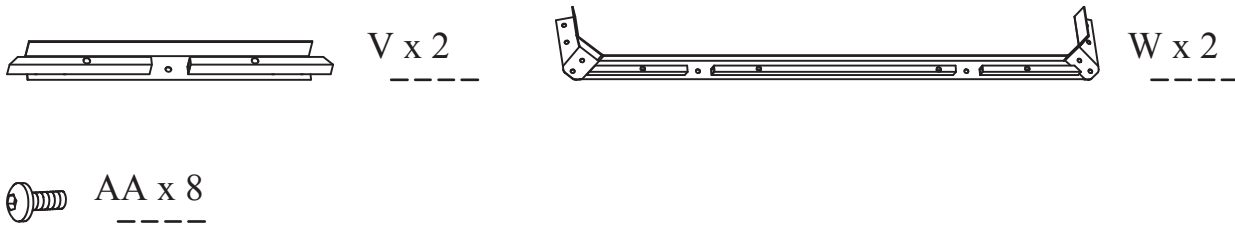
Assembly Instructions

10. Use Bolt (AA) secure Support Tube (N) / (O) in between Post (A) / (B) / (C) and Crossbar (H) / (I) / (J) / (K) / (L) / (M). Fully tighten once all bolts in position.



Assembly Instructions

11. Use Bolt (AA) secure Air Vent Support Bar (W) with Air Vent Support Bar (V).

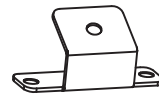


Assembly Instructions

12. Use Bolt (AA) secure Center Connector (P) with Corner Roof Tube (Q) underneath (see figure 1). Use Bolts (AA) secure Air Vent Support Bar (W) on Corner Roof Tube (Q) underneath (see figure 2).

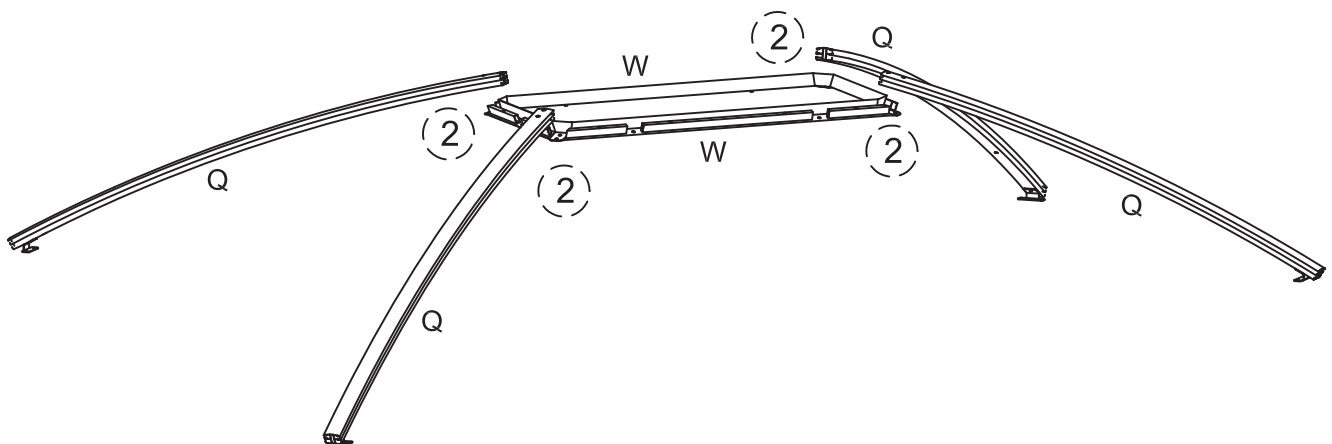
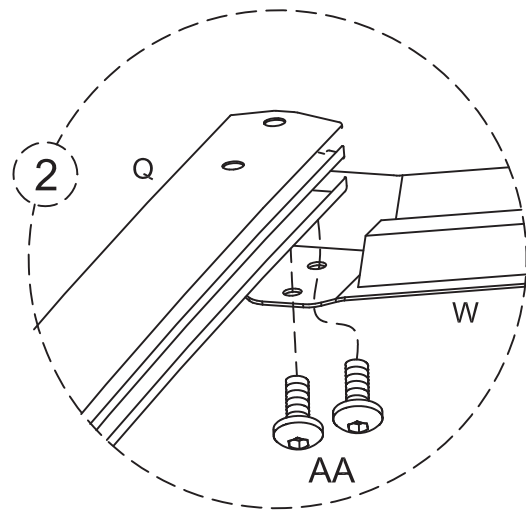
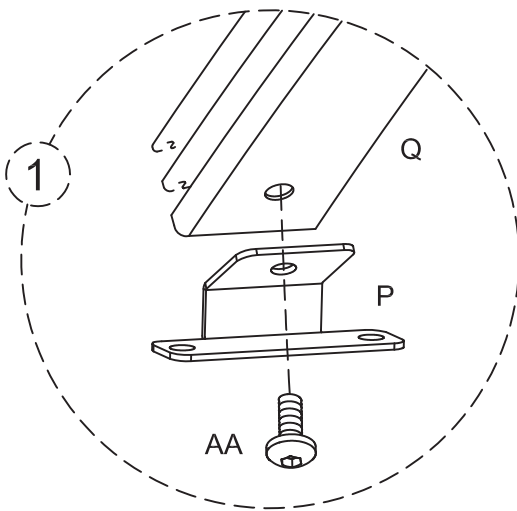
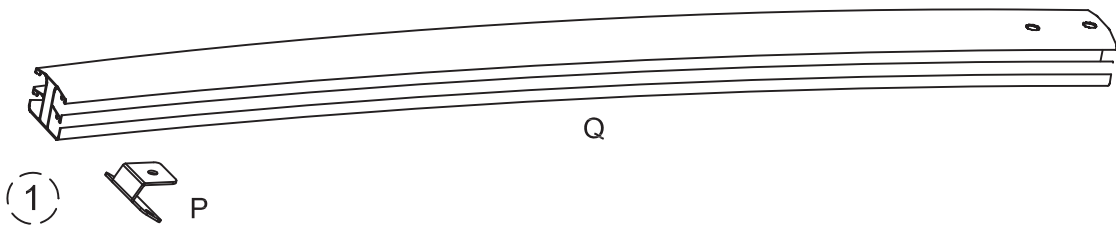


Q x 4



P x 4

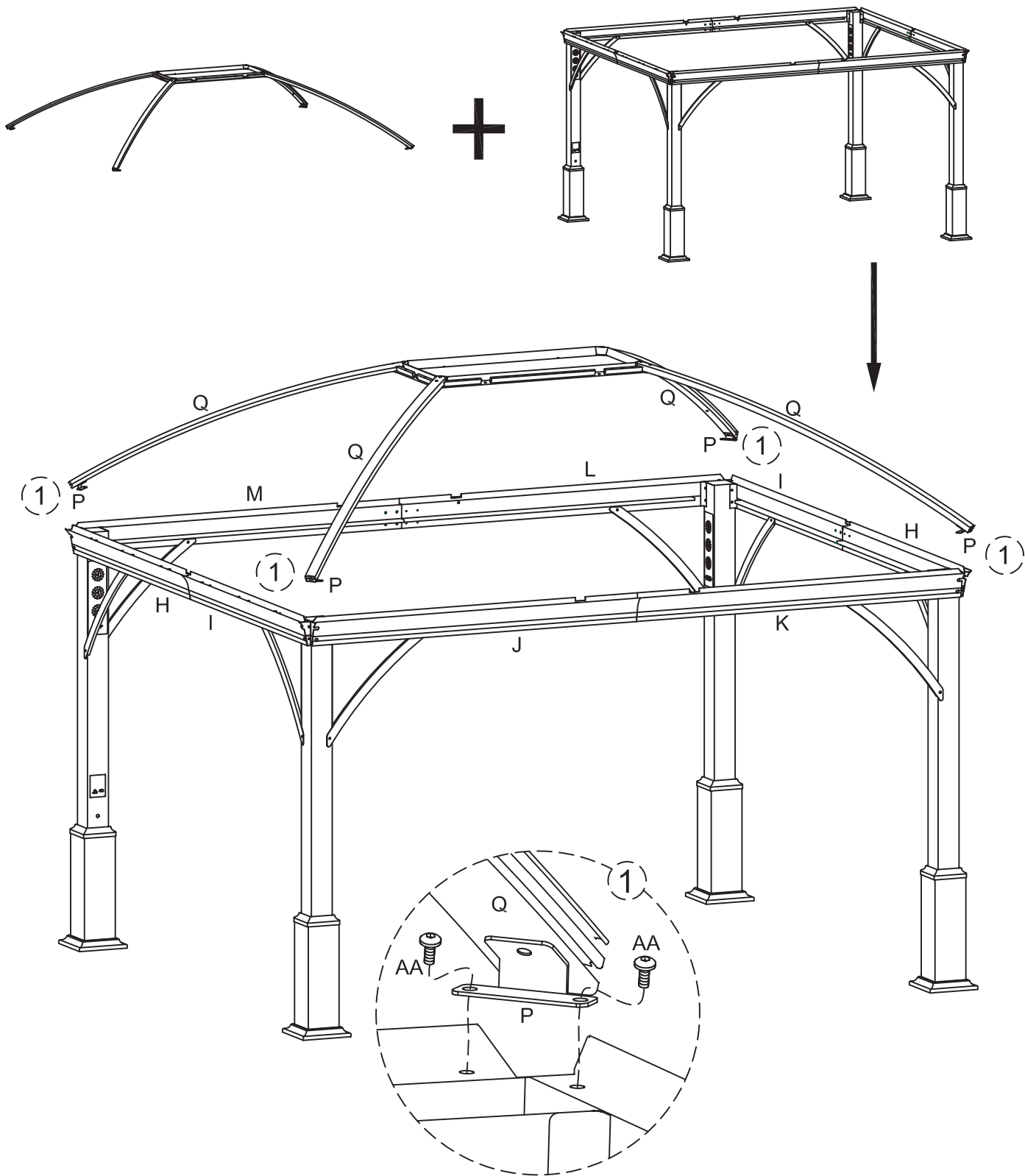
AA x 12



Assembly Instructions

13. Use Bolt (AA) secure Center Connector (P) on Crossbar (H, I), (J, K), (L, M) together (see figure 1.).

 AA x 8



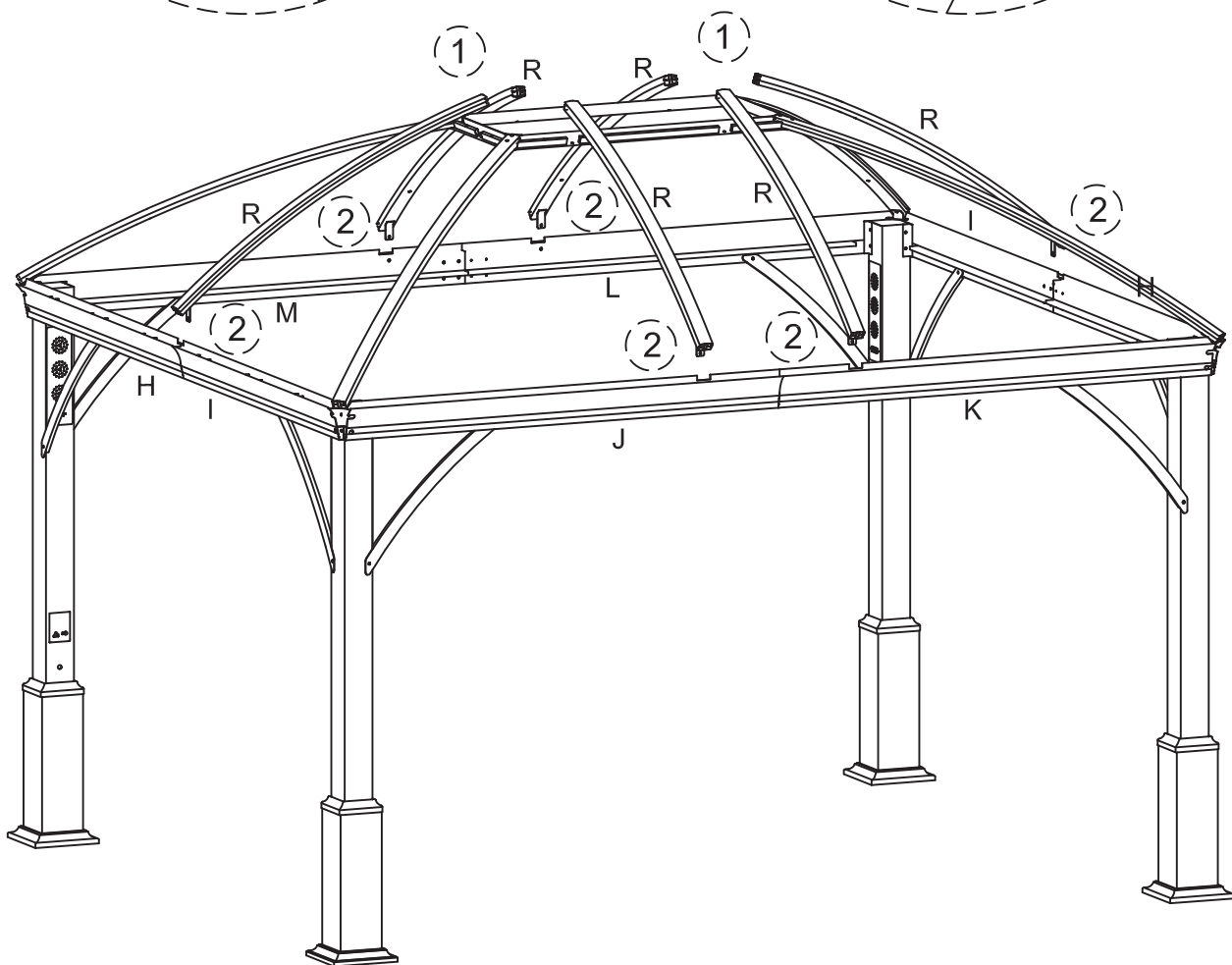
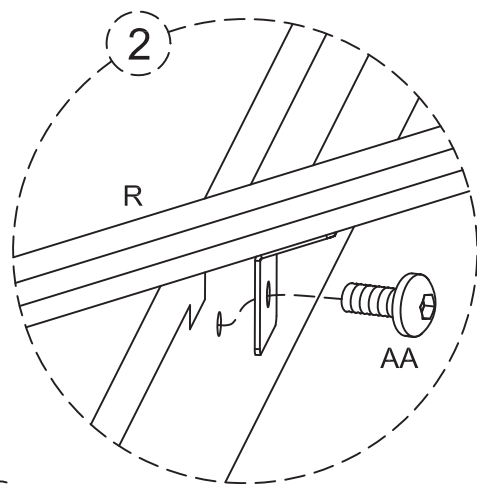
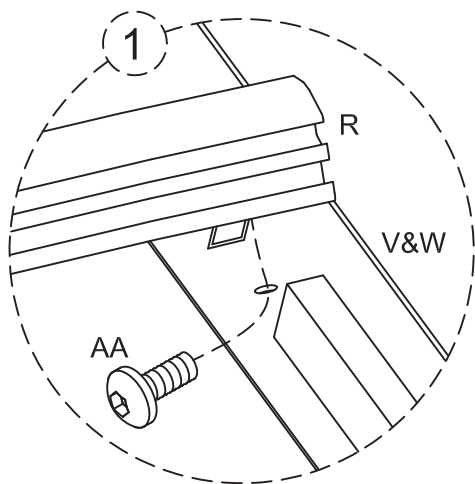
Assembly Instructions

14. Use Bolt (AA) secure Roof Tube (R) in between Crossbar (H) / (I) / (J) / (K) / (L) / (M) and Air Vent Support Bar (V) / (W).



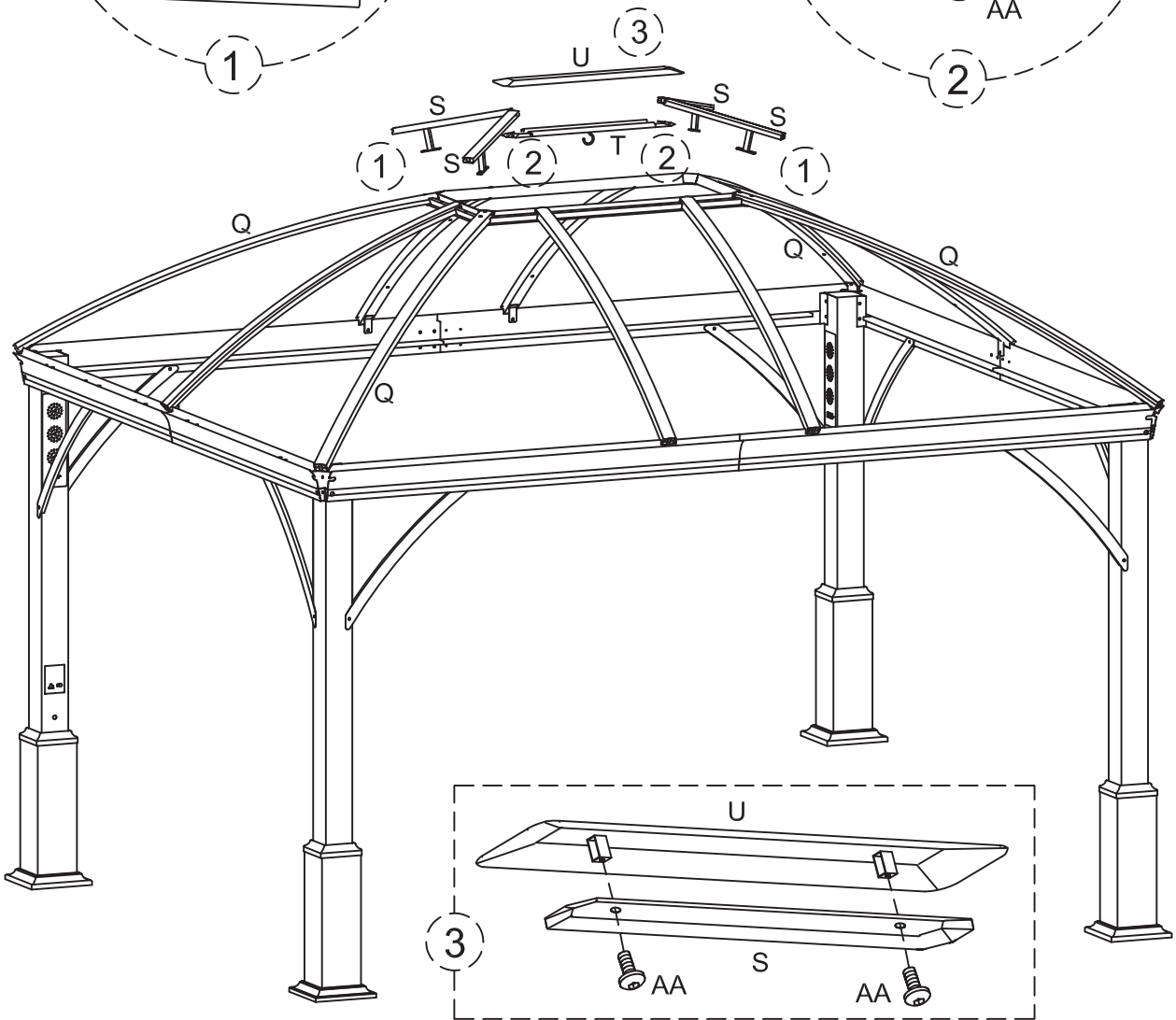
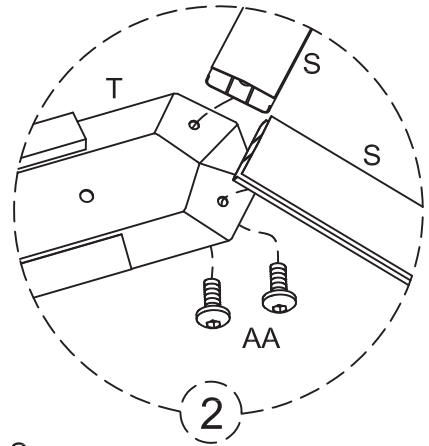
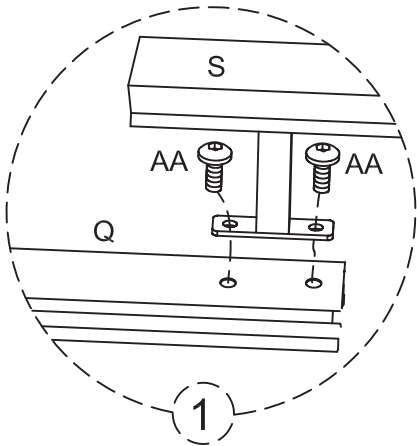
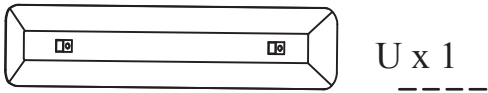
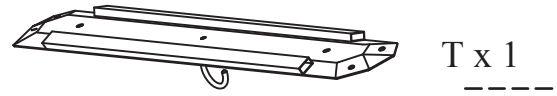
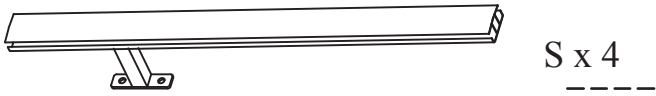
R x 6

AA x 12



Assembly Instructions

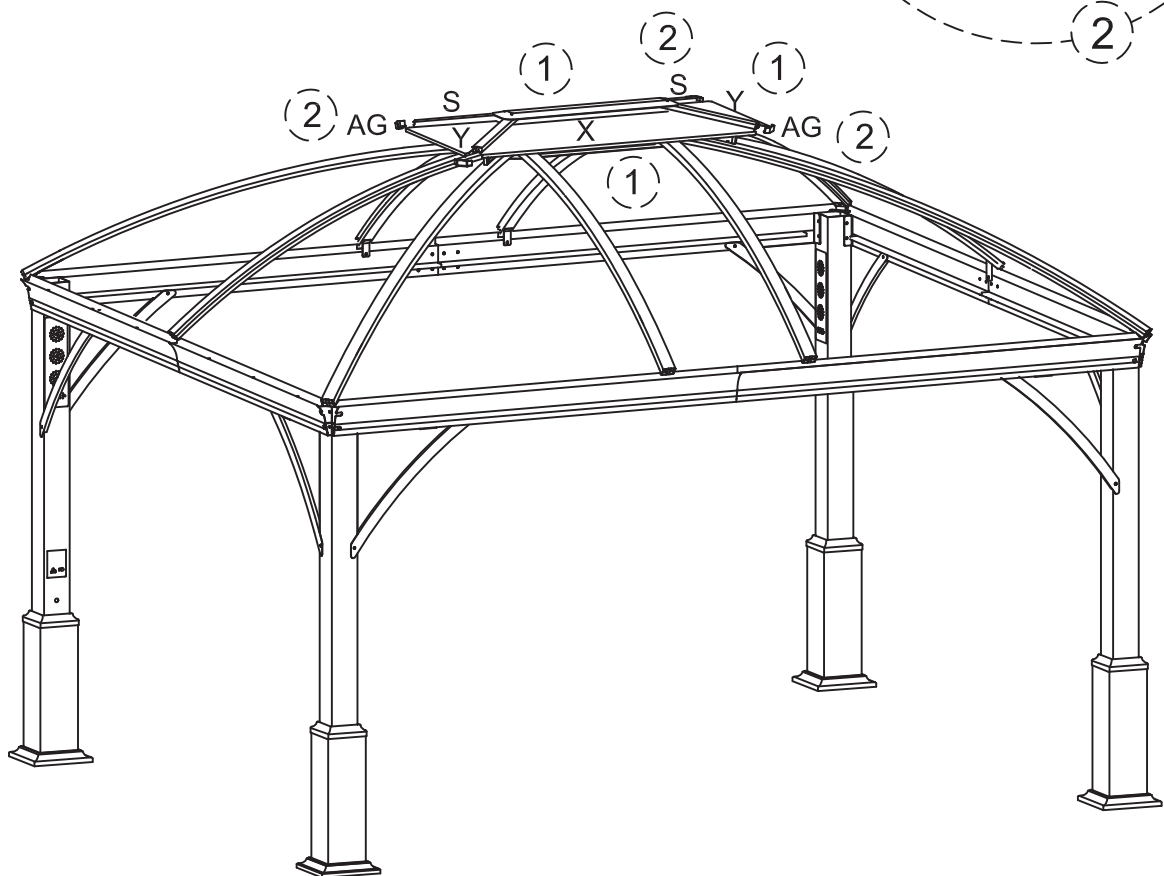
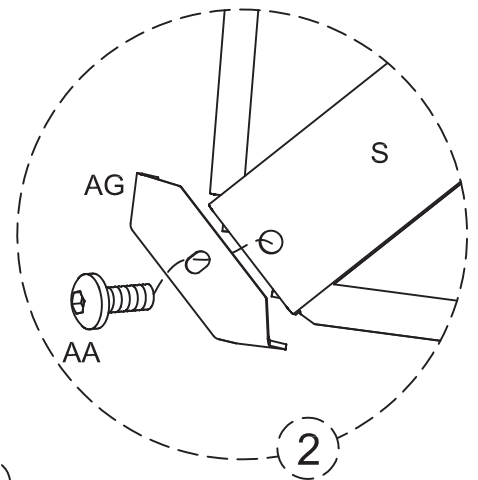
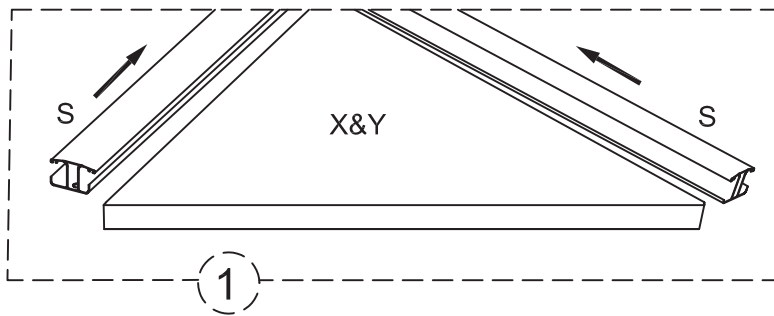
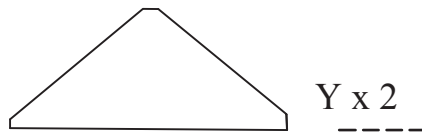
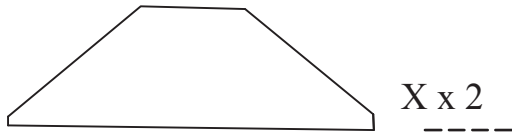
15. Use Bolt (AA) secure Air Vent Tube (S) on Corner Roof Tube (Q) (see figure 1).
 Use Bolt (AA) secure Roof Connector (T) on Air Vent Tube (S) (see figure 2).
 Use Bolt (AA) secure Roof Connector (T) with Roof Cap (U) (see figure 3).



Assembly Instructions

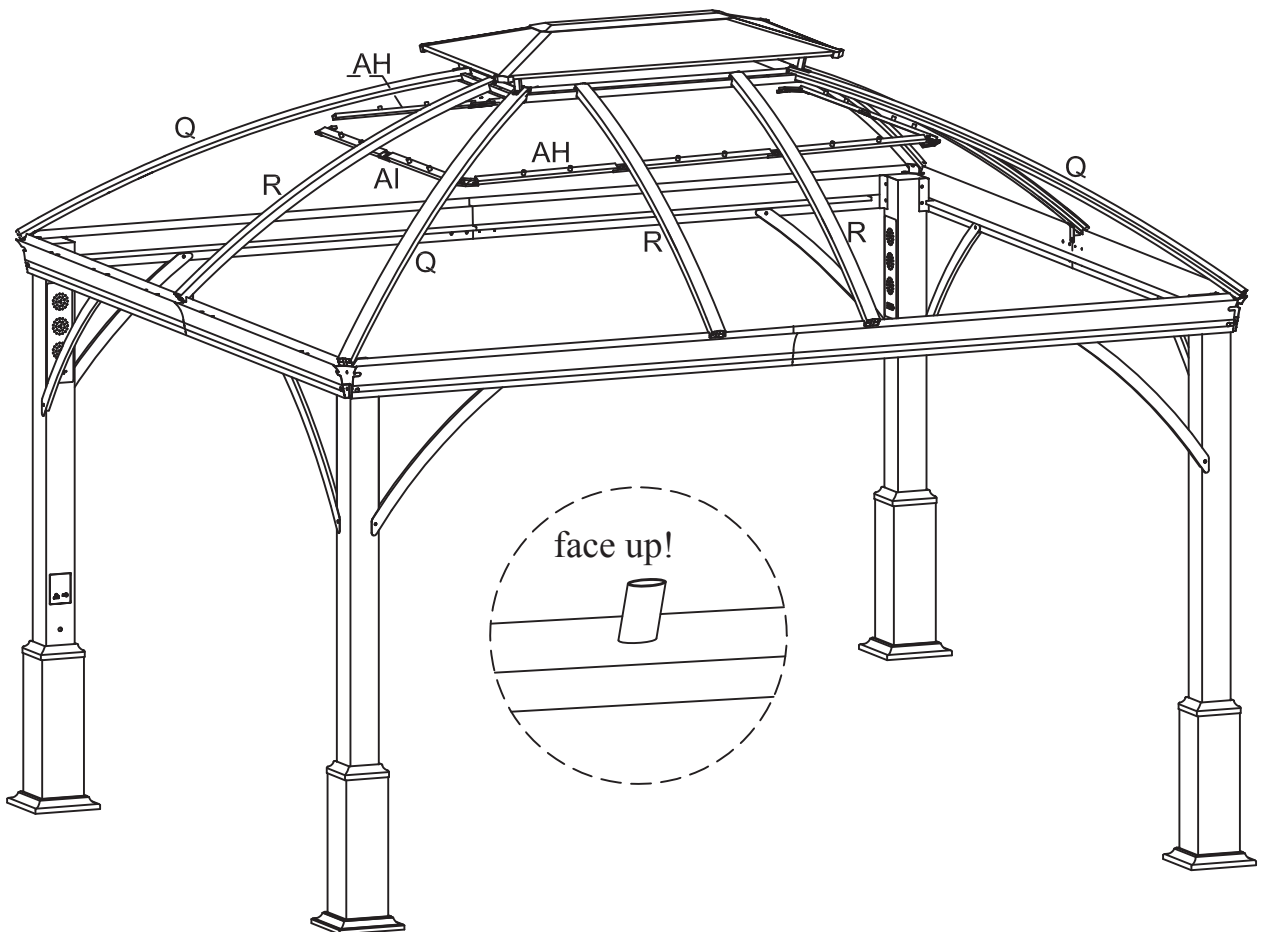
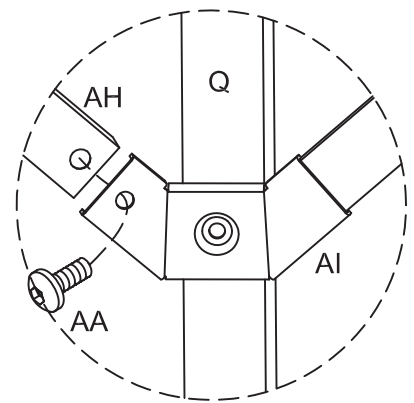
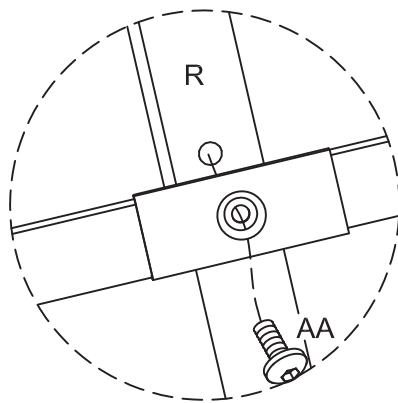
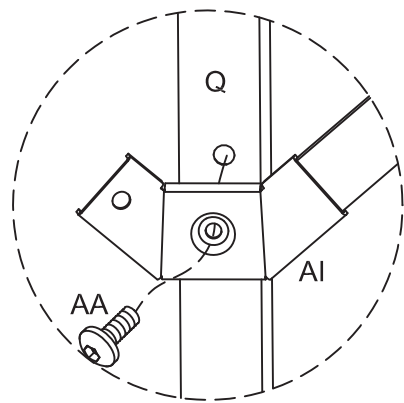
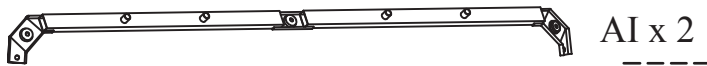
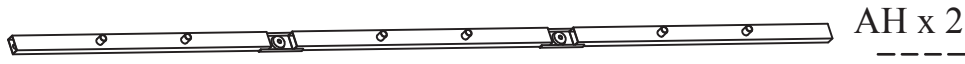
16. Insert Air Vent Panel (X) / (Y) into Air Vent Tube (S), then use Bolt (AA) secure Air Vent Corner Connector (AG) on Air Vent Tube (S).

Warning: Please hold the air vent panel before secure with air vent corner connector to avoid slide off.



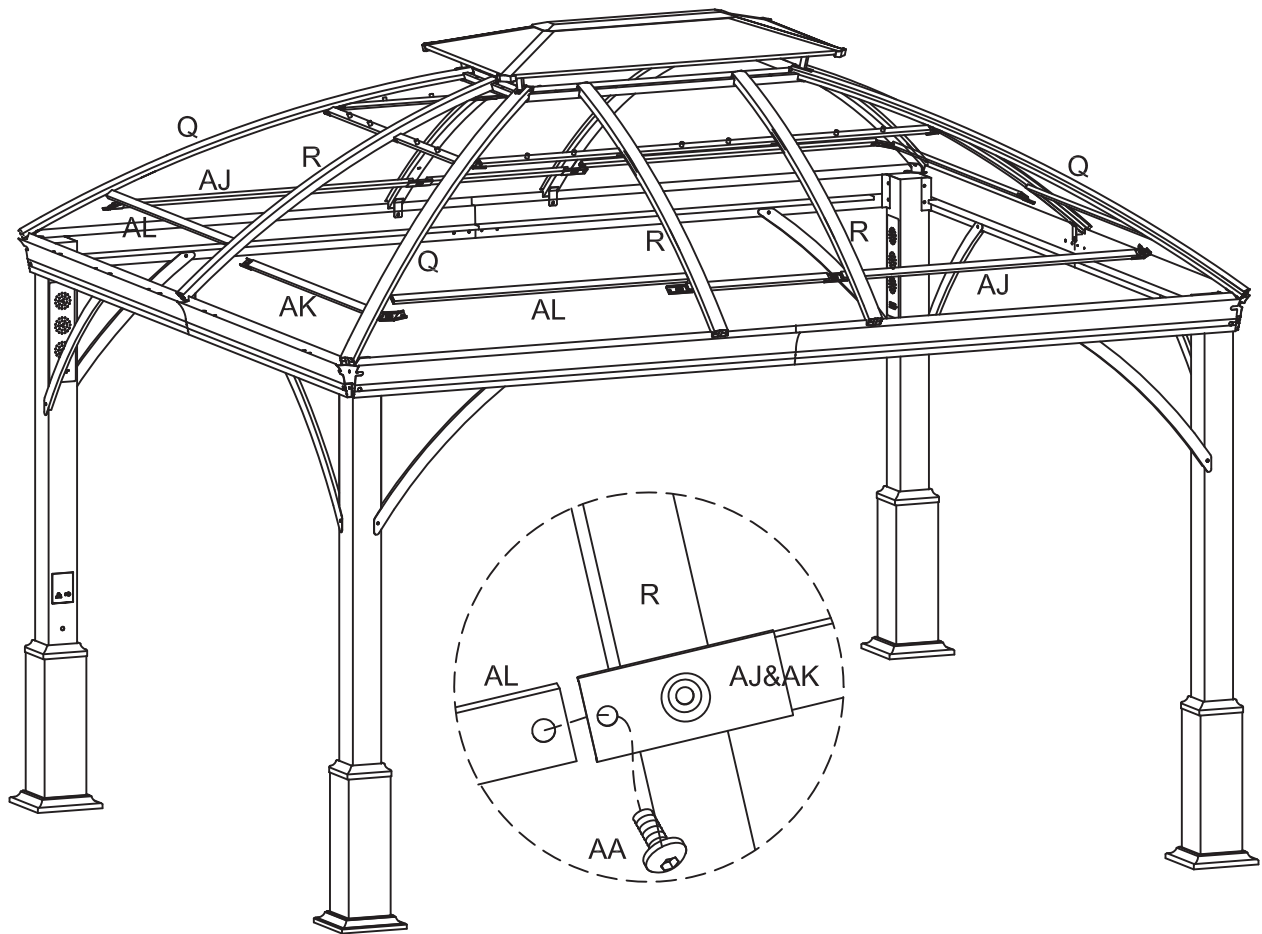
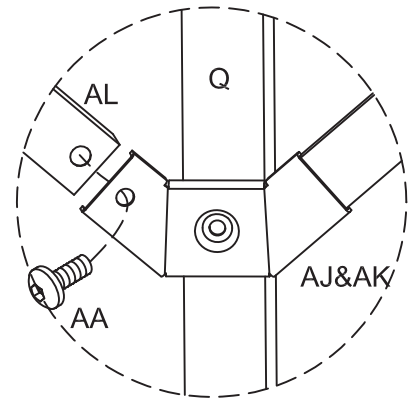
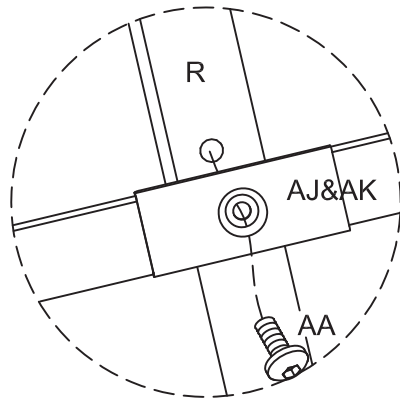
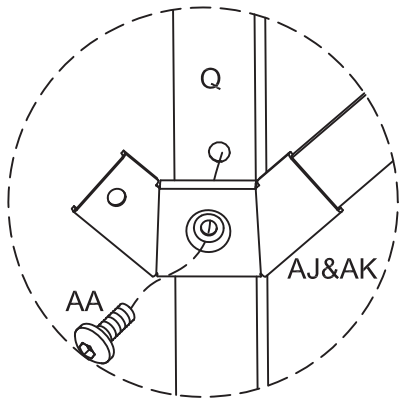
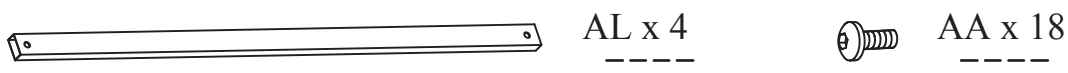
Assembly Instructions

17. Use Bolt (AA) secure Upper Support Tube (AI) in between 10ft. side of Corner Roof Tube (Q) then secure cross point of Upper Support Tube (AI) and Roof Tube (R). Use Bolt (AA) secure Upper Support Tube (AH) in between 12ft. side of Corner Roof Tube (Q) then secure cross point of Upper Support Tube (AH) and Roof Tube (R). Please follow above order to finish remaining parts. Do not over tighten.



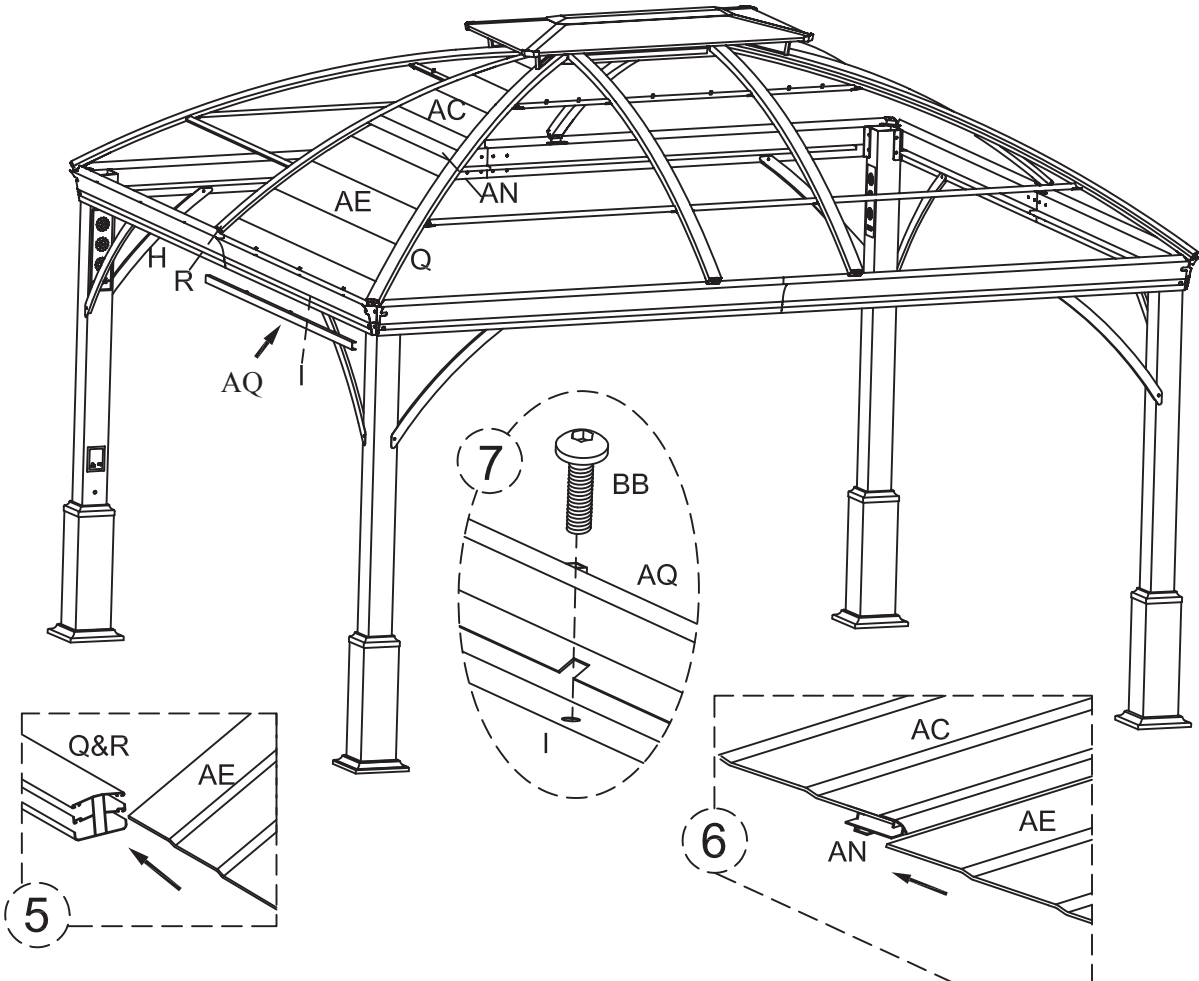
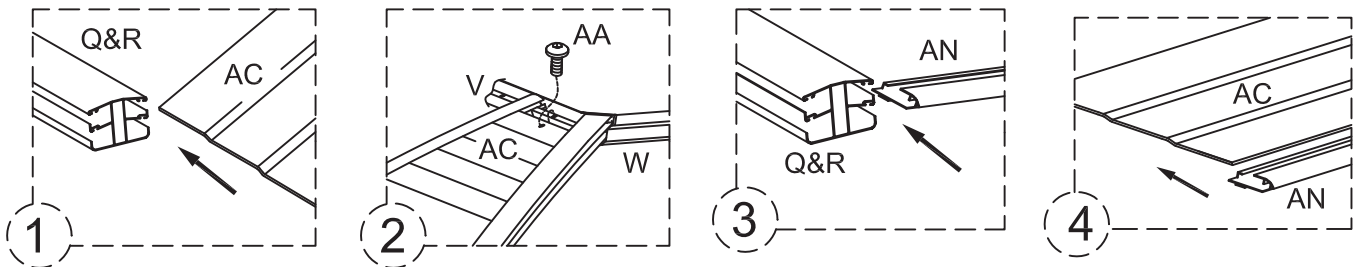
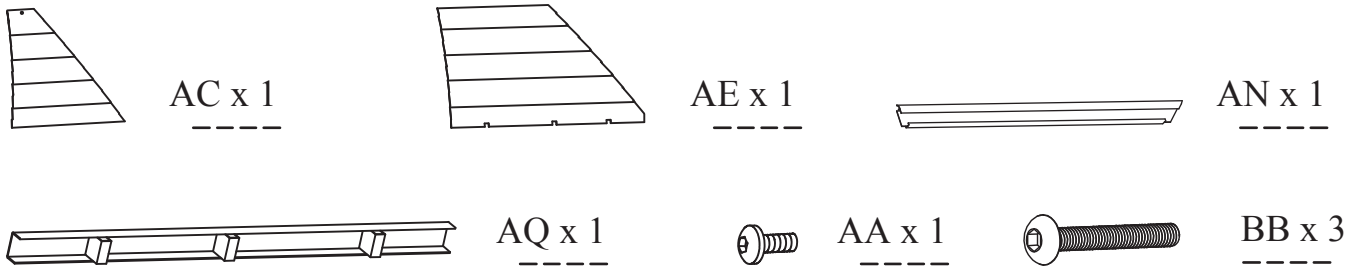
Assembly Instructions

18. Use Bolt (AA) secure Bottom Support Tube (AJ) in between Roof Tube (R) and Corner Roof Tube (Q) (see figure) and secure Bottom Support Tube (AK) in between Roof Tube (R) and Coner Roof Tube (Q). Then secure Bottom Support Tube (AL) to connect Bottom Support Tube (AK & AJ) by Bolt (AA). Follow above order to finish remaining parts. Do not over tighten.



Assembly Instructions

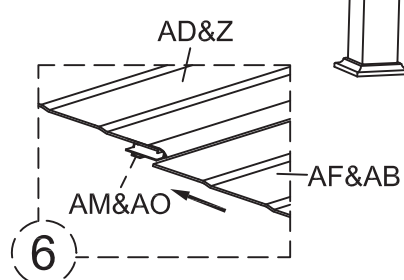
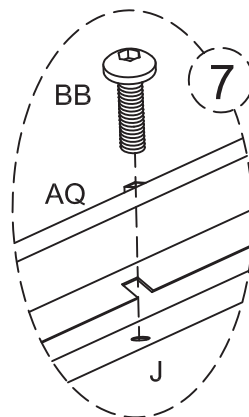
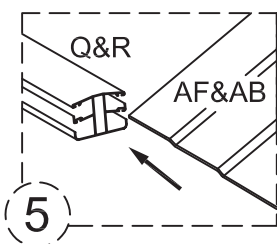
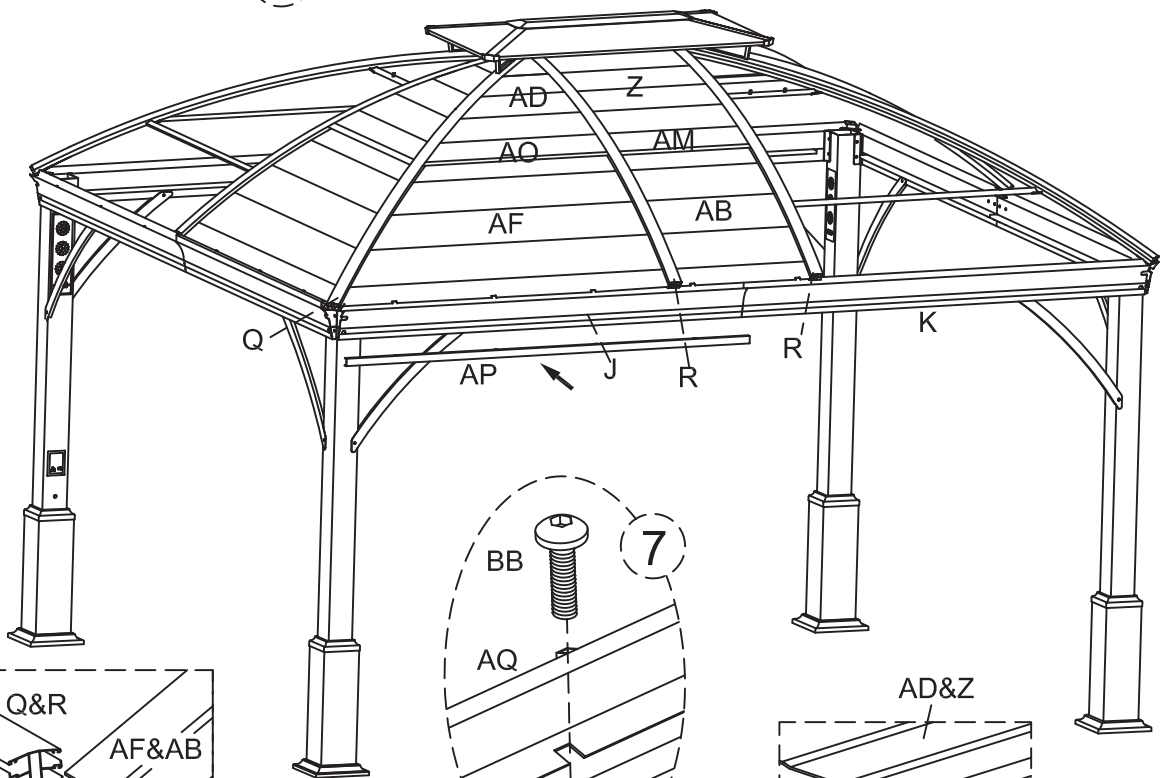
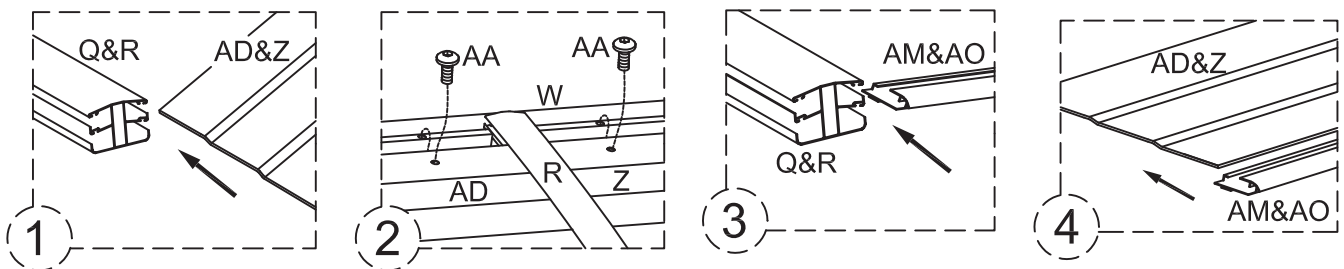
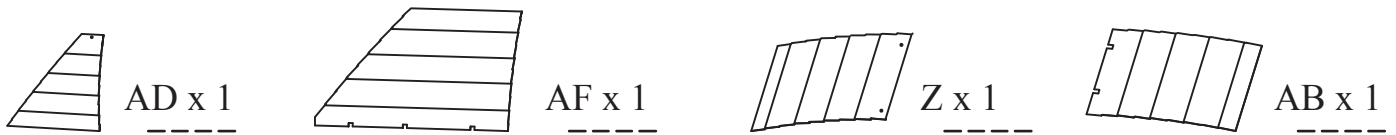
19. Slide in Upper Roof Panel (AC) (see figure 1) in between Roof Tube (R) and Corner Roof Tube (Q) secure with Air Vent Support Bar (V) by Bolt (AA) (see figure 2). Then insert Center Support Bar (AN) (see figure 3&4) follow by Lower Roof Panel (AE) (see figure 5) secure Inner Tube (AQ) in the end with Bolt (BB) (see figure 7).
 Warning: Please hold the roof panel till it secured by bolts to avoid roof panel slide off. Do not over tighten.



Assembly Instructions

20. Insert Upper roof Panel (AD) in between Roof Tube (R) and Corner Roof Tube (Q) secure by Bolt (AA) then secure Roof Panel (AD) on Center Roof Connector (W). Insert Center Support Tube (AO) below Upper roof panel (AD) and follow by Lower roof panel (AF) . Insert Upper roof panel (Z) in between two Roof tube (R) then follow by Center support tube (AM) and Lower roof tube (AB) secure Inner tube (AP) with Bolt (BB).

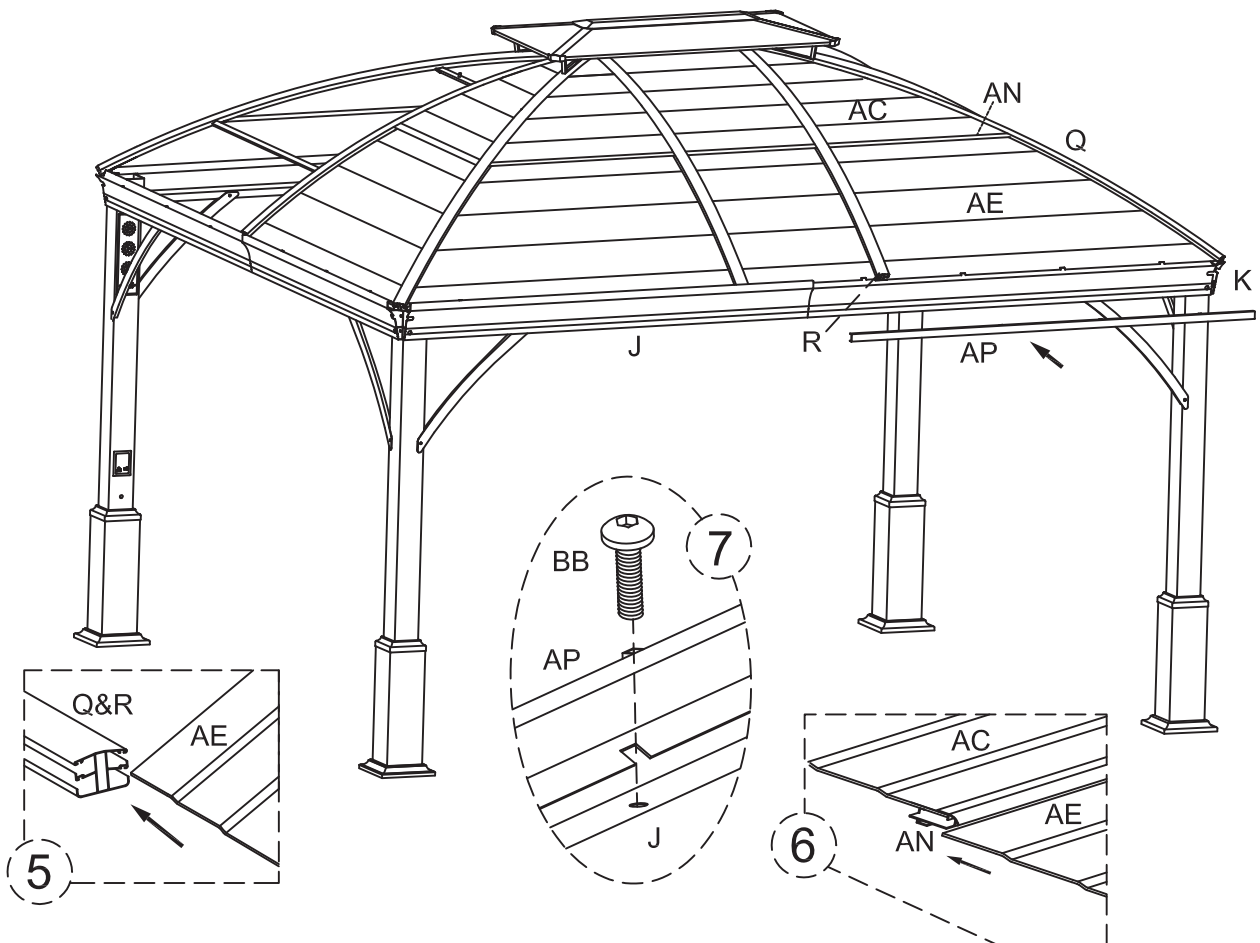
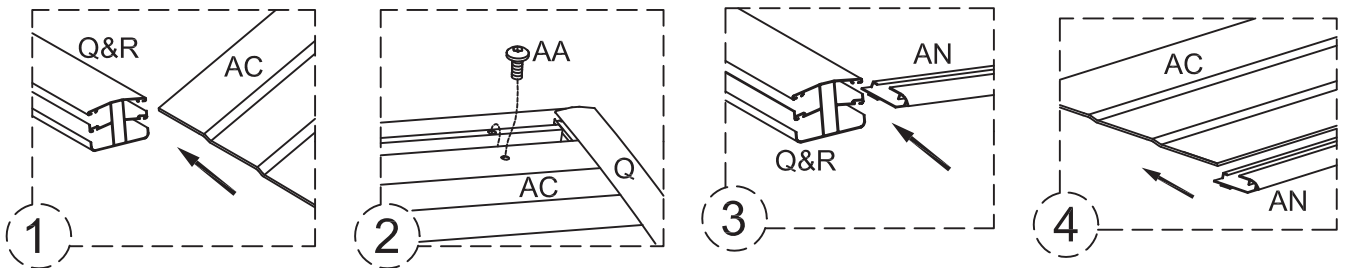
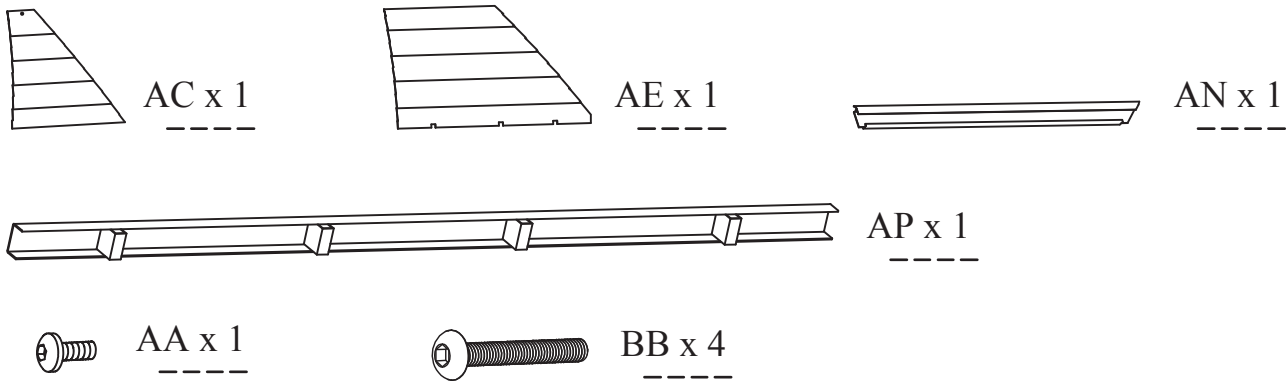
Warning: Please hold the roof panel till it secured by bolts to avoid roof panel slide off.



Assembly Instructions

21. Slide in Upper roof Panel (AC) (see figure 1) in between Roof Tube (R) and Corner Roof Tube (Q) with Air Vent Support Bar (W) by Bolt (AA) (see figure 2). Then insert Center Support Bar (AN) (see figure 3&4) follow by Lower Roof Panel (AE) (see figure 5) secure Inner Tube (AP) with Bolt (BB).

Warning: Please hold the roof panel till it secured by bolts to avoid roof panel slide off.



Assembly Instructions

22. Repeat step 19-21 by the order for remaining parts. Secure Eave Corner Connector (AR) on each corner with Bolt (AA) (see figure 1). Then secure Eave Center Connector (AS) on the middle of Crossbar (K, I, J, K, L, & M) with Bolt (AA).-



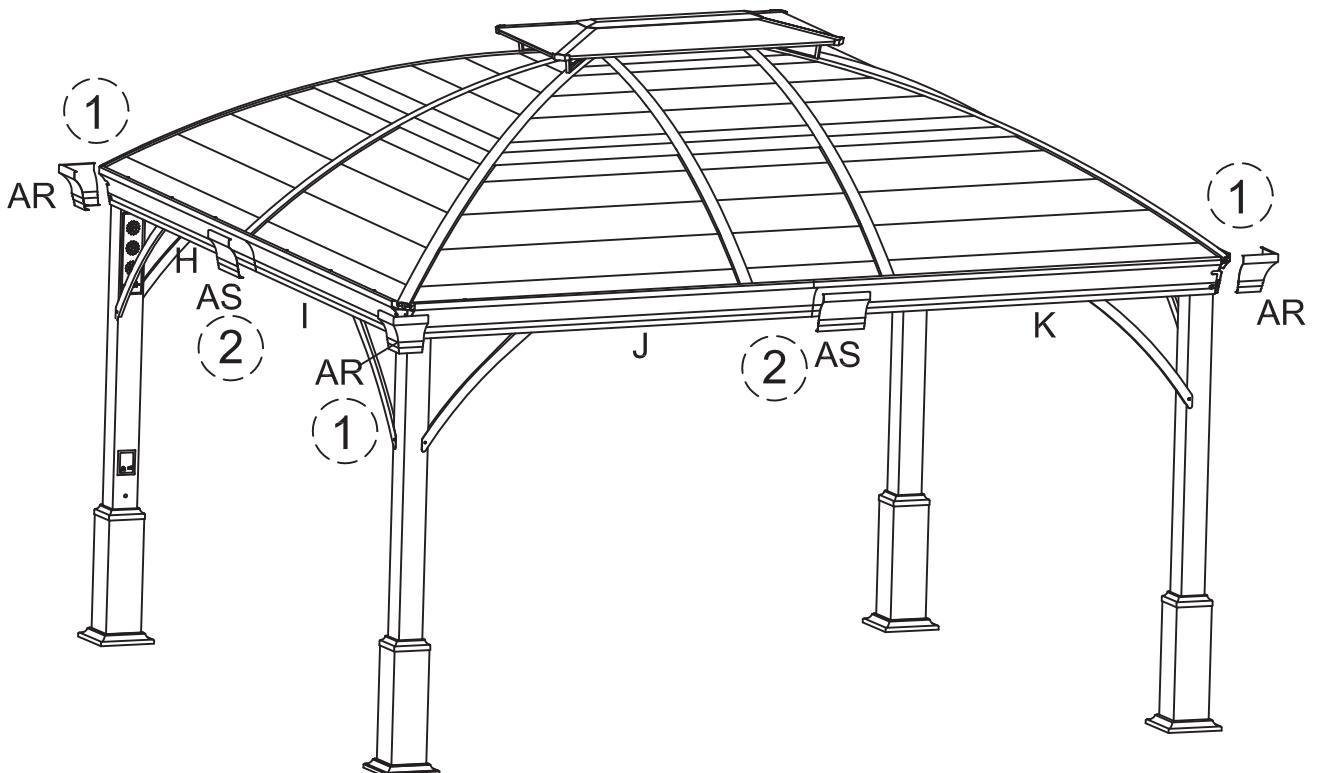
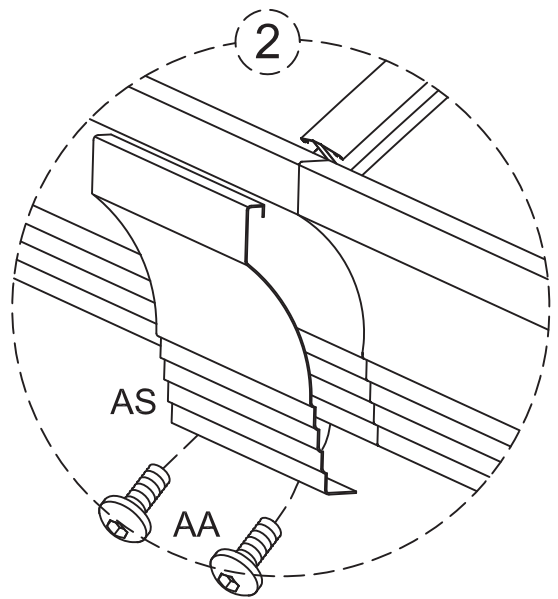
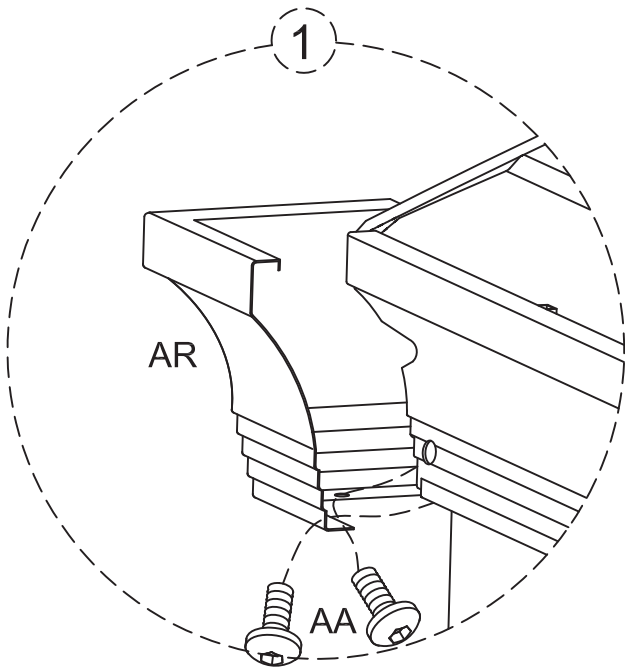
AR x 4



AS x 4

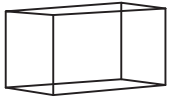


AA x 16



Assembly Instructions

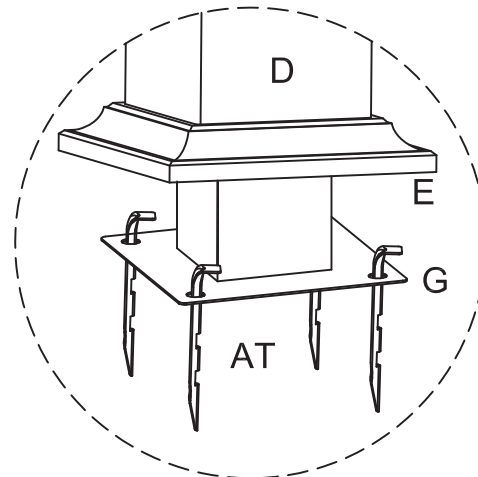
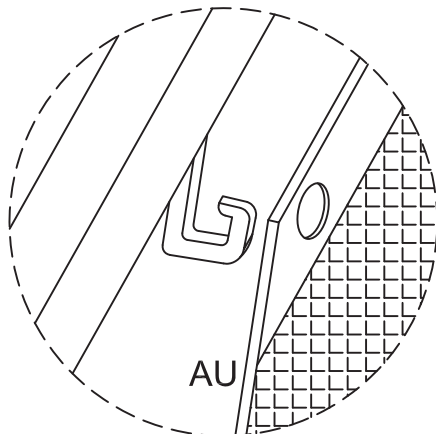
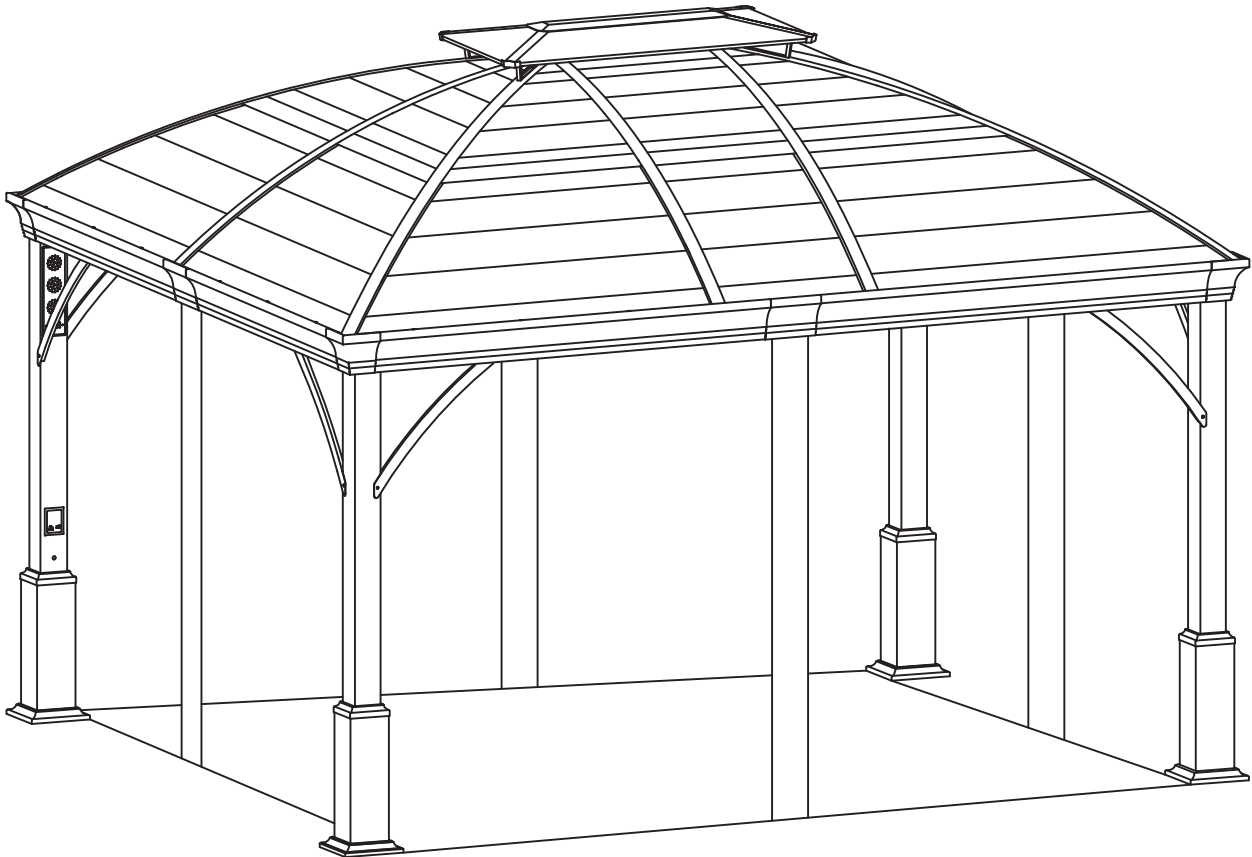
23. Place the Netting (AU) by hooks properly. Raise up Bottom Post (D) and insert Stake (AT) into the ground.



AU x 1



AT x 16

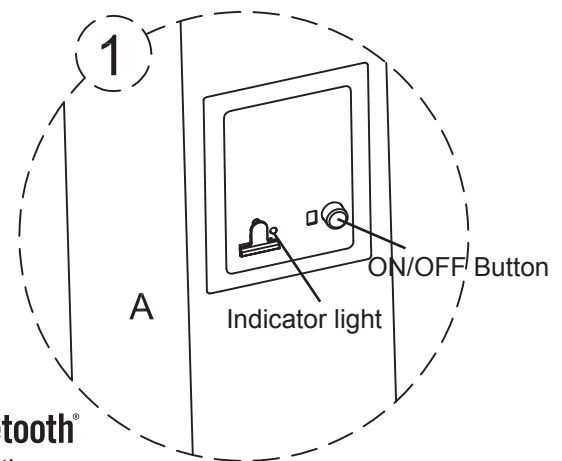
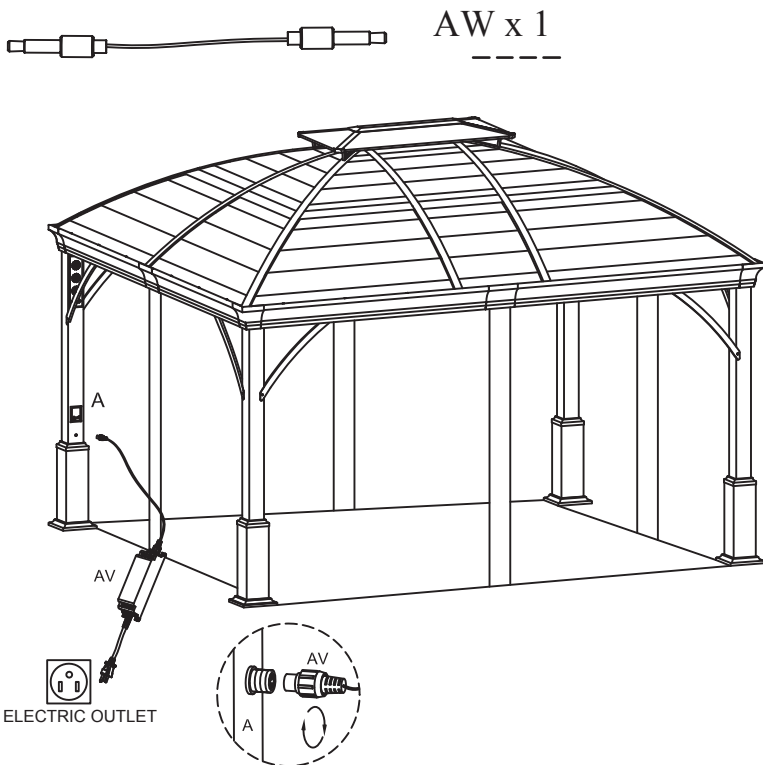


Assembly Instructions

24. Connect AC adapter and turn on the switch (located on the top of Post A). Turn on the audio controller switch (located on the bottom of post in black round bottom).

There are 3 ways to play the music:

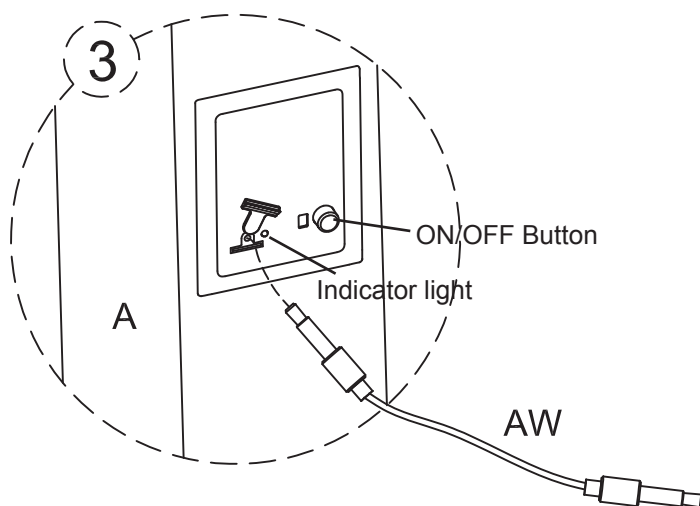
1. Wireless (see figure 1)
2. TF card (see figure 2)
3. AUX (see figure 3)



Bluetooth®

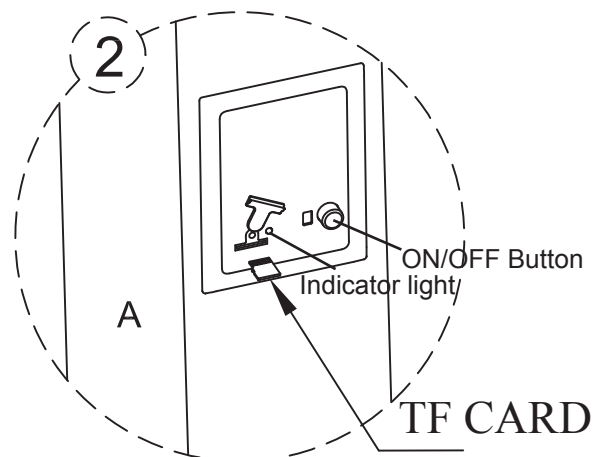
Bluetooth:

1. Turn on unit by pushing the black ON/OFF Button. The Red LED light will blink (until you connect your wireless device).
2. On your device, turn Bluetooth on. Set your device to search "GAZEBO", select "Music Umbrella" to pair your device. the Red LED light will turn solid once you are connected.
3. When you play music the Red LED light will continue to blink.



AUX:

1. Turn on unit by pushing the black ON/OFF Button. The Red LED light will blink (until you connect your device).
2. Use connect wire (AC) to connect your output device, the Red LED light will turn solid Blue light.
3. When you play music the Blue LED light will keep solid.



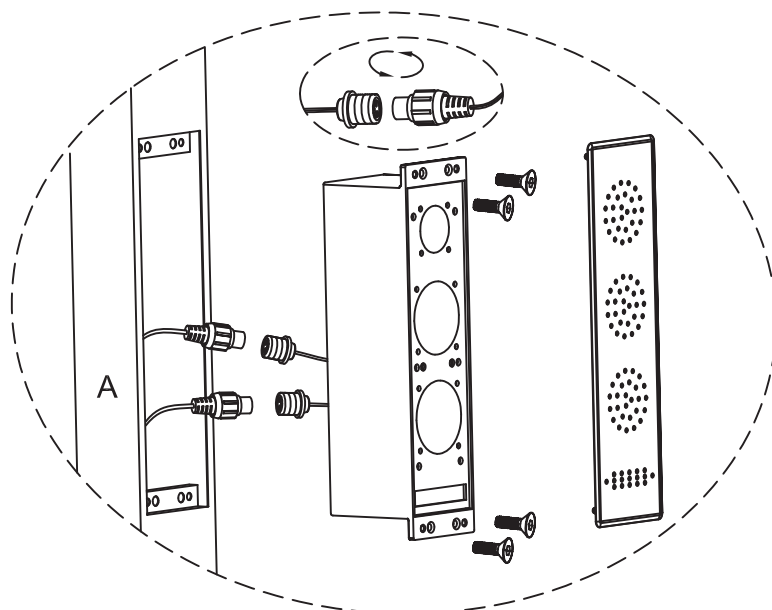
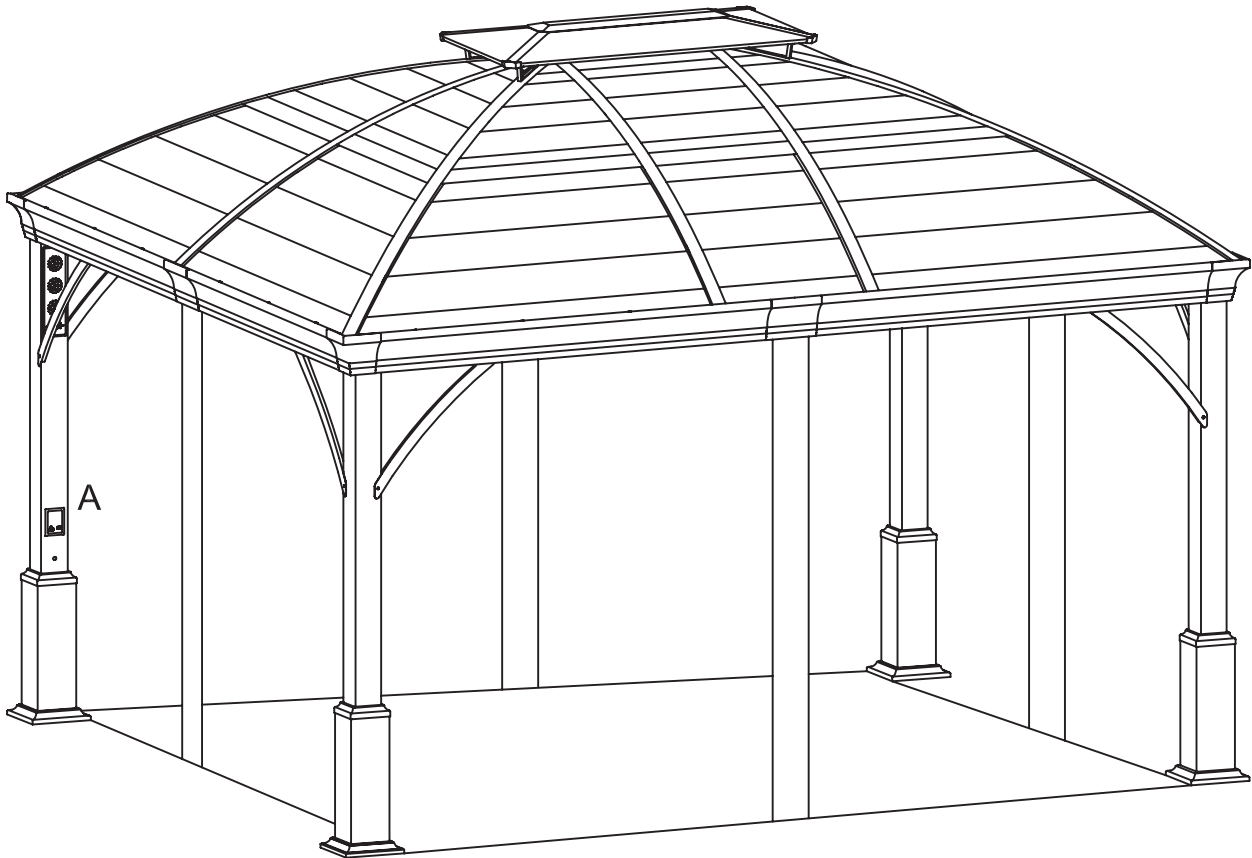
TF card:

1. Turn on unit by pushing the black ON/OFF/ Button. The Red LED light will blink (until you insert your TF card).
2. Insert TF card, the Red LED light will turn solid Blue light.
3. When you play music the Blue LED light will continue to blink.

Assembly Instructions

Instruction of Replace Speakers

1. Take off speaker cover then release bolts. Take out speaker slowly then disconnect wires. Warning: Please make sure the power is disconnect.
2. Connect all wires with new speaker, secure speaker on the post. Place back speaker cover. Warning: This speaker is special design for this product only. Do not replace or modify this product.



Assembly Instructions

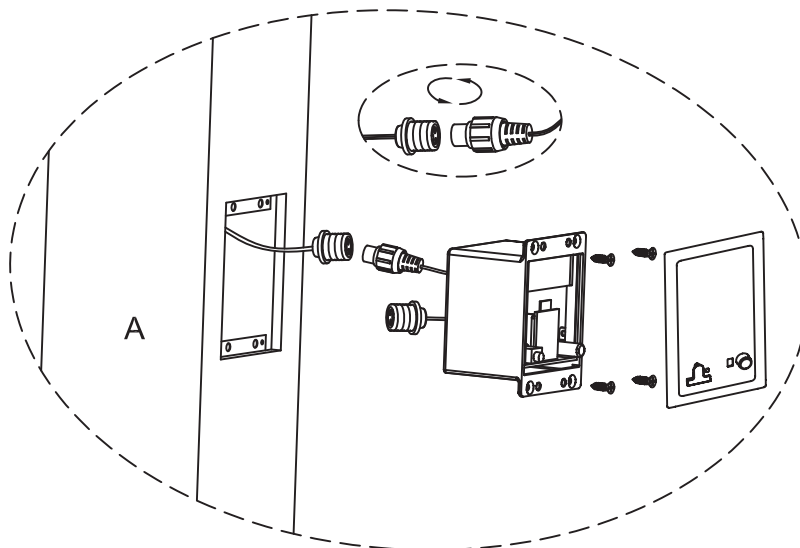
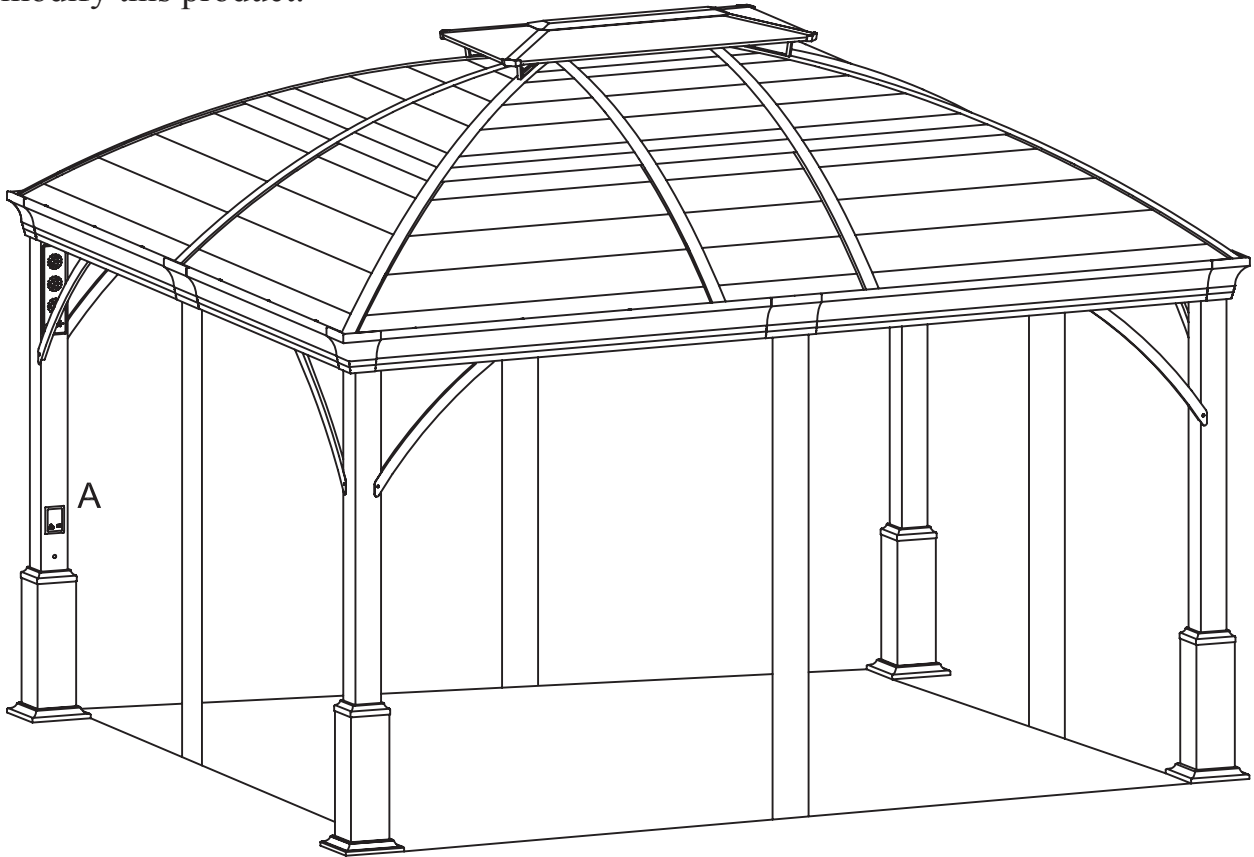
Instruction of Replace Audio Controller

1. Take off audio controller cover then release bolts. Take out audio controller box slowly then disconnect wires.

Warning: Please make sure the power is disconnect

2. Connect all wires with new audio controller, secure audio controller box on the post. Place back audio controller cover.

Warning: This audio controller is special design for this product only. Do not replace or modify this product.



Solutions to Common Speaker

Phenomenon Problems	Solutions
Several unsuccessful connection attempts	<ol style="list-style-type: none"> 1. Ensure the speakers is in standby mode and turn off connection with all Bluetooth devices. 2. Or restart.
Volume too low or sound distorted	<ol style="list-style-type: none"> 1. Or reboot change to Turn off the power for 10 seconds. 2. Or restart.
Discontinuous sound for music playing	Move the speaker closer or remove obstacles between speaker and your music playing device. Make sure the distance in between umbrella and device within 10m.
Indicator light not work	<ol style="list-style-type: none"> 1. Check power supply voltage. 2. Or restart.

Important Notes

WARNING!

Permanent hearing loss may result from long-term exposure to sound at high volumes. Use as low a volume as possible. The volume level may vary based on conditions such as the device you are using, its reception and volume settings, and the environment. Please read below prior to using this product.

None of the components can be replaced or repaired by users. If any parts of your product require replacement for any reason please contact customer service center. Comply with all of the instructions.

Clean the product with a dry cloth.

Do not place the product in a humid environment.

Do not place the product in any liquid.

Do not install the product near a heat source, such as radiator, heater, furnace, or other heating equipment.

Remove batteries when not in use for extended periods of time.

Do not attempt to modify the product in any way.

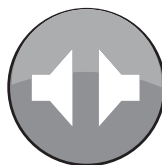
Works with ANY device with Bluetooth connectivity



WATER
RESISTANT



NO TOOLS
REQUIRED



STEREO SOUND



Remote Control Instruction



Previous



Next



Play/Pause



Volume - Button



Volume + Button



Switch to TF or AUX mode

0 - 9 Number:

In TF mode, select the number of song from your music list

FCC ID: 2AC7TGAZEBO60W

This device complies with Part 15 of the FCC Rules.

Operation is subject to the following two conditions:

- (1) this device may not cause harmful interference, and
- (2) this device must accept any interference received, including interference that may cause undesired operation.

Warning: Changes or modifications to this unit not expressly approved by the party responsible for compliance could void the user's authority to operate the equipment.

NOTE: This equipment has been tested and found to comply with the limits for a Class B digital device, pursuant to Part 15 of the FCC Rules. These limits are designed to provide reasonable protection against harmful interference in a residential installation. This equipment generates, uses and can radiate radio frequency energy and, if not installed and used in accordance with the instructions, may cause harmful interference to radio communications.

However, there is no guarantee that interference will not occur in a particular installation. If this equipment does cause harmful interference to radio or television reception, which can be determined by turning the equipment off and on, the user is encouraged to try to correct the interference by one or more of the following measures:

Reorient or relocate the receiving antenna.

Increase the separation between the equipment and receiver.

Connect the equipment into an outlet on a circuit different from that to which the receiver is connected.

Consult the dealer or an experienced radio/TV technician for help.



BOND VAST INDUSTRIAL LIMITED



No. 174 Ding Tan Pi Tan Vill Lutsao Hsiang, Chla Yi Hsien, Tai Wan, ROC

FAX: 886-5-3651 522

CUSTOMER SERVICE HOT LINE: 1-800-961-9838

SERVICE HOURS: MONDAY - FRIDAY 9:00AM - 5:00PM (PACIFIC TIME)

E-MAIL: CUSTOMERSERVICE@BONDVAST.COM

sears

Please refer to part numbers when reordering

For questions or comments about product:

Email: customerservice@bondvast.com or Call toll-free: 1-800-961-9838

Made in / Hecho en CHINA

Distributed by Sears, Roebuck and Co., Hoffman Estates, IL 60179

sears.com

See our extensive assortment of outdoor living products
on-line at www.sears.com and www.kmart.com