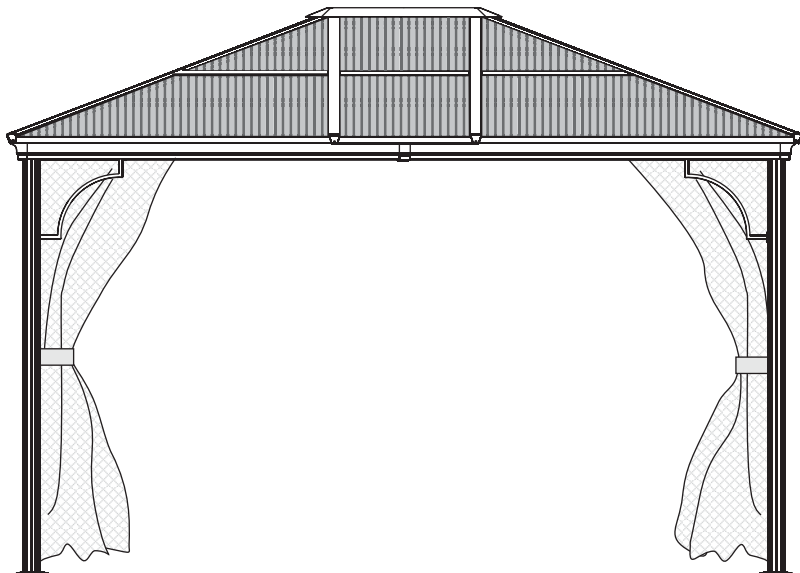

GRAND RESORT®



Use and Care Guide

Replacement Polycarbonate Roof Tiles

Product Code: D71 M20701

UPC Code: 6939622430152

Date of Purchase: ___/___/___

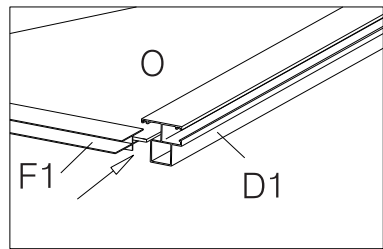
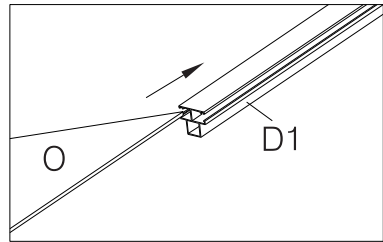
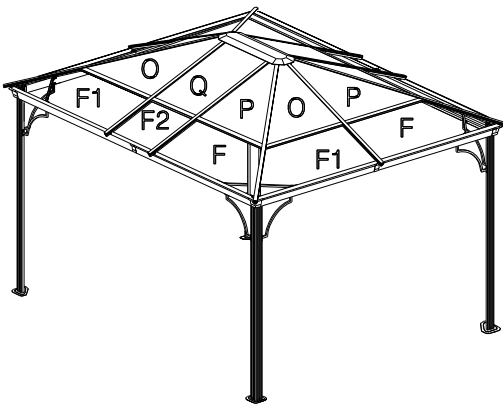
Assembly Instructions

Notes

- **IMPORTANT:** One side of the Polycarbonate (PC) panel is protected with UV coating (indicated with a plastic film). The UV protected side must be installed facing the outside (skyward) of the unit. If not done so the PC roof panels will not be covered by the warranty.
- **CAUTION:** It is difficult to tell which side which side of the PC panel has the UV protection once the film is removed so it is preferable to remove the film and insert each panel systematically one at a time..
- **TIP:** Make sure the grooves in the PC panels are always perpendicular to the crossbeams.

STEP 1

- 1.1: Insert the Left Roof Panels (O), Right Roof Panels (P) and Center Roof Panels (Q) into the tracks of the roof bars as illustrated in Diagram (1)
- 1.2: Insert the Connector Tracks (F, F1 and F2) into the tracks of the roof bars. Make sure the wide side of the connector track is on the bottom as illustrated in Diagram (2).



PARTS REQUIRED

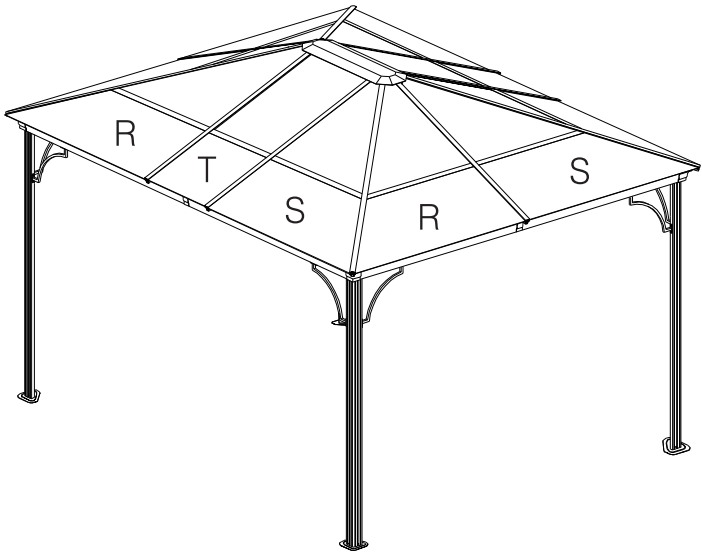
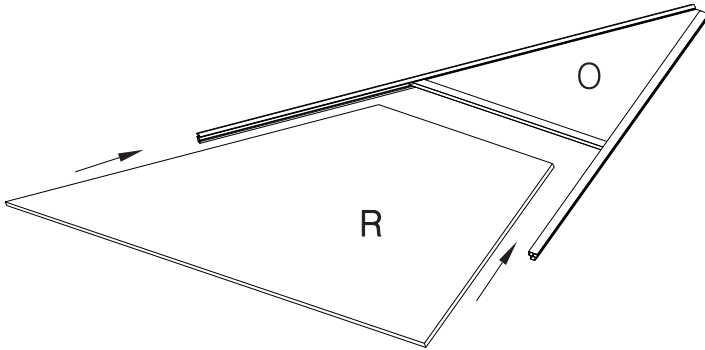
O		Qty 4
Roof Panel (L)		
P		Qty 4
Roof Panel (R)		
Q		Qty 2
Roof Panel (Lg)		

F		Qty 4
Connector Track (L)		
F1		Qty 4
Connector Track (R)		
F2		Qty 2
Connector Track (C)		

Assembly Instructions con't

STEP 2

2.1: Insert the Left Roof Panels (R), Right Roof Panels (S) and Center Roof Panels (T) into the tracks of the roof bars as illustrated in Diagram (i)



PARTS REQUIRED

R		Qty 4
Roof Panel (L)		
S		Qty 4
Roof Panel (R)		

T		Qty 2
Roof Panel (St)		

Assembly Instructions con't

Tips

- To facilitate this step insert a Bolt (V) at one side of an End Plate (E) but do not tighten the bolt as you will be removing it at the last step. It is preferable to begin with End Plate (E1).

STEP 3

3.1: Attach both sides of an End Plate (E) to the ends of roof bars using Bolts (V) as illustrated in Diagram (1) on page 4 .

3.2: With an End Plate Cover (J) attach a Center End Plate (E2) to the next roof bar end using Bolts (V) as illustrated in Diagram (2) on page 4 .


3.3: With another End Plate Cover (J) attach an End Plate (E2) to the next roof bar end using Bolts (V).

3.4: With a Corner Plate Cover (J1) attach an End Plate (E1) to the corner roof bar end using Bolts (V) as illustrated in Diagram (1) on page 4 .




- **NOTE:** *These steps are to be continued in subsequent fashion until the last end plate is attached to the first end plate attached (Step 3.1) .*



3.5: Unscrew the first bolt inserted (Step 3.1) and attach both end plates with an End Plate Cover (J1) using the same bolt.

HARDWARE REQUIRED

V		Qty 10
Bolt M6x16		

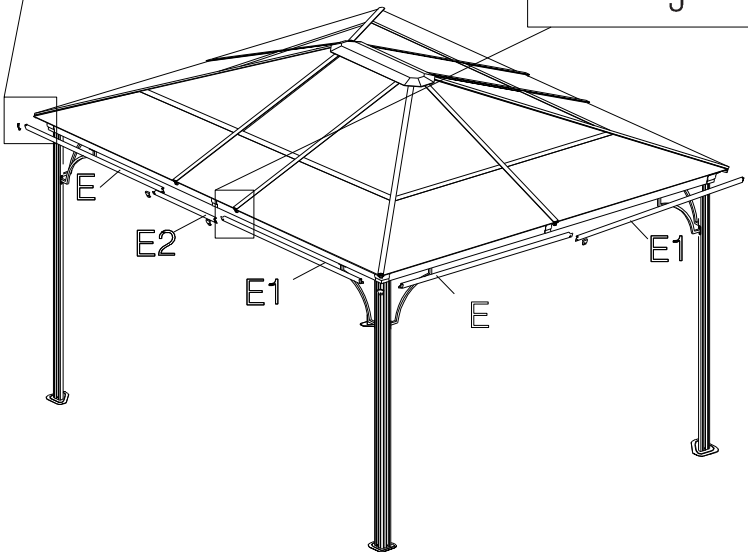
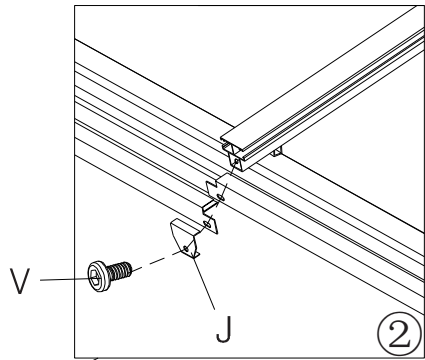
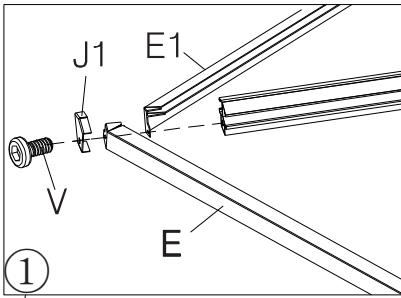
PARTS REQUIRED

E		Qty 4
End Plate (L)		
E1		Qty 4
End Plate (R)		
E2		Qty 2
End Plate (C)		

J		Qty 6
End Plate Cover		
J1		Qty 4
Corner Plate Cover		

Assembly Instructions con't

STEP 3 con't



sears

Please refer to part numbers when reordering

For questions or comments about product:

Email: service@hengyatrade.com or Call toll-free: 1-855-379-7070

Made in / Hech en CHINA

Distributed by Sears, Roebuck and Co., Hoffman Estates, IL 60179

See our extensive assortment of outdoor living products
on-line at www.sears.com and www.kmart.com