

TY PENNINGTON
Style™



Use and Care Guide

Quincy Chaise

Product Code:D71 M20452

KSN:08763185-9

UPC Code:717598004623

Date of Purchase: ____ / ____ / ____.

Thank you for your purchase

Thank you for your purchase!

We are pleased that you have chosen Sears for your outdoor furniture purchase. We hope that you enjoy the unmatched quality, comfort, and style of your new patio set. Every piece is meticulously considered all the way down to the smallest details, exclusively for you, by our world class design team. We know you have a choice when it comes to your patio furniture needs, so from our team to yours, thank you for letting us be a part of your outdoors.

Table of Contents

Table of Contents	2
Safety Information	3
Set Up your Furniture Properly.....	3
Examine your Furniture.....	3
Warranty	3
What is Covered.....	3
What is Not Covered.....	3
Care and Maintenance	4
Pre-Assembly	4
Planning Assembly.....	4
Hardware Included.....	4~5
Observe weight Limits.....	5
Package contents.....	5
Assembly Instructions	
Quincy Chaise.....	6~9

Safety Information

SET UP YOUR FURNITURE PROPERLY

- Ensure that all parts are assembled properly and fully tightened as per the instructions.
- When placing in the desired location, ensure that all legs are resting on the same surface. You may adjust the legs levelers as required to ensure that the item stands in a rigid position.

EXAMINE YOUR FURNITURE

- Examine occasionally to ensure that there are no loose parts. If loose parts are found, they must be retightened fully before additional use.

Warranty

5 years limited warranty on PS wood – against rot, decay, splintering and termite infestation.

1 year limited product warranty.

WHAT IS COVERED

- Product is warranted to the original purchase to be free from defects in material or workmanship for a period of 1 year / 5 years respectively from date of original retail purchase. The word “defects” is defined as imperfections that impair the use of the product. Defects resulting from misuse, abuse or customer negligence will void this warranty.

WHAT IS NOT COVERED

- This warranty does not cover defects due to alteration of accident. This warranty does not cover damage caused by Vandalism, resting, “acts of nature” or any other event beyond the control of the manufacturer.
- This warranty does not cover scratching, scuffing or other cosmetic damage that may result from normal use of the product. In addition, defect resulting from intentional damage, customer negligence or unreasonable use will void the warranty.
- Liability for incidental or consequential damages is excluded to the extent permitted by law. While every attempt is made to embody the highest degree of safety in all products, freedom from injury cannot be guaranteed. The user assumes all risk of injury resulting from the use of this product. All merchandise is sold on this condition and no representative of company may waive or change this policy.

Customer Service 1-800-797-3128

Care and Maintenance

- By following the instruction below, your new product should provide you with years of service and enjoyment.
- The metal frame is painted with strong durable “powder-coat” paint. If the paint should chip, sand the area lightly. Then paint over that area with a rust proof primer followed by an enamel spray paint.
- The panels are stain- and solvent-resistant. Most stains can be removed, using a mild soap and a soft-bristled brush.
- Abrasive cleaning material may scratch the plastic and are not recommended.
- Avoid placing a direct heat source on or near surfaces unless using a heat barrier.

Pre-Assembly

PLANNING ASSEMBLY

To prevent damage, place all parts on a soft surface during assembly, check all components and hardware by parts list as below before assembly. It takes about 10 minutes for two persons to complete all the assembly.

OBSERVE WEIGHT LIMITS

The recommended weight limit is listed below:

- Chair: 300lbs



CAUTION: If you overload your furniture, injuries can occur.

HARDWARE INCLUDED



NOTED: Hardware not shown to actual size.



F(x6)



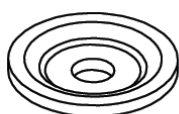
G(x4)



H(x2)



I(x2)



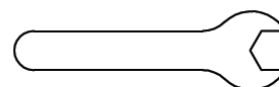
J(x4)



K(x2)



L(x1)

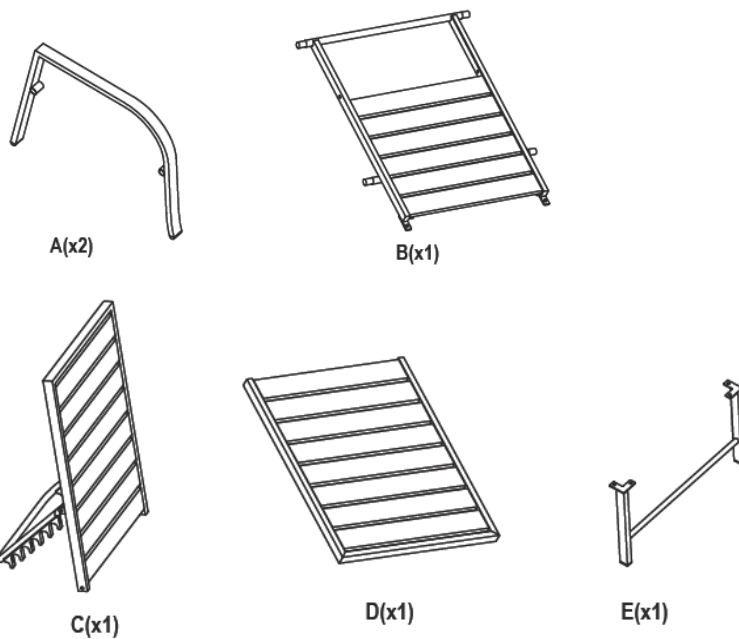


M(x1)

Pre-Assembly(continued)

Part	Description	Size	QTY.
F	Short bolt	1/4"***15MM	6
G	Bolt	1/4"***20MM	4
H	Long bolt	1/4"***50MM	2
I	Hex nut		2
J	Pipe plug		4
K	Washer		2
L	Allen wrench	4MM	1
M	Hex wrench		1

Packing content



PART	DESCRIPTION	QTY.
A	SIDE PANEL	2
B	BACK SEAT PANEL	1
C	BACKREST	1
D	FRONT SEAT PANEL	1
E	FRONT LEG	1



Safety Information

DON'T FULLY TIGHTEN ALL BOLTS INDECATED STEP 2.

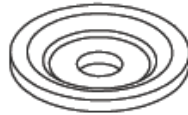
Assembly Instructions

1 Attaching side panels to back seat panel

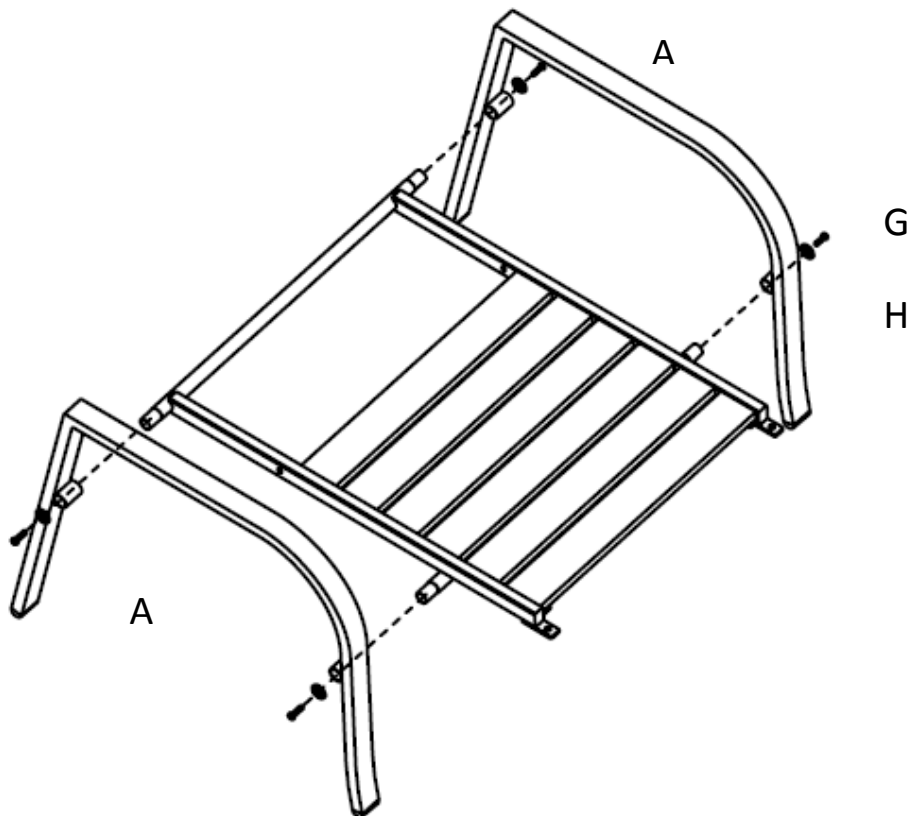
- ATTACH SIDE PANEL "A" TO BACK SEAT PANEL "B". FASTEN WITH BOLT "G" AND PIPE PLUG "J", TIGHTEN HALF THE WAY USE ALLEN WRENCH "L".



G(X4)



J(X4)



Assembly Instructions

2 Attaching the backrest panel, tighten all the bolts

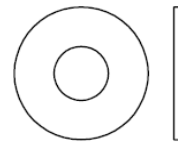
- ATTACH BACKREST PANEL "C" TO SEAT PANELS, FASTEN WITH BOLT "H" , WASHERS "K" AND HEX NUT "I". TIGHTEN HALF THE WAY USE ALLEN WRENCH "L" AND HEX WRENCH "M".



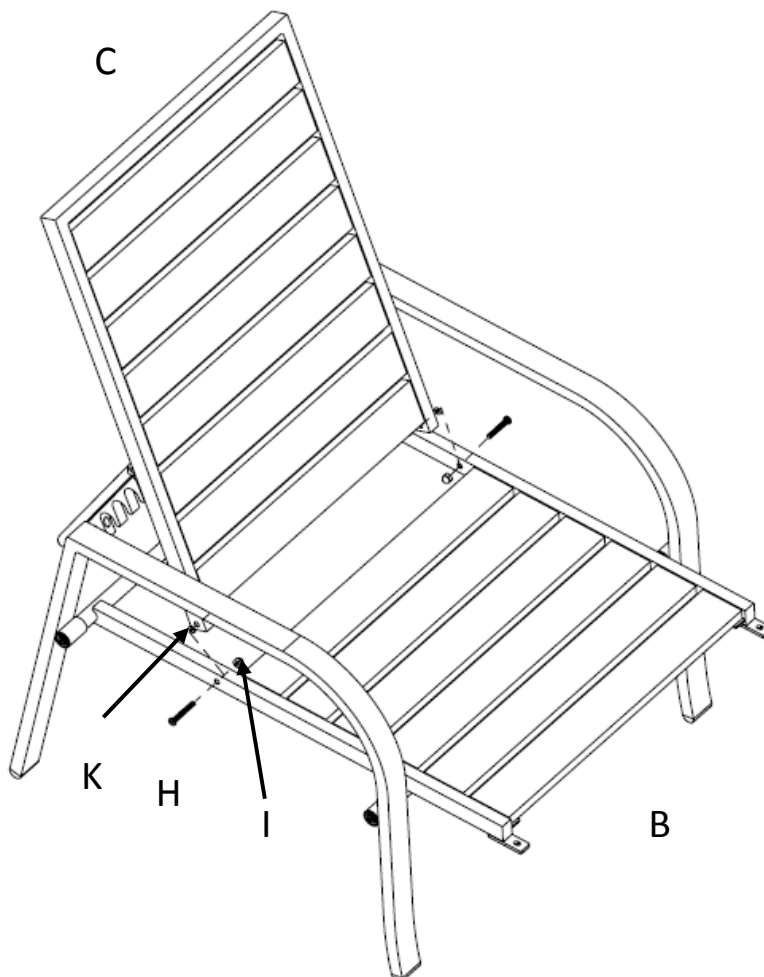
H(x2)



I(x2)



K(x2)



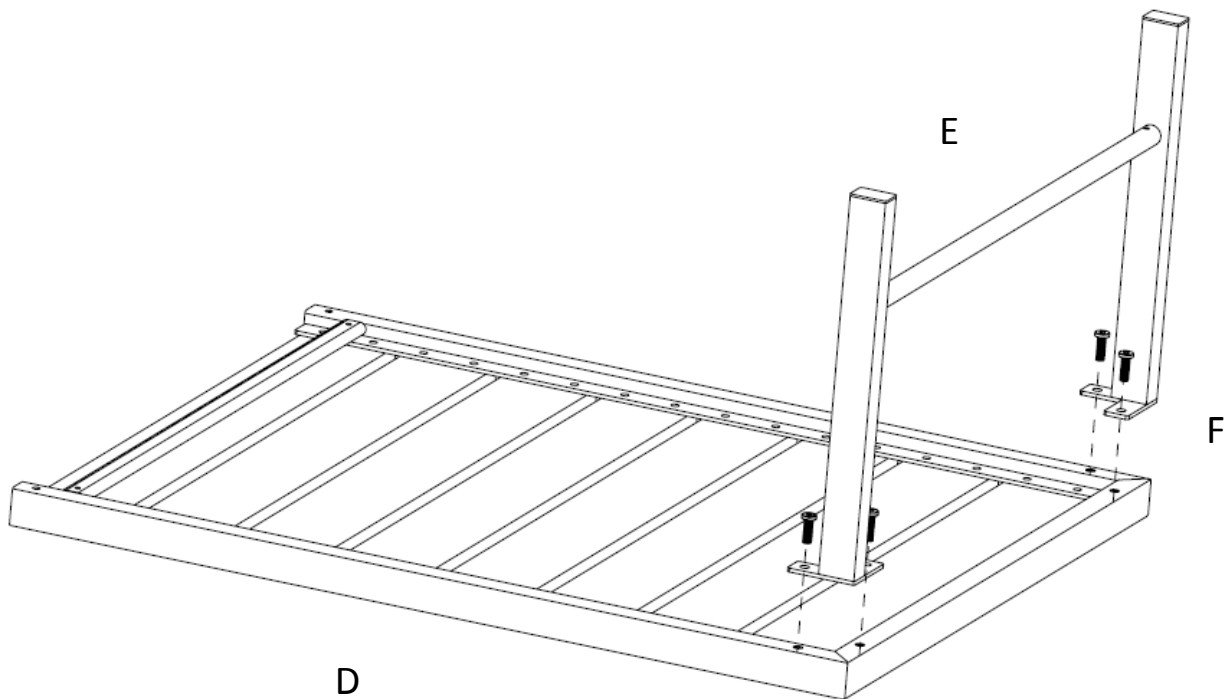
Assembly Instructions

3 Attaching front leg to front seat panel

- LAY FRONT SEAT PANEL "D" UPSIDE DOWN, ATTACH FRONT LEG "E" TO SEAT PANELS, FASTEN WITH BOLT "F". TIGHTEN HALF THE WAY USE ALLEN WRENCH "L".



F(X4)



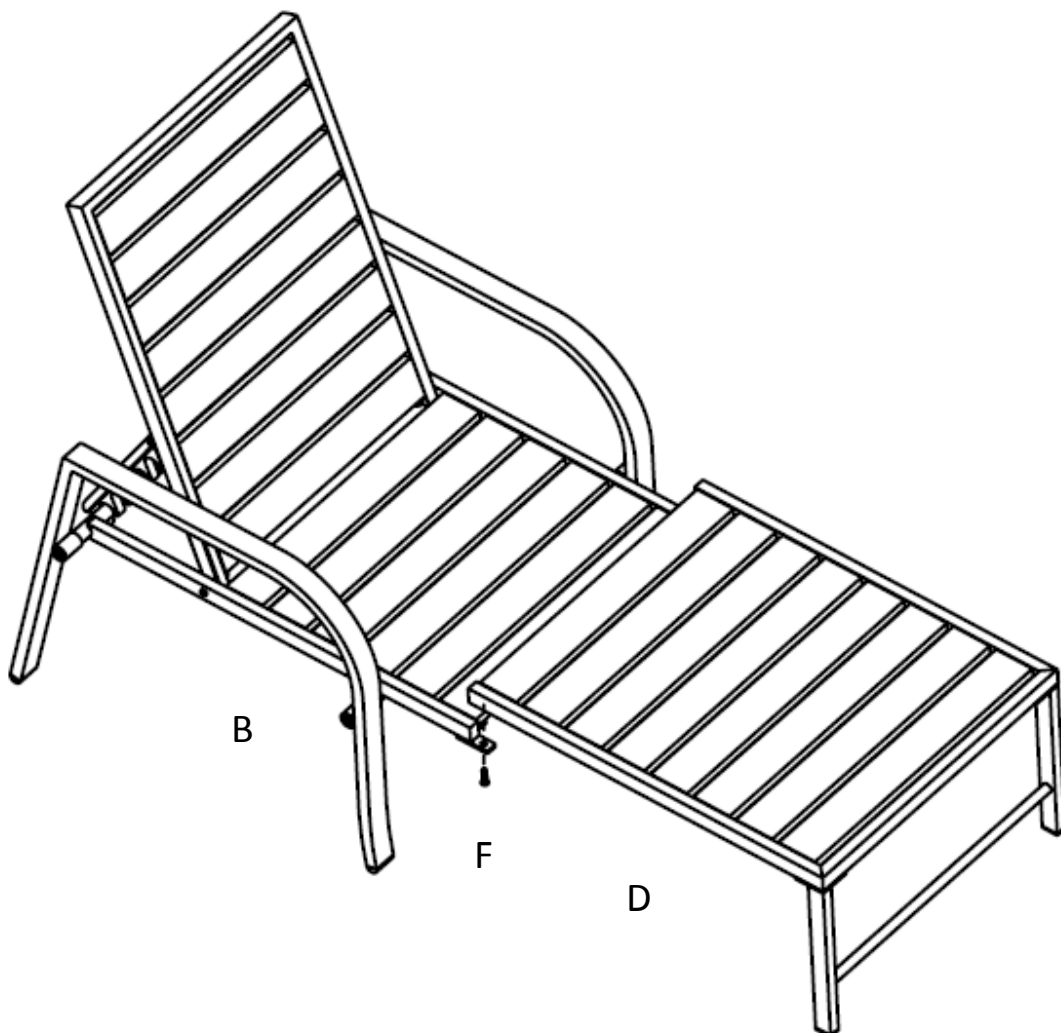
Assembly Instructions

4 Attaching front seat panel to back seat panel

- ATTACH FRONT SEAT PANEL "D" TO BACK SEAT PANEL "A", FASTEN WITH BOLT "F". TIGHTEN HALF THE WAY USE ALLEN WRENCH "L".
- CHECK AND MAKE ADJUSTMENT AS NEED, USING ALLEN WRENCH "L" AND HEX WRENCH "M" FULLY TIGHTEN ALL THE BOLTS.



F(X2)



sears

Please refer to part numbers when reordering
For questions or comments about product:
Email: info@duramen.us or Call toll-free: 1-800-797-3128
between 9:00 a.m. and 4:00 p.m. Pacific time
Or visit our website: www.duramen.us

Made in / Hech en CHINA
Distributed by Sears, roebuck and co., Hoffman Estates, IL 60179

See our extensive assortment of outdoor living products
On-line at www.sears.com and www.kmart.com