

**essential** garden™



Please refer to part numbers when reordering

For questions or comments about product:

Email: [service@nanshanint.com](mailto:service@nanshanint.com) or Call toll-free: 1-877-998-1697

Made in / Hecho en CHINA for Kmart Corporation, Hoffman Estates, IL 60179

See our extensive assortment of outdoor living products  
on-line at [www.sears.com](http://www.sears.com) and [www.kmart.com](http://www.kmart.com)

## USE AND CARE GUIDE

ROUND GRANITE UMBRELLA BASE - GREY

KSN: 0-08711798-2

UPC Code: 045774877915

Date of Purchase: \_\_\_\_/\_\_\_\_/\_\_\_\_

## Thank you for your purchase

---

### **Thank you for your purchase!**

We are pleased that you have chosen Kmart for your outdoor furniture purchase. We hope that you enjoy the unmatched quality, comfort, and style of your new patio set. Every piece is meticulously considered all the way down to the smallest details, exclusively for you, by our world class design team. We know you have a choice when it comes to your patio furniture needs, so from our team to yours, thank you for letting us be a part of your outdoors.

## Table of Contents

---

<b>Table of Contents</b> .....	<b>2</b>
<b>Safety Information</b> .....	<b>3</b>
Set Up your Furniture Properly.....	<b>3</b>
Examine your furniture.....	<b>3</b>
<b>Warranty</b> .....	<b>3</b>
What is Covered.....	<b>3</b>
What is Not Covered.....	<b>3</b>
<b>Care and Maintenance</b> .....	<b>3</b>
<b>Pre-Assembly</b> .....	<b>4</b>
Planning Assembly.....	<b>4</b>
Hardware Included.....	<b>4</b>
Package Contents.....	<b>5</b>
<b>Assembly Instructions</b>	
Umbrella Base.....	<b>6</b>
<b>Customer Service</b> .....	<b>7</b>

# Safety Information

---

## SET UP YOUR FURNITURE PROPERLY

Ensure that all parts are assembled properly and fully tightened as per the instructions.

## EXAMINE YOUR FURNITURE

Examine occasionally to ensure that there are no loose parts. If loose parts are found, they must be retightened fully before additional use.

# Warranty

---

## 1 YEAR WARRANTY FOR FRAME

### WHAT IS COVERED

We warrant to the original purchaser for one year, from the date of purchase, that the frame will be free from manufacturing defects.

### WHAT IS NOT COVERED

This warranty does not cover commercial use, contract, or other non-residential purposes. Warranty does not include nor cover normal fading and discoloration, rust on general metal frames, normal wear and tear, scratches, chips, misuse, abuse, neglect, improper cleaning products, use of sun-tan oils or chemicals, vandalism, damages due to improper assembly, acts of nature, and other circumstances beyond defects in material and workmanship. Corrosion or rusting of hardware is not covered. In addition, purchased parts are not covered under this warranty.

The manufacturer, at its option, will repair or replace the defectives parts. Any replacement of warranted items will be in the original style and color, or a similar style and color if the original is unavailable or has been discontinued. Proof of purchase (date register receipt) is required for warranty claims. It remains the customer's responsibility to pay for freight and packing charges to and from the service center.

Warranty is to the original purchaser and is non-transferable.

As some states do not allow exclusions or limitations on an implied warranty, the above exclusions and limitations may not apply.

This warranty gives you specific rights, and you may also have other rights, which vary from state to state.

# Care and Maintenance

---

1. Though its powder-coated finish is rust-resistant, frame is prone to rust over time with exposure to the elements. In case of rust or scratches, lightly sand the affected area and apply touch-up paint. To maintain the finish, periodically apply wax with a soft cloth.
2. Cover and protect furniture from the elements when not use and store in a dry place in the off season.

## Pre-Assembly

---

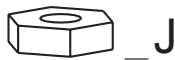
### PLANNING ASSEMBLY

To prevent damage, place all parts on a soft surface during assembly.

### HARDWARE INCLUDED



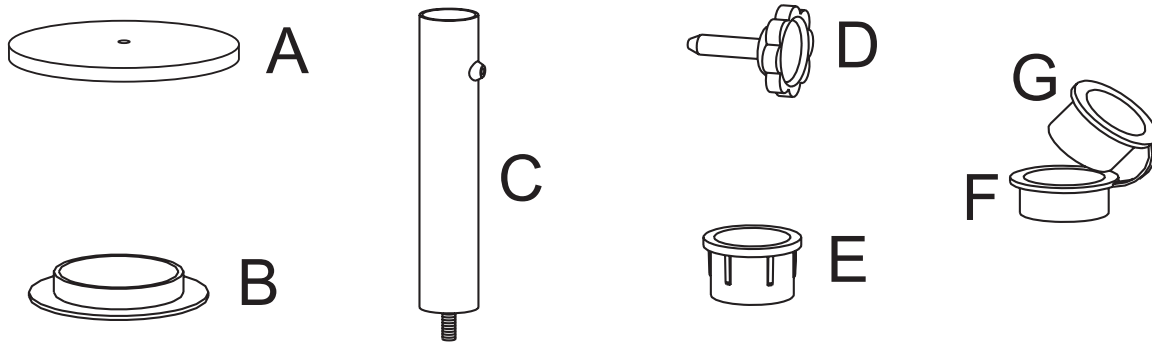
**NOTED:** Hardware not shown to actual size.



Part	Description	Size	QTY.
H	METAL WASHER	( $\Phi$ 10mm)	1
I	SPRING WASHER	( $\Phi$ 10mm)	1
J	NUT	( $\Phi$ 10mm)	1

## Pre-Assembly(continued)

### Package Contents



Part	DESCRIPTION	QUANTITY
A	UMBRELLA BASE	1
B	PLASTIC WASHER	1
C	UMBRELLA BASE POLE	1
D	ADJUSTMENT KNOB	1
E	OUTER POLE ADAPTER	1
F	INNER POLE ADAPTER	1
G	CAP	1

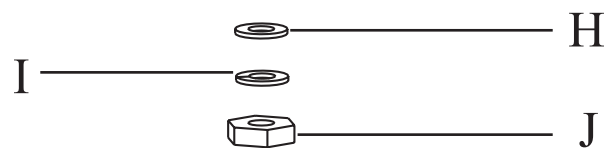
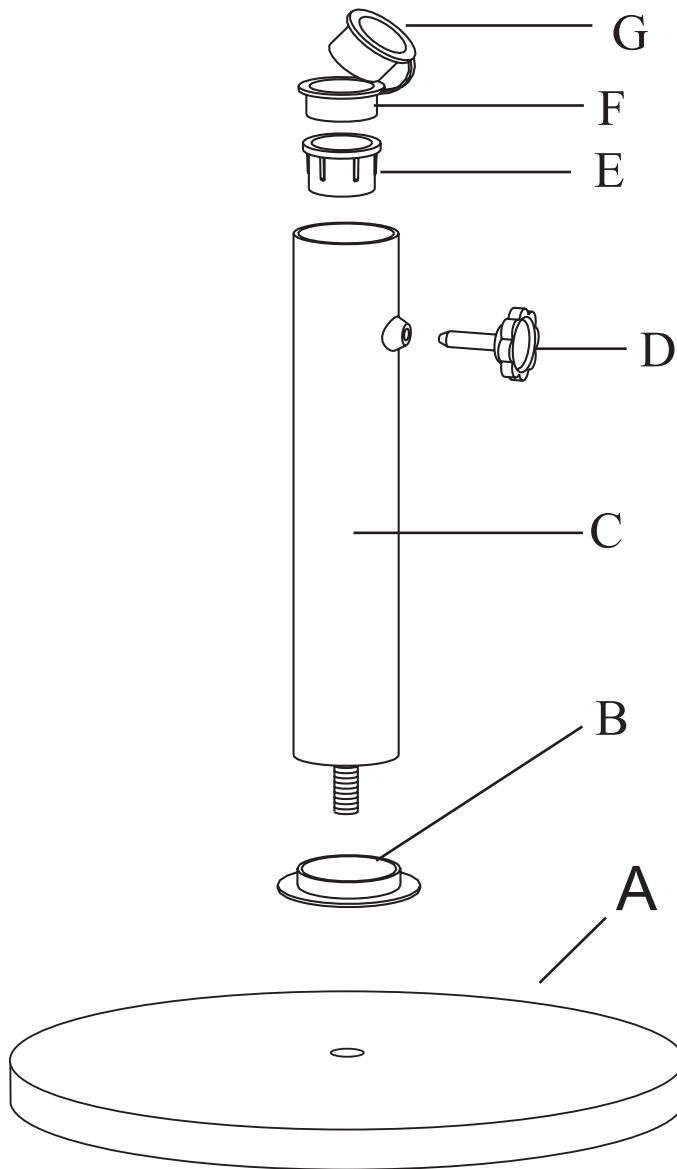
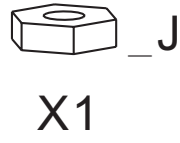
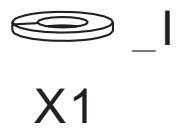


### Safety Information



1. EVERY BOLT NEEDS TO BE USED WITH A WASHER.
2. LEAVE BOLTS HALF-TIGHTENED DURING ASSEMBLY UNTIL UNIT IS COMPLETELY ASSEMBLED, THEN FINISH TIGHTENING ALL BOLTS. MUST TIGHTEN ALL OF BOLTS BEFORE USING THIS ITEM.

# Assembly Instructions



## Customer Service

For All Questions/ Comments, Missing/ Defective Parts Requests:

– Please Contact By:

1. service@nanshanint.com
2. Call toll-free # 1-877-998-1697 from 9:00 AM to 5:00 PM EST  
Monday to Friday
3. Fax # 1- 905-754-3898

With the following Required Customer Purchased Information:

1. Complete Name
2. Email address & phone #
3. Item #/Description - Product Code #, KSN #, UPC Code # - From  
Front cover of Instruction Manual
4. Part description with part # - From Part List in Instruction Manual,  
plus # of pcs
5. Copy of receipt
6. Mailing address

## Important

KMART INSISTS ON THE HIGHEST STANDARDS OF QUALITY IN THE MANUFACTURING OF YOUR FURNITURE. EACH PIECE HAS BEEN CAREFULLY INSPECTED BEFORE SHIPMENT. IN CASE OF A PROBLEM, DO NOT RETURN TO THE STORE, CALL NAN SHAN INT' L CO., LTD. AT PHONE # 1-877-998-1697 BETWEEN 9:00 AM TO 5:00 PM EASTERN STANDARD TIME FOR ANY QUESTIONS OR PROBLEMS YOU MAY HAVE.