
GRAND RESORT®



sears

Please refer to part numbers when reordering

For questions or comments about product:

Email: service@nanshanint.com or Call toll-free: 1-877-998-1697

Made in / Hecho en CHINA

Distributed by Sears, Roebuck and Co., Hoffman Estates, IL 60179

See our extensive assortment of outdoor living products
on-line at www.sears.com and www.kmart.com

Use and Care Guide

Osborn Woven 9pc Dining Set - Red

Product Code: D71 M34624

KSN: 04299516-7

UPC Code: 0 45774 87639 0

Date of Purchase: ___/___/___

Thank you for your purchase

Thank you for your purchase!

We are pleased that you have chosen Sears for your outdoor furniture purchase. We hope that you enjoy the unmatched quality, comfort, and style of your new patio set. Every piece is meticulously considered all the way down to the smallest details, exclusively for you, by our world class design team. We know you have a choice when it comes to your patio furniture needs, so from our team to yours, thank you for letting us be a part of your outdoors.

Table of Contents

Table of Contents	2
Safety Information	3
Set Up your Furniture Properly.....	3
Examine your furniture.....	3
Warranty	3
What is Covered.....	3
What is Not Covered.....	3
Care and Maintenance	4
Pre-Assembly	4
Planning Assembly.....	4
Hardware Included.....	4
Package Contents.....	5
Assembly Instructions	
Table.....	6
Customer Service	7

Safety Information

SET UP YOUR FURNITURE PROPERLY

Ensure that all parts are assembled properly and fully tightened as per the instructions.

EXAMINE YOUR FURNITURE

Examine occasionally to ensure that there are no loose parts. If loose parts are found, they must be retightened fully before additional use.

Warranty

1 YEAR WARRANTY FOR FRAME, RESIN WEAVE

WHAT IS COVERED

We warrant to the original purchaser for one year, from the date of purchase, that the frame, resin weave will be free from manufacturing defects. This warrant also covers peeling, cracking, blistering, discoloration, or fading for this one year period.

WHAT IS NOT COVERED

This warranty does not cover commercial use, contract, or other non-residential purposes. Warranty does not include nor cover normal fading and discoloration of the finish or fabrics, rust on general metal frames, normal wear and tear, scratches, chips, misuse, abuse, neglect, improper cleaning products, use of sun-tan oils or chemicals, vandalism, damages due to improper assembly, acts of nature, fire, freezing, abusive use, and other circumstances beyond defects in material and workmanship.

Glass tabletop breakage and corrosion or rusting of hardware are not covered.

In addition, purchased parts are not covered under this warranty.

The manufacturer, at its option, will repair or replace the defectives parts.

Any replacement of warranted items will be in the original style and color, or a similar style and color if the original is unavailable or has been discontinued.

Proof of purchase (date register receipt) is required for warranty claims.

It remains the customer's responsibility to pay for freight and packing charges to and from the service center.

Warranty is to the original purchaser and is non-transferable.

As some states do not allow exclusions or limitations on an implied warranty, the above exclusions and limitations may not apply.

This warranty gives you specific rights, and you may also have other rights, which vary from state to state.

3 YEARS WARRANTY FOR SUNBRELLA FABRIC

Fabric is warranted to be free from manufacturing defects for a period of three (3) years.

Discoloration or fading of the finish as a result of exposure to the elements, chemicals, or spills is not covered.

The above statement "WHAT IS NOT COVERED" also applies to the fabric.

Care and Maintenance

1. Resin wicker is suitable for indoor or outdoor use and resists fading and mildew. To maintain it, wipe frame with a slightly damp cloth and dry completely; do not use bleach or solvents.
2. Though its powder-coated finish is rust-resistant, frame is prone to rust over time with exposure to the elements. In case of rust or scratches, lightly sand the affected area and apply touch-up paint. To maintain the finish, periodically apply wax with a soft cloth.
3. Wash the frame with a mild solution of soap and water, rinse with clean water, and dry thoroughly.
4. Cushions may also be clean by hand with a mild solution of soap and water. Rinse the cushion cover thoroughly and allow to drip dry. The back cushion should be spot cleaned with a soft cloth. Do not machine wash or tumble dry, as cushions may shrink. Do not use bleach or solvents on fabrics. Never use cleaners that contain acid or abrasive materials.
5. Do not store anything on glass tabletop. Ensure the "O" ring is in place in the umbrella hole in the glass top before inserting umbrella.
6. To prolong the life of your outdoor furniture, cover furniture with outdoor-furniture covers when not in use. Store indoors during winter months.

Pre-Assembly

PLANNING ASSEMBLY

To prevent damage, place all parts on a soft surface during assembly.

HARDWARE INCLUDED



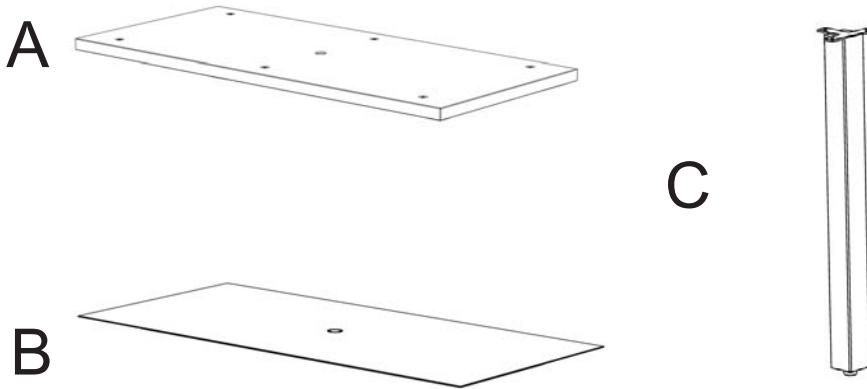
NOTED: Hardware not shown to actual size.



Part	Description	Size	QTY.
D	BOLT	(Φ6X15mm)	12
E	WASHER	(Φ6mm)	12

Pre-Assembly(continued)

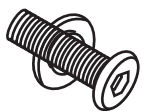
Package Contents



Part	DESCRIPTION	QUANTITY
A	TABLE TOP	1
B	GLASS PANEL	1
C	TABLE LEG	4



Safety Information

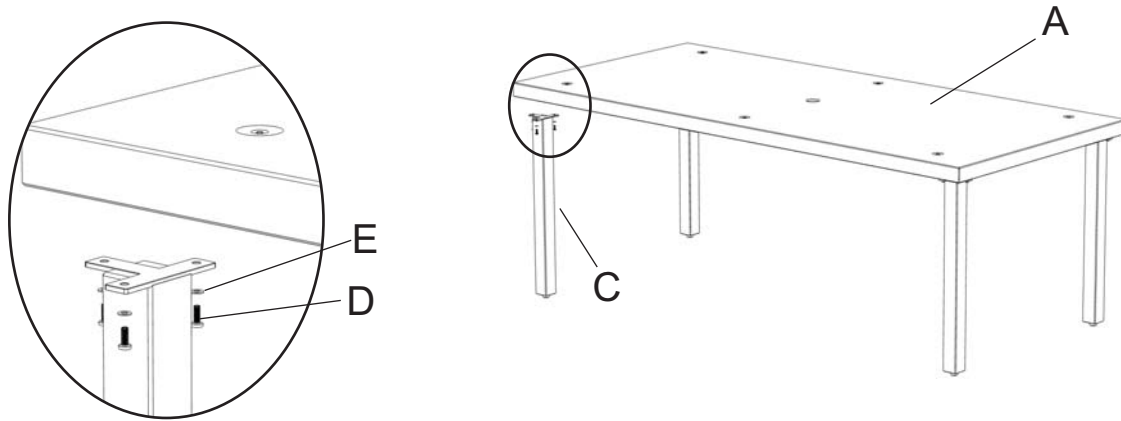


1. EVERY BOLT NEEDS TO BE USED WITH A WASHER.
2. LEAVE BOLTS HALF-TIGHTENED DURING ASSEMBLY UNTIL UNIT IS COMPLETELY ASSEMBLED, THEN FINISH TIGHTENING ALL BOLTS. MUST TIGHTEN ALL OF BOLTS BEFORE USING THIS ITEM.

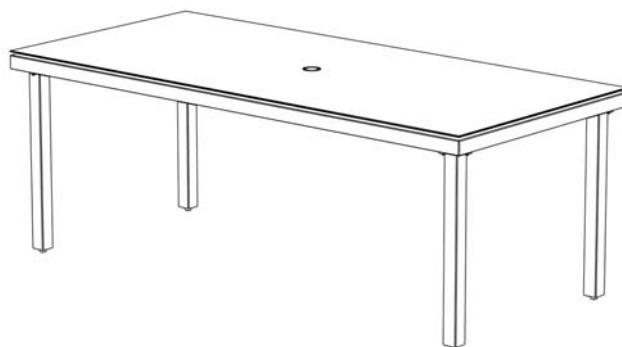
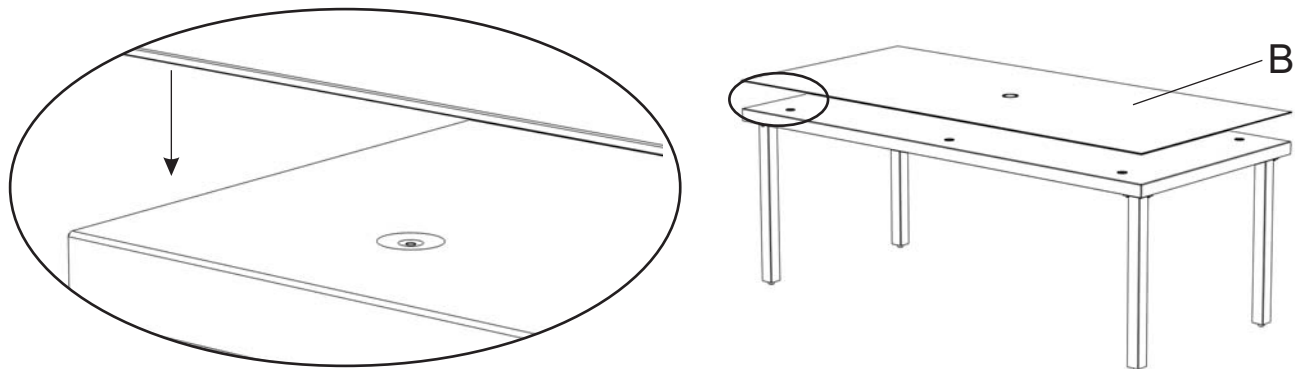
Assembly Instructions

Table assembly (note: No need to assemble chair)

Note: Leave bolts half tightened until completely assembled. After assembly is complete, tighten bolts fully.



Note: Put and fix the glass panel (B) onto the table before using the item.



Customer Service

For All Questions/ Comments, Missing/ Defective Parts Requests:

– Please Contact By:

1. service@nanshanint.com
2. Call toll-free # 1-877-998-1697 from 9:00 AM to 5:00 PM EST
Monday to Friday
3. Fax # 1-905-754-3898

With the following Required Customer Purchased Information:

1. Complete Name
2. Email address & phone #
3. Item #/Description - Product Code #, KSN #, UPC Code # - From
Front cover of Instruction Manual
4. Part description with part # - From Part List in Instruction Manual,
plus # of pcs
5. Copy of receipt
6. Mailing address

Important

SEARS INSISTS ON THE HIGHEST STANDARDS OF QUALITY IN THE MANUFACTURING OF YOUR FURNITURE. EACH PIECE HAS BEEN CAREFULLY INSPECTED BEFORE SHIPMENT. IN CASE OF A PROBLEM, DO NOT RETURN TO THE STORE, CALL NAN SHAN INT' L CO., LTD. AT PHONE # 1-877-998-1697

BETWEEN 9:00 AM TO 5:00 PM EASTERN STANDARD TIME FOR ANY QUESTIONS OR PROBLEMS YOU MAY HAVE.