

---

## USE AND CARE GUIDE

### BISBEE DINING TABLE

Product code: 0-08738421-0  
UPC code: 471 333112 114 1  
Vendor Item: SC-K-521T

Date of purchase: \_\_\_\_/\_\_\_\_/\_\_\_\_

## Thank you for your purchase

---

### Thank you for your purchase

We are pleased that you have chosen Kmart for your outdoor furniture purchase. We hope that you enjoy the unmatched quality, comfort, and style of your new patio set. Every piece is meticulously considered all the way down to the smallest details, exclusively for you, by our world class design team. We know you have a choice when it comes to your patio furniture needs, so from our team to yours, thank you for letting us be a part of your outdoors.

## Table of Contents

---

<b>Table of Contents.....</b>	<b>2</b>
<b>Safety Information.....</b>	<b>3</b>
Set Up your Furniture Properly.....	3
Examine your furniture.....	3
<b>Warranty.....</b>	<b>3</b>
<b>Care and Maintenance.....</b>	<b>4</b>
<b>Pre-Assembly.....</b>	<b>4</b>
Planning Assembly.....	4
Observe weight Limits.....	4
Hardware Included.....	4
<b>Assembly Instructions</b>	
<b>Package Contents.....</b>	<b>5</b>
<b>Table.....</b>	<b>6</b>
<b>Customer Service.....</b>	<b>6</b>

## Safety Information

### SET UP YOUR FURNITURE PROPERLY

- Ensure that all parts are assembled properly and fully tightened as per the instructions.
- When placing in the desired location, ensure that all legs are resting on the same surface. You may adjust the legs levelers as required to ensure that the item stands in a rigid position.

### EXAMINE YOUR FURNITURE

- Examine occasionally to ensure that there are no loose parts. If loose parts are found, they must be retightened fully before additional use.

## Warranty

### WARRANTY

We warrant our products to be free of manufacturing defects to the original purchaser for the period listed below. We reserve the right to make substitutions with similar merchandise, if the model in question is no longer in production.

### EXCLUSIONS

This warranty does not cover: Furniture used for commercial or non-residential purposes; failures caused by improper care; unreasonable or abusive use; freeze damage; acts of nature. Steel products are not covered against rust. Tempered glass table tops are not covered against breakage.

### FINISH

Frame finish is warranted to be free of manufacturing defects for a period of one (1) year. Discoloration or fading of the finish as a result of exposure to the elements, chemicals, or spills is not covered.

### FABRIC

Fabric is warranted to be free of manufacturing defects for a period of one (1) year. Discoloration or fading of the finish as a result of exposure to the elements, chemicals, or spills is not covered.

### FRAMES

Frame is warranted to be free from defects in material or workmanship for a period of one (1) year for steel frame.

### FREIGHT & PACKAGING

Freight and packaging are the responsibility of the original purchaser.

### CUSTOMER SERVICE

In case of a problem, call 1-800-457-4652 between 9:00 am to 5:00 pm Eastern standard time Monday through Friday or contact us at [www.numarkcustomerservice.com](http://www.numarkcustomerservice.com) for any question or problems you may have.

## Care and Maintenance

- Though its powder-coated finish is rust-resistant, steel is prone to rust over time with exposure to the elements. In case of rust or scratches, lightly sand the affected area and apply touch-up paint. To maintain the finish periodically apply wax with a soft cloth.
- Always use an umbrella base to secure umbrella. Do not store anything on glass tabletop. Ensure the “o” ring is in place in the umbrella hole in the glass top before inserting umbrella. Make sure umbrella is in the closed position when not in use and during high winds. Use furniture covers or store indoors during cold or inclement weather.
- Wash frames with a mild solution of soap and water; rinse thoroughly. Do not use bleach or solvents.

## Pre-Assembly

### PLANNING ASSEMBLY

Read through all the instructions before beginning assembly. Unpack and identify all the parts. Place them on a flat, non-abrasive surface. Assembly by two people is recommended.

### OBSERVE WEIGHT LIMITS

The recommended weight limits for the following products are listed below:

- Table: 100 lbs



**CAUTION:** If you overload your furniture, injuries can occur.

### HARDWARE INCLUDED



**NOTED:** Hardware not shown to actual size.

Da (1 spare)  
Bolt



Db (4)  
Screw



Dc (1 spare)  
Glass Bumper



Dd (1)  
Umbrella  
Insert Piece



De (1)  
Allen Wrench



## Pre-Assembly



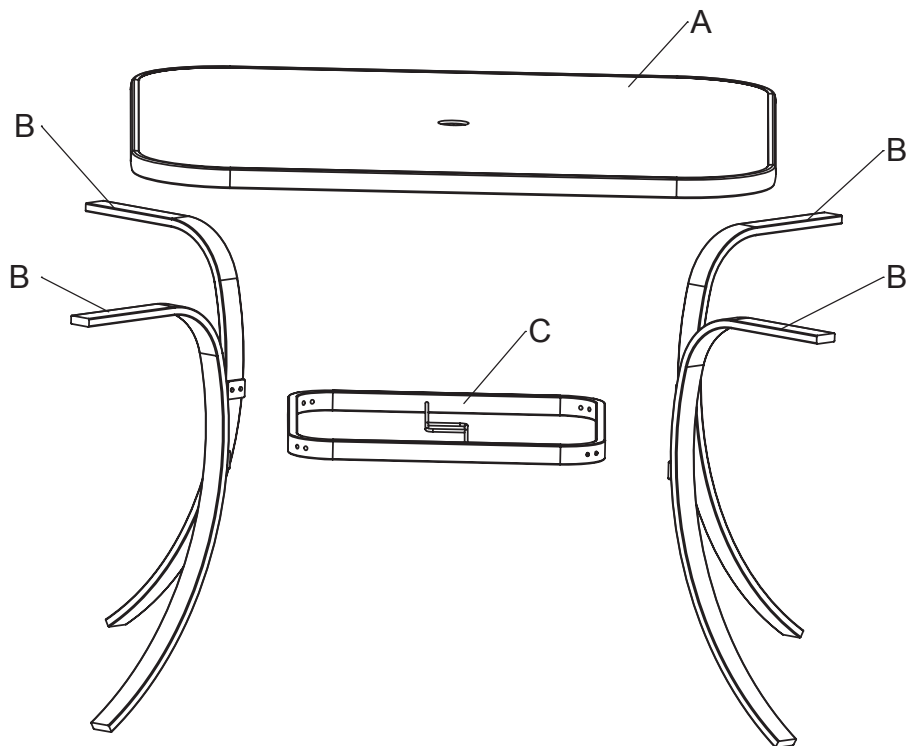
## Safety Information

Do not completely tighten bolts and screws until indicated in assembly step.

## Assembly Instructions

### Package Contents

ITEM	DESCRIPTION	QUANTITY
A	Tempered Glass Tabletop with Rim	1
B	Leg (2 Metal Washers and 2 Bolts attached for each)	4
C	Metal Center Ring	1



# Assembly Instructions

## 1 Attaching the table leg to the tabletop and then attaching the metal center ring to four legs

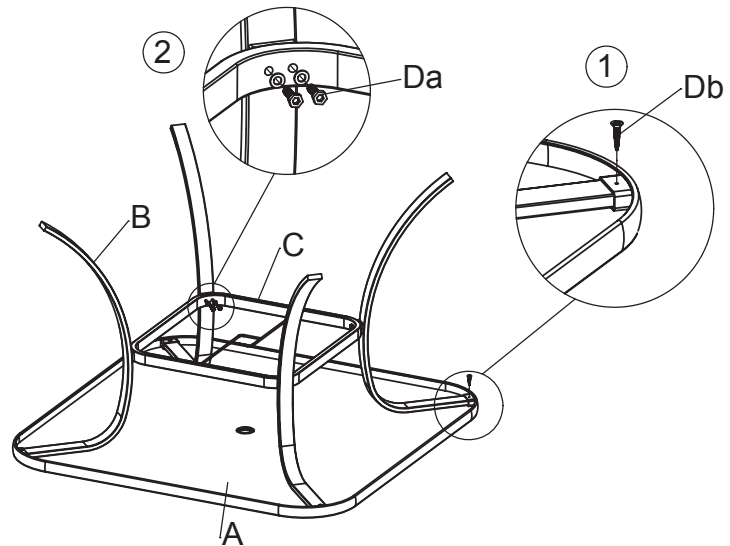
Da x 8  
Bolt  
(remove from the leg)



Db x 4  
Screw



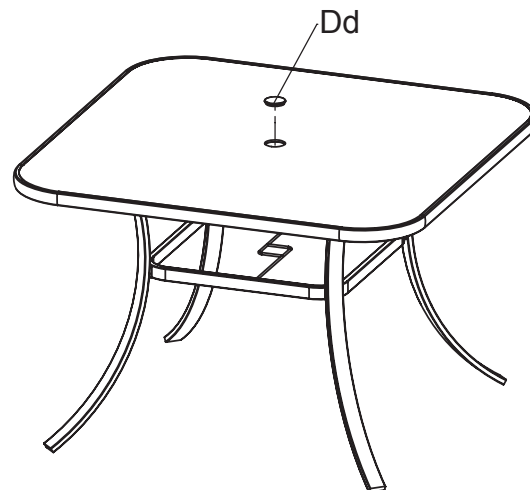
Metal Washer x 8  
(remove from the leg)



- Securely tighten all screws.
- Repeat procedure for the remaining three legs.

## 2 Pressing the umbrella insert piece into the umbrella hole when there is no use of it

Dd x 1  
Umbrella  
Insert Piece



- Tighten all bolts in a diagonal pattern.
- Your table is now ready for use. Enjoy!



Please refer to part numbers when reordering

For questions or comments about product:

Call toll-free: 1-800-457-4652

between 9:00 am to 5:00 pm Eastern standard time Monday through Friday  
or contact us at [www.numarkcustomerservice.com](http://www.numarkcustomerservice.com)

Made in / Hecho en CHINA for Kmart Corporation, Hoffman Estates, IL 60179

See our extensive assortment of outdoor living products  
on-line at [www.sears.com](http://www.sears.com) and [www.kmart.com](http://www.kmart.com)