

Use and Care Guide

PALMETTO 7PCS DINING SET

Product code: D71 M20309
UPC code: 471 333112 181 3
Vendor Item: SS-K-233NR/6

Date of purchase: ____/____/____

Thank you for your purchase

Thank you for your purchase

We are pleased that you have chosen Sears for your outdoor furniture purchase. We hope that you enjoy the unmatched quality, comfort, and style of your new patio set. Every piece is meticulously considered all the way down to the smallest details, exclusively for you, by our world class design team. We know you have a choice when it comes your patio furniture needs, so from our team to yours, thank you for letting us be a part of your outdoors.

Table of Contents

Table of Contents	2
Safety Information	3
Set Up your Furniture Properly.....	3
Examine your furniture.....	3
Warranty	3
Care and Maintenance	4
Pre-Assembly	4
Planning Assembly.....	4
Observe weight Limits.....	4
Hardware Included.....	4
Assembly Instructions	
Package Content	5
Chair	6
Rocker	8
Customer Service	9

Safety Information

SET UP YOUR FURNITURE PROPERLY

- Ensure that all parts are assembled properly and fully tightened as per the instructions.
- When placing in the desired location, ensure that all legs are resting on the same surface. You may adjust the legs levelers as required to ensure that the item stands in a rigid position.

EXAMINE YOUR FURNITURE

- Examine occasionally to ensure that there are no loose parts. If loose parts are found, they must be retightened fully before additional use.

Warranty

WARRANTY

We warrant our products to be free of manufacturing defects to the original purchaser for the period listed below. We reserve the right to make substitutions with similar merchandise, if the model in question is no longer in production.

EXCLUSIONS

This warranty does not cover: Furniture used for commercial or non-residential purposes; failures caused by improper care; unreasonable or abusive use; freeze damage; acts of nature. Steel products are not covered against rust. Tempered glass table tops are not covered against breakage.

FINISH

Frame finish is warranted to be free of manufacturing defects for a period of one (1) year. Discoloration or fading of the finish as a result of exposure to the elements, chemicals, or spills is not covered.

FABRIC

Fabric is warranted to be free of manufacturing defects for a period of one (1) year. Discoloration or fading of the finish as a result of exposure to the elements, chemicals, or spills is not covered.

FRAMES

Frame is warranted to be free from defects in material or workmanship for a period of two (2) years for steel frame. This product is made with a steel frame.

FREIGHT & PACKAGING

Freight and packaging are the responsibility of the original purchaser.

CUSTOMER SERVICE

In case of a problem, call 1-800-457-4652 between 9:00 am to 5:00 pm Eastern standard time Monday through Friday or contact us at www.numarkcustomerservice.com for any question or problems you may have.

Care and Maintenance

- Though its powder-coated finish is rust-resistant, steel is prone to rust over time with exposure to the elements. In case of rust or scratches, lightly sand the affected area and apply touch-up paint. To maintain the finish periodically apply wax with a soft cloth.
- Wash frames and cushions with a mild solution of soap and water; rinse thoroughly. Dry completely and drip-dry cushions. Do not use bleach or solvents.

Pre-Assembly

PLANNING ASSEMBLY

Read through all the instructions before beginning assembly. Unpack and identify all the parts. Place them on a flat, non-abrasive surface. Assembly by two people is recommended.

OBSERVE WEIGHT LIMITS

The recommended weight limits for the following products are listed below:

- Chair : 225 lbs
- Rocker: 225 lbs



CAUTION: If you overload your furniture, injuries can occur.

HARDWARE INCLUDED



NOTED: Hardware not shown to actual size.

Ka (24 + 2 spare)
M6 Short Bolt



Kb (28 + 2 spare)
M6 Long Bolt



Kc (4)
M8 Bolt



Kd (52)
M6 Metal Washer



Ke (4)
M8 Metal Washer



Kf (4)
M8 Locker



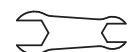
Kg (4)
M8 Nut



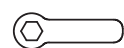
Kh (2)
Allen Wrench



Ki (1)
Open Hex Wrench



Kj (1)
M8 Hex Wrench



Kk (1)
Assembly
Instructions Sheet



Pre-Assembly



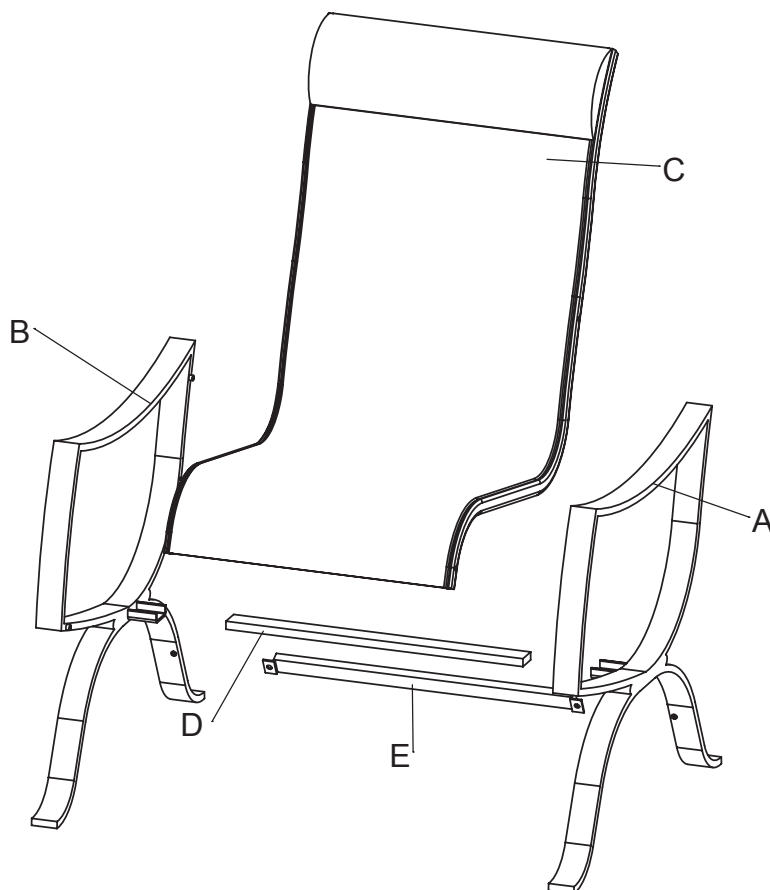
Safety Information

Do not completely tighten bolts and nuts until indicated in assembly step.

Assembly Instructions

Package Contents

ITEM	DESCRIPTION	QUANTITY
A	Chair Left Arm	4
B	Chair Right Arm	4
C	Chair Sling Seat And Back	4
D	Chair Connection Bar	4
E	Chair Rear Connection Bar	4



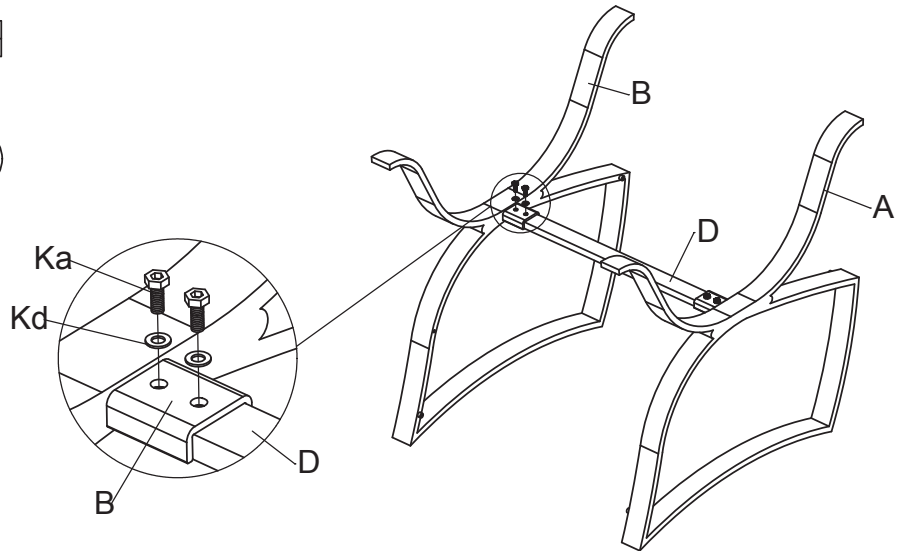
Assembly Instructions

1 Attaching the chair connection bar to the chair arm

Ka x 4
M6 Short Bolt



Kd x 4
M6 Metal Washer



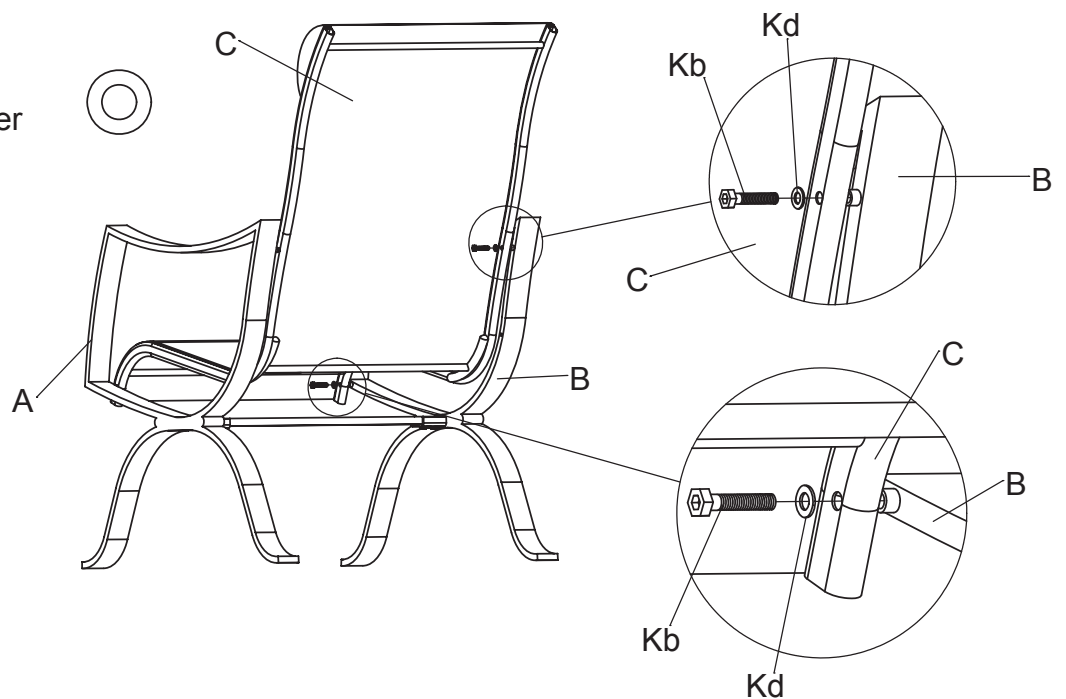
- Don't tighten completely.
- Repeat procedure for the other side.

2 Attaching the chair sling seat and back to the chair arm

Kb x 4
M6 Long Bolt



Kd x 4
M6 Metal Washer



- Don't tighten completely.
- Repeat procedure for the other arm.

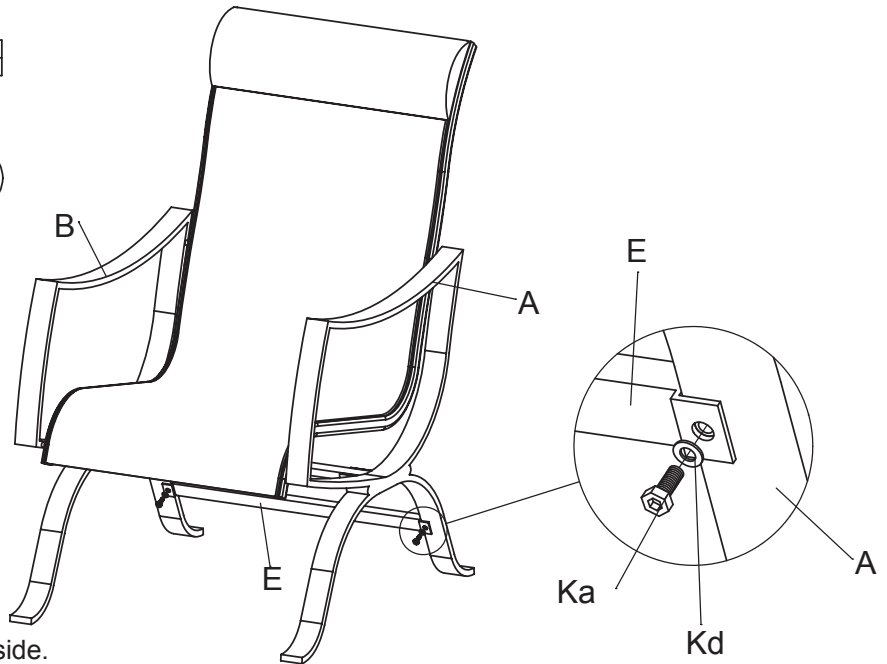
Assembly Instructions

3 Attaching the rear connection bar to the chair arm

Ka x 2
M6 Short Bolt



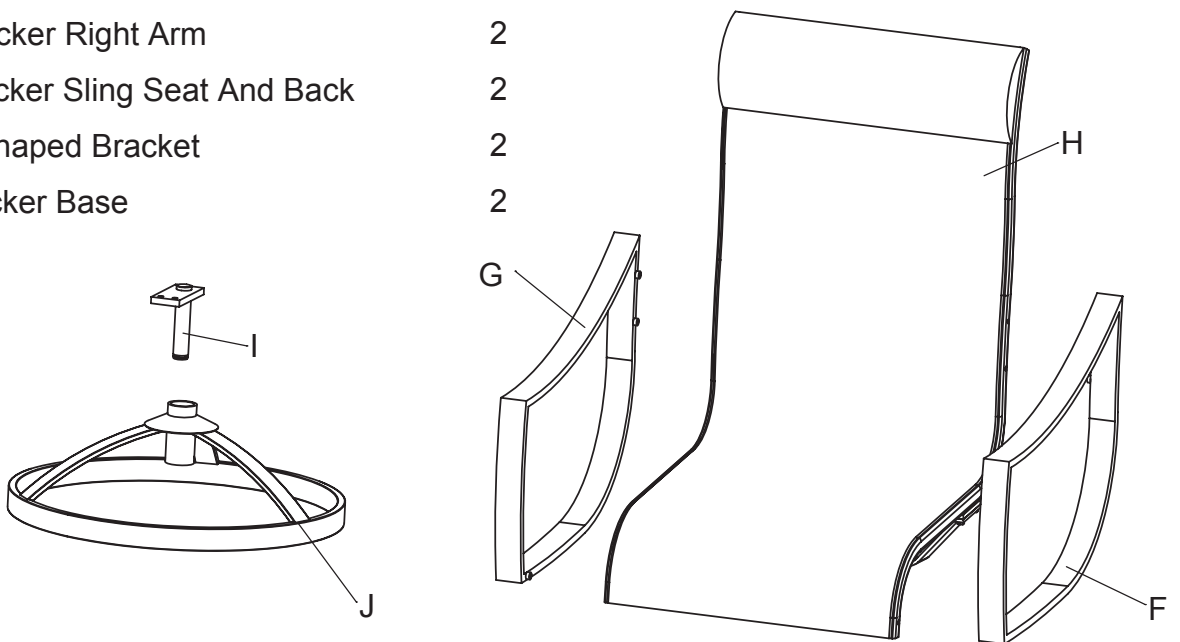
Kd x 2
M6 Metal Washer



- Don't tighten completely.
- Repeat procedure for the other side.
- Securely tighten all bolts
- Repeat procedure for the other three chairs.

Package Contents

ITEM	DESCRIPTION	QUANTITY
F	Rocker Left Arm	2
G	Rocker Right Arm	2
H	Rocker Sling Seat And Back	2
I	T-shaped Bracket	2
J	Rocker Base	2



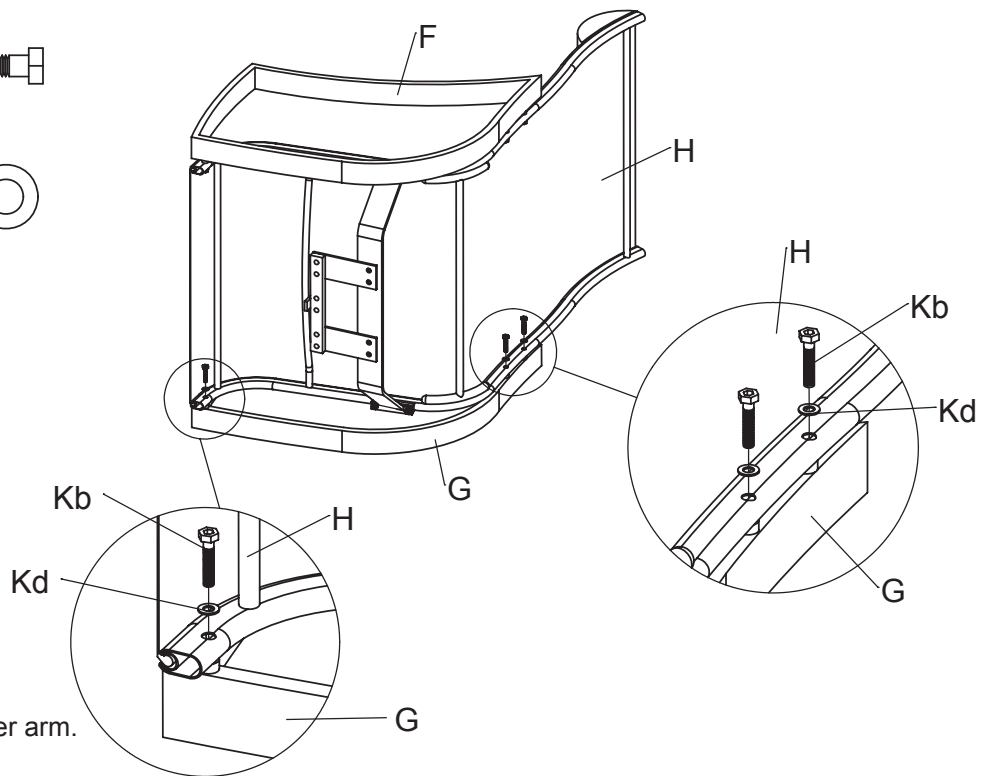
Assembly Instructions

1 Attaching the sling seat and back to the rocker arm

Kb x 6
M6 Long Bolt



Kd x 6
M6 Metal Washer



- Don't tighten completely.
- Repeat procedure for the other arm.
- Securely tighten all bolts.

2 Attaching the T-shaped bracket to the rocker sling seat and back

Kc x 2
M8 Bolt



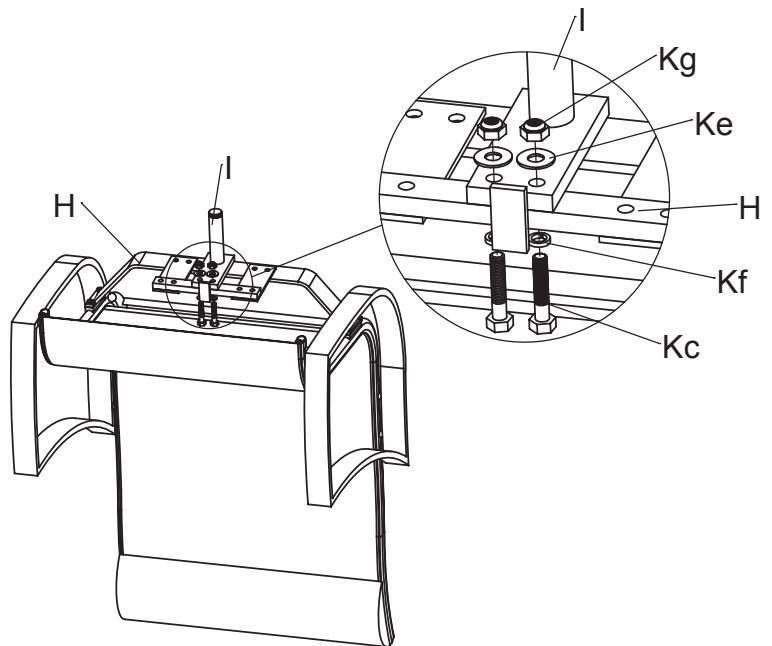
Ke x 2
M8 Metal Washer



Kf x 2
M8 Locker



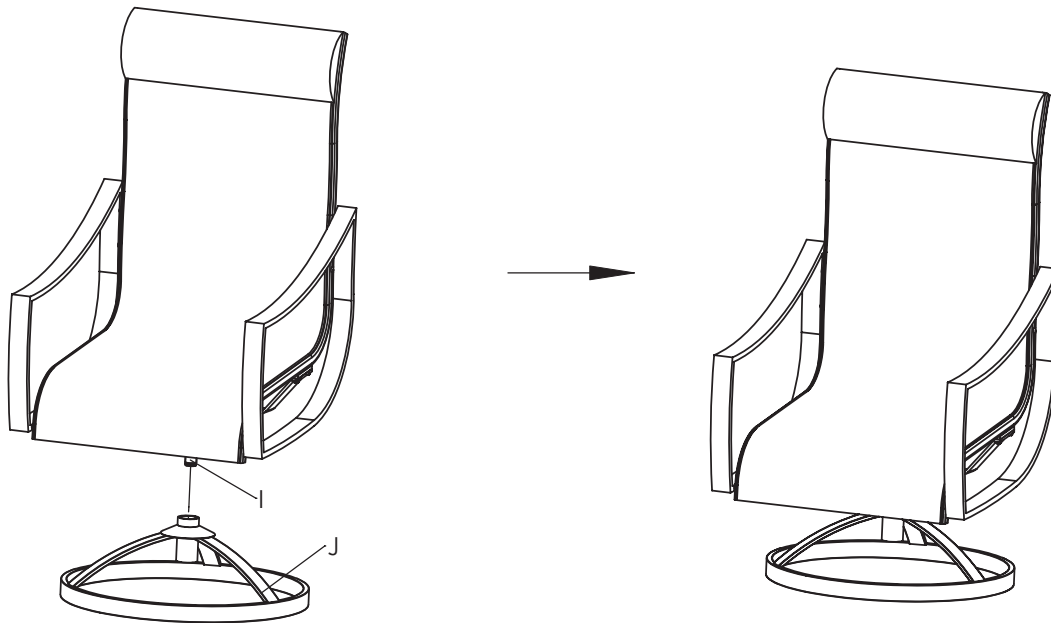
Kg x 2
M8 Nut



- Don't tighten completely.
- Repeat procedure for the other arm.
- Securely tighten all bolts.

Assembly Instructions

3 Pushing the T-shaped bracket to the rocker base



- Repeat procedure for the other motion chair.
- Your chairs is now ready for use.

sears

Please refer to part numbers when reordering

For questions or comments about product:

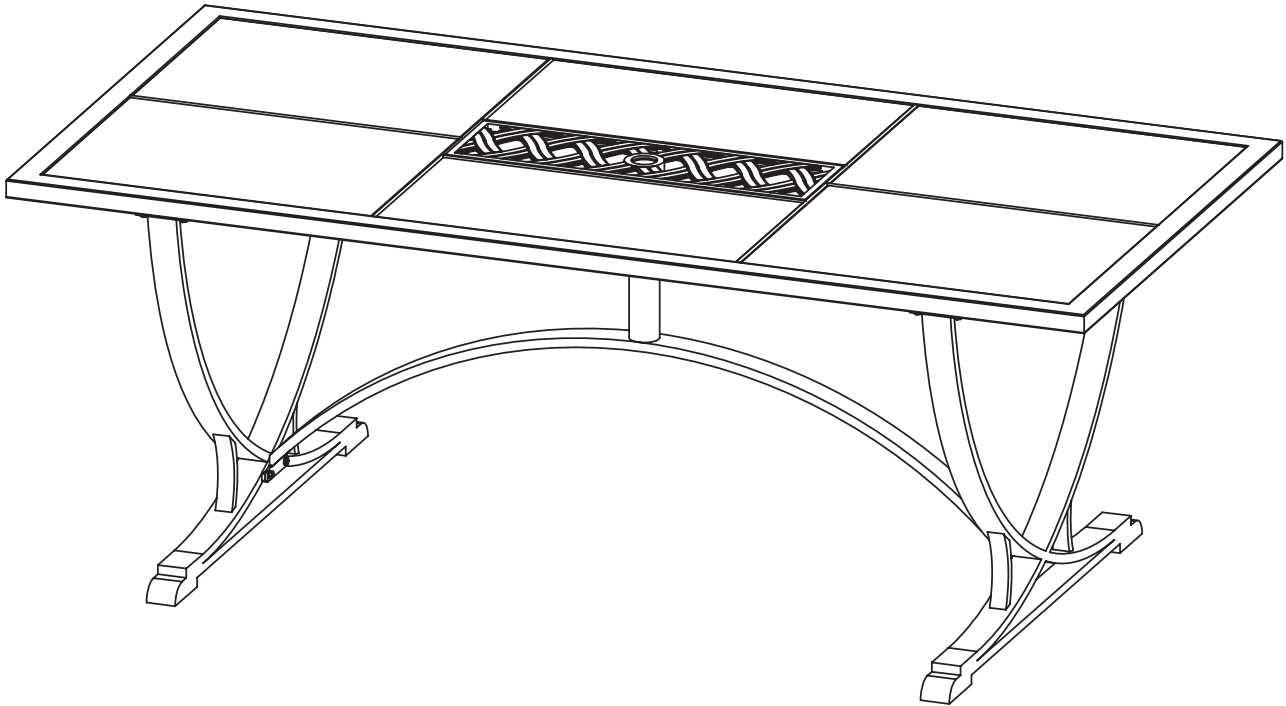
Call toll-free: 1-800-457-4652

between 9:00 am to 5:00 pm Eastern standard time Monday through Friday
or contact us at www.numarkcustomerservice.com

Made in / Hecho en CHINA

Distributed by Sears, Roebuck and Co., Hoffman Estates, IL 60179

See our extensive assortment of outdoor living products
on-line at www.sears.com and www.kmart.com



Use and Care Guide

PALMETTO 7PCS DINING SET

Product code: D71 M20309
UPC code: 471 333112 181 3
Vendor Item: SS-K-233NT

Date of purchase: ____/____/____

Thank you for your purchase

Thank you for your purchase

We are pleased that you have chosen Sears for your outdoor furniture purchase. We hope that you enjoy the unmatched quality, comfort, and style of your new patio set. Every piece is meticulously considered all the way down to the smallest details, exclusively for you, by our world class design team. We know you have a choice when it comes your patio furniture needs, so from our team to yours, thank you for letting us be a part of your outdoors.

Table of Contents

Table of Contents	2
Safety Information	3
Set Up your Furniture Properly.....	3
Examine your furniture.....	3
Warranty	3
Care and Maintenance	4
Pre-Assembly	4
Planning Assembly.....	4
Observe weight Limits.....	4
Hardware Included.....	4
Assembly Instructions	
Package Content	5
Table	6
Customer Service	8

Safety Information

SET UP YOUR FURNITURE PROPERLY

- Ensure that all parts are assembled properly and fully tightened as per the instructions.
- When placing in the desired location, ensure that all legs are resting on the same surface. You may adjust the legs levelers as required to ensure that the item stands in a rigid position.

EXAMINE YOUR FURNITURE

- Examine occasionally to ensure that there are no loose parts. If loose parts are found, they must be retightened fully before additional use.

Warranty

WARRANTY

We warrant our products to be free of manufacturing defects to the original purchaser for the period listed below. We reserve the right to make substitutions with similar merchandise, if the model in question is no longer in production.

EXCLUSIONS

This warranty does not cover: Furniture used for commercial or non-residential purposes; failures caused by improper care; unreasonable or abusive use; freeze damage; acts of nature. Steel products are not covered against rust. Tempered glass table tops are not covered against breakage.

FINISH

Frame finish is warranted to be free of manufacturing defects for a period of one (1) year. Discoloration or fading of the finish as a result of exposure to the elements, chemicals, or spills is not covered.

FABRIC

Fabric is warranted to be free of manufacturing defects for a period of one (1) year. Discoloration or fading of the finish as a result of exposure to the elements, chemicals, or spills is not covered.

FRAMES

Frame is warranted to be free from defects in material or workmanship for a period of two (2) years for steel frame. This product is made with a steel frame.

FREIGHT & PACKAGING

Freight and packaging are the responsibility of the original purchaser.

CUSTOMER SERVICE

In case of a problem, call 1-800-457-4652 between 9:00 am to 5:00 pm Eastern standard time Monday through Friday or contact us at www.numarkcustomerservice.com for any question or problems you may have.

Care and Maintenance

- Though its powder-coated finish is rust-resistant, steel is prone to rust over time with exposure to the elements. In case of rust or scratches, lightly sand the affected area and apply touch-up paint. To maintain the finish periodically apply wax with a soft cloth.
- Tabletop ceramic tiles must be stored during fall and winter months in a dry location where temperatures will not fall below 32°F (0°C). Always use an umbrella base to secure umbrella. Ensure the “o” ring is in place in the umbrella hole in the glass top before inserting umbrella. Make sure umbrella is in the closed position when not in use and during high winds. Use furniture covers or store indoors during cold or inclement weather.

Pre-Assembly

PLANNING ASSEMBLY

Read through all the instructions before beginning assembly. Unpack and identify all the parts. Place them on a flat, non-abrasive surface. Assembly by two people is recommended.

OBSERVE WEIGHT LIMITS

The recommended weight limits for the following products are listed below:

- Table: 100 lbs



CAUTION: If you overload your furniture, injuries can occur.

HARDWARE INCLUDED



NOTED: Hardware not shown to actual size.

Fa (1 spare)
Bolt



Fb (4 spare)
Thicker Tile Bumper



Fc (4 spare)
Thinner Tile Bumper



Fd (1)
Allen Wrench



Fe (1)
Assembly
Instructions Sheet



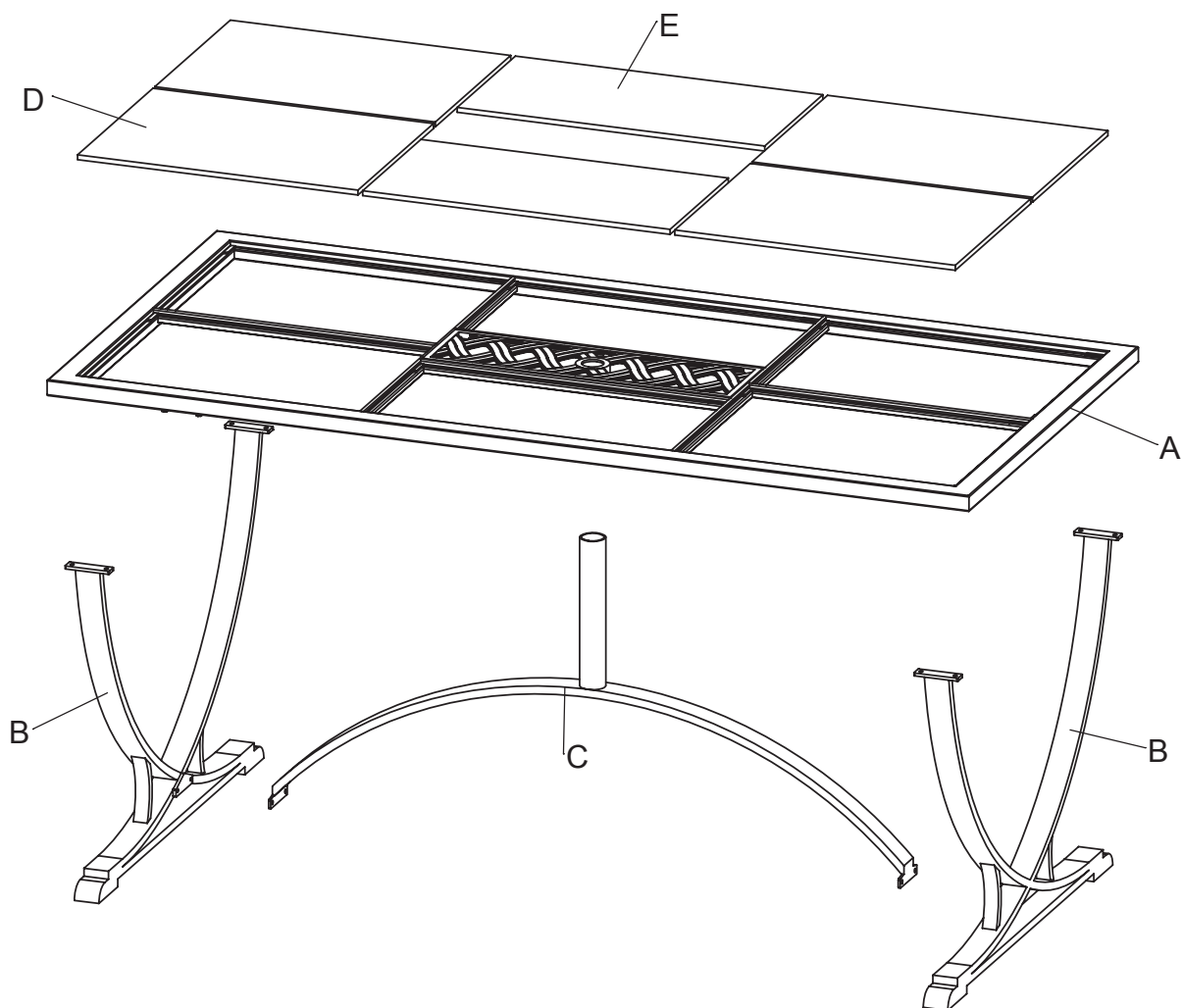
Safety Information

Do not completely tighten bolts and nuts until indicated in assembly step.

Assembly Instructions

Package Contents

ITEM	DESCRIPTION	QUANTITY
A	Table Rim (8 Bolts and 8 Metal Washers attached)	1
B	Metal Leg (2 Bolts and 2 Metal Washers attached for each)	2
C	Metal Center Ring	1
D	Large Tile	4
E	Small Tile	2



Assembly Instructions

1 Attaching the leg to the table rim

Fa x 8

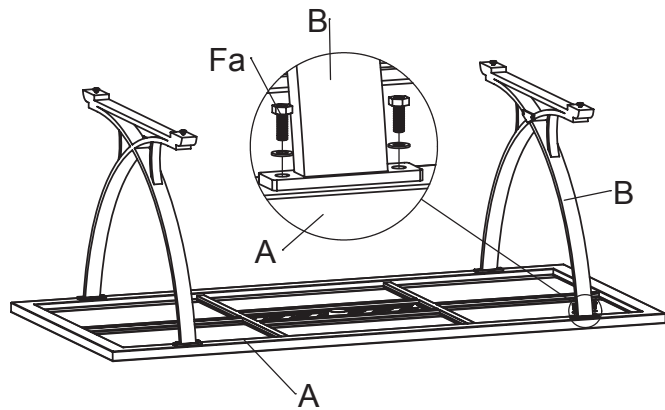
Bolt

(Remove from the table rim)



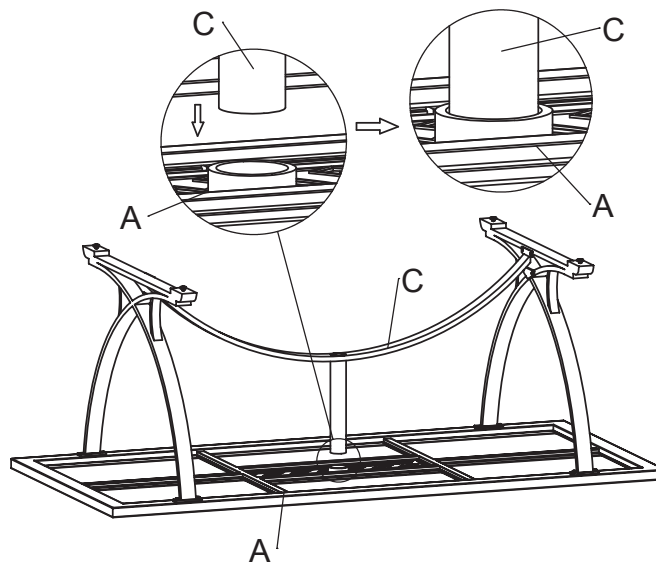
M6 Metal Washer x 8

(Remove from the table rim)



- Don't tighten completely.
- Repeat procedure for the other side.
- Repeat procedure for the other leg.

2 Attaching the metal center ring to the table rim



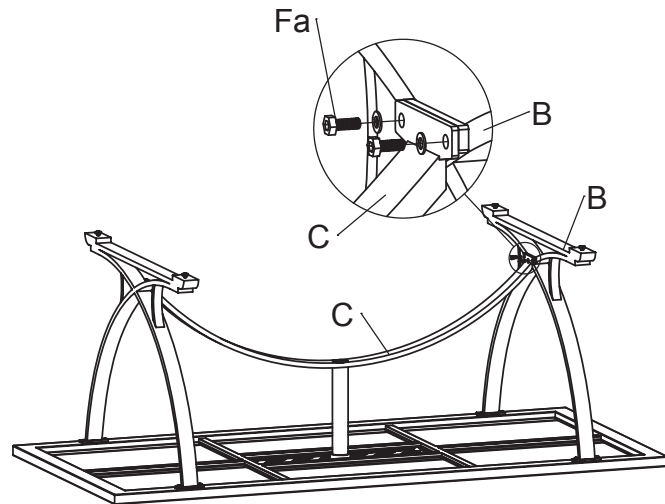
Assembly Instructions

3 Attaching the metal center ring to the table rim

Fa x 4
Bolt
(Remove from the leg)

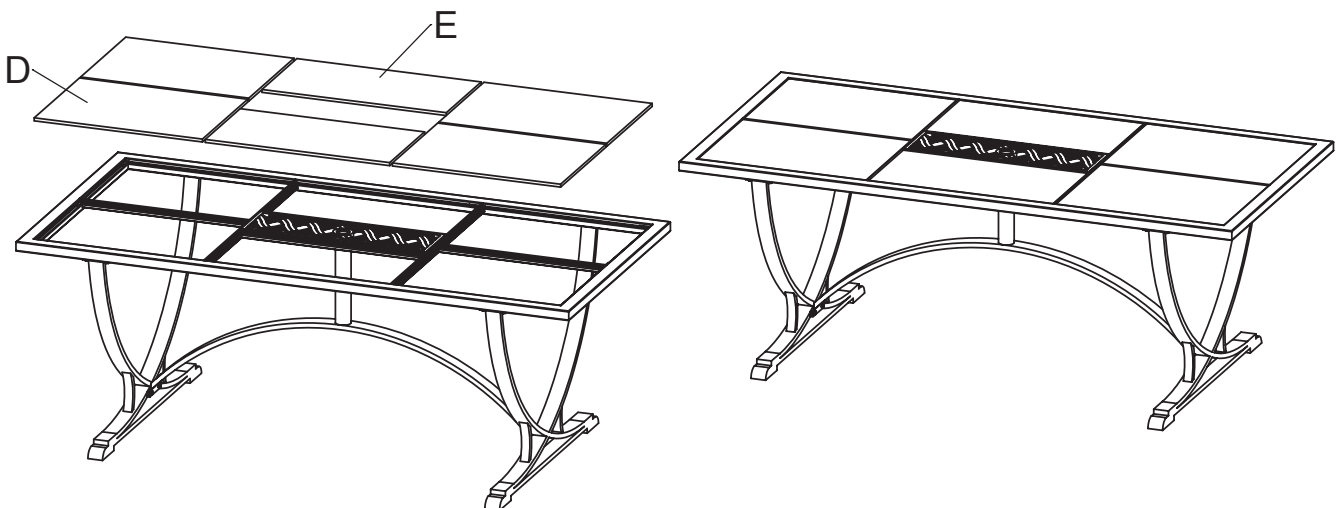


M6 Metal Washer x 4
(Remove from the leg)



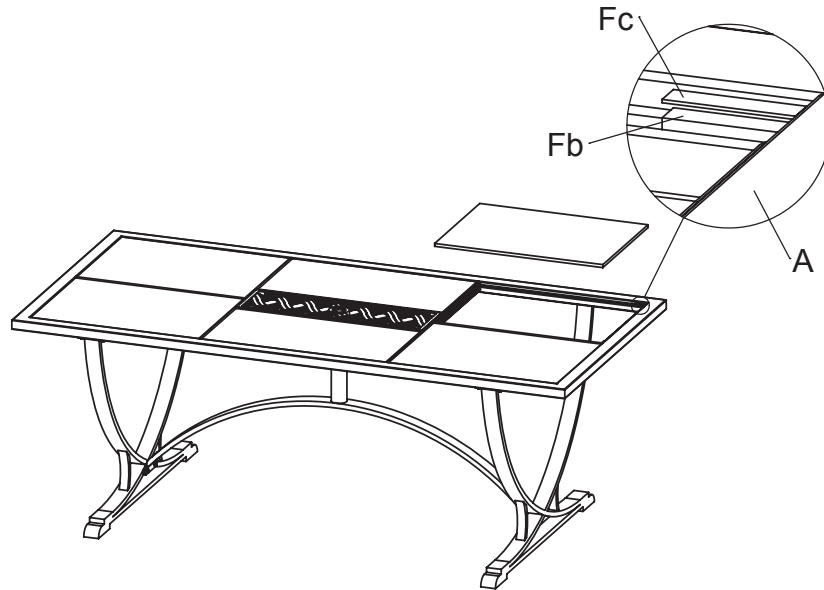
- Don't tighten completely.
- Repeat procedure for the other side.

4 Putting tiles into the table rim



Assembly Instructions

5 Using tile bumper to adjust the tabletop level if needed



- Securely tighten all bolts in a digonal pattern.
- Your table is now ready for use.

sears

Please refer to part numbers when reordering

For questions or comments about product:

Call toll-free: 1-800-457-4652

between 9:00 am to 5:00 pm Eastern standard time Monday through Friday
or contact us at www.numarkcustomerservice.com

Made in / Hecho en CHINA

Distributed by Sears, Roebuck and Co., Hoffman Estates, IL 60179

See our extensive assortment of outdoor living products
on-line at www.sears.com and www.kmart.com

