

---

# USE & CARE GUIDE

## HARRISON 4PC STEEL SLING DEEP SEATING

Product Code: 08805444-0

UPC Code: 8-48681-03661-7

Date of Purchase: \_\_\_\_/\_\_\_\_/\_\_\_\_

# Thank you for your purchase

---

## Thank you for your purchase!

We are pleased that you have chosen Sears for your outdoor furniture purchase. We hope that you enjoy the unmatched quality, comfort, and style of your new patio set. Every piece is meticulously considered all the way down to the smallest details, exclusively for you, by our world class design team. We know you have a choice when it comes to your patio furniture needs, so from our team to yours, thank you for letting us be a part of your outdoors.

## Table of Contents

---

<b>Table of Contents</b> .....	<b>2</b>
<b>Safety information</b> .....	<b>3</b>
Furniture Set Up .....	<b>3</b>
Examine Your Furniture .....	<b>3</b>
<b>Warranty</b> .....	<b>3</b>
What is Covered .....	<b>3</b>
What is Not Covered .....	<b>3</b>
<b>Care and Maintenance</b> .....	<b>4</b>
<b>Pre- Assembly</b> .....	<b>5</b>
Planning Assembly .....	<b>5</b>
Weight Limit .....	<b>5</b>
Hardware Included .....	<b>5</b>
Package Contents .....	<b>6</b>
<b>Assembly Instruction</b> .....	<b>7</b>
Chair .....	<b>7</b>
Loveseat .....	<b>10</b>
Coffee Table .....	<b>14</b>
<b>Customer Service</b> .....	<b>17</b>

---

# Safety Information

---

## Furniture Set Up

- Ensure that all parts are assembled properly and fully tightened as per the instructions.
- When placing in the desired location, ensure that all legs are resting on the same surface. You may adjust the legs levelers as required to ensure that the item stands in a rigid position.

## Examine Your Furniture

- Examine occasionally to ensure that there are no loose parts. If loose parts are found, they must be retightened fully before additional use.

# Warranty

---

## 1 YEAR WARRANTY FOR FRAME AND SLING

### WHAT IS COVERED

We warrant to the original purchaser for one year, from the date of purchase, that the frame and sling will be free from manufacturing defects. This warrant also covers peeling, crackling, blistering, discoloration, or fading for this one year period.

### WHAT IS NOT COVERED

It remains the customer's responsibility for freight and packaging charges to and from our service center. This warranty does not cover commercial use, acts of nature, fire, freezing, and abusive use. Discoloration or fading of the finish or fabrics as a result of chemicals or spills is not covered. Glass tabletop breakage and corrosion or rusting of hardware are not covered. In addition, purchased parts are not covered under this warranty. Proof of purchase (dated register receipt) is required for warranty claims. We reserve the right to make substitutions with similar merchandise, if the model is no longer in production. Warranty is to the original purchaser and is not transferable. As some states do not allow exclusions or limitations on an implied warranty, the above exclusions and limitations may not apply. This warranty gives you specific rights, and you may also have other rights, which vary from state to state.

### WARRANTY

This limited warranty is extended to the original purchaser and applies to defects in material and workmanship of your Patio furniture, provided your furniture is maintained with care and used only for personal, residential purposes.

---

## Warranty

---

Frames are warranted to be free from defects in material or workmanship for a period of one (1) year.

**Exclusions:** items used for commercial, contract, or other non-residential purposes, or items damaged due to acts of Nature, vandalism, misuse, or improper assembly is not covered. Discoloration and fading of the finish or fabrics as a result of chemicals or spills are not covered. Glass table top breakage and corrosion or rusting of hardware is not covered. If within the stated warranty period, this product is found to be defective in material or workmanship, the Purchaser must contact the customer service department at 1-866-905-4107. The manufacturer, at its option, will repair or replace the defective part(s). Proof of purchase (date register receipt) is required for warranty claims. It remains The customer's responsibility to pay for freight and packing charges to and from the service center. Warranty is to The Original Purchaser and is non-transferable. Any replacement of warranted items will be in the original style and color, or a similar style and color if the original is unavailable or has been discontinued. As some states do not allow exclusions or limitations on an implied warranty, the above exclusions and limitations may not apply. This warranty gives you specific rights, and you may also have other rights, which vary from state to state.

**Care Instructions:** Protecting your furniture from the elements when not in use is highly recommended. Wipe frame with a lightly damp cloth and dry completely. Customer service 1-866-905-4107

## Care and Maintenance

---

- Wipe the frame lightly with a mild solution of soap and water, rinse with clean water, and dry thoroughly.
- Use and operation: To improve the lifespan of this furniture, cover when not in use and store in a cool dry place during the off season.

# Pre-Assembly

## PLANNING ASSEMBLY

To prevent damage, place all parts on a soft surface during assembly. Remove all protective caps before beginning assembly. It takes about 90 minutes for two person to complete all the assembly.

## WEIGHT LIMIT

The recommended weight limit for the following product• are listed below:

- Chair: 200 lbs
- Loveseat: 200 lbs
- CoffeeTable: 50 lbs



**CAUTION:** Furniture overload may result in injuries.

## HARDWARE INCLUDED

### CLUB CHAIR AND LOVESEAT:



Part	Description	Size	QTY.
AA	SCREW	(M6x18mm)	37
BB	WASHER	M6	37
CC	ALLEN WRENCH		1

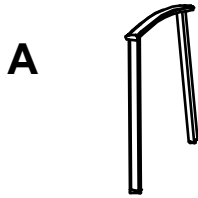
### COFFEE TABLE:



Part	Description	Size	QTY.
AA	SCREW	(M6x25mm)	8
BB	WASHER	M6	8
CC	ALLEN WRENCH		1

# Pre-Assembly (continued)

## Package Contents



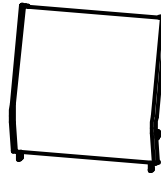
C



B



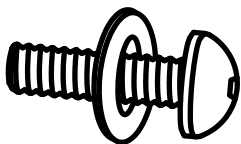
D



PART	DESCRIPTION	QUANTITY
A	LEFT ARM	1
B	RIGHT ARM	1
C	CHAIR SEAT	1
D	CHAIR BACK	1



## Safety Information



**1. EVERY SCREW NEEDS TO BE USED WITH A WASHER.**

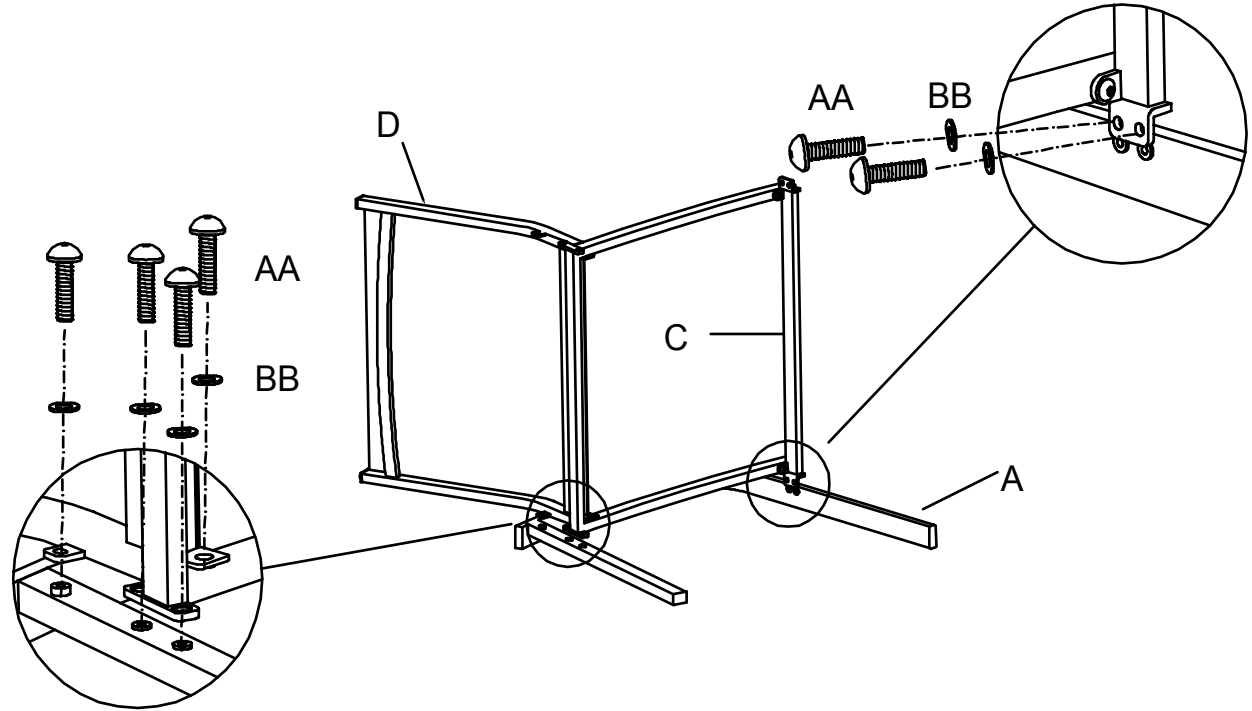
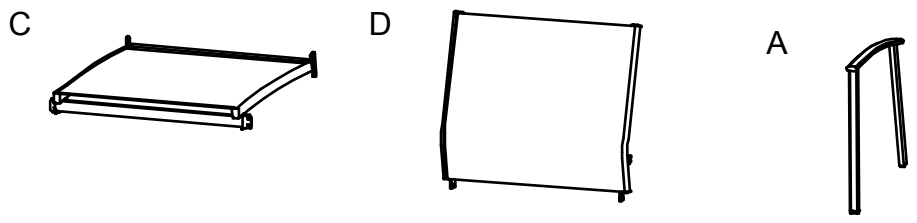
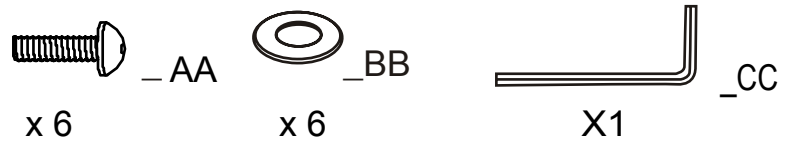
**2. DO NOT FULLY TIGHTEN SCREWS UNTIL INDICATED IN STEP 3.**



# Assembly Instruction

## 1 Attaching the chair back to the chair seat and the left arm

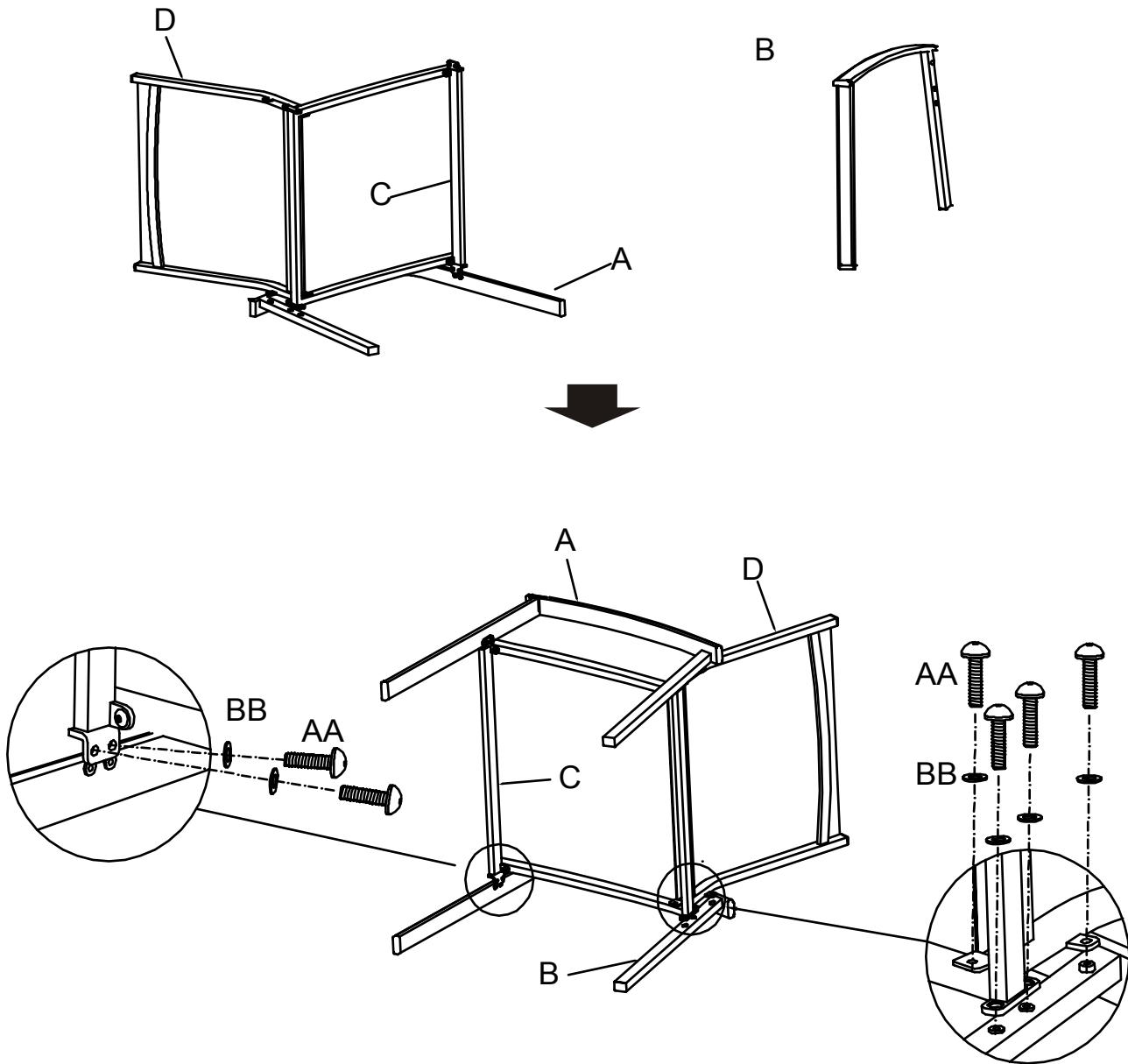
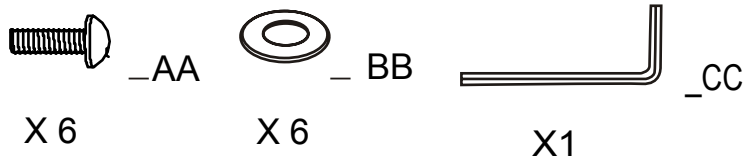
- ATTACH CHAIR BACK "D" TO THE CHAIR SEAT "C" AND LEFT ARM "A". FASTEN WITH SCREW "AA" AND WASHER "BB". TIGHTEN HALF WAY USING THE ALLEN WRENCH "CC".



# Assembly Instruction (continued)

## 2 Attaching the right arm

- ATTACH THE RIGHT ARM "B" TO THE CHAIR SEAT AND THE CHAIR BACK "D". FASTEN WITH SCREW "AA" AND WASHER "BB". TIGHTEN HALF WAY USING THE ALLEN WRENCH "CC".



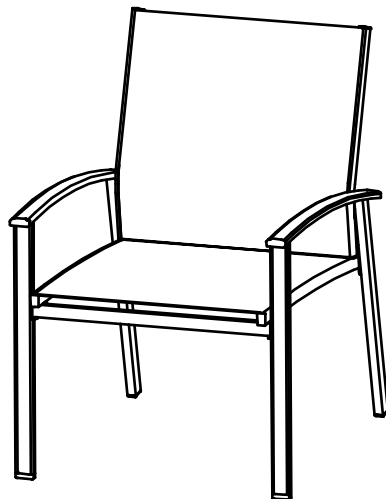
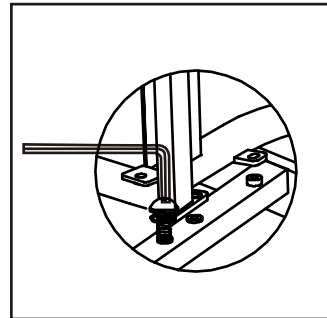
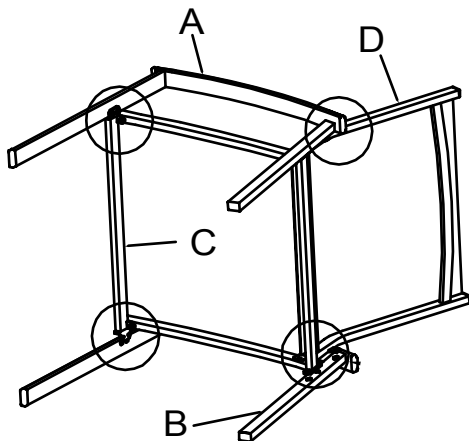
# Assembly Instruction (continued)

## 3 Tightening all screws

- CHECK AND ADJUST AS NEEDED. USING THE ALLEN WRENCH “CC” FULLY TIGHTEN ALL THE SCREWS.

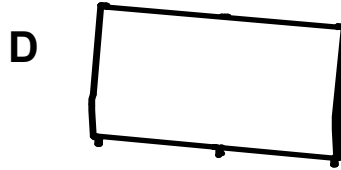
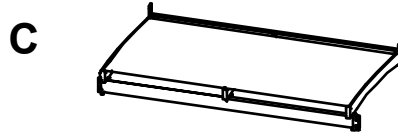
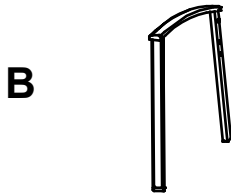
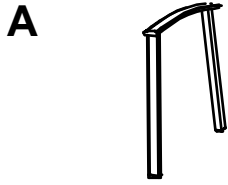


X1



# Pre-Assembly

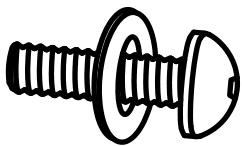
## Package Contents



PART	DESCRIPTION	QUANTITY
A	LEFT ARM	1
B	RIGHT ARM	1
C	LOVESEAT SEAT	1
D	LOVESEAT BACK	1



## Safety Information

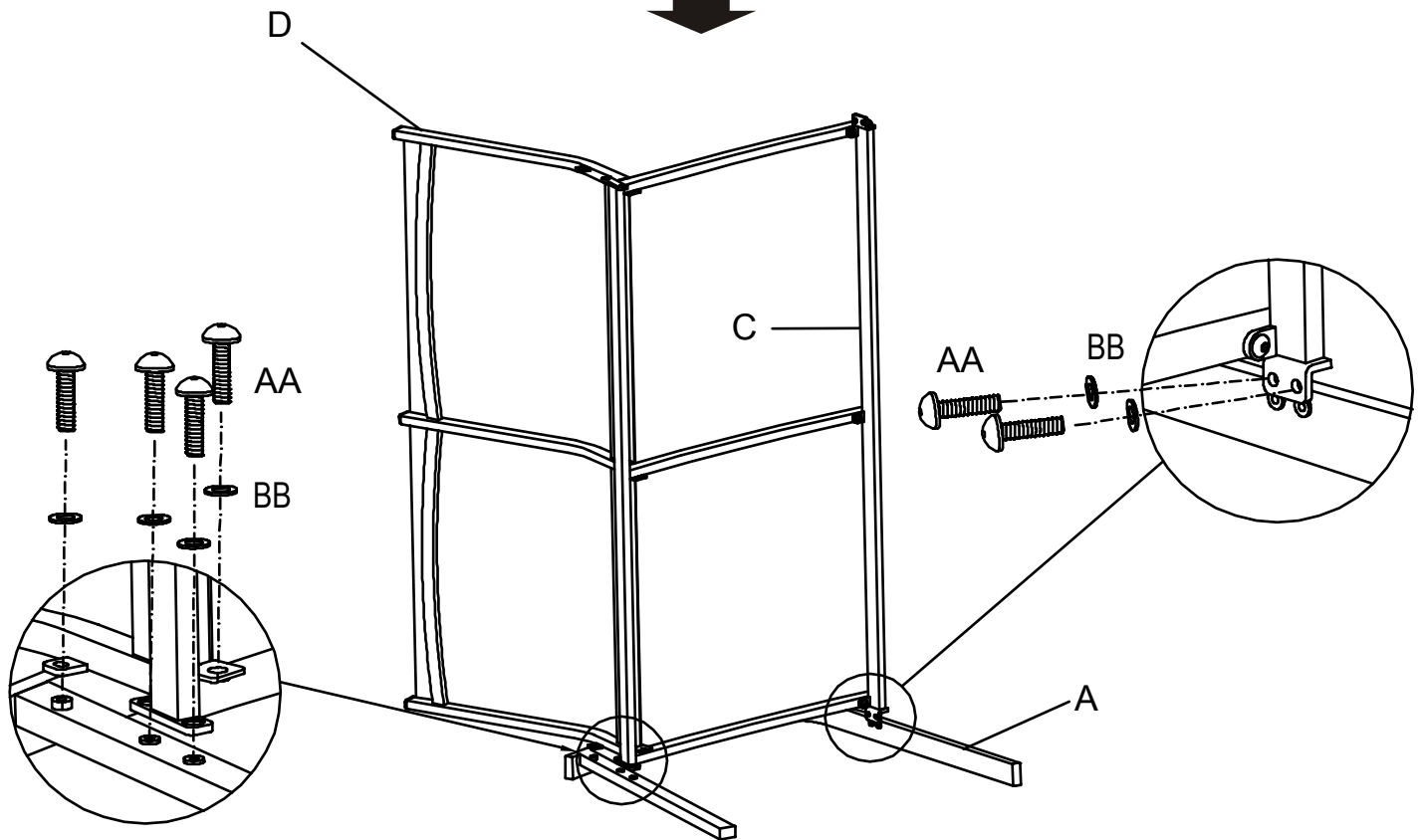
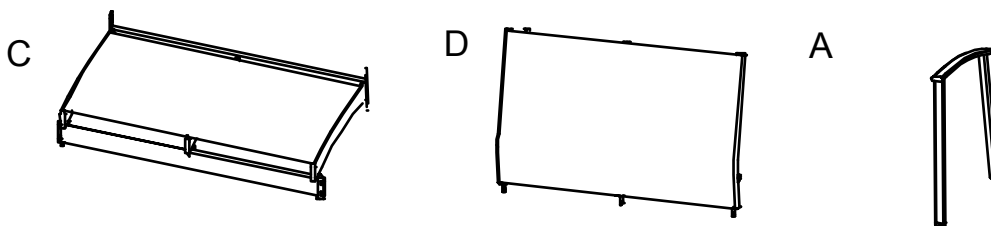
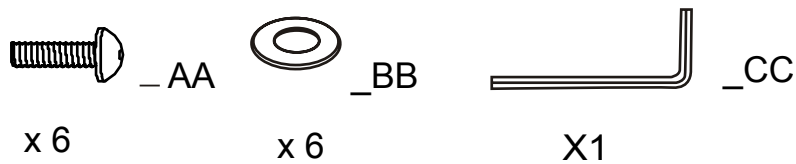


-  1. EVERY SCREW NEEDS TO BE USED WITH A WASHER.
- 2. DO NOT FULLY TIGHTEN SCREWS UNTIL INDICATED IN STEP 3.

# Assembly Instruction

## 1 Attaching the back to the seat and the left arm

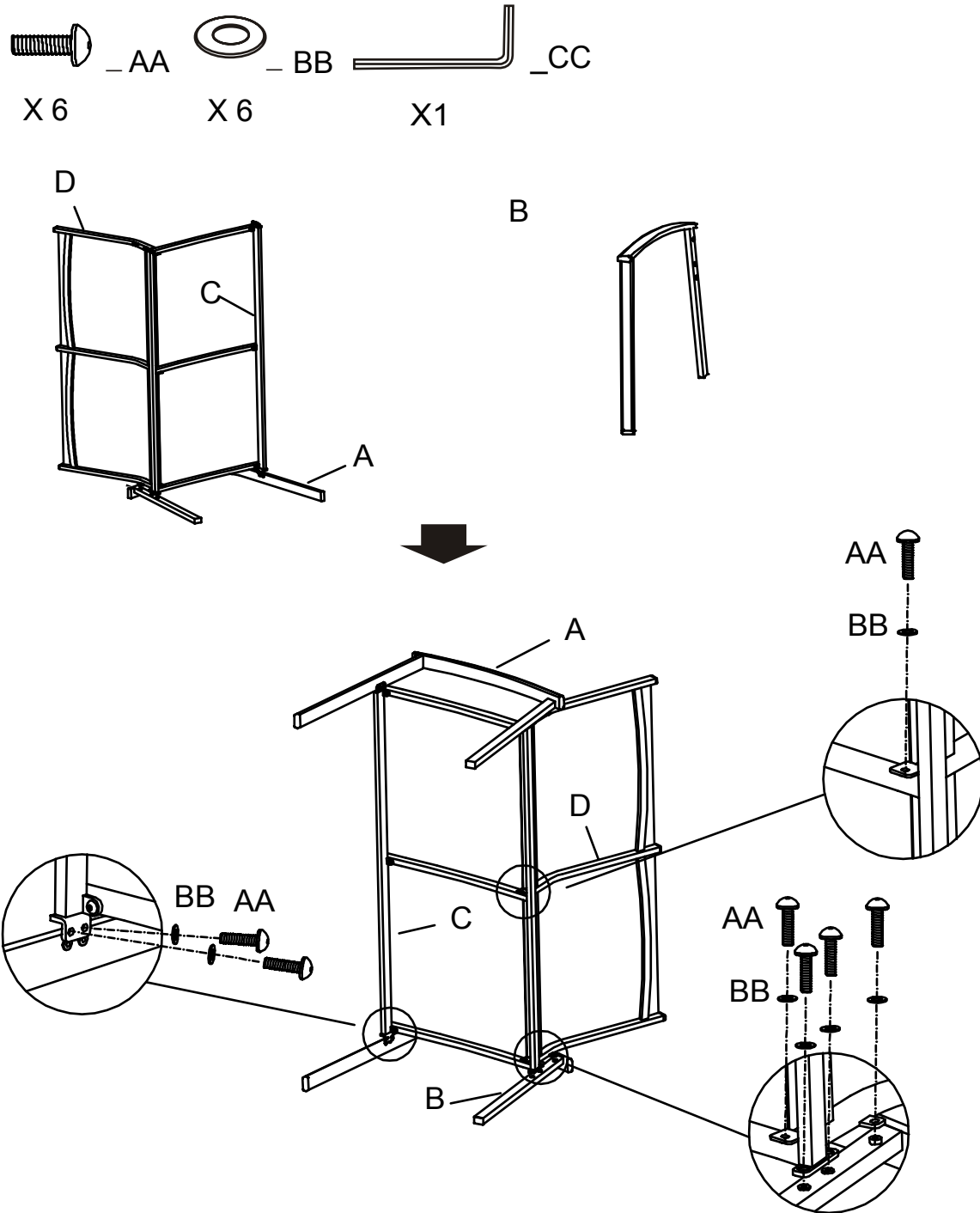
- ATTACH BACK "C" TO THE SEAT "D" AND LEFT ARM "A". FASTEN WITH SCREW "AA" AND WASHER "BB". TIGHTEN HALF WAY USING THE ALLEN WRENCH "CC".



# Assembly Instruction (continued)

## 2 Attaching the right arm

- ATTACH THE RIGHT ARM "B" TO THE CHAIR SEAT "C" AND THE CHAIR BACK "D". FASTEN WITH SCREW "AA" AND WASHER "BB". TIGHTEN HALF WAY USING THE ALLEN WRENCH "CC".



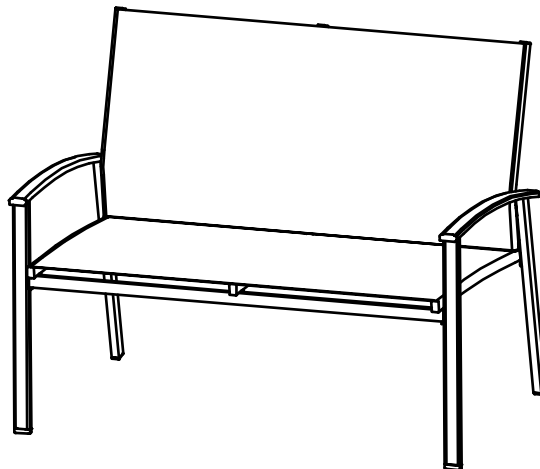
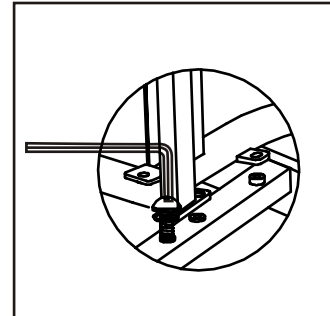
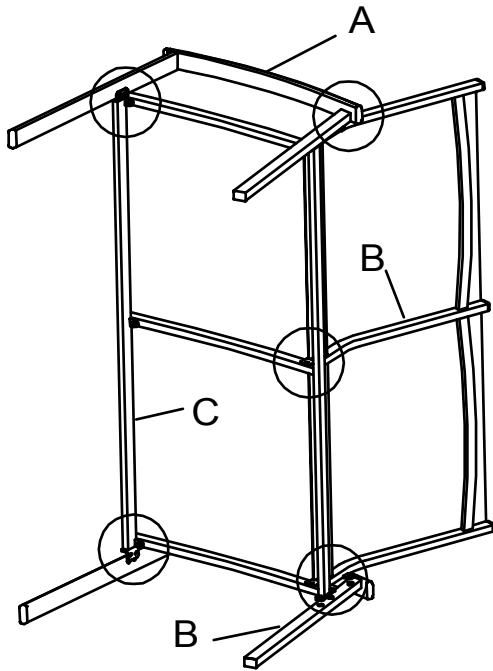
# Assembly Instruction (continued)

## 3 Tightening all screws

- CHECK AND MAKE ADJUSTMENTS AS NEEDED. USING THE ALLEN WRENCH "CC" FULLY TIGHTEN ALL THE SCREWS.

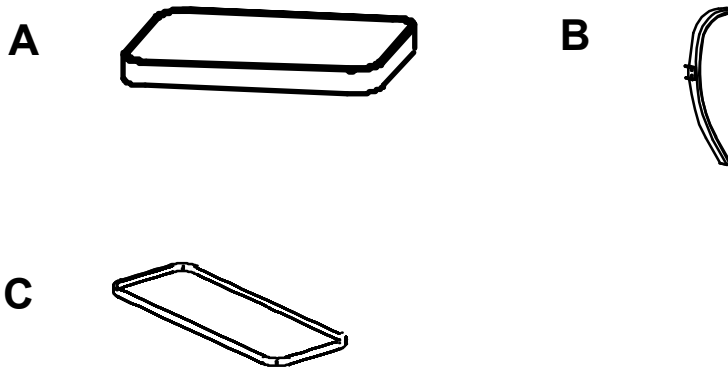


X1



# Pre-Assemmbly

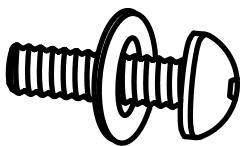
## Package Contents



PART	DESCRIPTION	QUANTITY
A	TABLE TOP	1
B	TABLE LEG	4
C	CONNECTOR BRACKET	1



### Safety Information

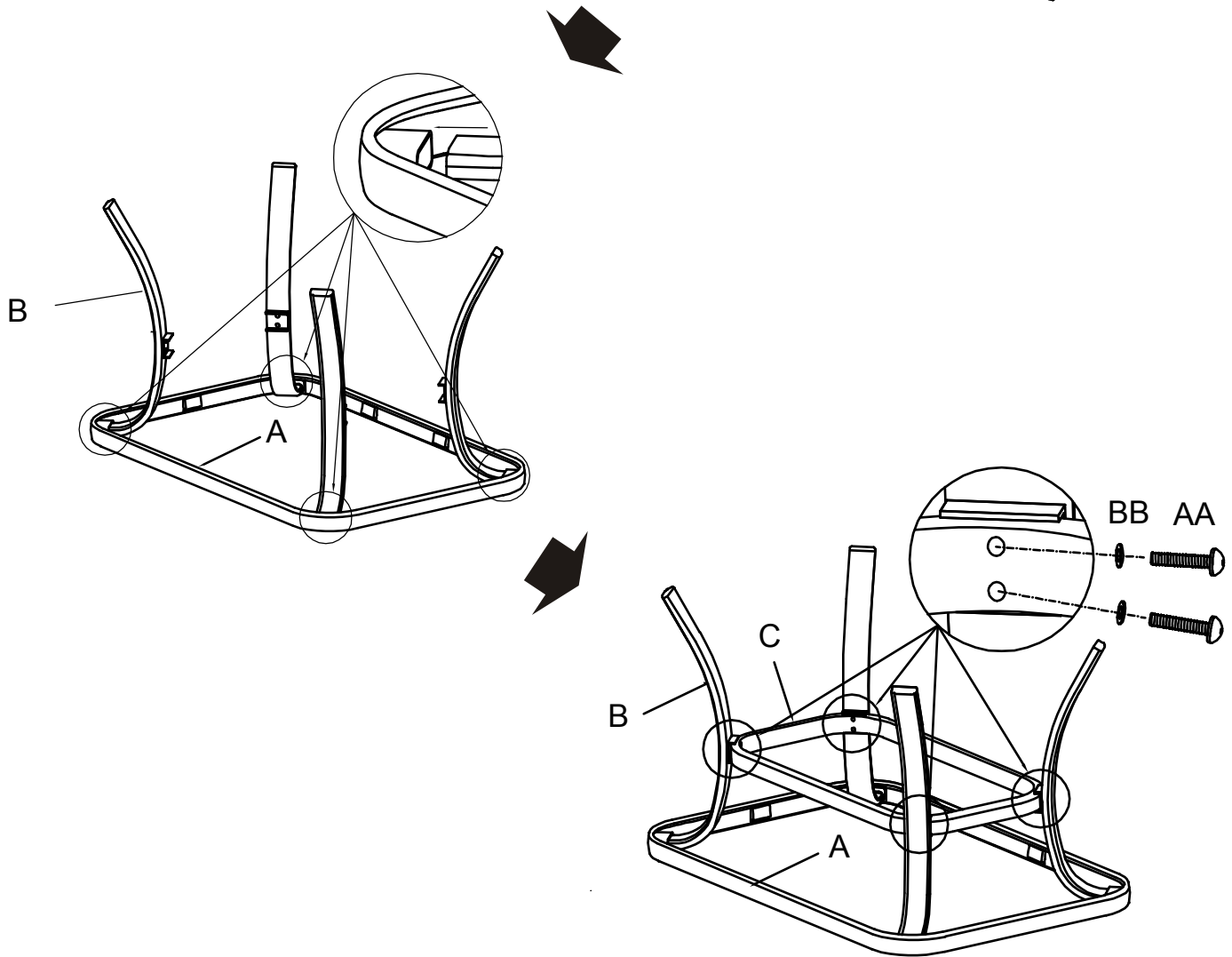
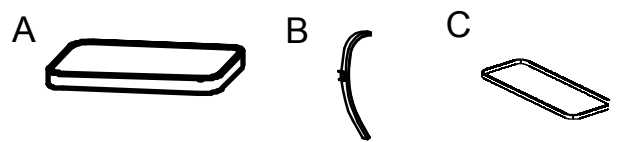
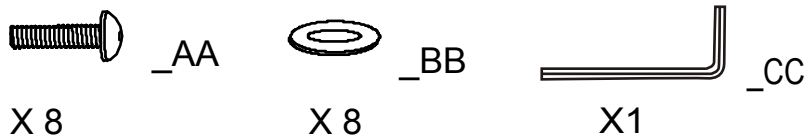


- 1. EVERY SCREW NEEDS TO BE USED WITH A WASHER.**
- 2. DO NOT FULLY TIGHTEN SCREWS UNTIL INDICATED IN STEP 2.**

# Assembly Instruction (continued)

## 1 Attaching the leg to the table top

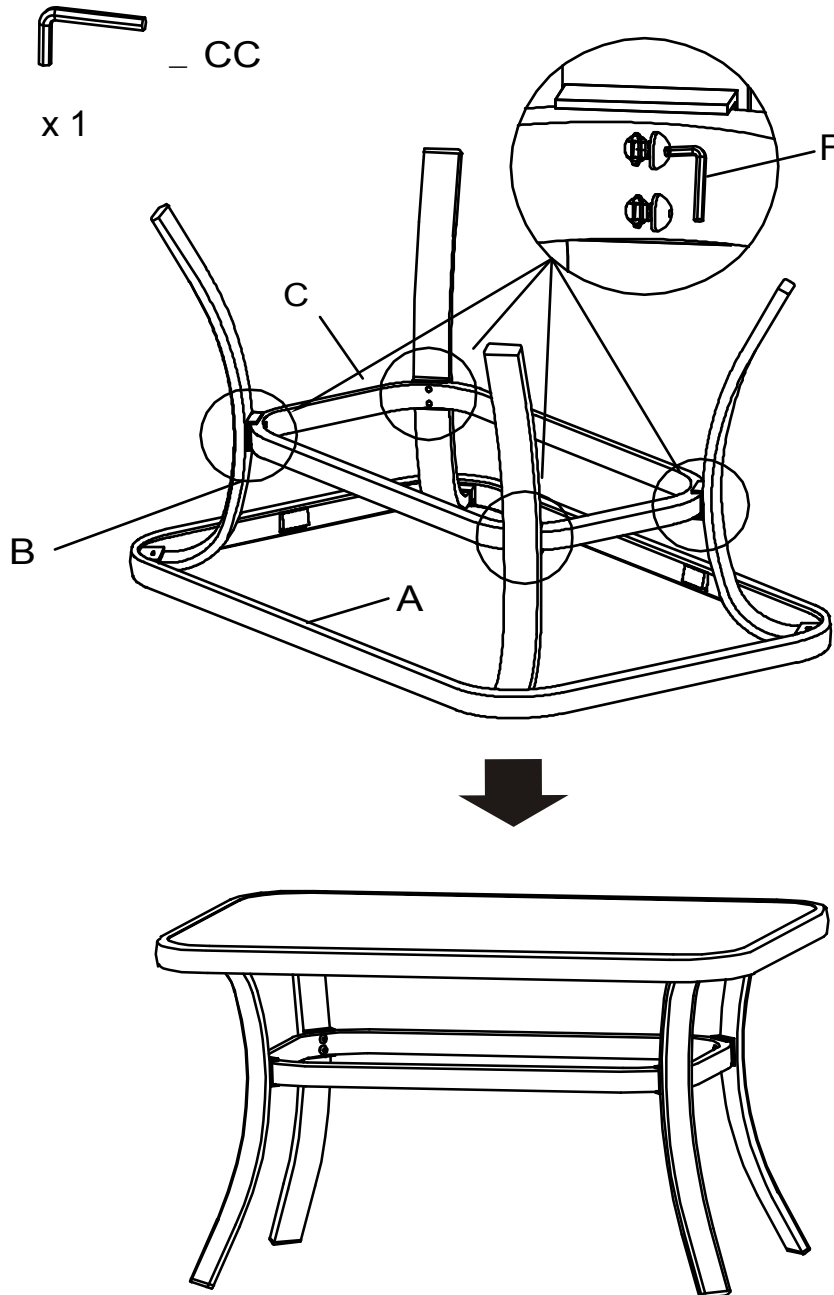
- PUT TABLE TOP "A" ON THE FLOOR AS SHOWN. INSERT LEG "B" TO PLASTIC PARTS ON THE TABLE TOP "A".
- PUT CONNECTOR BRACKET "C" ON THE TABLE LEG "B". FASTEN WITH SCREW "AA" AND WASHER "BB". TIGHTEN HALF WAY USING THE ALLEN WRENCH "CC".



# Assembly Instruction (continued)

## 2 Tightening all screws

- CHECK AND MAKE ADJUSTMENTS AS NEEDED. USING THE ALLEN WRENCH "CC" FULLY TIGHTEN ALL THE SCREWS.
- PLACE TABLE IN AN UP RIGHT POSITION BEFORE USE.





HOME OFFICE: 1100 Coiner Ct., City of Industry, CA 91748

FAX: 1-626-269-6399

CUSTOMER SERVICE HOT LINE: 1-866-905-4107

SEVICE HOURS: MONDAY-FRIDAY 8:30 AM TO 5:00 PM PST

/ 11:30 AM TO 8:00PM EST

E-MAIL: [customerservice@yotrious.com](mailto:customerservice@yotrious.com)

---

sears

Please refer to part numbers when reordering

For questions or comments about product:

Email: [customerservice@yotrious.com](mailto:customerservice@yotrious.com) or Call toll-free: 1-866-905-4107

Made in CHINA / Hecho en CHINA

Distributed by Sears, Roebuck and Co., Hoffman Estates, IL 60179

See our extensive assortment of outdoor living products  
on-line at [www.sears.com](http://www.sears.com) and [www.kmart.com](http://www.kmart.com)