

# USE & CARE GUIDE

## 10' ROUND OFFSET WITH X BASE

Product Code: 08807249-1

UPC Code: 8-48681-03663-1

Date of Purchase: \_\_\_\_ / \_\_\_\_ / \_\_\_\_

# Thank you for your purchase

---

## Thank you for your purchase!

We are pleased that you have chosen Sears for your outdoor furniture purchase. We hope that you enjoy the unmatched quality, comfort, and style of your new patio set. Every piece is meticulously considered all the way down to the smallest details, exclusively for you, by our world class design team. We know you have a choice when it comes to your patio furniture needs, so from our team to yours, thank you for letting us be a part of your outdoors.

## Table of Contents

---

<b>Table of Contents</b> .....	<b>2</b>
<b>Safety information</b> .....	<b>3</b>
Umbrella Set Up .....	<b>3</b>
Examine Your Umbrella .....	<b>3</b>
<b>Warranty</b> .....	<b>3</b>
What is Covered .....	<b>3</b>
What is Not Covered .....	<b>3</b>
<b>Care and Maintenance</b> .....	<b>3</b>
<b>Pre- Assembly</b> .....	<b>4</b>
Planning Assembly .....	<b>4</b>
Hardware Included .....	<b>4</b>
Package Contents .....	<b>5</b>
<b>Assembly Instruction</b> .....	<b>6</b>
<b>Customer Service</b> .....	<b>16</b>

# Safety Information

---

## Umbrella Set Up

- Ensure that all parts are assembled properly and fully tightened as per the instructions.
- When placing in the desired location, ensure that the umbrella stands on flat ground.

## Examine Your Umbrella

- Examine occasionally to ensure that there are no loose parts. If loose parts are found, they must be retightened fully before additional use.

# Warranty

---

## 1 YEAR WARRANTY FOR FRAME AND FABRIC

### WHAT IS COVERED

We warrant the frame and fabric to be free of manufacturing defects to the original purchaser for 1 year.

### WHAT IS NOT COVERED

It remains the customer's responsibility for freight and packaging charges to and from our service center. This warranty does not cover commercial use, hardware, acts of nature, fire, freezing, and abusive use. In addition, purchase part(s) are not covered under this warranty. We reserve the rights to make substitutions with similar merchandise, if the model is no longer in production.

Customer service: 1-866-905-4107

# Care and Maintenance

---

- Wipe the frame lightly with a mild solution of soap and water, rinse with clean water, and dry thoroughly.
- Use and operation: To improve the lifespan of this umbrella, cover when not in use and store in a cool dry place during the off season.

# Pre-Assembly

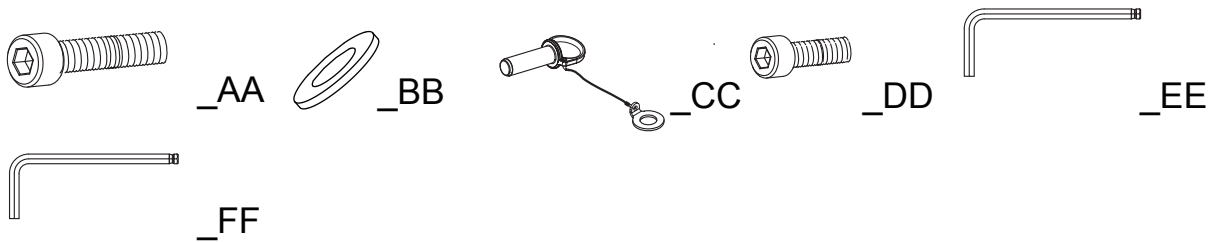
## PLANNING ASSEMBLY

To prevent damage, place all parts on a soft surface during assembly. Remove all protective caps before beginning assembly. It takes about 30 minutes for two person to complete all the assembly.



**CAUTION:** It is normal for the offset umbrella to sway from side to side, back and forth. Always close the umbrella when not in use and during windy conditions. Store your umbrella in a cool dry place to protect the umbrella and from potential injuries due to umbrella toppling or swaying.

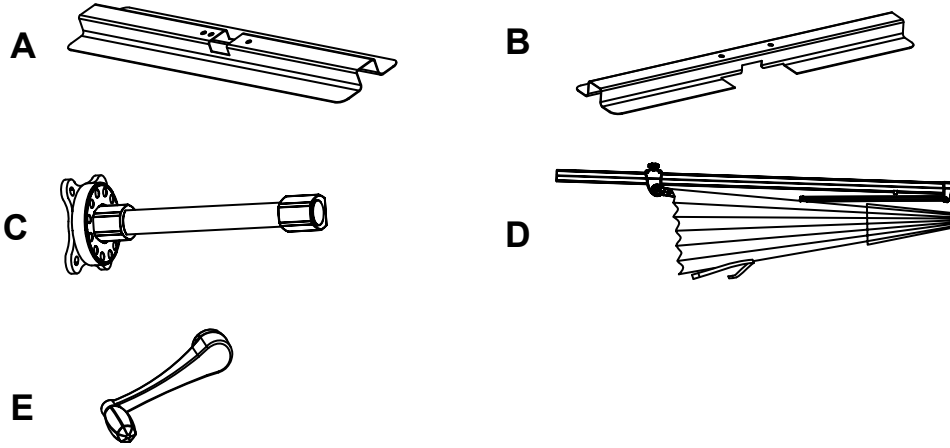
## HARDWARE INCLUDED



Part	Description	Size	QTY.
AA	BOLT-1	(M10)	4
BB	WASHER	( $\varnothing$ 10)	3
CC	PIN		1
DD	BOLT-2	(M6)	1
EE	WRENCH-1	S8	1
FF	WRENCH-2	S5	1

# Pre-Assembly (continued)

## Package Contents



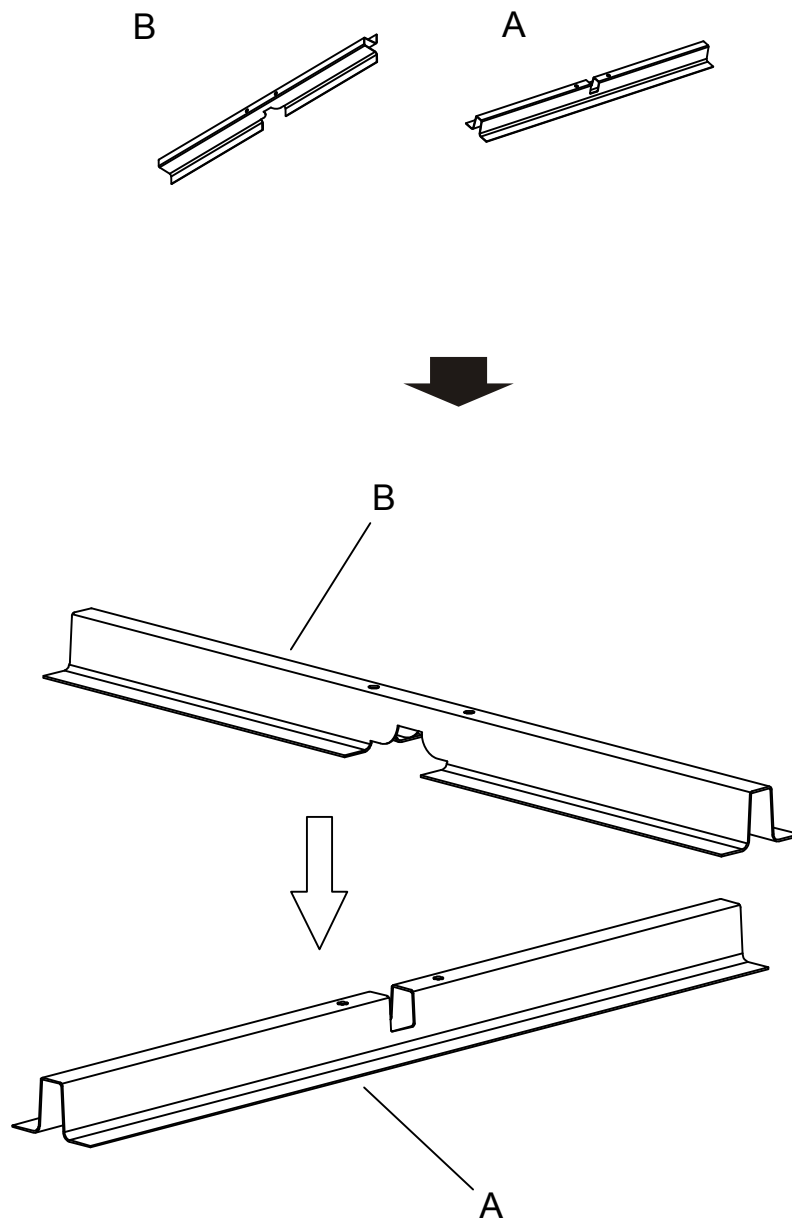
PART	DESCRIPTION	QUANTITY
A	Lower Bracket	1
B	Upper Bracket	1
C	Base Tube	1
D	Sunshade	1
E	Crank	1

# Assembly Instruction

---

## 1 Placing the upper bracket onto the lower bracket

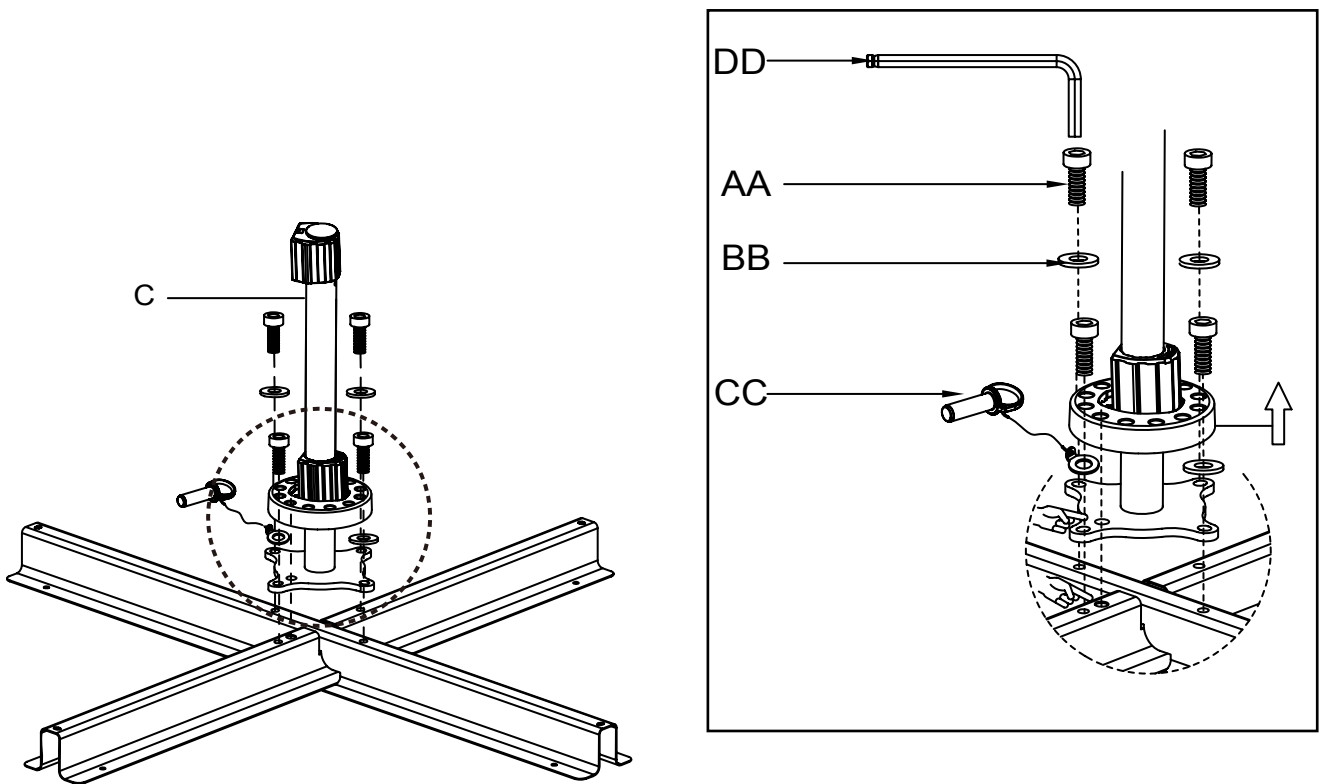
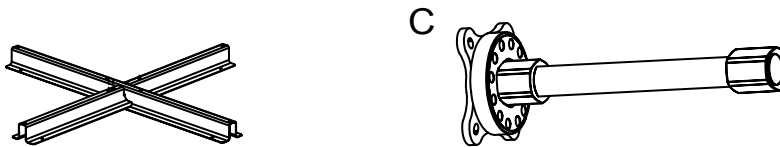
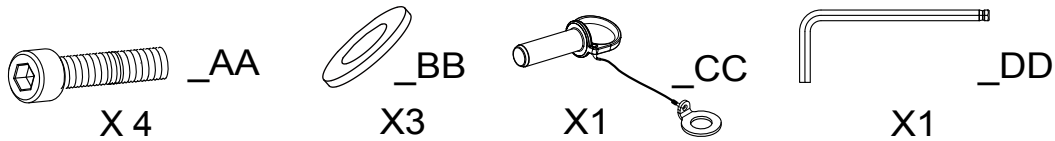
- PLACE THE UPPER BRACKET "B" ONTO THE LOWER BRACKET "A" AS SHOWN.



# Assembly Instruction (continued)

## 2 Attaching the base tube on the brackets

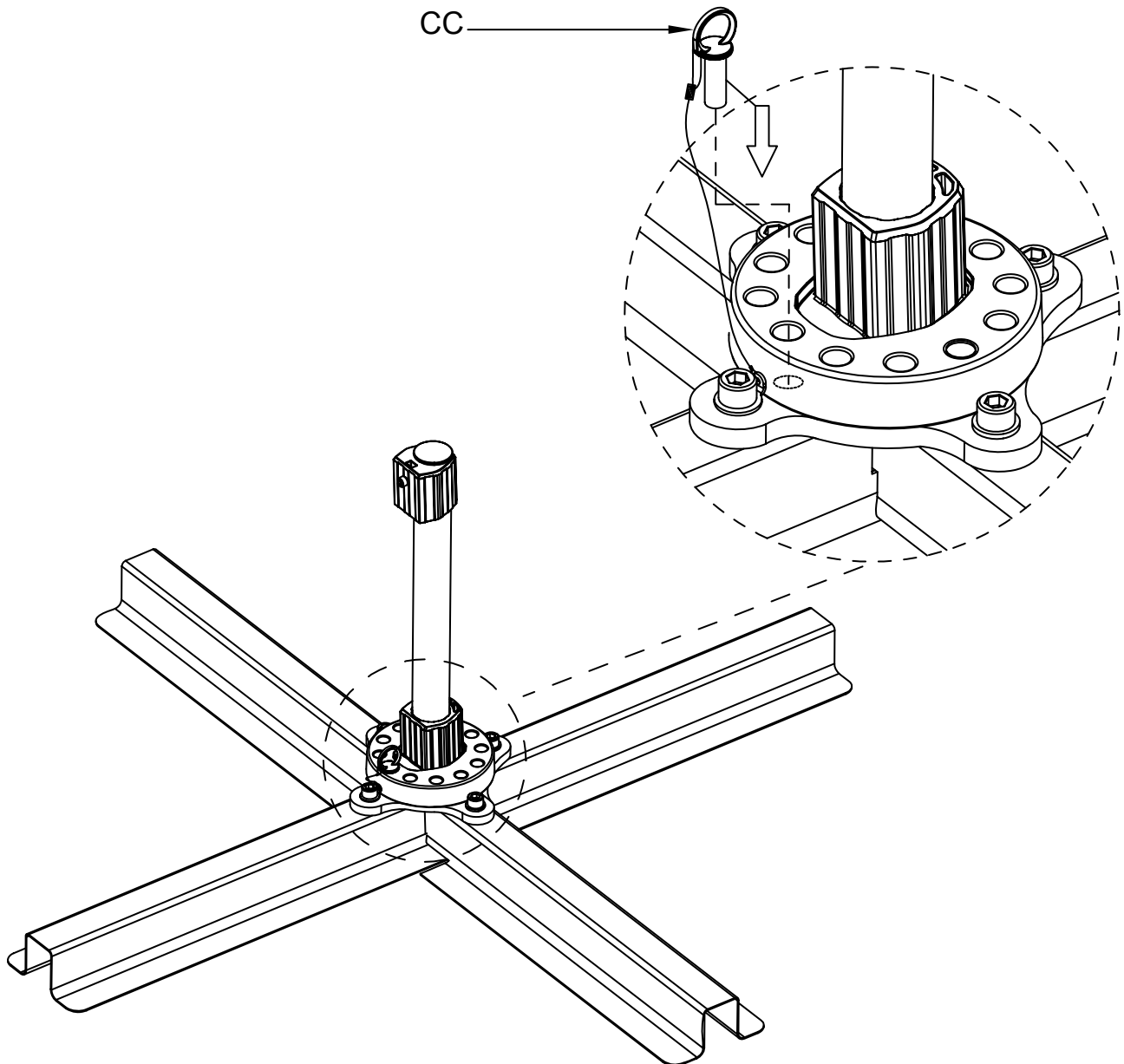
- LINE UP THE BOLT HOLES ON THE BASE TUBE "C" WITH CORRESPONDING BOLT HOLES ON THE TWO ASSEMBLED BRACKETS.
- FASTEN THE BOLT "AA", THE PIN "CC" AND WASHER "BB" BY USING WRENCH "DD" TO ENSURE THAT THE BOLTS ARE TIGHTENED. NOTE: THE PIN SHOULD BE ASSEMBLED THIS POSITION WHERE THERE ARE TWO HOLES AS SHOWN BELOW.



## Assembly Instruction (continued)

### 3 Inserting the pin into the X base

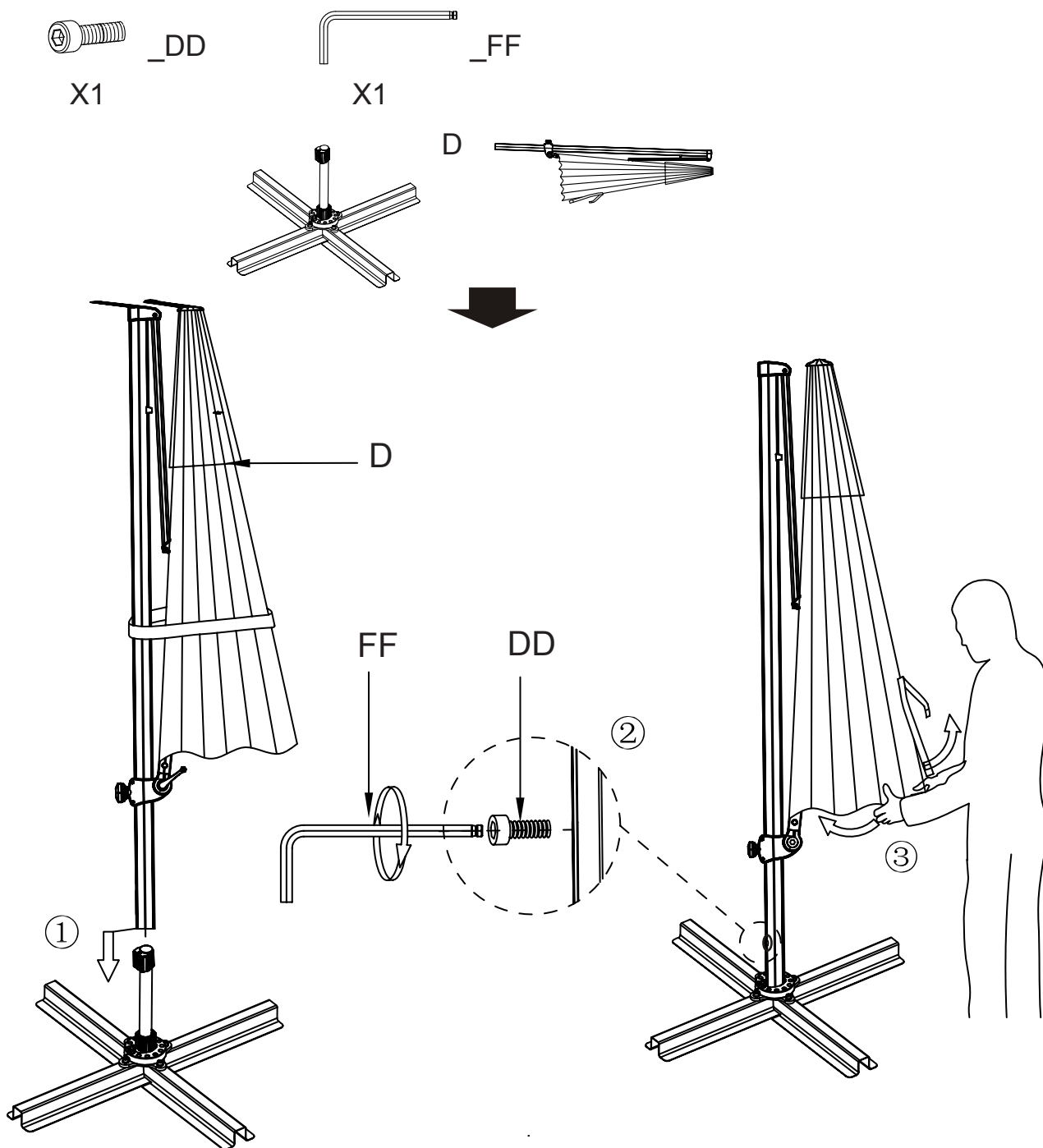
- INSERT THE PIN "CC" INTO THE HOLE UNDER THE PLASTIC PART WITH MANY HOLES AS SHOWN IN THE PICTURE.



# Assembly Instruction (continued)

## 4 Inserting the Sunshade into the base tube, and shake fabric before opening

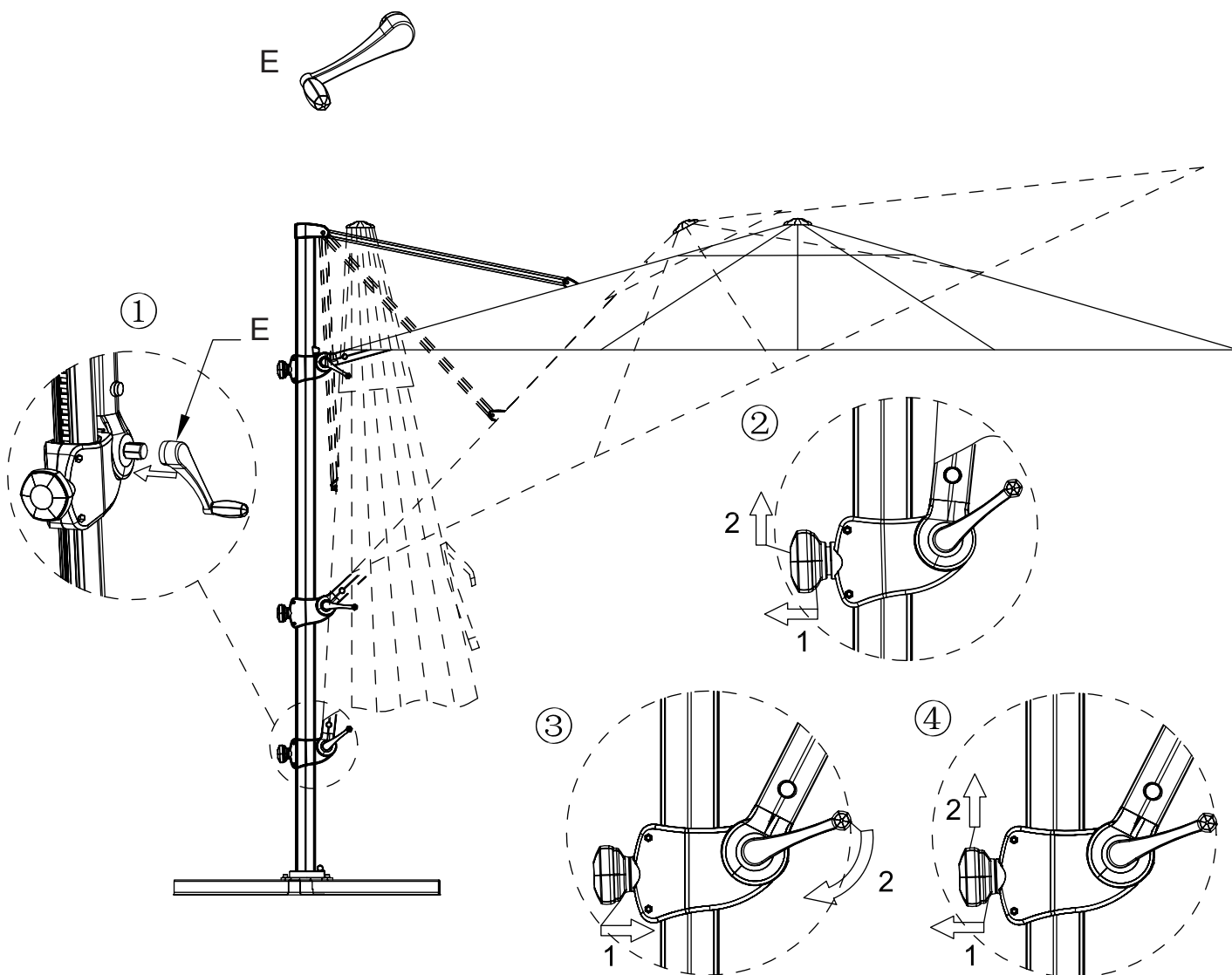
- INSERT THE STEM OF THE SUNSHADE “D” INTO THE BASE TUBE “C”. FASTEN WITH BOLT “DD” AND WRENCH-2 “FF” AND TIGHTEN IT.
- SHAKE THE FABRIC OF THE OFFSET BEFORE OPENING.



# Assembly Instruction (continued)

## 5 Inserting crank into offset crank handle, and push offset upward

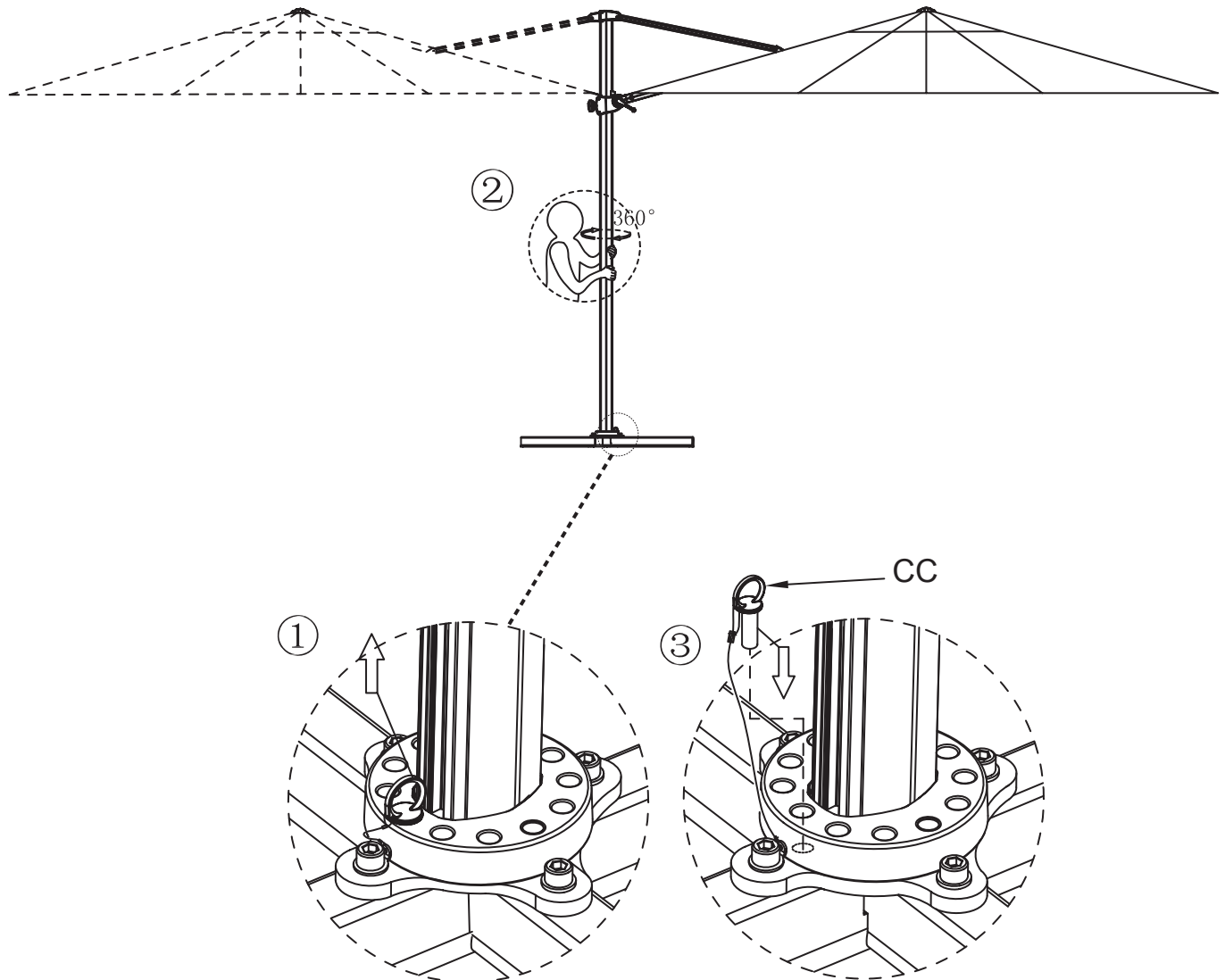
- INSERT THE CRANK "E" INTO THE OFFSET CRANK HANDLE AS THE PICTURE SHOWS. TURN THE CRANK CLOCKWISE TO FULLY UNFOLD THE OFFSET.
- THE OFFSET CANOPY CAN BE ADJUSTED TO DIFFERENT POSITION BY PULLING OUTWARD THE KNOB ON THE HANDLE, THEN PUSH UPWARD AS SHOWN IN THE PICTURE.



## Assembly Instruction (continued)

### 6 Using the pin 360 degrees to adjust desired positions

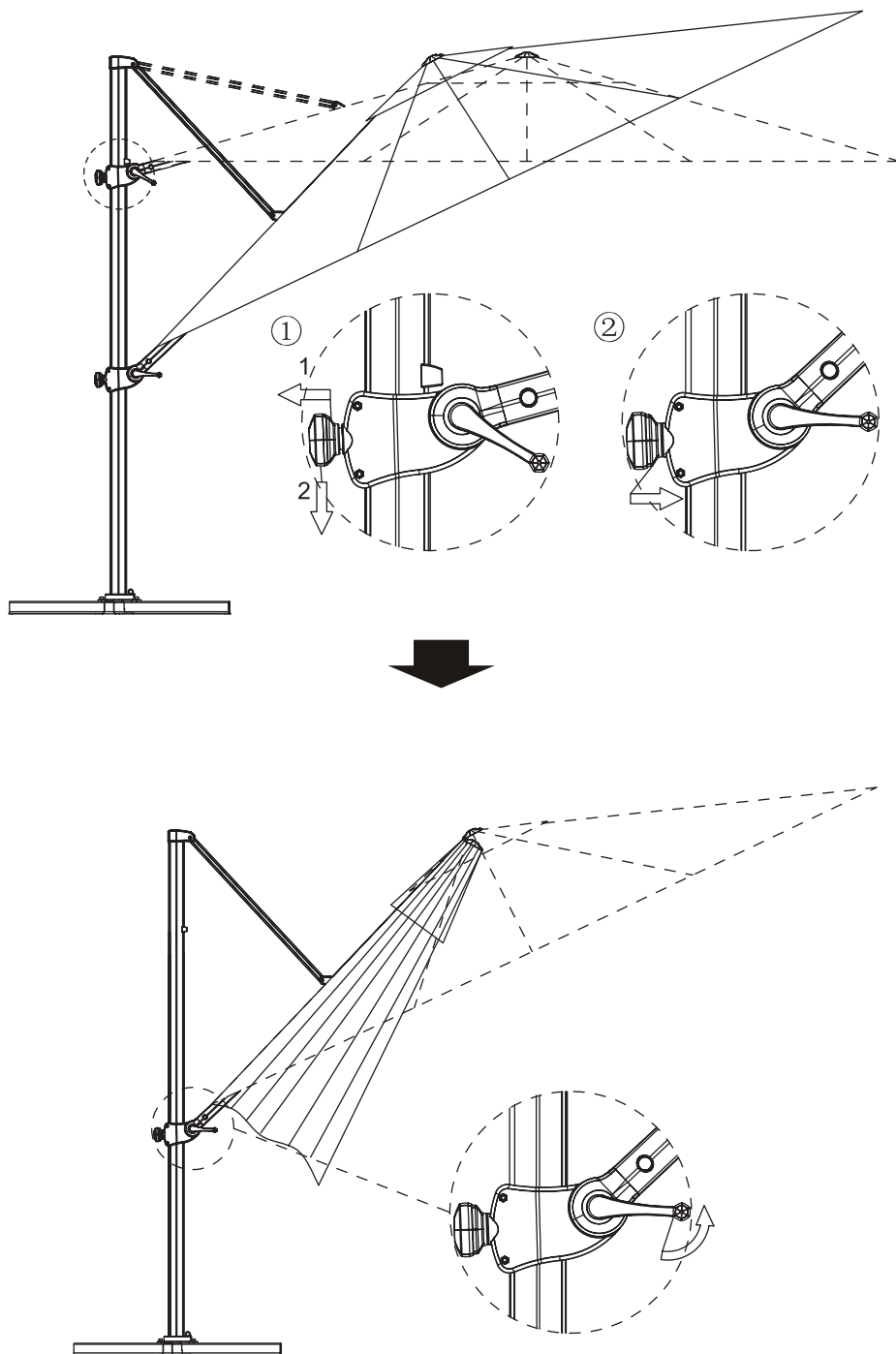
- IF THE PIN HAVE BEEN INSERTED INTO THE X BASE, PLEASE PULL IT OUT.
- TURN THE POLE WITH CANOPY TO FIX THE OFFSET AT A DESIRED POSITION AS SHOWN IN THE PICTURE.



# Assembly Instruction (continued)

## 7 Closing the offset umbrella

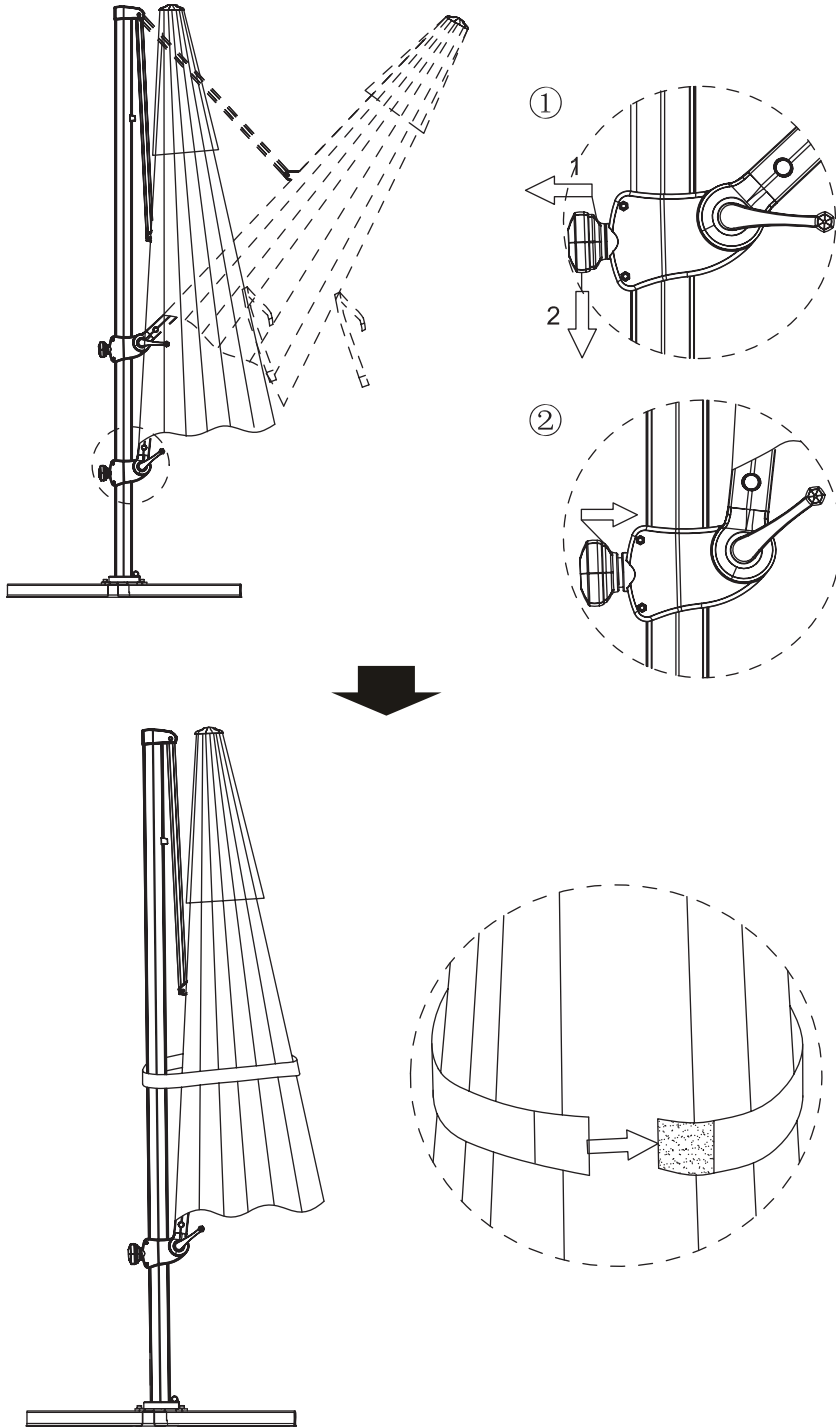
- ❑ HOLD AND PULL THE KNOB OUTWARDS TOWARDS YOU AND AT A DOWNWARD DIRECTION.
- ❑ TURN THE CRANK COUNTERCLOCKWISE TO FOLD CANOPY.
- ❑ SLIDE OFFSET CRANK HANDLE DOWNWARD UNTIL IT IS FULLY FOLDED.



# Assembly Instruction (continued)

## 8 Sliding offset downward and storage

- SLIDE OFFSET CRANK HANDLE DOWNWARD WHEN IT IS FULLY FOLDED.
- AFTER OFFSET IS FOLDED, TIE THE VELCRO STRAPS AROUND THE SUNSHADE READY FOR STORAGE AS SHOWN IN THE PICTURE.





HOME OFFICE: 1100 Coiner Ct., City of Industry, CA 91748

FAX: 1-626-269-6399

CUSTOMER SERVICE HOT LINE: 1-866-905-4107

SEVICE HOURS: MONDAY-FRIDAY 8:30 AM TO 5:00 PM PST

/ 11:30 AM TO 8:00PM EST

E-MAIL: [customerservice@yotrious.com](mailto:customerservice@yotrious.com)

---

sears

Please refer to part numbers when reordering

For questions or comments about product:

Email: [customerservice@yotrious.com](mailto:customerservice@yotrious.com) or Call toll-free: 1-866-905-4107

Made in CHINA / Hecho en CHINA

Distributed by Sears, Roebuck and Co., Hoffman Estates, IL 60179

See our extensive assortment of outdoor living products  
on-line at [www.sears.com](http://www.sears.com) and [www.kmart.com](http://www.kmart.com)