

# PRO-SERIES ABOVE GROUND ROUND FRAME SWIMMING POOL OWNER'S MANUAL

To order parts, accessories, or answers to frequently asked questions about your product please visit [WWW.POLYGROUPSTORE.COM](http://WWW.POLYGROUPSTORE.COM)

Customer Service: (888) 919-0070

To watch how to setup your product please visit:

[WWW.POLYGROUP.COM/VIDEO](http://WWW.POLYGROUP.COM/VIDEO)

**DO NOT RETURN PRODUCT TO STORE**

DISTRIBUTED BY: POLYGROUP LIMITED (MCO)  
Avenida Xian Xing Hai, Centro Golden Dragon, 11 Andar M, Macau



## For Pro-Series Round Frame Pool of all sizes and depths.

Check out our  
**ONLINE SET UP VIDEO!**

[www.polygroup.com/video/frame](http://www.polygroup.com/video/frame)

SAFETY INFORMATION	2
CONSUMER AWARENESS BOOKLETS	3
1. SITE PREPARATION	4
2. POOL INSTALLATION	4
3. DISASSEMBLY AND STORAGE	7
POOL COVER SAFETY	8

**WARNING:** DO NOT overfill the pool and / or allow people to lay over or sit on pool wall- DOING SO CAN CAUSE PERMANENT INJURY!  
DRAIN pool to the proper level after a heavy rain.

**NOTE:** DO NOT attempt to assemble this pool in adverse weather conditions, windy conditions or when the temperature is below 60°F.

**NOTE:** This is a storable pool, which should be disassembled and stored when temperatures are expected to fall below 32°F.

Should you encounter a problem with your Polygroup Product, please do not return the product to the place or purchase. All Warranty claims must be made directly to Polygroup. Prior to contacting Customer Service, please first review the Troubleshooting Guide in the Installation Manual, or review the FAQ at [www.polygroup.com](http://www.polygroup.com). Please review setup instruction videos on [www.polygroup.com/video](http://www.polygroup.com/video). If you are still unable to correct the problem, please contact Polygroup customer service at (888) 919-0070. Have the product type and your purchase receipt ready. Our Customer Service Representative will assist you in resolving the problem. You may be asked to return all or part of the product for inspection and/or repair. Do not return any product to Polygroup without a Return Authorization number.

084-120202 - 2014 **1**

## Read and Follow All Safety Information and Instructions. Keep for Future Reference.

Failure to follow these warnings and instructions can result in serious injury or death to user, especially children.



### **⚠ DANGER**

#### **PREVENT DROWNING**

Watch children at all times.  
Observe all Safety Rules.

#### **NO DIVING! NO JUMPING!**

Shallow Water - You can be permanently injured.

### **⚠ WARNING**

#### **DO NOT SIT ON OR LAY OVER POOL WALL**

You can be permanently injured

#### **AVOID ENTRAPMENT**

Stay away from suction fittings  
You may drown

- Children, especially children younger than five years, are at high risk of drowning. Drowning occurs silently and quickly and can occur in as little as 2 in. (5 cm) of water.
- Keep children in your direct sight, stay close, and actively supervise them when they are in or near this pool and when you are filling and emptying this pool.
- When searching for a missing child, check the pool first, even if the child is thought to be in the house.
- Very Important: Swimming pool barriers, which restrict access to the pool by small children, may be required by law. A barrier is necessary to provide protection against potential drowning and near drowning. Barriers are not a substitute for constant supervision of children. Check state or local laws and codes before setting up pool.
- The use of artificial pool lighting is at the discretion of the pool owner. Lighting, when installed, should be in accordance with Article 680 of the National Electrical Code (NEC) or its latest approved edition and in consultation with a licensed electrical professional.
- During nighttime pool use, artificial lighting shall be used to illuminate all safety signs, ladders, steps, deck surfaces and walks.
- The floor of the pool shall be visible at all times from the outside perimeter of the pool.
- Local building codes may require obtaining a building or electrical permit. Installer shall follow regulations on setback, barriers, devices and other conditions.
- Post a list of emergency telephone numbers such as the nearest available police, fire, ambulance and/or rescue unit. These numbers are to be kept near the telephone, which is closest to the pool.
- Toys, chairs, tables or similar objects that a young child could climb shall be at least four feet (4') [121.92 cm] from the pool. The pump filter system shall be positioned so as to prevent it being used as a means of access to the pool by young children. Do not leave toys inside pool when finished using, since toys and similar items might attract a child to the pool.
- Basic lifesaving equipment, including one of the following should be on hand at all times:
  - \* A light, strong, rigid pole (shepherds crook) not less than twelve feet (12') [365.76 cm] long.
  - \* A minimum one-fourth inch (1/4") [6.35 mm] diameter rope as long as one and one half (1-1/2) times the maximum width of the pool or fifty feet (50') [15.24 meters], whichever is less, which has been firmly attached to a Coast Guard-approved ring buoy having an outside diameter of approximately fifteen inches (15") [38.1 cm], or similarly approved flotation device.

12. **Entrapment Avoidance:** There shall be no protrusions or other obstruction in the swimming area, which may cause entrapment or entanglement of the user. If a suction outlet cover is missing or broken, do not use the pool. Suction can cause body part entrapment, hair and jewelry entanglement, evisceration, or drowning. Repair or replace the suction outlet cover before allowing the pool to be used.
13. The pool is subject to wear and deterioration. If not maintained properly, certain types of excessive or accelerated deterioration can lead to failure of the pool structure that might release large quantities of water that could cause bodily harm and property damage.
14. Above ground / onground residential swimming pools are for swimming and wading only. No diving boards, slides or other equipment are to be added to an above ground / onground pool that in any way indicates that an above ground / onground pool may be used or intended for diving or sliding purposes.
15. Never allow horseplay, diving or jumping into or around the pool. Serious injury, paralysis or death, could result when this rule is disregarded. DO NOT ALLOW anyone to swim alone without supervision.
16. Safety signs shall comply with requirements of ANSI-Z535 and to use signal wording.
17. The pool is to be assembled by an adult; care should be taken in the unpacking and assembly of the pool, this pool may contain accessible potentially hazardous sharp edges or sharp points that are a necessary part of the function of the pool.
18. Become certified in cardiopulmonary resuscitation (CPR). In the event of an emergency, immediate use of CPR can make a lifesaving difference.
19. Keep all electrical lines, radios, speakers and other electrical appliances away from the pool.
20. Do not place pool near or under overhead electrical lines.
21. Remove pool ladders before leaving the pool. Children as young as 2 years have climbed up ladders and into pools and drowned.

**NOTICE:** CUSTOMERS THAT PURCHASE POOLS MAY BE REQUIRED BY LOCAL OR STATE LAW TO INCUR ADDITIONAL EXPENSES WHEN INSTALLING A POOL, IN ORDER TO COMPLY WITH STATE OR LOCAL LAWS REGARDING FENCING AND OTHER SAFETY REQUIREMENTS. CUSTOMERS SHOULD CONTACT THEIR LOCAL BUILDING CODE ENFORCEMENT OFFICE FOR FURTHER DETAILS.

### CONSUMER AWARENESS BOOKLETS

Contact: U.S. Consumer Product Safety Commission at [www.CPSC.gov/cpsc/pub/pubs/pool/pdf](http://www.CPSC.gov/cpsc/pub/pubs/pool/pdf), Pub. #362 "Safety Barrier Guidelines for Home Pools".

Contact: ASSOCIATION OF POOL & SPA PROFESSIONALS (formerly NSPI) at - [www.apsp.org/164/index.aspx](http://www.apsp.org/164/index.aspx)

These titles are now available: "The Sensible Way To Enjoy Your Aboveground / Inground Swimming Pool", "Children Aren't Waterproof", "Pool and Spa Emergency Procedures For Infants', Layers of Protection", and the "ANSI /NSPI-8 Model Barrier Code for Residential Swimming Pools, Spas, and Hot Tubs".

### DANGER:

Competent supervision and knowledge of the safety requirements is the only way to prevent drowning or permanent injury in the use of this product!  
Never leave young children unattended.

### DANGER: POOL SET-UP

Do not attempt to assemble this pool in adverse weather conditions, such as in high winds, strong gusts or when the temperature is below 60°F.

## FRAME POOL SETUP INSTRUCTION SHEET

### 1 SITE PREPARATION

#### WARNING - VERY IMPORTANT! SITE MUST BE LEVEL, STABLE, COMPACTED SOIL.

- The pool must be assembled on a smooth and level site of firm soil that is free of stones, gravel, sticks, blacktop or other oil base compounds. Do not install pool on a wooden deck or any type of wooden surface. You can not use sand and/or uncompacted soil to provide a level surface for this pool; it will only wash out.
- **FAILURE TO FOLLOW THE INSTRUCTIONS BELOW WILL CAUSE POOL TO COLLAPSE AND WILL VOID THE WARRANTY!**

- A. Select a level area, and completely remove all debris, twigs, stones, etc. DO NOT select an area under overhead electrical lines, trees or within 15 feet of a house, building, etc.
- B. The pool shall be located a minimum distance of 6 ft (1.83 m) from any electrical receptacle.
- C. All 125 volt, 15 and 20 ampere receptacles located within 20 ft (6.0 m) of the pool shall be protected by a ground fault circuit interrupter (GFCI). The 20 ft (6 m) distance is measured via the shortest straight line distance the supply cord would follow without piercing a floor, wall, ceiling, doorway, window, or other permanent barrier.
- D. Contact your local utilities, checking that no underground cables, telephone lines, gas lines, etc. run beneath the area you have selected.

### 2 POOL INSTALLATION

**WARNING: DO NOT** overfill the pool and / or allow people to lay over or sit on pool wall doing so can cause permanent injury. **DRAIN** pool to the proper level after a heavy rain.

**TIP:** It will be much easier to install your pool if you unfold it and let it lay in direct sunlight for about 2 hours prior to installation. This will help to insure a wrinkle-free fit because the pool material will be more pliable allowing it to form into shape during installation.

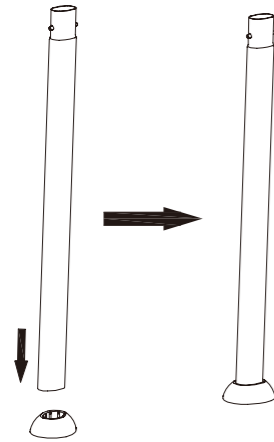
A		H		V		T		C		P		S	
Pool Model	Pool Size	Part#	Qty.	Part#	Qty.	Part#	Qty.	Part#	Qty.	Part#	Qty.	Part#	Qty.
PS20-1248	12'x48"	090-380092-1	x12	090-201408	x12	090-201410	x12	097-201201	x12	097-201202	x26	097-201203	x13
PS20-1339	13'x39"	090-380092-1	x13	090-201251-1	x13	090-380102-1	x13	097-201201	x13	097-201202	x28	097-201203	x14
PS20-1442	14'x42"	090-380092-1	x14	090-201409	x14	090-201411	x14	097-201201	x14	097-201202	x30	097-201203	x15
PS20-1542	15'x42"	090-380092-1	x15	090-201409	x15	090-380104-1	x15	097-201201	x15	097-201202	x32	097-201203	x16
PS20-1548	15'x48"	090-380092-1	x15	090-380097-1	x15	090-380104-1	x15	097-201201	x15	097-201202	x32	097-201203	x16
PS20-1642	16'x42"	090-380092-1	x16	090-201409	x16	090-380105-1	x16	097-201201	x16	097-201202	x34	097-201203	x17
PS20-1648	16'x48"	090-380092-1	x16	090-380097-1	x16	090-380105-1	x16	097-201201	x16	097-201202	x34	097-201203	x17
PS20-1652	16'x52"	090-380092-1	x16	090-380098-1	x16	090-380105-1	x16	097-201201	x16	097-201202	x34	097-201203	x17
PS20-1748	17'x48"	090-380092-1	x17	090-380097-1	x17	090-201303	x17	097-201201	x17	097-201202	x36	097-201203	x18
PS20-1752	17'x52"	090-380092-1	x17	090-380098-1	x17	090-201303	x17	097-201201	x17	097-201202	x36	097-201203	x18
PS20-1848	18'x48"	090-380092-1	x18	090-380097-1	x18	090-380106-1	x18	097-201201	x18	097-201202	x38	097-201203	x19
PW20-1848	18'x48"	090-380128-1	x18	090-380129-1	x18	090-380130-1	x18	097-201201	x18	090-380135	x38	090-380136	x19
PS20-1852	18'x52"	090-380092-1	x18	090-380098-1	x18	090-380106-1	x18	097-201201	x18	097-201202	x38	097-201203	x19
PW20-1852	18'x52"	090-380128-1	x18	090-380132-1	x18	090-380130-1	x18	097-201201	x18	090-380135	x38	090-380136	x19
PS20-2048	20'x48"	090-380092-1	x20	090-380097-1	x20	090-380108-1	x20	097-201201	x20	097-201202	x42	097-201203	x21
PS20-2052	20'x52"	090-380092-1	x20	090-380098-1	x20	090-380108-1	x20	097-201201	x20	097-201202	x42	097-201203	x21
PS20-2252	22'x52"	090-380092-2	x22	090-380098-2	x22	090-380127-2	x22	097-201201	x22	097-201202	x46	097-201203	x23
PS20-2448	24'x48"	090-380092-2	x24	090-380097-2	x24	090-380109-2	x24	097-201201	x24	097-201202	x50	097-201203	x25
PS20-2452	24'x52"	090-380092-2	x24	090-380098-2	x24	090-380109-2	x24	097-201201	x24	097-201202	x50	097-201203	x25
PS20-2652	26'x52"	090-380092-2	x26	090-380098-2	x26	090-201304-1	x26	097-201201	x26	097-201202	x54	097-201203	x27

Should you encounter any problems, contact the Customer Service at (888) 919-0070 from 8 AM to 5 PM Mon. thru Fri. EST. Extended operating days and hours during peak season requirements.

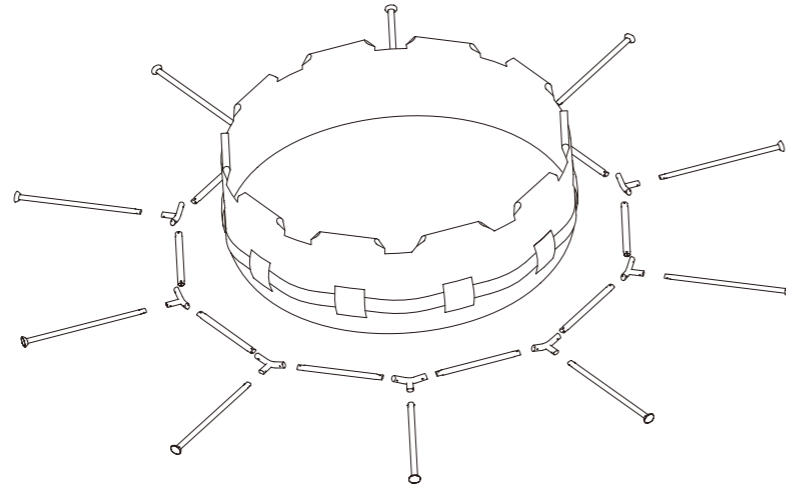
Should you encounter any problems, contact the Customer Service at (888) 919-0070 from 8 AM to 5 PM Mon. thru Fri. EST. Extended operating days and hours during peak season requirements.

- 1 Locate a level and flat area to setup the pool. Make sure the ground is free from sharp objects as it may puncture the pool.
- 2 **LIFT** the pool liner across the ground. **DO NOT** drag the liner from one location to another location.
- 3 Locate the pool so that the pump opening is 10 to 21 feet away from the electrical outlet.

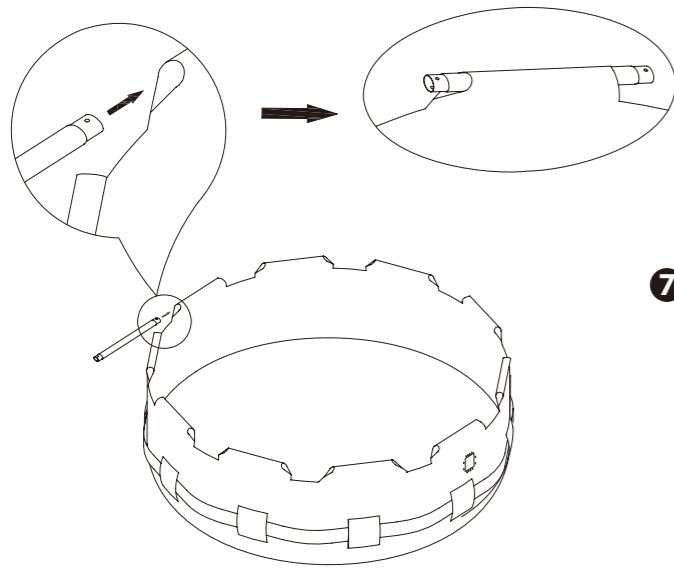
- 4 Put on the leg cap "C" in each vertical leg "V".



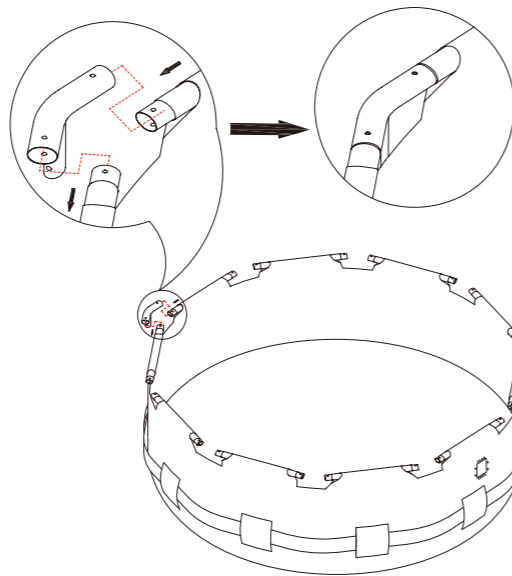
- 5 Lay down all parts on the ground as shown below.



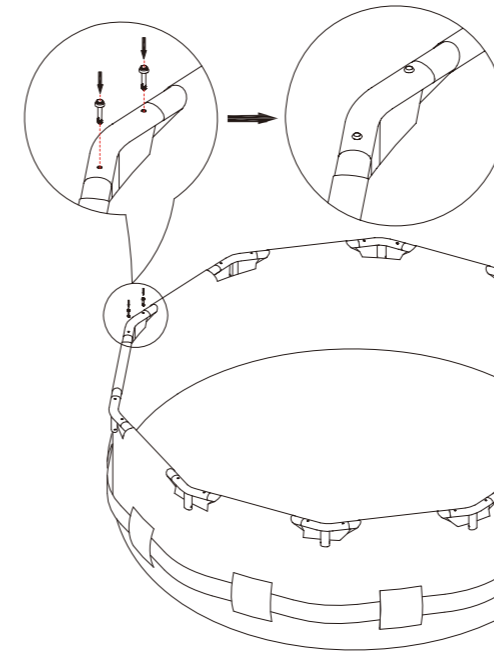
- 6 Carefully slide the horizontal beams "H" into the sleeves of the pool.



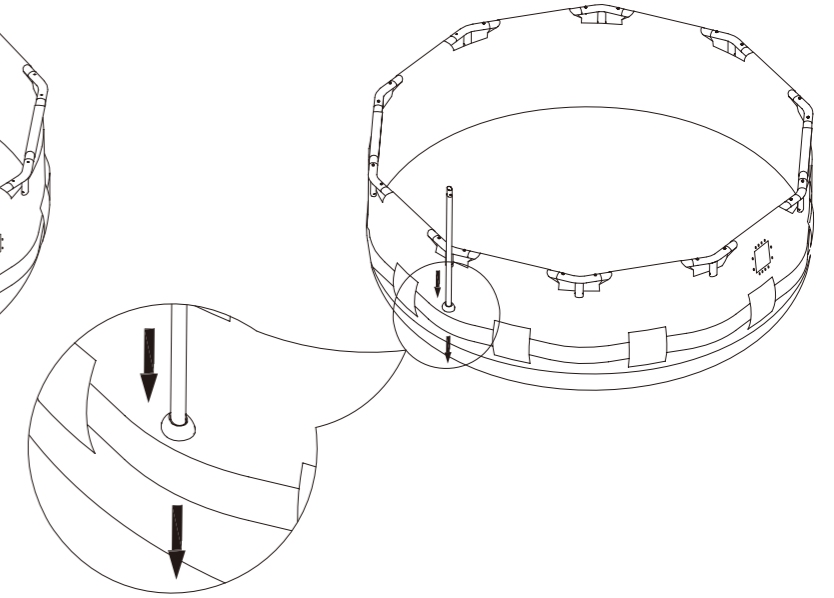
- 7 Connect the T-fitting "T" to horizontal beam "H".



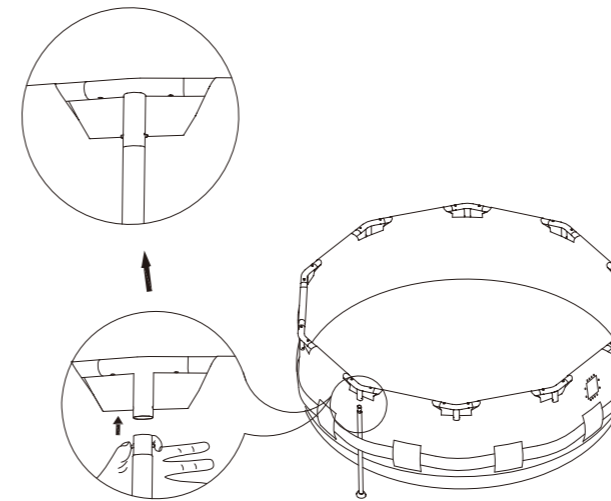
- 8 Insert the Pin "P" down through the top of the T-fittings until the Pin snaps into place on the lower side of the fitting.



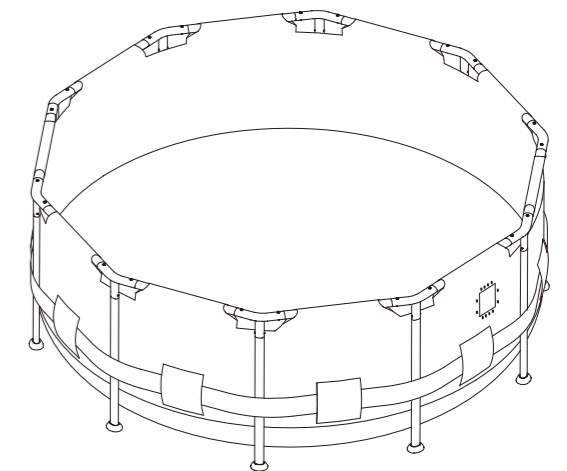
- 9 Carefully slide the Vertical leg "V" down through the belt that runs around the middle of the pool.



- 10 Look through the hole in the fitting as you insert and rotate the pipe until the buttons align with the holes and pop out, locking the leg in place.



- 11 Go around and check all fittings, legs and beams are properly installed and secured in place. Make sure the drain fitting is plugged securely and the cap is in place.



- 12** Start filling the pool with water until 1-inch of water is on the bottom, stop filling and smooth wrinkles out of the bottom of the pool. Push outward from inside the pool removing all wrinkles so that it fills evenly and flat. **IF MORE THAN 1-2 INCHES OF WATER COLLECTS ON ANY ONE SIDE BEFORE THE POOL STARTS FILLING IN THE CENTER, THE POOL IS NOT LEVEL ENOUGH, AND MUST BE CORRECTED, SEE SITE PREPARATION ON PAGE 4.**

### **3** DISASSEMBLY AND STORAGE

**GENERAL INFORMATION:** Pool must be stored if temperatures are expected to fall below 32°F.

- A. All parts should be cleaned with a mild soap and lukewarm water only - DO NOT use detergent or hot water.
- B. Make sure all parts are dry before storing to help prevent mildew from forming.
- C. Store all parts in a dry heated area where temperatures do not go below 32° F or above 125° F.
- D. Failure to follow the proper storage instructions could cause damage to pool parts and void warranty.
- E. YOU MUST FOLLOW THE ASSEMBLY INSTRUCTIONS TO REASSEMBLE YOUR POOL NEXT SEASON. Pool site must be cleared and leveled again before setting up your pool.

#### **DRAINING THE POOL:**

- A. To drain the pool, locate the drain plug on the outside of the pool wall and remove the drain cap. A standard garden hose will thread onto the drain fitting. Extend the hose to the area where the water is to be drained. When you have placed the garden hose where desired, the drain plug on the inside of the pool can be opened.
- B. Remove any remaining water as you wash and completely dry pool using a soft cotton cloth. Push the drain plug into the fitting and replace the cap.
- C. Frame Pools: If your pool has metal frame work, disassemble those pieces by depressing the plastic buttons sliding those pieces apart or by removing the plastic pins holding them together again sliding those pieces apart, clean them and wipe them dry. If in doubt of proper disassembly refer to the pools set-up sheet and reverse those steps. Place them all together in a safe storage place for reassembly next season. Order replacement parts for any damaged, broken, or worn parts.
- D. Solar blankets, leaf covers, ladders, etc., should be cleaned and dried before storing.

#### **LIMITED WARRANTY**

Polygroup Limited (Macao Commercial Offshore), (hereinafter "Polygroup") warrants to the original purchaser only, the ProSeries™ Metal Frame Pool (frame and liner) against defects in material and workmanship for 90 days from the date of purchase. Original Purchaser must retain proof of such purchase in the form of an original store sales receipt and must produce such upon request by Polygroup or its designated agents. Warranty claims cannot be processed without a valid proof of purchase.

This Limited Warranty applies only to the original purchaser of the product and is limited solely to the repair or replacement of the product, to be decided in Polygroup's sole discretion. Consequential damages, including claims for loss of water, pool chemicals, damage, or labor are not covered under this Limited Warranty.


This Warranty will be declared invalid should the Purchaser modify or repair the product themselves or by unauthorized persons; use non-Polygroup parts or accessories with the product; use the product in contravention of the Manufacturers Instructions; use improper voltage; abuse the product in any way; or through accident or negligence. Normal wear-and-tear is not covered under this Warranty, nor are acts of God outside the control of Polygroup.

IN NO EVENT SHALL POLYGROUP, THEIR AUTHORIZED AGENTS, RELATED ENTITIES, OR EMPLOYEES BE LIABLE TO THE BUYER OR ANY OTHER PARTY FOR DIRECT OR CONSEQUENTIAL DAMAGES. Some states or countries, or others jurisdictions do not allow the exclusion or limitation of incidental or consequential damages, so the above limitation or exclusion may not apply to you.


## **POOL COVER SAFETY**

IF YOU ARE GOING TO USE A POOL COVER, SOLAR COVER OR SOLAR BLANKET, PLEASE READ THIS INFORMATION.

#### POOL COVER WARNING SOLAR COVER WARNING

 **WARNING**

**AVOID DROWNING RISK**  
 STAY OFF COVER - WILL NOT SUPPORT WEIGHT.  
 KEEP CHILDREN AWAY. CHILDREN OR OBJECTS CAN NOT BE SEEN UNDER COVER.  
 REMOVE STANDING WATER - CHILD CAN DROWN ON TOP OF COVER.  
 REMOVE COVER COMPLETELY BEFORE ENTRY OF BATHERS - ENTRAPMENT POSSIBLE.  
 NON-SECURED OR IMPROPERLY SECURED COVERS ARE A HAZARD.  
 FAILURE TO FOLLOW ALL INSTRUCTIONS MAY RESULT IN INJURY OR DROWNING.  
 THIS IS NOT A SAFETY COVER.  
 TYPE OC COVER CLASSIFICATION.  
 INSTALL COVER WITH LABELS FACING UP.  
 USE DRAWSTRING TO SECURE COVER TO POOL.  
 THIS COVER MEETS REQUIREMENTS DESCRIBED IN SPECIFICATION F-1346 (ASTM).

 **WARNING**

**AVOID DROWNING RISK**  
 STAY OFF COVER - WILL NOT SUPPORT WEIGHT.  
 KEEP CHILDREN AWAY. CHILDREN OR OBJECTS CAN NOT BE SEEN UNDER COVER.  
 REMOVE STANDING WATER - CHILD CAN DROWN ON TOP OF COVER.  
 REMOVE COVER COMPLETELY BEFORE ENTRY OF BATHERS - ENTRAPMENT POSSIBLE.  
 NON-SECURED OR IMPROPERLY SECURED COVERS ARE A HAZARD.  
 FAILURE TO FOLLOW ALL INSTRUCTIONS MAY RESULT IN INJURY OR DROWNING.  
 THIS IS NOT A SAFETY COVER.  
 TYPE OC COVER CLASSIFICATION.  
 INSTALL COVER WITH LABELS FACING UP.  
 LAY COVER ON TOP SURFACE OF WATER.  
 THIS COVER MEETS REQUIREMENTS DESCRIBED IN SPECIFICATION F-1346 (ASTM).

### **VERY IMPORTANT**

DO NOT USE A POOL COVER, SOLAR COVER OR SOLAR BLANKET ON THIS POOL IF IT DOES NOT HAVE THIS TYPE OF WARNING LABEL ON THE COVER.

### **DANGER:**

Competent supervision and knowledge of the safety requirements is the only way to prevent drowning or permanent injury in the use of this product!  
 Never leave young children unattended.

# SFS TYPE SWIMMING POOL FILTER SYSTEM OWNER'S MANUAL FOR ABOVE GROUND SWIMMING POOLS

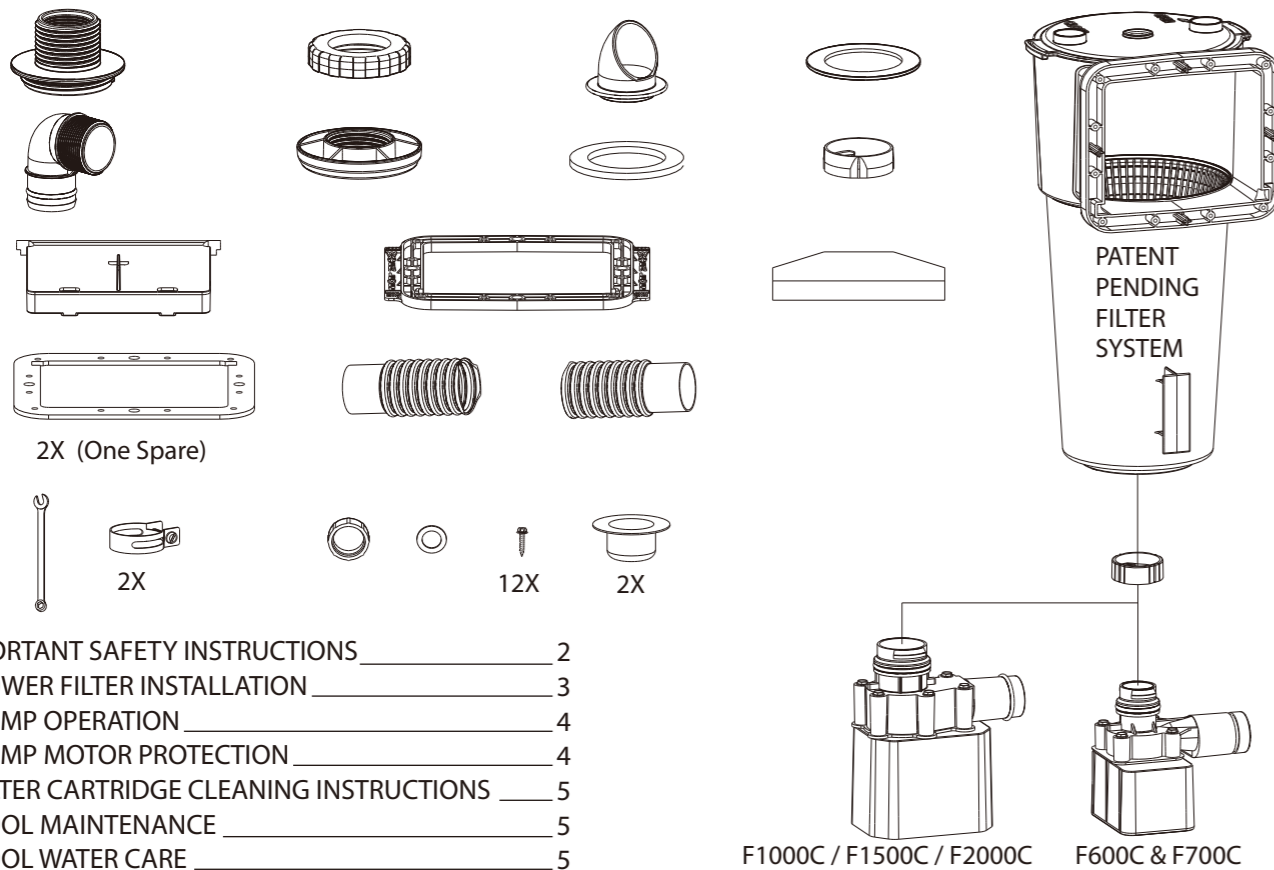
To order parts, accessories, or answers to frequently asked questions about your product please visit [WWW.POLYGROUPSTORE.COM](http://WWW.POLYGROUPSTORE.COM)

Customer Service: (888) 919-0070

To watch how to setup your product please visit:  
[WWW.POLYGROUP.COM/VIDEO](http://WWW.POLYGROUP.COM/VIDEO)

**DO NOT RETURN PRODUCT TO STORE**

DISTRIBUTED BY: POLYGROUP LIMITED (MCO)  
Avenida Xian Xing Hai, Centro Golden Dragon, 11 Andar M, Macau



IMPORTANT SAFETY INSTRUCTIONS	2
1. POWER FILTER INSTALLATION	3
2. PUMP OPERATION	4
3. PUMP MOTOR PROTECTION	4
4. FILTER CARTRIDGE CLEANING INSTRUCTIONS	5
5. POOL MAINTENANCE	5
6. POOL WATER CARE	5
7. TROUBLE SHOOTING GUIDE	6
8. POWER FILTER DISASSEMBLY AND STORAGE	7
PART LIST	8

Should you encounter a problem with your Polygroup Product, please do not return the product to the place of purchase. All Warranty claims must be made directly to Polygroup. Prior to contacting Customer Service, please first review the Troubleshooting Guide in the Installation Manual, or review the FAQ at [www.polygroup.com](http://www.polygroup.com). Please review setup instruction videos on [www.polygroup.com/video](http://www.polygroup.com/video). If you are still unable to correct the problem, please contact Polygroup customer service at (888) 919-0070. Have the product type and your purchase receipt ready. Our Customer Service Representative will assist you in resolving the problem. You may be asked to return all or part of the product for inspection and/or repair. Do not return any product to Polygroup without a Return Authorization number.

## IMPORTANT SAFETY INSTRUCTIONS

When installing and using this electrical equipment, basic safety precautions should always be followed, including the following:

### READ AND FOLLOW ALL INSTRUCTIONS



**WARNING** - To reduce the risk of injury, do not permit children to use this product unless they are closely supervised at all times.

**WARNING** - Risk of Electric Shock. Connect only to a grounding type receptacle. This product is provided with a ground-fault circuit-interrupter. If replacement of the plug or cord is needed, use only identical replacement parts.

**WARNING** - To reduce the risk of electric shock, replace damaged cord immediately.

**WARNING** - To reduce the risk of electric shock, do not use extension cord to connect unit to electric supply; provide a properly located outlet.



**CAUTION** - To reduce the risk of electric shock the pool must be installed no closer than 6 feet (1.8 m) from any electrical outlet. Do not place portable appliances closer than 5 feet (1.5 m) from the pool.

**CAUTION** - This pump is for use with storable pools only. Do not use with permanently-installed pools. A storable pool is constructed so that it is capable of being readily disassembled for storage and reassembled to its original integrity. A permanently-installed pool is constructed in or on the ground or in a building such that it cannot be readily disassembled for storage.

Do not bury cord. Locate cord to minimize abuse from lawn mowers, hedge trimmers, and other equipment.

The unit is provided with a ground-fault circuit-interrupter (GFCI). To test the GFCI, push the test button. The GFCI should interrupt power. Push the reset button. Power should be restored. If the GFCI fails to operate in this manner, the GFCI is defective. If the GFCI interrupts power to the pump without the test button being pushed, a ground current is flowing, indicating the possibility of an electric shock. Do not use this pump. Disconnect the pump and have the problem corrected by a qualified service representative before using.

## SAVE THESE INSTRUCTIONS

### PRELIMINARY STEPS

1. **READ ALL INSTRUCTIONS CAREFULLY** and get a thorough understanding of what is required to assemble your Type SFS Power Filter.
2. Before you begin to assemble the pool, identify, count, and check all parts needed for assembly.
3. It is recommended that you have some PETROLEUM JELLY on hand for lubricating the gaskets.

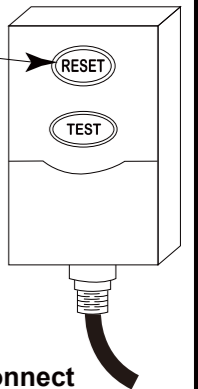
### POWER FILTER IMPORTANT NOTES:

1. Installer shall follow written instructions provided for operation of the circulation systems.
2. All electrical components shall be installed in accordance with Article 680 of the National Electrical Code (NEC) "Swimming Pools, Fountains and Similar Installations" or its latest approved edition.
3. The Filter Cartridge (9) 3-3/4" will hold as many as 2 of the 1" diameter chlorine tablets and the 8" will hold as many as 6 of the 1" diameter chlorine tablets. Check your chlorine levels to determine the proper number of chlorine tablets to add. The filter cartridge will automatically dispense chlorine into the pool as the pump runs. **You must have the type of Filter Cartridge (9) with a central core mesh divider (See page 3) to use the chlorine dispenser. DO NOT use this to dispense powdered chlorine, shock treatment or any other type of chemicals as damage to the pump, filter cartridge, and pool will occur.**
4. These Skimmer Filter Systems are manufactured by Polygroup and ETL control number 4000608 - double insulated and grounded - 115 V.A.C. - 60 Hz. (Unit must have a minimum of 105 V.A.C. to start and run properly.) The units' wattage and capacity is as follows:



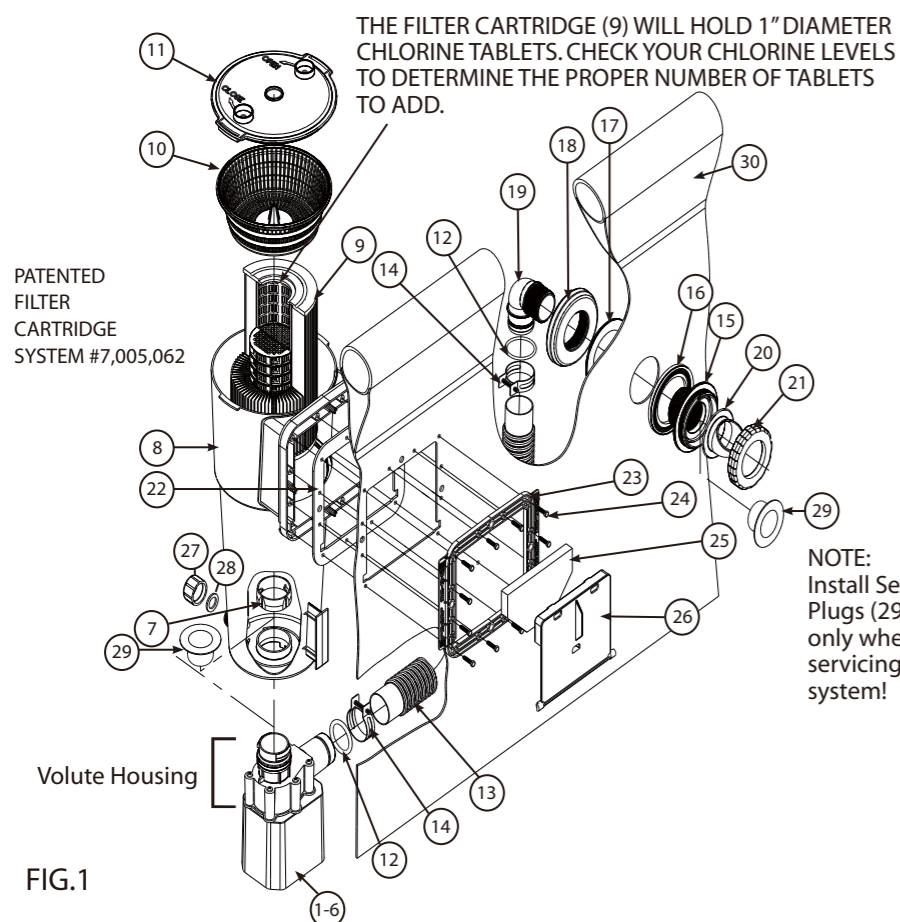
How to use the GFCI plug:

Press "RESET" Button To Start Pump Operation



\*Do not connect to a timer device

Pump System	Wattage	Amperage
SFS600 Filter System with F600C Pump	46 watts	0.8 amps
SFS600 Filter System with F700C Pump	57 watts	1.1 amps
SFS1000 Filter System with F700C Pump	57 watts	1.1 amps
SFS1000 Filter System with F1000C Pump	80 watts	2.2 amps
SFS1000 Filter System with F1500C Pump	120 watts	2.2 amps
SFS2000 Filter System with F2000C Pump	210 watts	2.2 amps



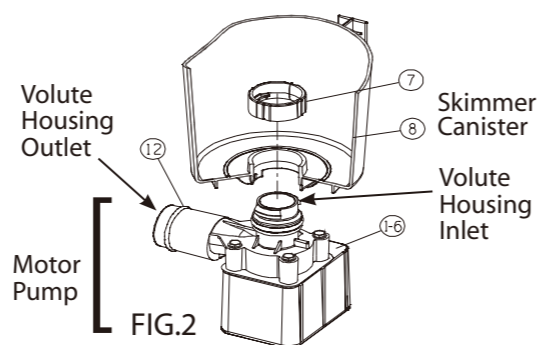
KEY	DESCRIPTION
1-6	MOTOR PUMP
7	PUMP RETAINING NUT
8	SKIMMER CANISTER
9	FILTER CARTRIDGE
10	STRAINER BASKET
11	LOCK TOP
12	O-RING
13	RETURN HOSE
14	HOSE CLAMP
15	POOL WALL FITTING
16	RUBBER GASKET
17	THRUST WASHER
18	NUT
19	ELBOW 90°
20	DIVERTER FITTING
21	LOCKING RING
22	GASKET (One Spare Included)
23	FACE PLATE
24	HEX HEAD SCREWS
25	WEIR FOAM
26	WEIR
27	DRAIN CAP
28	SEAL GASKET
29	SERVICE PLUG
30	POOL WALL

NOTE:  
Install Service  
Plugs (29)  
only when  
servicing  
system!

## 1 POWER FILTER INSTALLATION (Reference Page 3, Fig. 1)

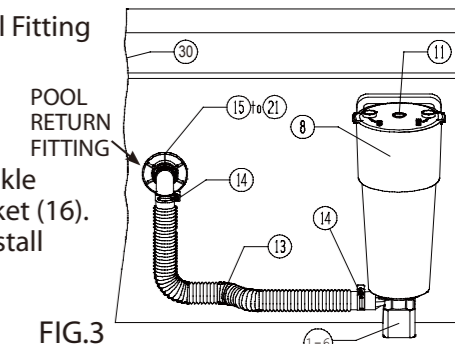
A. First, Locate the filter assembly, remove the Lock Top (11), Strainer Basket (10), and Filter Cartridge (9) from the assembled Filter Case. Locate the mounting location for the power filter on the Pool Wall (30). Install one Gasket (22) over the four alignment pins on the skimmer canister (8) and place it up to the outside pool wall inserting the four alignment pins through the four large holes in pool wall. Now leaning against the Skimmer to hold it in place add the inside gasket (22) over the pins on the inside of the pool wall. Now place the Face Plate (23) over the alignment pins. **NOTE:** An extra gasket is included for your convenience. Place the Hex Head Screws (24) into the holes. Start all the Hex Head Screws one and a half turns each. Then proceed in tightening them in equal turns each in sequence around the Face Plate until all are equally tight and you have a good even seal. **Warning!** Be sure not to over tighten them, you just need a water tight seal.

B. Now lubricate the pump O-ring with petroleum jelly (not provided). Hold the Skimmer Canister (8) securely, and insert motor pump so that the outlet on the volute housing extends out of the opening in the side of the filter case as shown in Fig. 2. Insert the motor pump until the two ribs on the inlet of the volute housing protrude through the bottom of the filter case. Reach down inside the canister and place the Pump Retaining Nut (7) over the top of the volute housing inlet as shown in Fig. 2. Twist the Nut (7) clockwise until it is snug.



C. Locate the Pool Wall Fitting assembly parts (15-21). Lubricate the black Wall Fitting Gasket (16) with petroleum jelly and install it over the threads on the Pool Wall Fitting (15). Insert the pool wall fitting with the gasket through the hole in the wall from the inside of the pool. Place the Thrust Washer (17) over the pool wall fitting and then thread the Wall Fitting Nut (18) onto the fitting until it is hand tight. **DO NOT** over tighten the wall fitting nut or wrinkle the pool wall around the Wall Fitting Thrust Washer (17) or Wall Fitting Gasket (16). Now apply some petroleum jelly to the thread of the Elbow 90° (19) and install the elbow into the wall fitting assembly. Install the Diverter Fitting (20) and Locking Ring (21) onto the wall fitting.

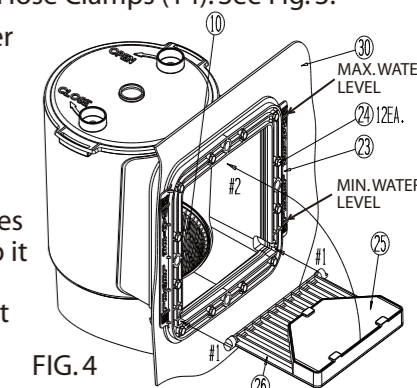
FIG.3



D. Get the Return Hose (13) and remove the two Hose Clamps (14) from the hardware bag. Loosen the hose clamps and slide them over the end of the hose. It is recommended to lubricate the O-Rings (12) on the Volute Housing and on the Elbow (19) before installing the hose (13). Install the hose on the pump volute housing and on the Elbow (19). Tighten both of the Hose Clamps (14). See Fig. 3.

E. Place the Filter Cartridge (9) and the Strainer Basket (10) back into the Skimmer Canister (8). It is important that the Filter Cartridge (9) slips over the Pump Retaining Nut (7) and seals at the bottom of the canister so that the Strainer Basket (10) will seat in its groove inside the canister. See Fig. 4. Place the Lock Top (11) on top of the Skimmer Canister (8) and lock it in place by turning it clockwise until it is locked. Push the Weir Foam Pad (25) into the Weir (26) and under the tabs, to hold it in place. Take the Weir (26) and slide it into the grooves from inside the pool. See Fig. 4. Once the weir is pushed inside the grooves, flip it over as shown by the Arrow #2 in Fig. 4, to lock it in place. **NOTE:** The weir can **ONLY** be pushed into the grooves as shown by Arrows #1 in Fig. 4, by holding it horizontal. Be sure the weir moves freely through the opening, if not carefully trim away any obstructing material to allow the weir to move freely.

FIG. 4



F. After the pool is filled (refer to water level in FIG. 4), check the hose connections and fittings to make sure there is no water leakage. If any leaks are found, see #4 in the Trouble Shooting guide on page #6.

## 2 PUMP OPERATION

**IMPORTANT: PRESS "RESET" BUTTON ON THE GFCI PLUG TO START BEFORE USING.**

**IMPORTANT: FILTER CARTRIDGE MUST BE FIRMLY SEATED OVER THE PUMP INTAKE PORT TO FILTER THE POOL WATER EFFICIENTLY.**

**NOTE: ONLY FILTER CARTRIDGES WITH A 1-3/4" INCH DIAMETER HOLE WILL WORK PROPERLY. ANY OTHER SIZE HOLE WILL PREVENT PROPER FILTRATION. THE CARTRIDGE MUST SEAL TIGHTLY AROUND BOTH ENDS.**

A. Plug the GFCI power cord of the filter assembly into a properly grounded receptacle, located at least 10 feet away from the pool.

B. **Press the RESET Button to Start the Pump.**

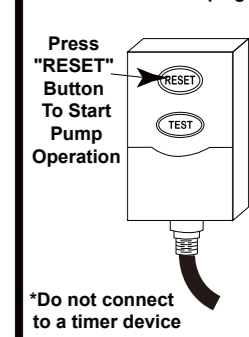
C. Check the return fitting on the inside of the pool for correct flow, it should feel like a solid stream of water returning to the pool. You can use the return flow as a gauge to determine when the filter needs cleaning and/or replacement. If you feel a reduction in flow, clean and/or replace filter.

D. Test water and adjust as needed, see "POOL WATER CARE," page #5. **VERY IMPORTANT - PUMP AND FILTER ALONE WILL NOT PREVENT ALGAE FROM GROWING IN POOL WATER; THIS CAN ONLY BE DONE BY MAINTAINING PROPER CHLORINE AND pH LEVELS AT ALL TIMES!**

E. The filter may need to be cleaned and/or replaced several times at start up until the correct chlorine and pH levels are attained. We recommend that you keep at least one spare cartridge on hand at all times. Filter cartridges may be purchased at the store you purchased your pool from, or ordered from Polygroup.

F. There is a Drain Cap (#27) and Seal Gasket (#28) at the bottom of the Filter Canister (#8) to allow you to drain off sediment and debris at the bottom of the canister. Place them back on and hand tighten only after allowing them to drain off a little water to flush the canister bottom out.

How to use the GFCI plug:



## 3 PUMP MOTOR PROTECTION

**IMPORTANT!** Your pump is protected by a thermal overload. This device senses the temperature of the pump and if it is getting too hot, it will open the electric circuit and the pump will stop running until it cools off. It will automatically turn back on when it has cooled down. This is a safety device to help prevent excessive pump damage. If your pump is automatically turning off, it is because of high pool water temperature and/or low water flow through the pump. If this happens you need to check water flow through the filter and correct it if needed as this pump uses the water flow for cooling. You may also want to run the pump at night when the temperature is lower.

## 4 FILTER CARTRIDGE CLEANING INSTRUCTIONS

- A. First, unplug (turn off) the Power Filter. Then remove the Lock Top (11) by turning it counter clockwise. Remove the Strainer Basket (10) and the Filter Cartridge (9).
- B. The filter cartridge can be cleansed of coarse dirt and debris by pressure washing inside and out with a garden hose, making sure to wash between all pleats. Fine particles of dirt are more easily removed from the filter pleats when the cartridge is dry. Therefore, after hosing the cartridge, allow the filter to dry and CAREFULLY BRUSH, but do not scrub the pleated surface areas. Cleaning and scrubbing a filter too vigorously will also wear out the cartridge much faster than if it is simply hosed off correctly.
- C. Suntan oils, body oils, and algae can form a coating on the filter pleats which may not be thoroughly removed by hosing. Such films of oils and/or algae will rapidly clog up the filters' pores, greatly reducing filtration. Therefore, it is imperative to remove such materials from the filter element as soon as possible. To remove oils, we recommend soaking the cartridge in a solution of **1 pound of trisodium phosphate** (or any other strong detergent) **to 5 gallons of water for up to 12 hours**. Trisodium phosphate is available in many supermarkets, hardware stores, or janitorial supply stores. After the oils have been removed, rinse the filter cartridge to remove any dirt. If algae is a problem, add **1/2 pint of pool chlorine or 1 pint of liquid household bleach** to the cleaning solution, **1 hour** before removing the filter cartridge from the solution. Thoroughly rinse the filter cartridge before replacing it in the filter case. Check the pool chemistry to determine the cause of algae growth.
- D. Excessive calcium and/or mineral deposits may build up on a filter cartridge and should be handled differently. Contact your local pool supply store to ask about additional filter cartridge cleaners or treatment for calcium or mineral deposits. Check pool chemistry for high pH or alkalinity; this may cause a calcium or mineral build-up. Now is a good time to put chlorine tablets into the Filter (9) if necessary.
- E. A spare "stand-by" Filter Cartridge is an excellent investment. It provides a convenient way to continue filtration of your pool while cleaning or replacing a dirty Filter Cartridge. Also, a well-maintained, clean cartridge assures you that your filter will always be ready to operate at peak efficiency.

## 5 POOL MAINTENANCE

- A. Check and adjust pH and chlorine levels daily using required chemicals. See "POOL WATER CARE," below.
- B. Check filter output daily. If flow is reduced, see Symptom 2 in "TROUBLE SHOOTING GUIDE," page #6.
- C. Check filter for leaks. If a leak is found, see Symptom 4 in "TROUBLE SHOOTING GUIDE," page 6.
- D. Check seams in pool periodically. Minor repairs may be made with the patch kit (supplied with pool). Additional patches are available from Polygroup or your local pool supply store.

## 6 POOL WATER CARE

- A. The following items are required and readily available from your local pool supply store:
- TEST KIT - Used to check chlorine and pH levels.
  - 1" CHLORINE TABLETS - Used to disinfect pool water and help control the growth of algae.
  - pH CONTROL CHEMICALS - Used to adjust pH levels Up (Soda Ash) or Down (Acid).
  - ALGAECIDES - Used to eliminate algae.
  - SUPERCHLORINATOR - Used to destroy combined chlorine, ammonia, nitrogen, and organic compounds.
  - LEAF NET with handle - Used to remove leaves, trash, insects, etc. from pool.
  - CHLORINE DISPENSER (Supplied with Filter) - Used to dispense 1" chlorine tablets ONLY.
- B. Use test kit daily to check pH and chlorine levels. Adjust accordingly using the required chemicals.
- NOTE:** Excessive levels of chlorine or low pH levels will damage pool liner.
- C. The pool can be cleaned using a garden hose powered vacuum from Polygroup or a pool supply store.
- D. Using a foot bath near the pool to wash off your feet prior to entering the pool will assist in keeping the pool clean.
- E. Well water often presents special problems with water chemistry. If you must use well water, take a sample to your local pool chemical supplier for analysis before adding ANY chemicals.
- F. Use the gallons for your pool to calculate the amount of chemicals you will need to correct the pool water based on the gallons of water in your pool.
- NOTE:** It is recommended to use a 5 gallon bucket of water to mix and dissolve your chemicals and then applying directly to the pool water. Follow manufacturers label directions on all chemicals.

Should you encounter any problems, contact the Customer Service at (888) 919-0070 from 8 AM to 5 PM Mon. thru Fri. EST. Extended operating days and hours during peak season requirements.

5

- \* Most pool supply stores will test your pool water for free and advise you of what chemicals you need, and the correct amount to use for your pool. You will need to tell them the pool capacity in gallons.
- G. **IMPORTANT** - We cannot over-stress the importance of proper and adequate daily chemical treatment. Chlorine and pH levels must be maintained at all times. **PUMP AND FILTER ALONE WILL NOT PREVENT ALGAE FROM GROWING IN POOL WATER; THIS CAN ONLY BE DONE BY MAINTAINING PROPER CHLORINE AND pH LEVELS AT ALL TIMES.**
- Maintain pH level between 7.3 and 7.8.
  - Maintain chlorine level between 1.0 and 1.6 ppm (parts per million).
  - Superchlorinate your pool at least every other week.

### NOTE:

- A. Hot weather/heavy use may require pH and chlorine levels to be maintained on the upper side of the scale and superchlorination of the pool every week.
- B. Using a pool cover and/or solar cover will assist in maintaining your pH and chlorine levels by reducing the amount of evaporation from your pool.

**CAUTION** - Concentrated chlorine levels and low pH levels will damage pool. You must follow the instructions for the pool chemicals you use, as to quantity and recommended usage.

**NEVER** drop lumps or pellets of chemicals in pool; this may present a hazard to swimmers and/or damage your liner.

## 7 TROUBLE SHOOTING GUIDE

### NOTE:

When Pump needs servicing or working on Return Hose (13), turn off power and install the Service Plug (29) into Pool Wall Fitting (15) after removing Locking Ring (21) and Diverter Fitting (20). Also install a Service Plug (29) into center hole of the Skimmer Canister (8) after removing the Pump Retaining Nut (7). See FIG. 1. When service is complete remove both Service Plugs (29) reversing the procedures above.

### DISCONNECT ELECTRICAL CORD BEFORE TROUBLESHOOTING FILTER

SYMPTOM	PROBLEM	POSSIBLE SOLUTION
1 Motor fails to start or kicks on and off.	A Unit Not Plugged In	A Unit must be plugged into a 3-wire grounded outlet.
	B GFCI Breaker Tripped	B Reset circuit breaker. If problem persists, have an electrician check circuit.
	C Low Voltage	C Check line voltage - must be 105 to 125 AC volts.
2 No flow or low flow through return hose	A Low Water Level	A Water level must be within 1" above or below the center line of the Power Filter Inlet opening.
	B Inlet / Discharge Clogged	B Check for obstructions at strainer basket and in return hose.
	C Filter Dirty	C Clean (see page #5) or replace cartridge. Spare cartridges make service more convenient.
3 Filter is not cleaning pool (water cloudy, green, etc.)	A Chlorine Level	A Maintain chlorine level between 1.0 and 1.6 ppm
	B Filter Dirty	B Clean (see page #5) or replace cartridge. Spare cartridges make service more convenient.
	C pH Level	C Maintain pH Level between 7.3 and 7.8.
	D Cartridge Damaged	D Check cartridge for damage and/or holes. Replace if damaged.
	E Low Water Flow	E Check for obstructions at strainer basket and in return hose.
4 Water Leakage	F Other Chemicals Required	F Have water tested at pool supply store. It may be necessary to add other chemicals due to varying water quality in different localities.
	G Pool Water Very Dirty	G Run pump more often, but never when pool is in use. Clean filter more often.
	A Return Hose	A Adjust hose clamps (14) on cuff, check O-Ring (12) and retighten. Check hose for any holes or cracks. Replace if needed. See page #3.
	B Pump to Volute Housing	B Tighten screws.
	C Volute Housing to Filter	C Check Volute Housing O-Ring for damage.
<b>PROBLEMS: Should you encounter any problems, contact the Customer Service at (888) 919-0070. Extended operating days and hours during peak season requirements.</b>		

Should you encounter any problems, contact the Customer Service at (888) 919-0070 from 8 AM to 5 PM Mon. thru Fri. EST. Extended operating days and hours during peak season requirements.

6

**PART LIST**

Key#	Description	Part #						Qty.
		SFS600/F600C	SFS600/F700C	SFS1000/F700C	SFS1000/F1000C	SFS1000/F1500C	SFS2000/F2000C	
1	Pump Body With Cord & GFCl	096-050136	096-050406	096-050406	096-050504	096-050504	096-050564	X1
2	Rotor Assembly	096-050137	096-110003	096-110003	096-050505	096-050506	096-050565	X1
3	Pump Gasket	078-110186	078-110031	078-110031	078-110078	078-110078	078-110078	X1
4	Volute Housing	078-110187	078-110189	078-110189	078-110097	078-110197	078-110147	X1
5	Phillips Head Screw (6 EA)	090-010063	090-010063	090-010063	090-010063	090-010063	090-010063	X1
6	O-Ring (On Volute Housing)	090-130012	090-130012	090-130012	090-130012	090-130012	090-130025	X1
*	Assembled Pump #1 THRU #6	096-050611	096-050610	096-050610	096-050609	096-050608	096-050607	X1
7	Pump Retaining Nut	078-110110	078-110110	078-110110	078-110110	078-110110	078-110143	X1
8	Skimmer Canister	078-110249	078-110249	078-110219	078-110219	078-110219	078-110218	X1
9	3-3/4" Filter Cartridge	R-P52-0001						X1
*	8" Filter Cartridge		R-P52-0002	R-P52-0002	R-P52-0002	R-P52-0002	R-P52-0002	X1
10	Strainer Basket	078-110222	078-110222	078-110222	078-110222	078-110222	078-110222	X1
11	Lock Top	078-110221	078-110221	078-110221	078-110221	078-110221	078-110221	X1
12	O-Ring-(Hose Connection)	090-130029	090-130030	090-130030	090-130030	090-130030	090-130030	X2
13	Return Hose 3FT	063-060032	063-060010	063-060010	063-060010	063-060010	063-060010	X1
14	Hose Clamp	PF2201/PF221-1	090-160005	090-160005	090-160005	059910-250450-00PR01-1	059910-250450-00PR01-1	X2
15	Pool Wall Fitting	078-110223	078-110223	078-110223	078-110223	078-110223	078-110223	X1
16	Gasket	078-110224	078-110224	078-110224	078-110224	078-110224	078-110224	X1
17	Thrust Washer	078-110225	078-110225	078-110225	078-110225	078-110225	078-110225	X1
18	Nut	090-020047	090-020047	090-020047	090-020047	090-020047	090-020047	X1
19	Elbow 90°	078-110250	078-110226	078-110226	078-110226	078-110226	078-110226	X1
20	Diverter Fitting	078-110227	078-110227	078-110227	078-110227	078-110227	078-110227	X1
21	Locking Ring	078-110228	078-110228	078-110228	078-110228	078-110228	078-110228	X1
22	Gasket	078-110229	078-110229	078-110229	078-110229	078-110229	078-110229	X1
23	Face Plate	078-110230	078-110230	078-110230	078-110230	078-110230	078-110230	X1
24	Hex Head Screws (12 EA.)	090-010063	090-010063	090-010063	090-010063	090-010063	090-010063	X1
25	Weir Foam	090-330027	090-330027	090-330027	090-330027	090-330027	090-330027	X1
26	Weir	078-110231	078-110231	078-110231	078-110231	078-110231	078-110231	X1
27	Drain Cap	078-110254	078-110254	078-110254	078-110254	078-110254	078-110254	X1
28	Seal Gasket	078-110255	078-110255	078-110255	078-110255	078-110255	078-110255	X1
29	Service Plug	078-110126	078-110126	078-110126	078-110126	078-110126	078-110126	X1
*	Assembled Pump #1 THRU #29	096-201422	096-201423	096-201424	096-201425	096-201426	096-201427	X1

**8 POWER FILTER DISASSEMBLY AND STORAGE**

- A. First, unplug the main power cord of the Power Filter.
- B. Remove the Lock Top Retainer (11) by turning counter-clockwise to unscrew. Remove Strainer Basket (10) and the Filter Cartridge (9) and remove any chlorine tablets left inside the core section of the filter.
- C. Loosen all the Hose Clamps (14), remove the Return Hose (13) and allow water to drain out.
- D. Remove the Pool Wall Fitting (15-21) clean the parts and lubricate Gasket (16) with petroleum jelly and reassemble all parts then place them in a safe place.
- E. Remove the Pump Retaining Nut (7) by turning it counter-clockwise and then remove the Pump lowering it from the Skimmer Canister (8) now clean the pump, dry it off, and then lubricate both the O-Rings (6, 12) on the pump with petroleum jelly and place it in a safe place.
- F. Remove the Hex Head Screws (24) from the Skimmer Face Plate (23) being sure to support the Skimmer Canister (8) from falling and carefully remove the Face Plate (23), the Weir (26) and the Gasket (22). Next remove the Skimmer Canister (8) and the remaining Gasket (22). Clean all parts, dry them off, and reassemble partially tightening the Hex Head Screws (24). Clean and reassemble the Strainer Basket (10) and the Lock Top (11) onto the Filter Case (8). Place the assembled unit in a safe place.
- G. Clean and dry all filter cartridges, place them with the Skimmer Canister unit, Pump, Return Hose, Clamps and the Wall Fitting in a safe place.

**LIMITED WARRANTY**

Polygroup Limited (Macao Commercial Offshore), (hereinafter "Polygroup") warrants to the original purchaser only, the SFS type Electric Filter Pump against defects in material and workmanship for 180 days from the date of purchase. Original Purchaser must retain proof of such purchase in the form of an original store sales receipt and must produce such upon request by Polygroup or its designated agents. Warranty claims cannot be processed without a valid proof of purchase.

This Limited Warranty applies only to the original purchaser of the product and is limited solely to the repair or replacement of the product, to be decided in Polygroup's sole discretion. Consequential damages, including claims for loss of water, pool chemicals, damage, or labor are not covered under this Limited Warranty.

This Warranty will be declared invalid should the Purchaser modify or repair the product themselves or by unauthorized persons; use non-Polygroup parts or accessories with the product; use the product in contravention of the Manufacturers Instructions; use improper voltage; abuse the product in any way; or through accident or negligence. Normal wear-and-tear is not covered under this Warranty, nor are acts of God outside the control of Polygroup.

IN NO EVENT SHALL POLYGROUP, THEIR AUTHORIZED AGENTS, RELATED ENTITIES, OR EMPLOYEES BE LIABLE TO THE BUYER OR ANY OTHER PARTY FOR DIRECT OR CONSEQUENTIAL DAMAGES. Some states or countries, or others jurisdictions do not allow the exclusion or limitation of incidental or consequential damages, so the above limitation or exclusion may not apply to you.