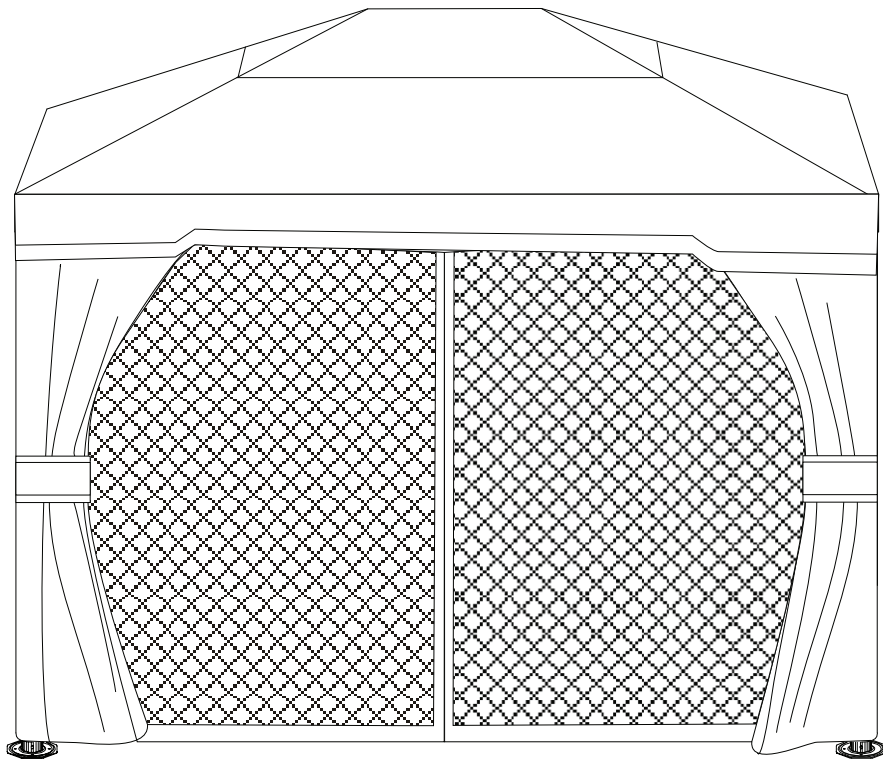




essential garden™



OWNER'S MANUAL

Privacy Gazebo

Product Code: 780-06019874-4

UPC Code: 6939622430107

Date of purchase: ____ / ____ / ____

Congratulations on the purchase of your new Privacy Gazebo! You will be able to exploit your 10' x 12' sun shelter during most of the year with its elegant curtains and protective UV resistant polyester top. Built in a tough steel frame, you will enjoy all the advantages of comfort in a cool, dry and mosquito-free setting.

TABLE OF CONTENTS

Safety Informationpg 2	Pre-Installationpg 4
Warrantypg 3	Planning installation	
What is covered		Tools required	
What is not covered		Hardware included	
Operationpg 3	Hardware Kitpg 5
Maintenancepg 3	Package contentspg 6
Care and cleaningpg 3	Installationpg 7-15

SAFETY INFORMATION

It is very important to read and follow the safety precautions before assembly and during the use of the product.

WARNING:

KEEP ALL FLAME AND HEAT SOURCES AWAY FROM TENT FABRICS AND CURTAINS. This fabric meets the flammability requirements of CPAI-84. The fabric may burn if left in continuous with any flame source. The application of any foreign substance to the tent fabric may render the flame-resistant properties ineffective.

1. Keep all children and pets away from assembly area.
2. When assembling and using this product, basic safety precautions must always be followed to reduce risk of personal injury and damage to product or surroundings.
3. Some parts may contain sharp edges, wear protective gloves.
4. It is recommended that, for safety issues, at least 2 people assemble the gazebo. This unit will take at least 3 hours to set up. You must schedule enough time to complete the assembly. You cannot leave the unit unattended if it is not fully assembled, even if it is already anchored to the ground.
5. Begin assembly no less than 6 feet from any obstruction including, but not limited to, a fence, garage, house, overhanging branches, laundry line or electrical wires.
6. Always install your unit on a level platform. The unit must be anchored to either wood or concrete using the appropriate screws for that flooring or ground.
7. Check all screws for tightness before and during usage.
8. The fabric roof of the unit can and may collapse with any snow accumulation or freezing rain. The fabric roof must be removed and stored during these periods. Failure to do so will nullify the Warranty.
9. Do not place any type of heat conductor under the sun shelter or within 5 feet of the unit including, but not limited to, a barbeque or space heater.
10. If at any time you require assistance to assemble your gazebo contact the Hengya Trade customer service team at 1-855-379-7070 or email service@hengyatrade.com



WARRANTY

Your shelter has been created for four seasons however the roof will not resist to severe cold, snow accumulation and/or freezing rain. You **MUST** remove the roof fabric, the curtains and/or the mosquito netting and store them safely throughout the winter months susceptible to the above-mentioned conditions. Failure to do so may nullify the Warranty.

WHAT IS COVERED

The 10' x 12' sunshelter is guaranteed against defective materials based on normal use of the product as follows: 2 years on the frame, 3 years on the frame's finish, 2 years on the fabric. Limited warranty applicable on parts only.

WHAT IS NOT COVERED

- Damages due to vandalism, abuse or wrong use of the product.
- Damages due to extreme weather conditions such as thunderstorms, windstorms and hailstorms.
- Fabric and structure discoloration

Contact the Hengya Trade customer service team at 1-855-379-7070 or email service@hengyatrade.com.



OPERATION

1. Your shelter has been created for four seasons however the roof will not resist to severe cold, snow accumulation and/or freezing rain. You **MUST** remove the roof fabric, the curtains and/or the mosquito netting and store them safely throughout the winter months susceptible to the above-mentioned conditions. Failure to do so may nullify the Warranty.
2. The unit must be anchored properly to the floor or ground using the appropriate screws.



MAINTENANCE

If this shelter needs repairs, **DO NOT RETURN THE PRODUCT TO KMART.**

- In case of a defective part or if a problem occurs while using product, please contact the Hengya Trade customer service team at 1-855-379-7070 or email service@hengyatrade.com.
- Have your Instruction Manual ready and the part(s) number from the Parts List to order replacement parts.



CARE AND CLEANING

- For cleaning: Use a domestic soap or detergent and wash with warm water using a sponge or fabric. Rinse with clean water. Do not put in washing machine or dryer.
- Do not put fabric roof, curtains and/or mosquito netting in a washing machine or dryer.
- Check periodically that all screws are tight to maintain the solidity of the structure.
- Remove and store in a safe, dry area the roof fabric, curtains and/or mosquito netting during the winter months (where areas susceptible to severe cold, snow accumulation and freezing rain.)



PRE-INSTALLATION

- It is the consumer's responsibility to comply with any building codes, ordinances, zoning limitations, or local homeowner's restrictions and obtain any required permit, before purchase and installation of the product.
- Make sure that all the parts are in the box(s) before starting the assembly.
- Some parts may contain sharp edges, wear protective gloves.
- This unit will take at least 3 hours to set up. You must schedule enough time to complete the assembly.
- It is recommended that, for safety issues, at least 2 people assemble the gazebo. This unit will take at least 3 hours to set up. You must schedule enough time to complete the assembly. You cannot leave the unit unattended if it is not fully assembled, even if it is already anchored to the ground.
- You cannot leave the sun shelter unattended if not fully assembled, even if bolted to the ground.
- At least 3 people are recommended for assembling the unit.
- Follow all instructions to assure the strength of the shelter.
- In order to avoid damage to the shelter and its components, use appropriate tools. Do not use the structure as a support; a stepladder is recommended.
- Keep instructions and parts list for future reference.

TOOLS REQUIRED [not included in box]



SAFETY GOGGLES



SAFETY HAT



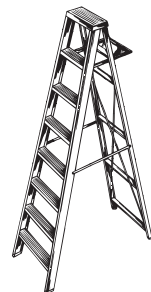
GLOVES



LEVEL



PHILLIPS SCREW DRIVER

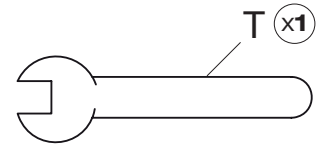
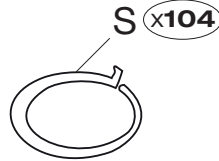
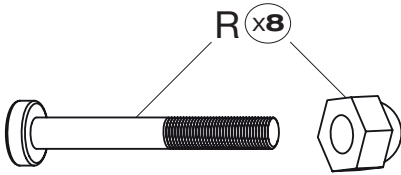
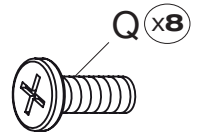
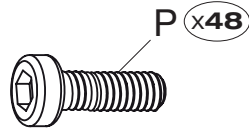
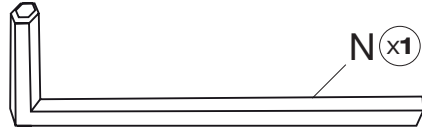


STEPLADDER

HARDWARE KIT

NOTE:

Parts not shown to actual size and not to scale.

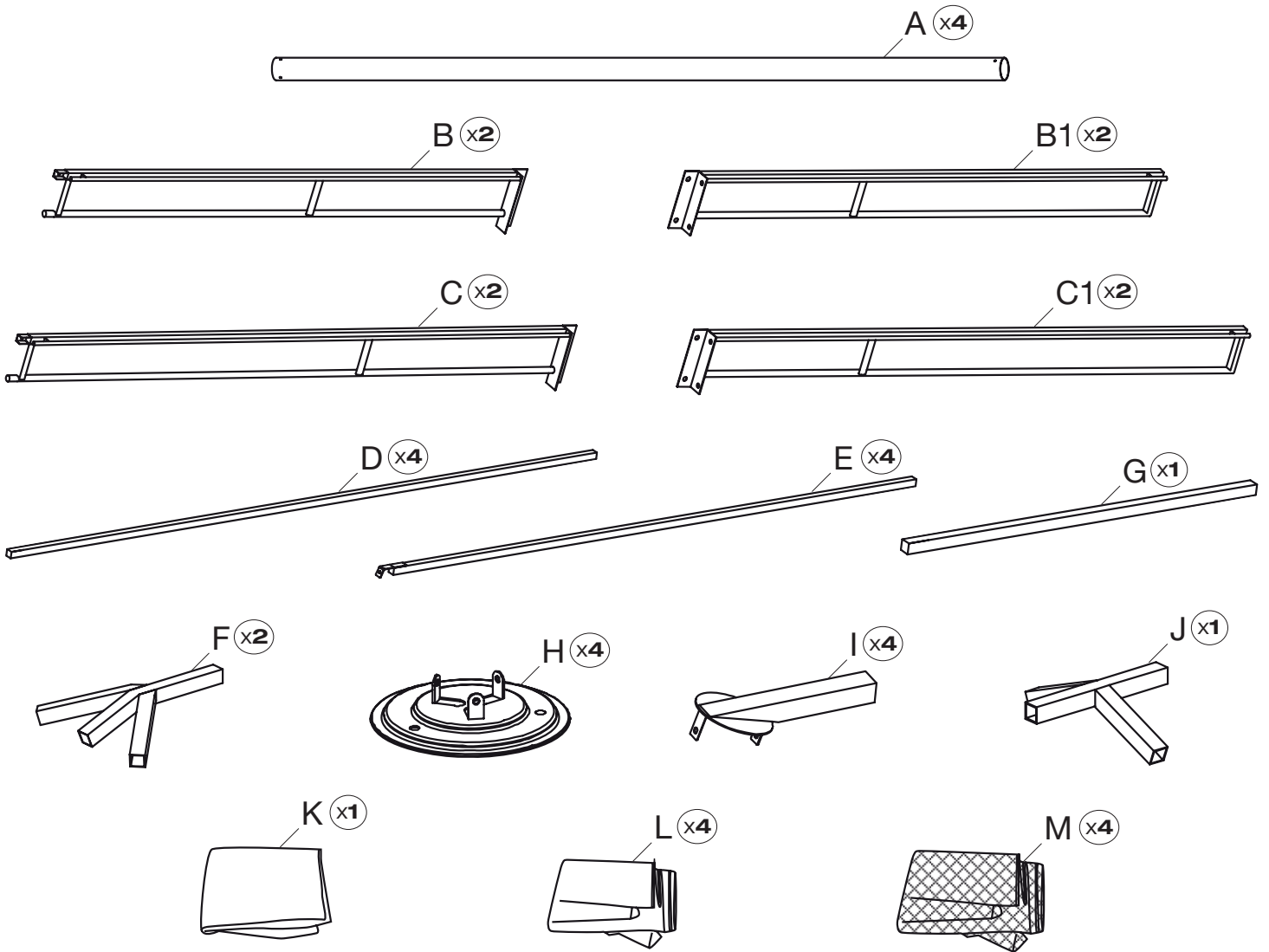


Item	Description	Qty
N	Allen Key	1
O	Camp Nail	12
P	Screw M6x16	48
Q	Screw M5x10	8
R	Screw & Nut	8
S	Hooks	104
T	Wrench	1

PARTS LIST

NOTE:

Parts not shown to actual size and not to scale.



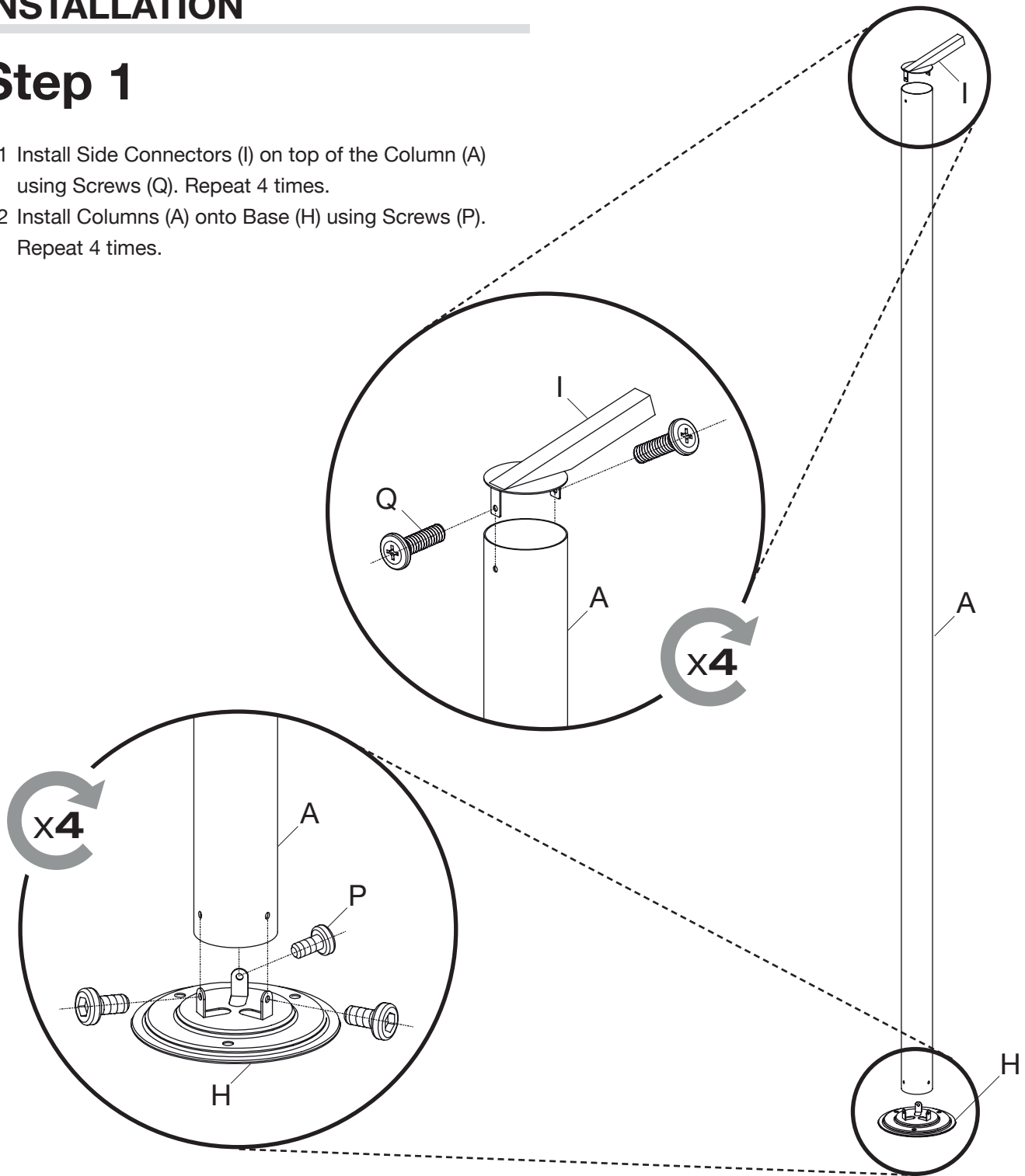
Item	Description	Qty
A	Column	4
B	Short Track	2
B1	Short Track	2
C	Long Track	2
C1	Long Track	2
D	Roof Bar	4
E	Roof Bar With Angled End	4
F	Roof Connector	2

Item	Description	Qty
G	Central Roof Bar	1
H	Base	4
I	Side Connector	4
J	Central Roof Connector	1
K	Canopy	1
L	Curtains	4
M	Mosquito Netting	4

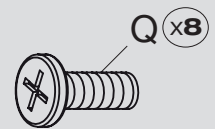
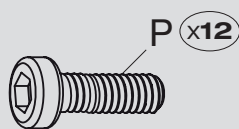
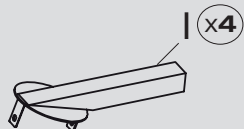
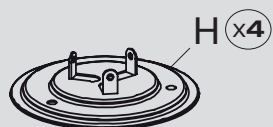
INSTALLATION

Step 1

- 1.1 Install Side Connectors (I) on top of the Column (A) using Screws (Q). Repeat 4 times.
- 1.2 Install Columns (A) onto Base (H) using Screws (P). Repeat 4 times.



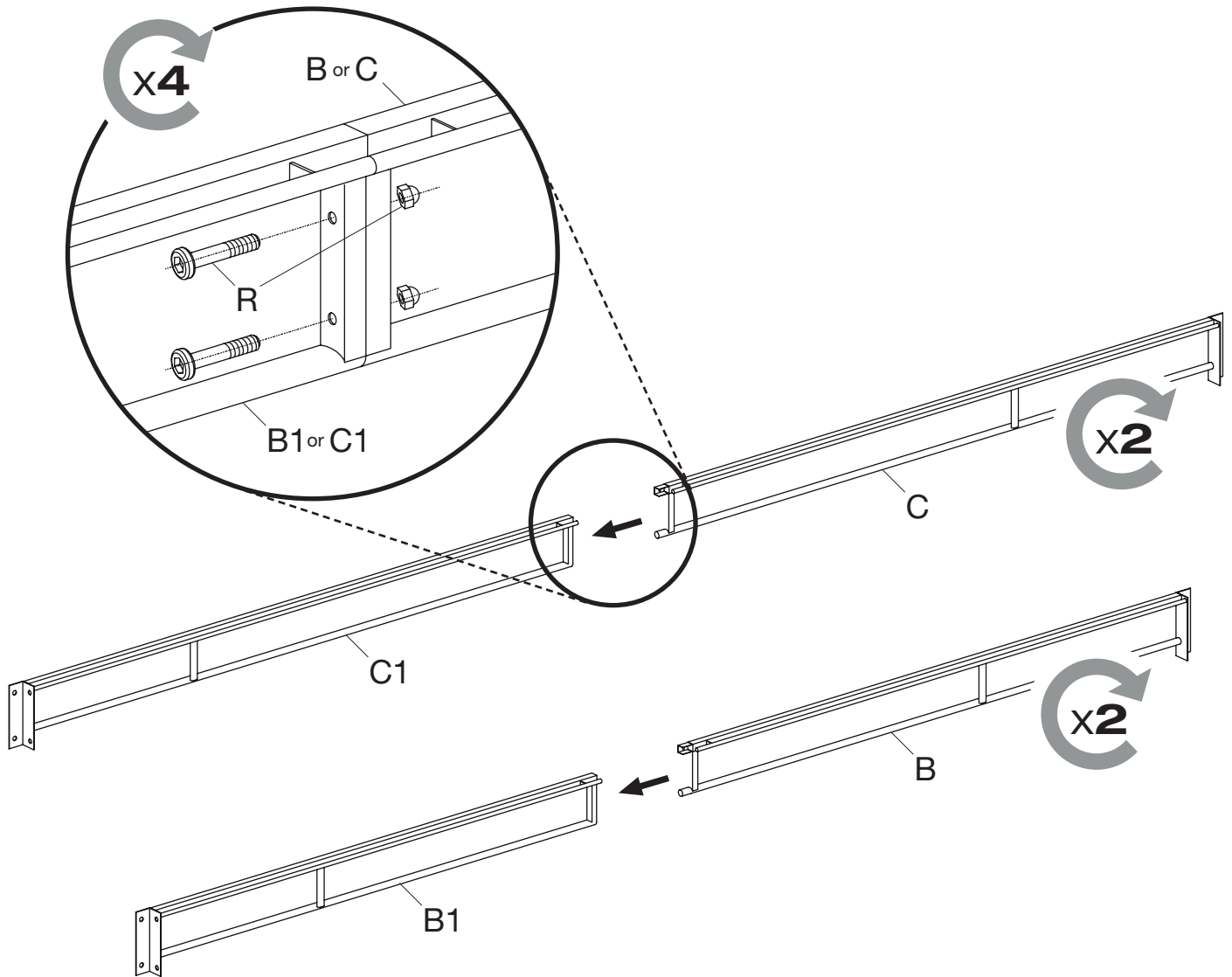
Parts required for this step:



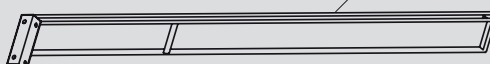
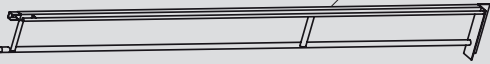
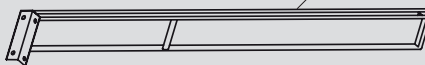
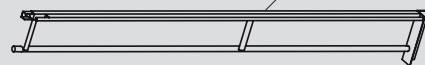
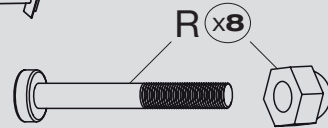
Step 2

2.1 Attach Short Track (B) to Short Track (B1) using Screws and Nuts (R). Repeat 2 times.

2.2 Repeat step 2.1 using Long Tracks (C) and Long Track (C1).



Parts required for this step:

 C1 x2	 C x2
 B1 x2	 B x2
 R x8	

INSTALLATION

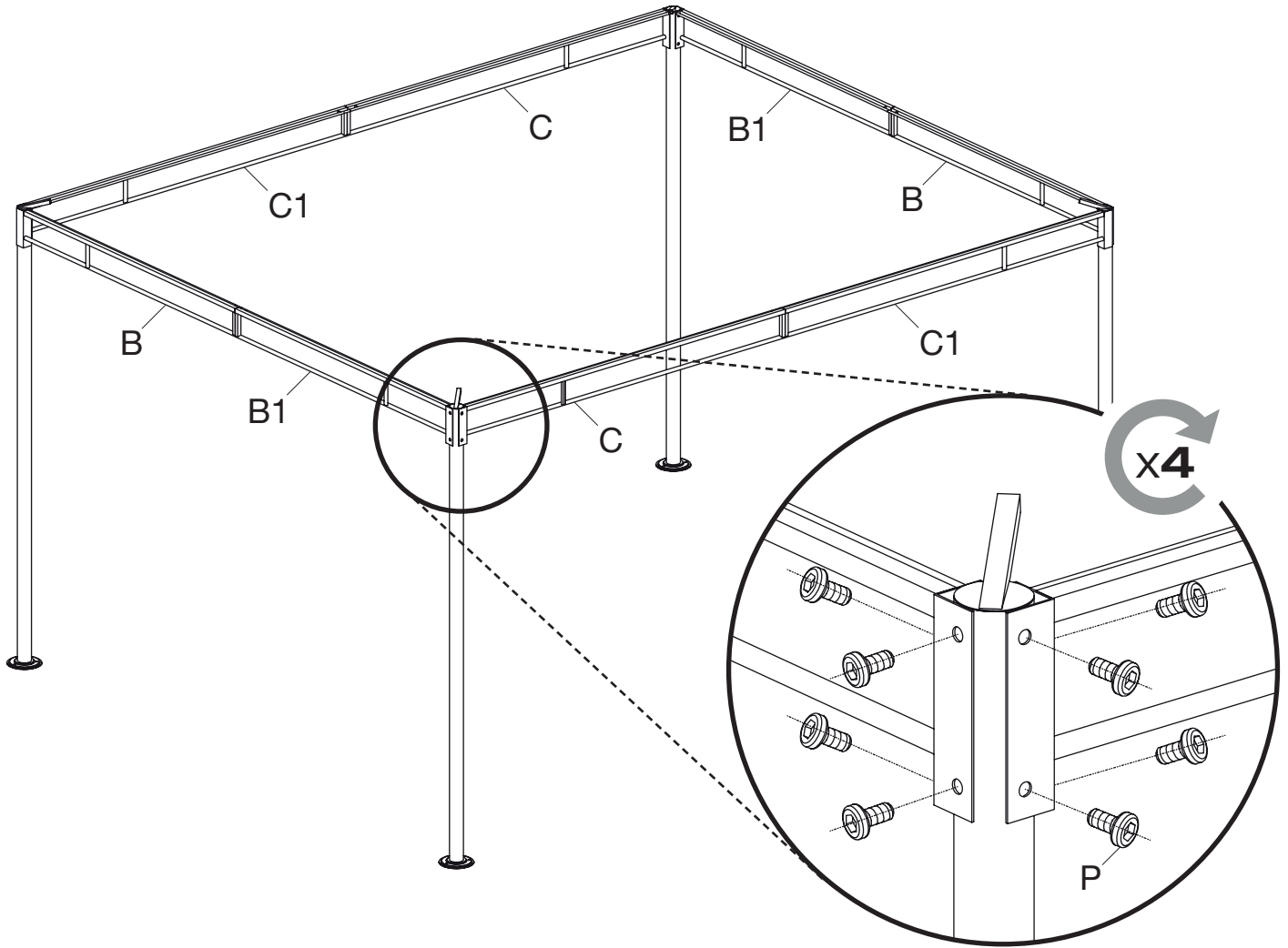
NOTE:

It is imperative that the Side Connectors (I) are angled towards the center of the sun shelter.

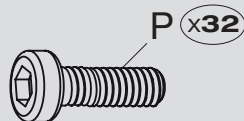
Step 3

3.1 Install the tracks to the columns using Screws (P).

Alternate between Track (B & B1) and Track (C & C1) until structure is completed.



Parts required for this step:



INSTALLATION

CAUTION:

You must anchor the sun shelter before installing the roof.

IMPORTANT:

Unit must be anchored on a hard surface for the warranty to be valid.

Step 4

4.1 Anchor the sun shelter before installing the roof as follow:

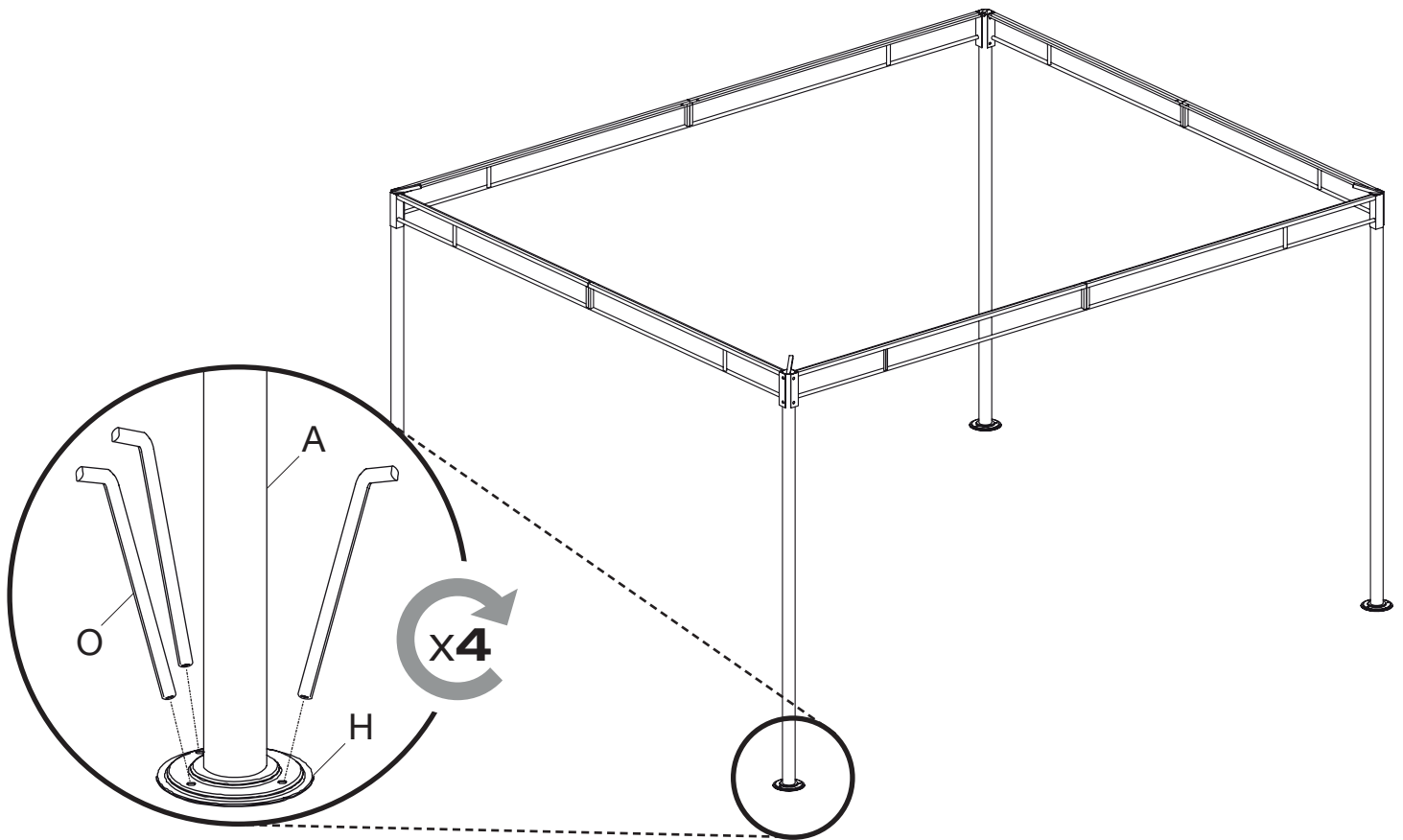
Grass surface: Use included Camp Nails (O) to anchor Base (H) previously installed on your Column (A).

Camp Nails (O) cannot be used for permanent anchoring, as unit must be anchored on a hard surface for the warranty to be valid.

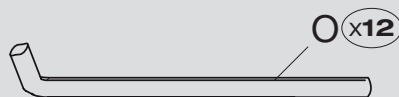
Wood deck: Use wood screws (not included) to anchor Base (H) previously installed on your Column (A).

Concrete patio: Use Tapcon screws (not included) to anchor Base (H) previously installed on your Column (A).

4.2 Repeat for all remaining Columns (A).

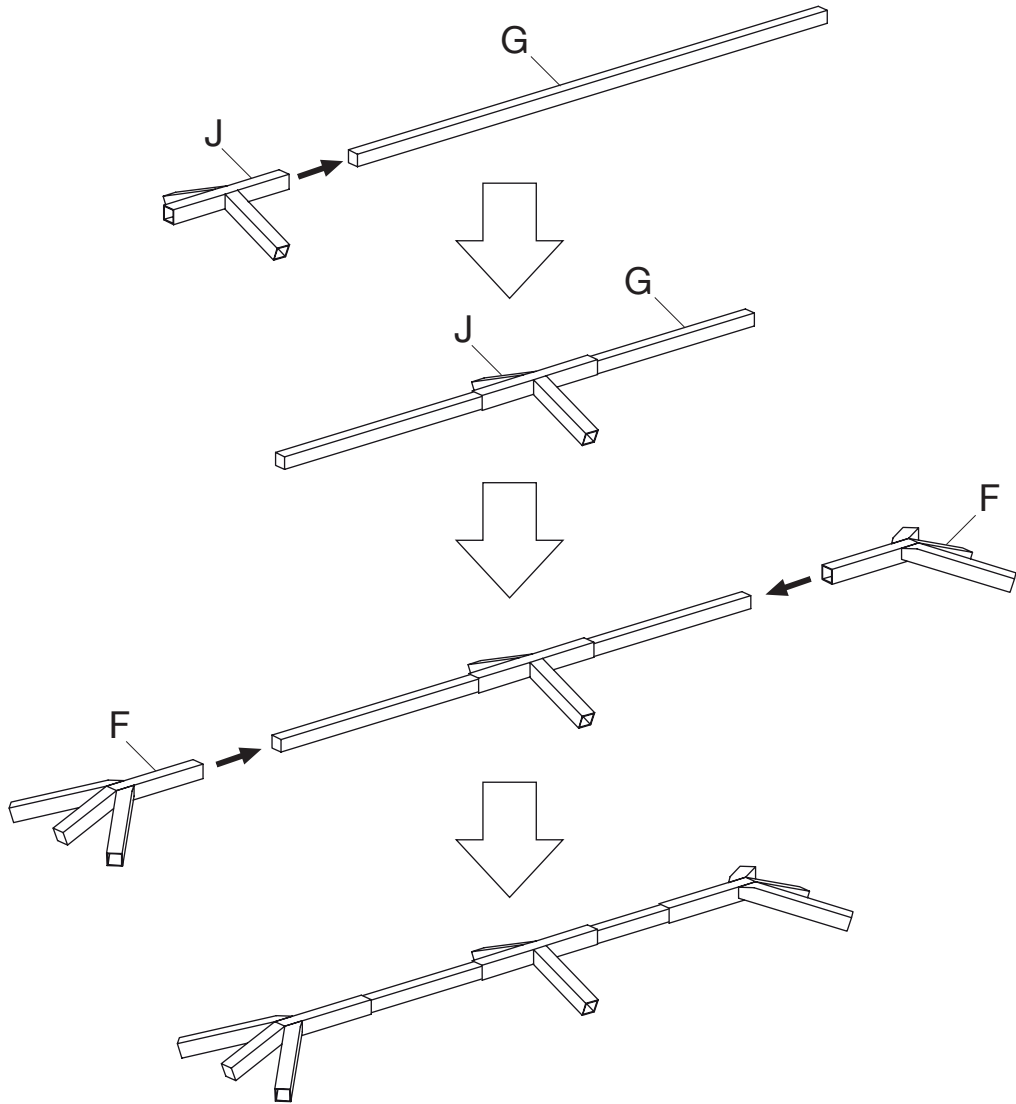


Parts required for this step:

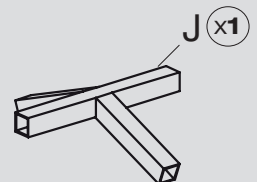
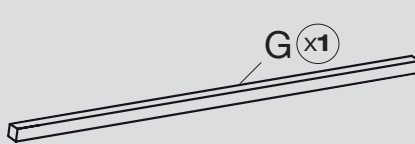
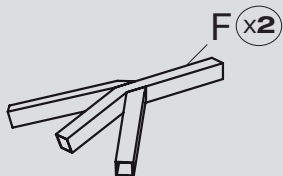


Step 5

- 5.1 Slide Central Roof Connector (J) onto the middle of the Central Roof Bar (G).
- 5.2 Insert Roof Connectors (F) on each end of the Central Roof Bar (G).



Parts required for this step:

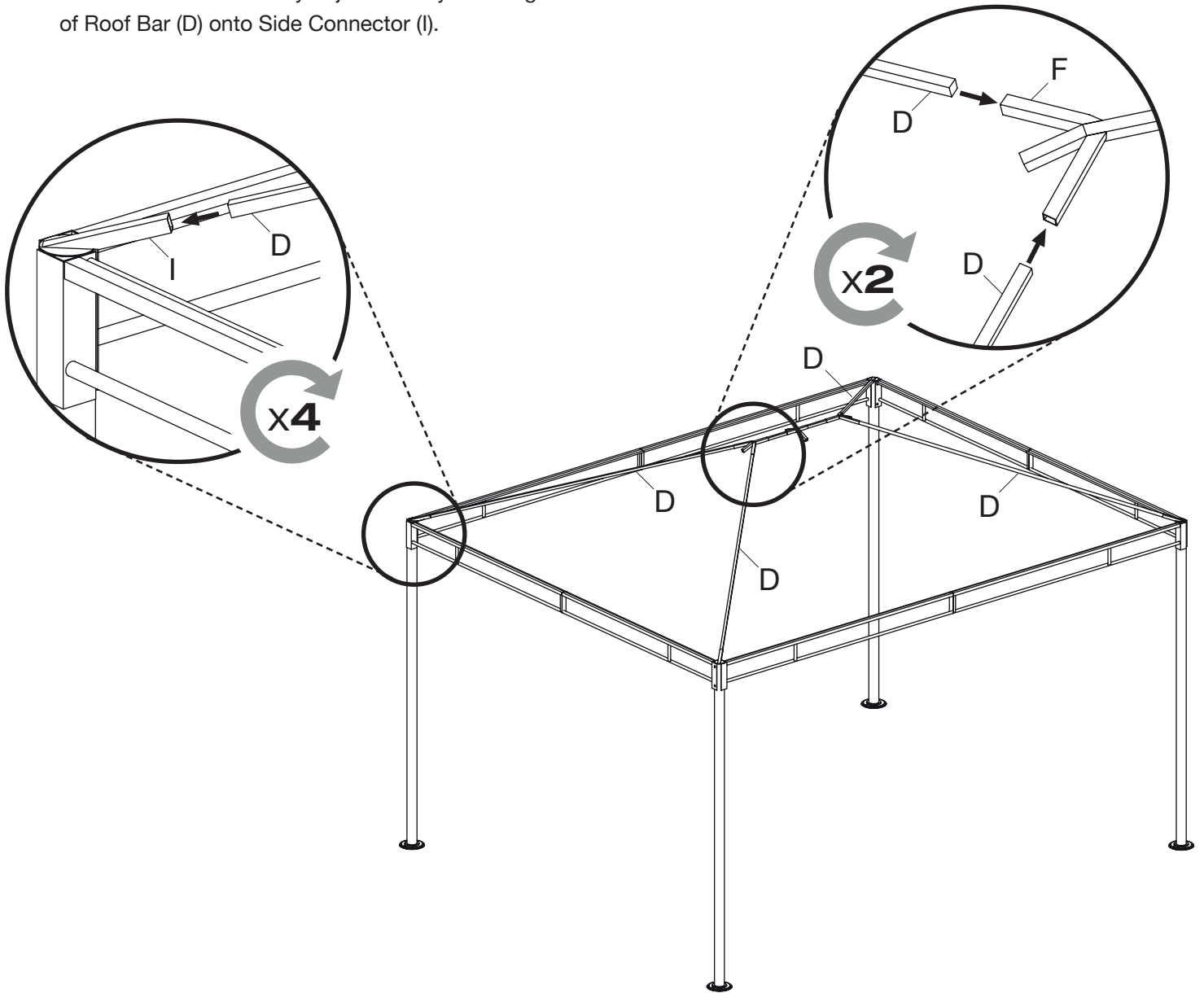


Step 6

6.1 Insert one end of Roof Bar (D) into the angled bar of Roof Connector (F).

Repeat 4 times.

6.2 Install the roof structure you just built by inserting the end of Roof Bar (D) onto Side Connector (I).

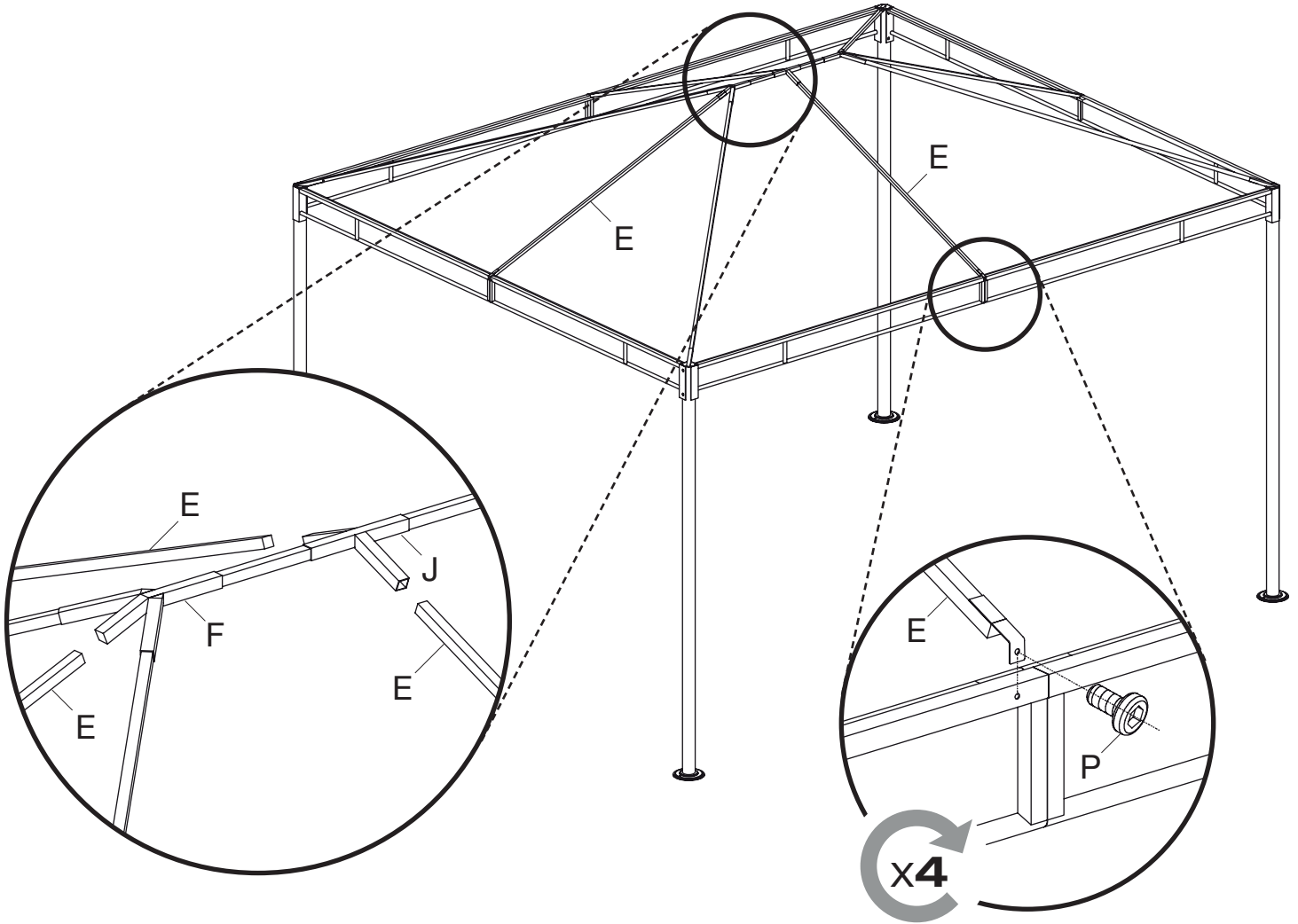


Parts required for this step:

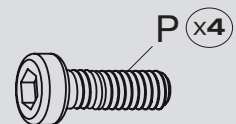


Step 7

- 7.1 Insert the Roof Bar (E) to Roof Connector (F). Repeat 2 times.
- 7.2 Insert the Roof Bar (E) to Roof Connector (J). Repeat 2 times.
- 7.3 Align the pre-drilled hole in Roof Bars (E) with the pre-drilled hole in the Roof Tracks (B & C), ensuring that the angled ends are facing downward. Secure with Screws (P). Repeat 4 times.

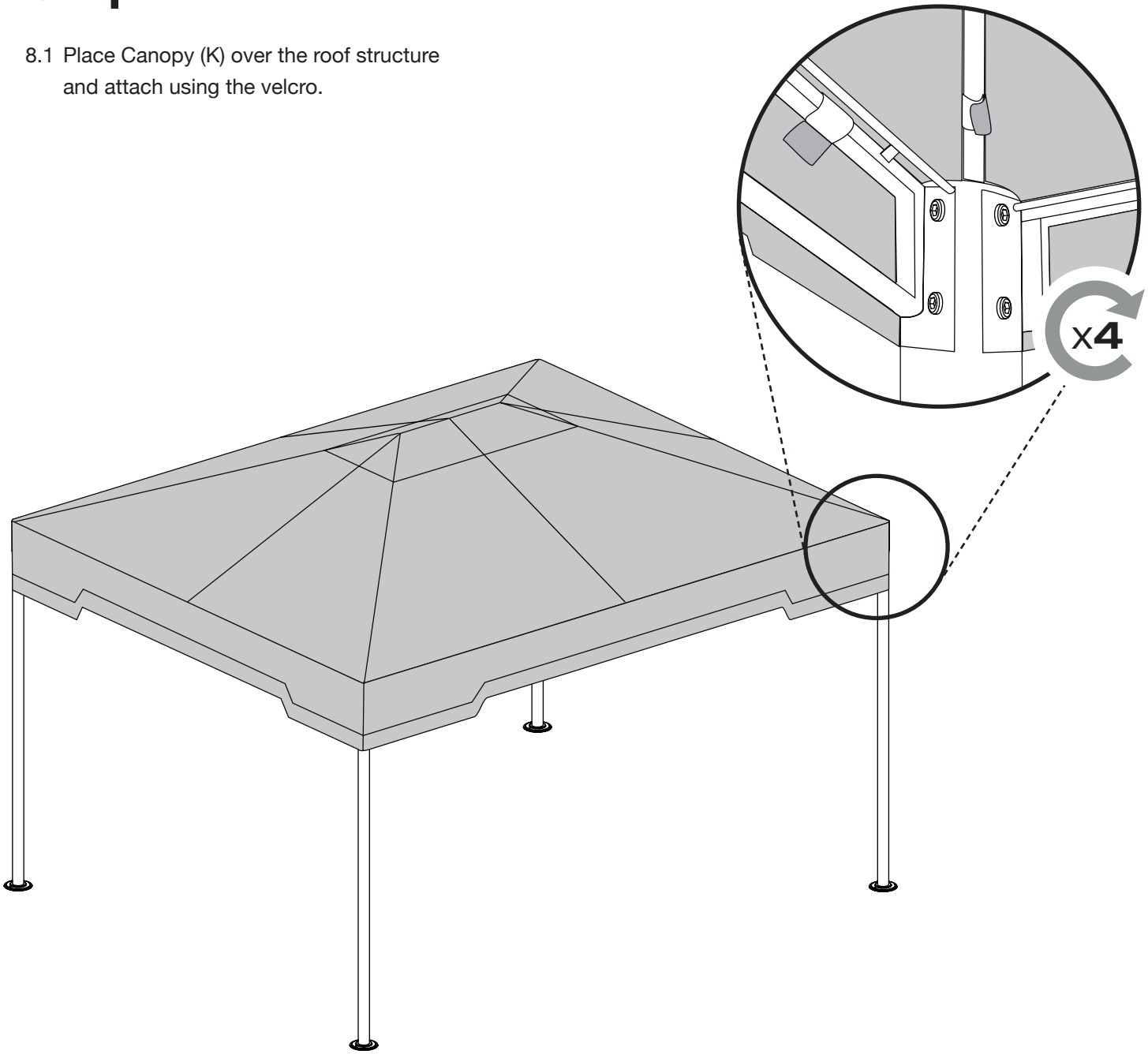


Parts required for this step:

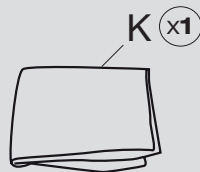


Step 8

8.1 Place Canopy (K) over the roof structure and attach using the velcro.



Parts required for this step:



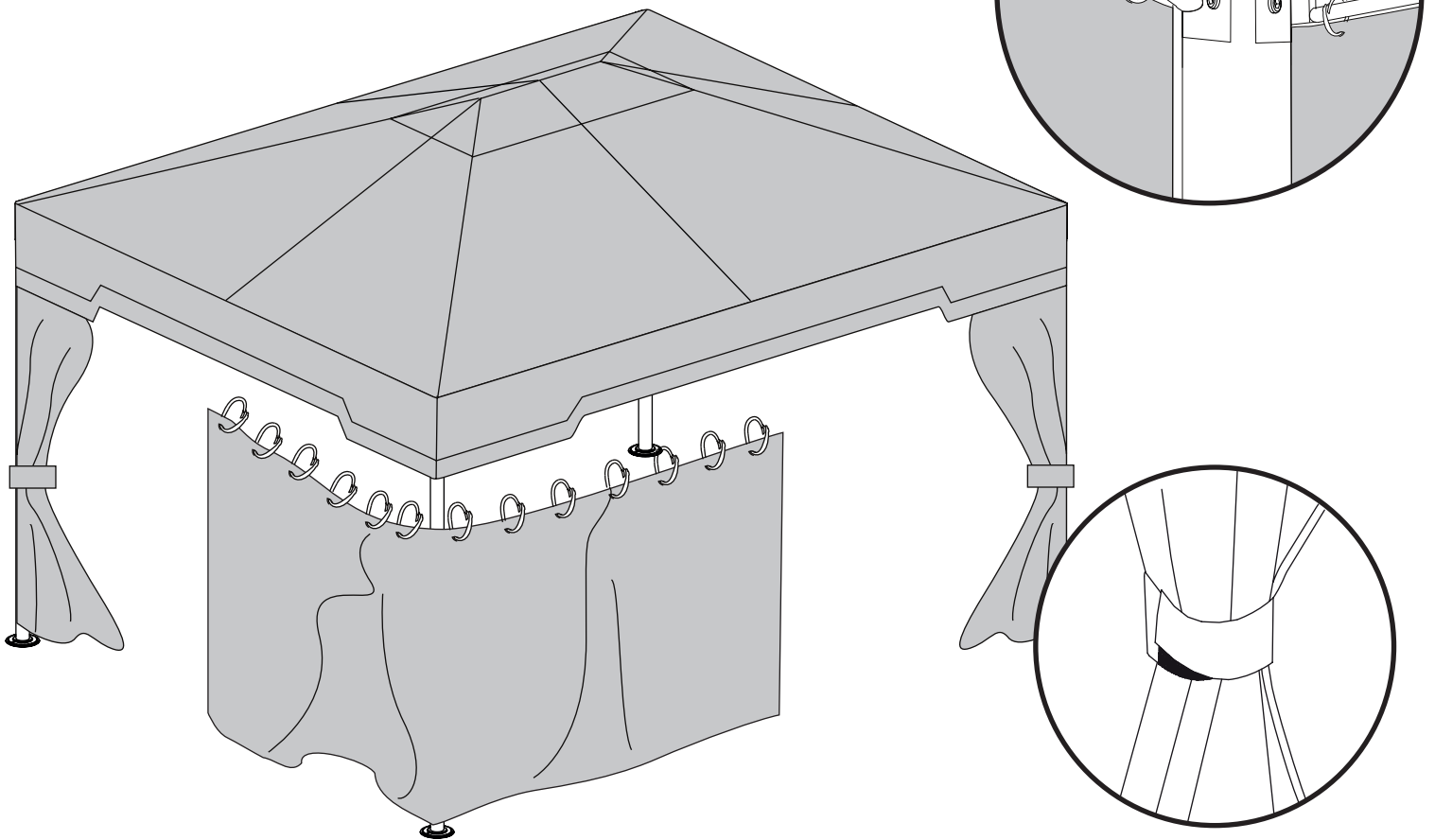
INSTALLATION

NOTE:

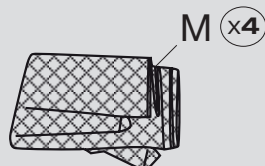
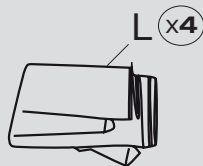
Each 10ft side will have a total of 24 hooks between the mosquito netting and the curtains and the 12ft side will have a total of 28 hooks between the mosquito netting and the curtains.

Step 9

- 9.1 Install Hooks (S) along the eyelets of the Curtains (L) and Mosquito Netting (M).
- 9.2 Install Curtains (L) from the inside of the sun shelter along lower tracks of Tracks (B, B1, C & C1).
- 9.3 Install Mosquito Netting (M) from the inside of the sun shelter along upper tracks of Tracks (B, B1, C & C1).



Parts required for this step:





Please refer to part numbers when reordering

For questions or comments about product:

Email: service@hengyatrade.com or Call toll-free: 1-855-379-7070

Made in / Hech en CHINA for Kmart Corporation, Hoffman Estates, IL 60179

See our extensive assortment of outdoor living products
on-line at www.sears.com and www.kmart.com