



OWNER'S MANUAL

Steel Wagon

- ASSEMBLY
- OPERATING
- ADJUSTMENTS
- MAINTENANCE
- WARRANTY

In the interest of safety, make certain that you read and understand all information and instructions included with and pertaining to this product.



ASSEMBLY INSTRUCTIONS

1. Do not destroy the packing and carton until the unit is completely assembled.
2. Lay out unassembled parts; familiarize yourself with the drawings and read the assembly instruction thoroughly.
3. Do not destroy this manual; use it for ordering replacement parts.
4. **THIS PRODUCT MUST BE ASSEMBLED ONLY BY AN ADULT PRIOR TO USE.**
5. Tools required for assembly: Hammer, Flatblade Screwdriver, 6" Adjustable Wrench, Pliers.

GENERAL MAINTENANCE SCHEDULE

Your model will require regular maintenance to maintain the original brilliant painted and chrome finish. Keep the unit clean and dry. Wipe off dirt, moisture, and oil with a clean soft cloth. Periodically, polish with a clear coat of wax. Due to wear of new parts, we recommend that you inspect the unit after three or four weeks for adjustments, etc. Adjust or tighten nuts or screws.

The frequency of maintenance would depend on how much and how hard the unit is used. Any component that does not function properly should be checked and corrected immediately.

Lubricate any moving metal part that comes in contact with other metal part with a lightweight, all-purpose oil. **DO NOT oil plastic parts.**

WARNING: The rider should be instructed as to where not to use this product. Children should never be allowed to ride a wheeled toy on sloped drive ways, in roadways and alleys, on hills, or near steps. Never allow a child to ride a wheeled toy without shoes on.

STEP 1

Figure A

NOTICE: Hold part (4) in front of you. Look at the brace that is riveted onto the center of the axle. **THIS IS VERY IMPORTANT!** If the brace is under the axle as shown, you **MUST** swing it around (see the arrow), so it remains on the top side of the axle throughout the assembly procedure.

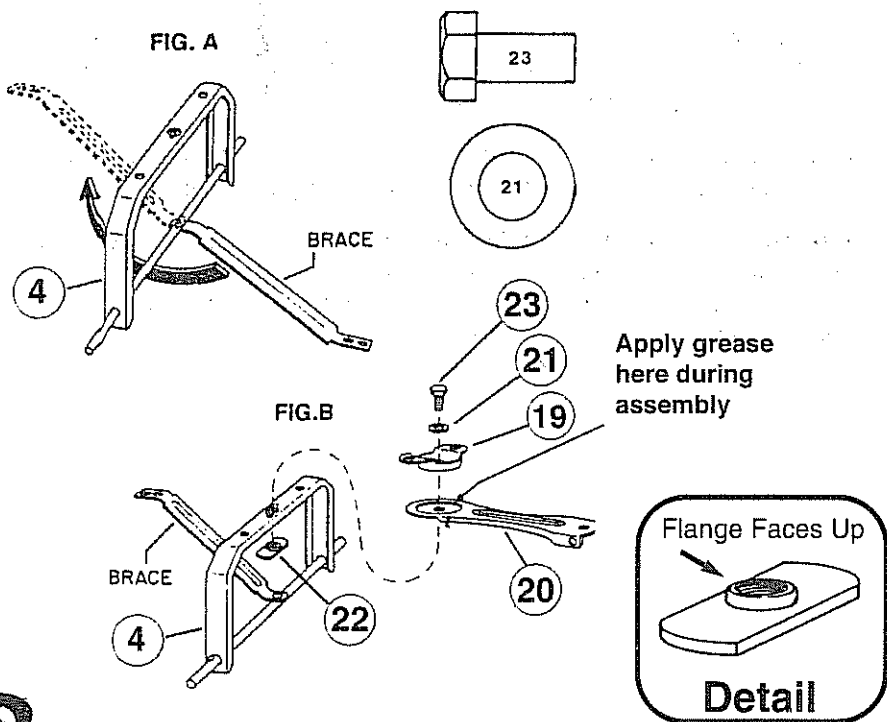
Figure B

1. Put washer (21) onto bolt (23). Grease part (20) as shown. Then, set part (19) onto part (20), then insert bolt (23) down through the holes in both parts (19 & 20).

2. Holding the assembly together, insert bolt (23) down through the center hole in part (4).

NOTICE: At this point, make sure part (20) extends in one direction while the brace extends in the opposite direction. The brace should still remain on the top side of the axle as shown.

3. **NOTE:** The flange on T-nut (22) **MUST** face up (see detail). Securely fasten bolt (23) using a T-nut (22). After starting bolt (23), hold the T-nut (22) against part (4) while tightening the bolt (23). **DO NOT OVER-TIGHTEN** the T-nut (22). Part (20) **MUST** be able to turn freely from side to side.

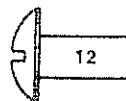
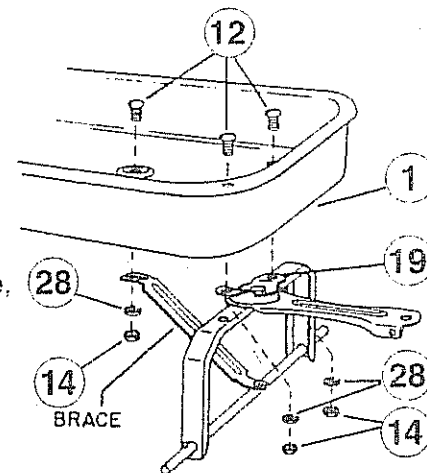


STEP 2

1. Securely fasten part (19) onto the under side of the body (1) using two bolts (12), lockwashers (28), and nuts (14).

2. **NOTE:** Swing the brace around (if necessary), so it is on the top side of the axle. **DO NOT TRY TO REBEND THE BRACE.** It will rotate on the axle, then it will fit in the proper position.

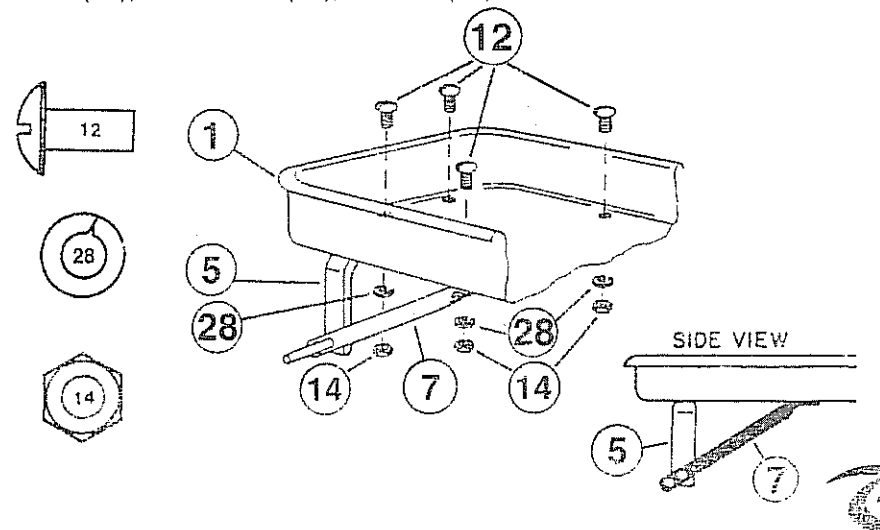
3. Securely fasten the brace using a bolt (12), lockwasher (28), and nut (14).



STEP 3

1. Securely fasten part (5) onto the under side of the body (1) using two bolts (12), lockwashers (13), and nuts (14).

2. Slide a brace (7) onto one end of the axle. **NOTE:** If you have a large wagon, use hole nearest the end of brace (7) on the axle. On smaller wagons, use the upper hole. Securely fasten each brace (7) onto body (1) using a bolt (12), lockwasher (28), and nut (14).



STEP 4

Figure A

1. Put one end of part (4) onto end of front axle. Pull on other end of part (4) until it goes onto the other end of the axle.

2. Raise part (4) up so the holes align with those in part (20), then hold it in place as shown in the illustration.

Figure B

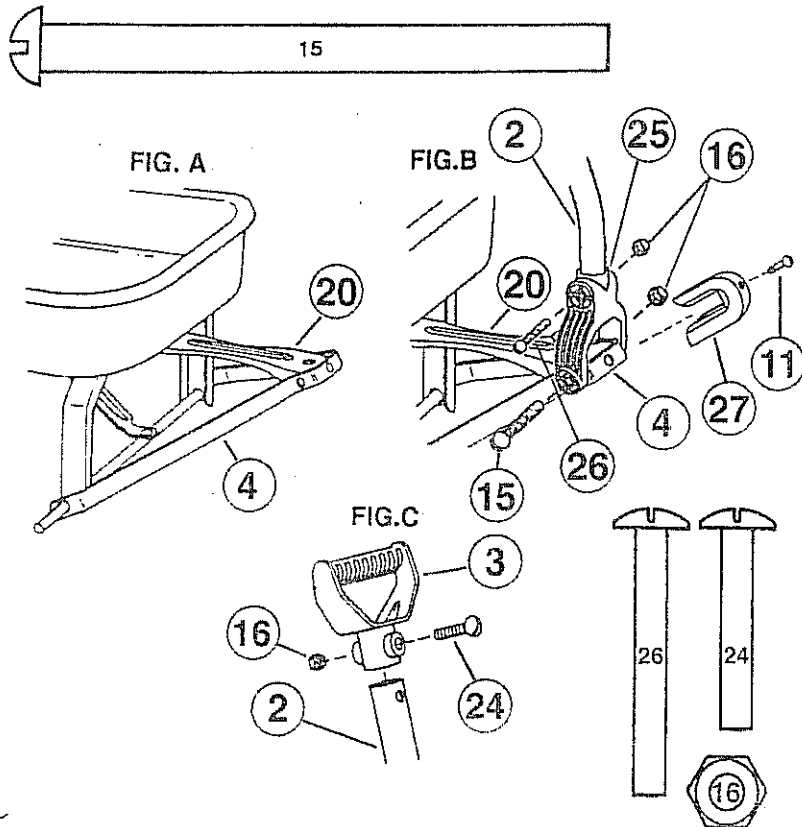
3. Attach part (2) to part (25) by aligning holes. Fasten with bolt (26) and nut (16). **NOTE:** Part (2) should bend toward the rear of the wagon as shown.

4. Securely fasten steering arm assembly to parts (4) and (20) using a long bolt (15) and a nut (16).

5. Attach pinch cap (27) to parts (4) and (20), using the self-tapping screw (11).

Figure C

5. Push part (3) down onto part (2) and align the holes. Securely fasten part (3) using a bolt (24) and a nut (16).



STEP 5

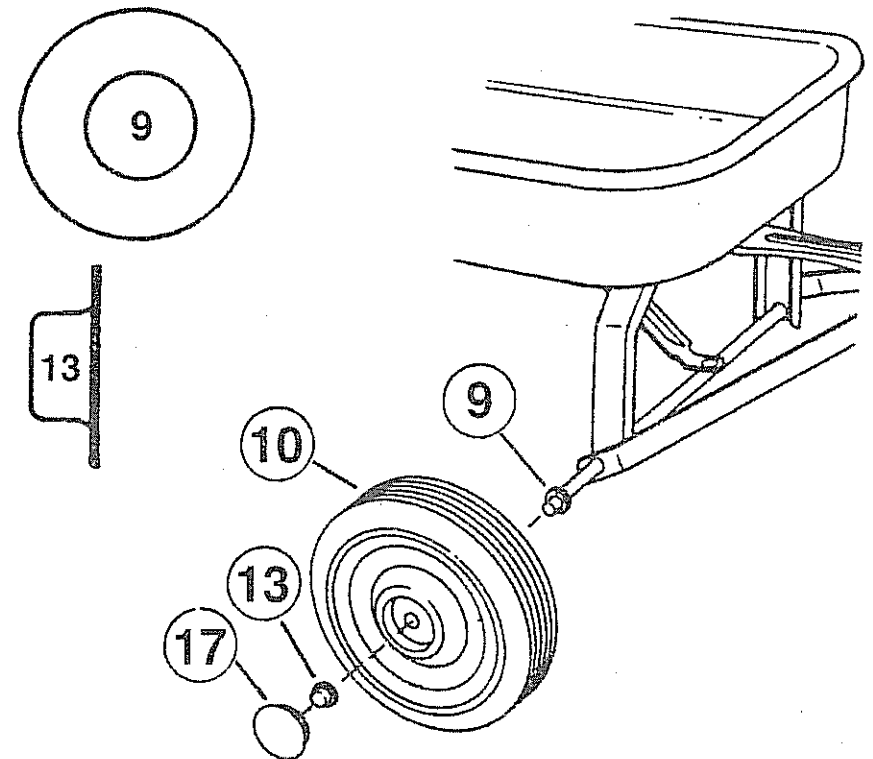
NOTE: Your model may use metal washers and not plastic spacers on the axles.

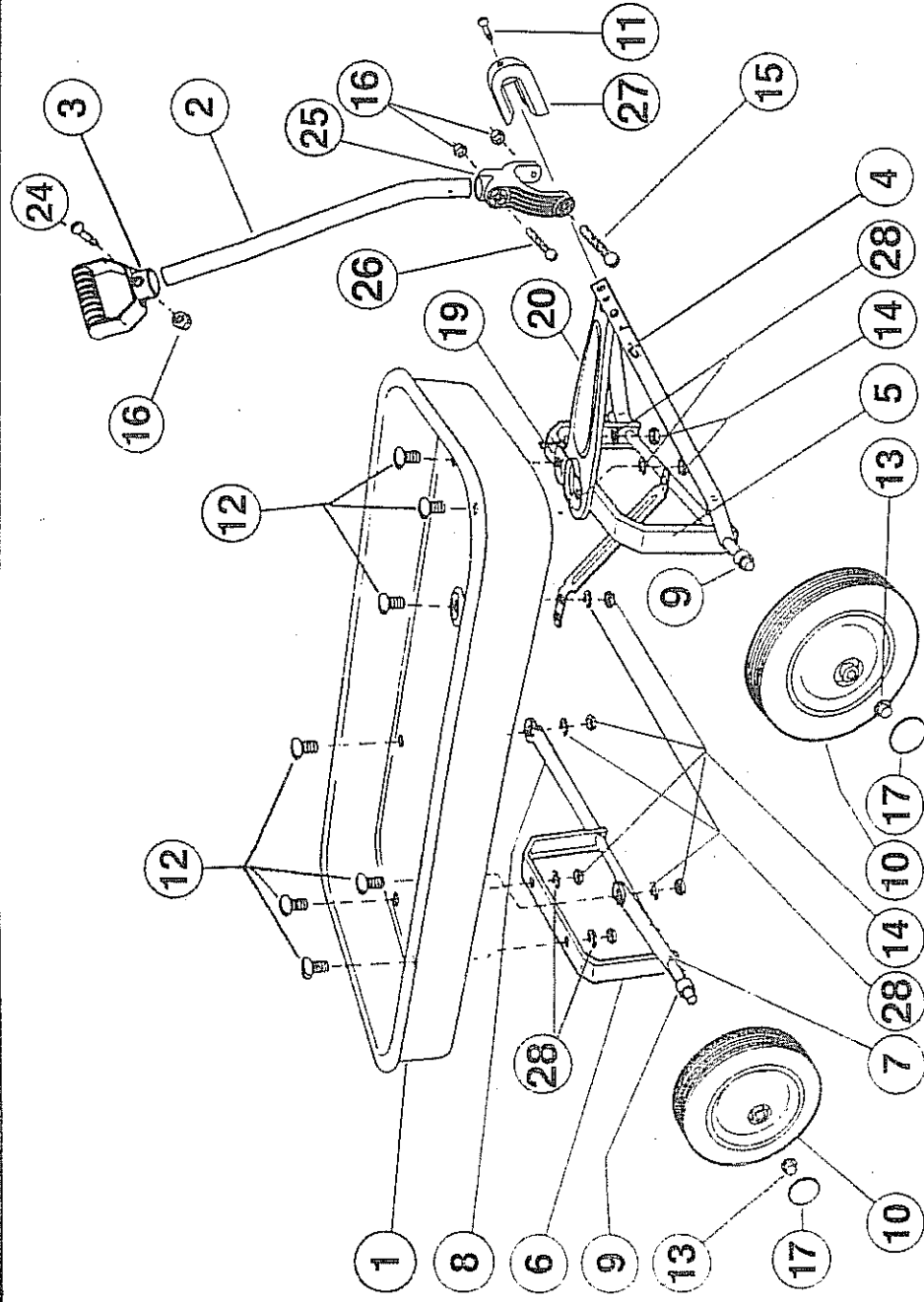
1. Slip a plastic spacer (9) or a metal washer onto one end of either axle.

2. Slip a wheel (10) onto the axle (smooth side out). Securely fasten the wheel (10) by tapping fastener (13) onto the end of the axle as far as possible.

3. Push a hub cap (17) onto wheel (10). If hub cap is too loose to stay in the wheel, gently tap all around the inside of the hub cap with a hammer, then it should fit snugly.

4. Repeat parts 1 - 3 above for the other wheels.





Roadmaster
SINCE 1935

Steel Wagon Parts List

Key No.	Part Name	No. Req'd.	No.
1.	Body	1	4
2.	Handle Assembly	1	4
3.	Wagon Handle	1	1
4.	Steering Arm Brace	1	1
5.	Front U-frame Assembly	1	1
6.	Rear U-frame Assembly	1	1
7.	Rear Axle Brace - R	1	1
8.	Rear Axle Brace - L	1	1
9.	Spacer	4	1
10.	Wheel	4	1
11.	Self-tapping Screw	1	7
12.	Truss Head Bolt 1/4-20 x 1/2"	7	1
13.	Pushnut Fastener	4	1
14.	Hex Nut 1/4-20	7	1
15.	Round Head Bolt 1/4-20 x 3/4"	1	7
16.	Hex Nut 10-32	1	4
17.	Wheel Center	1	4
18.	*Hardware Bag	1	1
19.	Fifth Wheel	1	1
20.	Steering Arm	1	1
21.	*Flatwasher 3/4 x 25/64 x 18ga.	1	1
22.	*Tee Nut 3/8-24	1	1
23.	*Hex Head Bolt 3/8-24 x 5/8"	1	1
24.	Truss Head Machine Screw	1	1
25.	Steering Knuckle	1	1
26.	Knuckle Screw	1	1
27.	Pinch Cap	1	1
28.	Split Washer	7	7

*Not shown on illustration



LIMITED WARRANTY AND POLICY ON REPLACEMENT PROCEDURES AND RESPONSIBILITIES

Your purchase includes the following warranty which is in lieu of all other express warranties. This warranty is extended only to the initial consumer purchaser. No warranty registration is required. This warranty gives you specific legal rights and you may have other rights which vary from state to state.

The entire wagon frame is guaranteed against faulty materials and workmanship for as long as the initial consumer purchaser has the wagon, subject to the condition of the warranty listed below. If wagon frame failure should occur due to faulty materials or workmanship during the guarantee period, the wagon frame will be replaced. For frame replacement under this Pacific Limited Warranty, contact us, stating the nature of the failure, model number, date received and the name of the store from which the wagon was received, at the address given on this page. Wagon frames must be returned for inspection at customer's expense.

All other parts of the unit except Normal Wear Parts are warranted against defective materials and workmanship for a period of 1 year from the date of purchase by the initial consumer purchaser, subject to the Terms and Conditions of the warranty listed below. If failure of any part should occur during the warranty period, the part will be replaced for you if the failure was due to faulty materials or workmanship. All warranty claims must be submitted to the address below and must be shipped prepaid and accompanied by proof of purchase.

Any other warranty claims not included in this statement are void. This especially includes installation, assembly, and disassembly costs. This warranty does not cover paint damage, rust, or any modifications made to the wagon. Normal Wear Parts are defined as grips, tires, tubes, and cables. These parts are warranted to be free from defects in material and workmanship as delivered with the product. Any claim for repair or replacement of Normal Wear Parts (grips, tubes, tires, cables, brake shoes, and saddle covering) and missing parts must be made within thirty (30) days of the date of purchase. The warranty does not cover normal wear and tear, improper assembly or maintenance, or installation of parts or accessories not originally intended or compatible with the bicycle as sold. The warranty does not apply to damage or failure due to accident, abuse, misuse, neglect, or theft. Claims involving these issues will not be honored.

Your wagon has been designed for general transportation and recreational use, but has not been designed to withstand abuse associated with stunting and jumping. This warranty ceases when you rent, sell, or give away the wagon, ride with more than one person, or use the wagon for stunting or jumping.

This warranty does not cover ordinary wear and tear or anything you break accidentally or deliberately.

It is the responsibility of the individual consumer purchaser to assure that all parts included in the factory-sealed carton are properly installed, all functional parts are initially adjusted properly, and subsequent normal maintenance services and adjustments necessary to keep the wagon in good operating condition are properly made. This warranty does not apply to damage due to improper installation of parts or failure to properly maintain or adjust the wagon.

NOTICE: Specifications subject to change without notice.

PACIFIC CYCLE INC
4730 East Radio Tower Lane/PO Box 344
Olney, IL 62450
Call Toll Free 1-800-626-2811
Monday -Friday 8:00 a.m. to 5:00 p.m. Central Time
Customerservice@pacific-cycle.com