

# RH22H9010SR

36" Wide, 22 cu. ft. Counter Depth Side-by-Side Refrigerator with Food ShowCase Fridge Door

## Features

- 22 cu. ft. Capacity in Counter Depth Category
- Food ShowCase Fridge Door
- Metal Cooling
- High-Efficiency LED Lighting
- External Filtered Water and Ice Dispenser
- Automatic In-Door Ice Maker
- Ice Case in the Freezer
- Fingerprint Resistant Coating
- ENERGY STAR® Compliant
- Power Freeze and Power Cool Options
- Tempered Glass Spill-Proof Shelves
- Stainless Look Display
- 3 Crisper Drawers
- Gallon Door Bins

## Convenience

- Cool Tight Door
- Dispenser Light
- Door Alarm
- Water Filter Indicator
- Child Lock



Food ShowCase Fridge Door



Metal Cooling



**ENERGY STAR® Rated:**  
CEE Tier 2: More Efficient  
(25% more efficient than Federal Standard)  
635 kWh/yr

## Available Color



Stainless Steel

## Signature Features

### FOOD SHOWCASE FRIDGE DOOR

- Door-in-door storage gives you easy reach of key items that are most often used, all visible in one glance.

### METAL COOLING

- Locks in cold, seals in freshness.
- Stainless steel paneling helps maintain consistent temperature throughout the refrigerator.

### COUNTER DEPTH

- More capacity, smaller floor space.
- Our 22 cu. ft. capacity Side-by-Side has enough room to fit up to 22 bags of groceries.\*
- Stylish counter-depth design allows for more workable space in the kitchen.

\*Grocery comparison based on each cubic foot of usable space equaling one paper bag.



Ranked **"Highest in Customer Satisfaction with Refrigerators"**  
by J.D. Power and Associates.

**SAMSUNG**

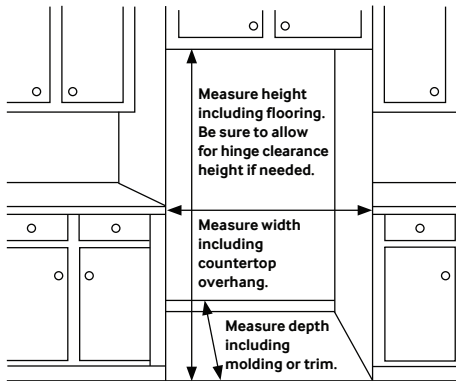
# RH22H9010SR

36" Wide, 22 cu. ft. Counter Depth Side-by-Side Refrigerator with Food ShowCase Fridge Door

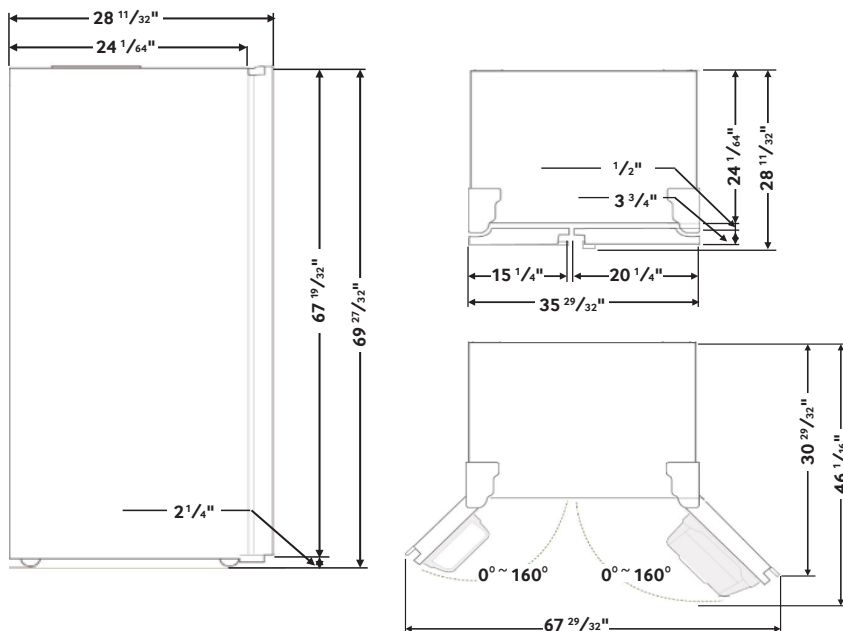
## Installing Your Refrigerator

1. Measure the height, width and depth of the opening, making sure to include baseboards, molding tile, countertop overhang, etc. Check to be sure there is enough room to open the door (consider walls, islands or other obstacles when measuring).
2. Refer to illustration below to determine dimensions.
3. Allow 2" of clearance on hinge side of refrigerator when installing next to a wall where handle may make contact.
4. Allow 1" minimum clearance at rear for proper air circulation and water/electrical connections. Allow a 3/8" minimum clearance at sides and top for ease of installation.
5. Ensure each door and entry way in the home is wide enough for the refrigerator to be moved through easily.

Please note: The following dimension and cutout information is for planning purposes only. For complete installation details consult manual packed with product, or download manual on-line at [samsung.com](http://samsung.com).



## Dimensions



## Total Capacity: 21.5 cu. ft.

### Refrigerator: 14.3 cu. ft.

- Food ShowCase Fridge Door
  - 2 Slide-out Door Bins
  - 1 Tilting Door Bin
  - 3 Fixed Door Bins
- 3 Tempered Glass Shelves
- 1 Foldable Half Shelf
- 6 Door Bins
- LED Lighting

### Freezer: 7.2 cu. ft.

- 4 Tempered Glass Shelves
- 3 Clear Door Bins
- 2 Clear Drawers
- Automatic In-Door Ice Maker
- LED Lighting

## Accessories

HAF-CIN/EXP Water Filter

## Warranty

One (1) Year Parts and Labor on Refrigerator

Five (5) Years Parts and Labor on Sealed Refrigeration System Only\*

Ten (10) Years Parts and Five (5) Years Labor on Digital Inverter Compressor

\*Compressor, evaporator, condenser, drier, connecting tubing

## Product Dimensions & Weight

Dimensions (WxHxD with hinges, handles and doors):  
35 29/32" x 69 27/32" x 28 11/32"

Dimensions (WxHxD without hinges and door):  
35 29/32" x 68 21/32" x 24 1/64"

Dimensions (WxHxD with hinge and door, no handle):  
35 29/32" x 69 27/32" x 28 11/32"

Weight: 354.9 lbs.

## Shipping Dimensions & Weight (WxHxD)

Dimensions: 38 17/64" x 75 5/32" x 39 11/64"

Weight: 383.6 lbs.

Color	Model #	UPC Code
Stainless Steel	RH22H9010SR	887276956015

**SAMSUNG**

Samsung received the highest numerical score for refrigerators in the proprietary J.D. Power and Associates 2012 Kitchen Appliance Study.<sup>SM</sup> Study based on 12,615 total responses measuring 17 brands and measures opinions of consumers about their refrigerator obtained new in the past 24 months. Proprietary study results are based on experiences and perceptions of consumers surveyed in January-February 2012. Your experiences may vary. Visit [jdpower.com](http://jdpower.com).

Actual color may vary. Design, specifications, and color availability are subject to change without notice. Non-metric weights and measurements are approximate.

©2014 Samsung Electronics America, Inc. 85 Challenger Road, Ridgefield Park, NJ 07660. Tel: 800-SAMSUNG. [samsung.com](http://samsung.com). Samsung is a registered trademark of Samsung Electronics Co. Ltd.