

LOTOS TECHNOLOGY

Plasma Cutter TIG Stick Welder **CT520D**

www.uwelding.com




LOTOS[®]

Lotos Technology CT520D Quick Setup

Instructions

Power plug wiring:

For either 110 or 220VAC, the GREEN wire is the ground wire. The WHITE and BLACK wires are hot wires.

For Plasma Cutting:



Figure 1.1

1. Wear a Lotos auto darkening plasma cutting helmet (Figure 1.1, not included in the box. To purchase, please go to our website.) to protect your eyes from harmful plasma cutting arc radiation and safety gloves to protect your hands during welding.

2. Connect the machine gas inlet (on the back of the machine, Figure 1.2) with an air compressor (Figure 1.3) and set the air pressure to 65-70 PSI. (The Air Regulator is optional if your air compressor has the capability to control output air pressure.)

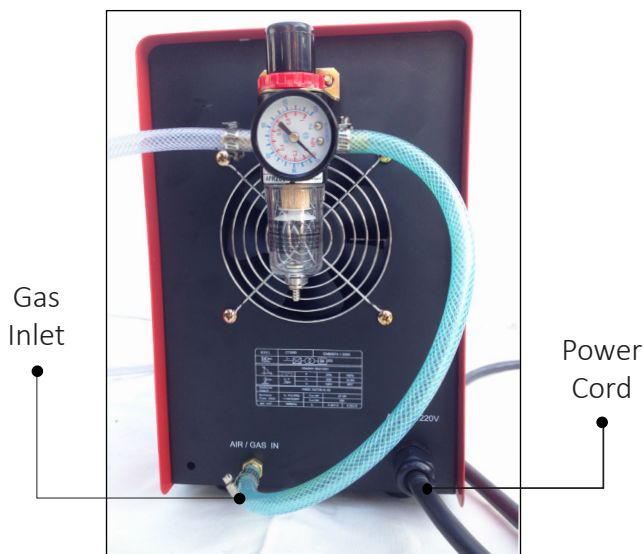


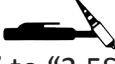


Figure 1.2



Figure 1.3



3. Connect your plasma cutting torch and ground cable to the front panel of the machine. Make sure the ground cable is connected on the right hand side where the “+” sign is located. (Figure 1.4)

- Set TIG Weld  /Stick Weld  /Plasma Cut  switch to Plasma Cut mode.
- Set “2.5S/5S” to “2.5S” Mode.
- Set “Machine/PEDAL” to “Machine” Mode.
- Adjust Current Dial between 10 and 50 amps.

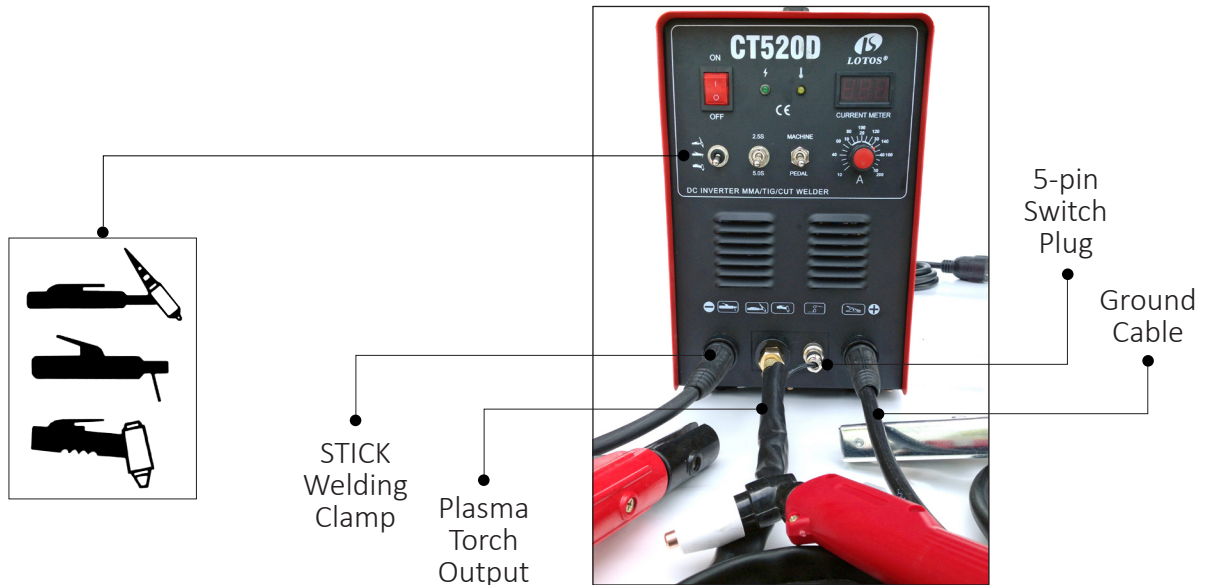


Figure 1.4

4. Attach the ground clamp to the metal you want to cut. Grind the metal to make sure the clamp is securely attached to the work piece. Press the trigger of the torch and make sure the air is flowing. Finally, move the torch head to the work piece and start cutting.
5. Change your consumables (tip, electrode, ring, and cup) if they are worn out. The consumables' type is LCON. If you want to cut the perfect circle or perfect straight line, order a Lotos LCK roller guider compass kits from our website www.uwelding.com.

For TIG Welding:

1. Wear our auto darkening helmet and gloves to protect your eyes and hands from any harmful welding arc. (Please see step 1 in **Plasma Cutting**.)
2. Connect the machine gas inlet (on the back of the machine, Figure 1.5) to the argon regulator and adjust the knob to set gas pressure between 15 and 20 min/L (an argon regulator is necessary, Figure 1.6.)

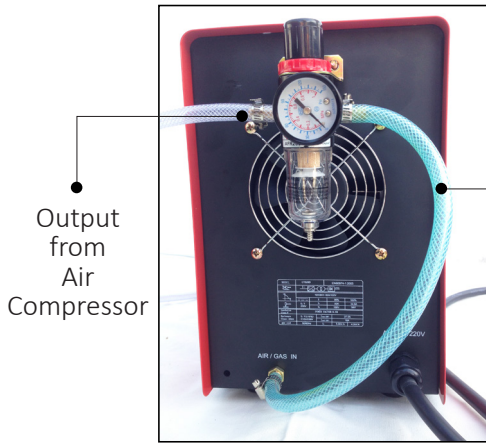


Figure 1.5

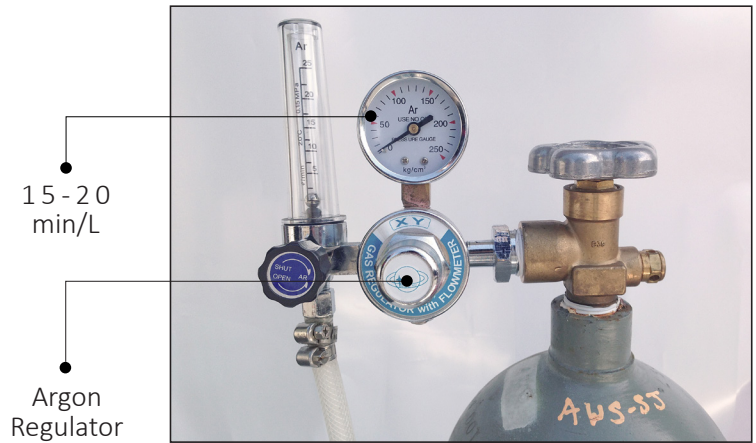


Figure 1.6

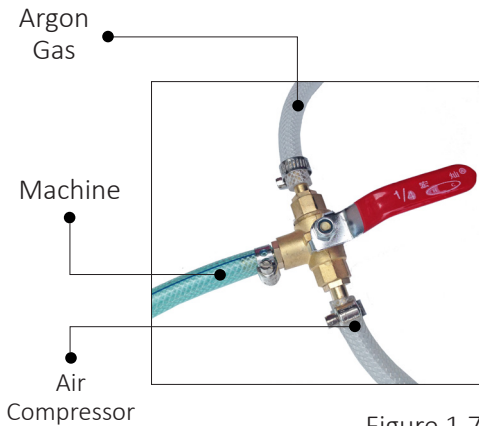


Figure 1.7

a) If you switch from plasma cutting to TIG welding quite often, consider buying a LOTOS 3 way valve kit to connect both the argon tank (Figure 1.7) and the air compressor simultaneously.

- Connect your TIG torch and ground cable to the front panel of the machine.
- Make sure the ground cable is connected on the right hand side where the “+” sign is located.
- Set TIG Weld/Stick Weld/Plasma Cut switch to TIG Weld mode (refer to Figure 1.4, page 2).
- Set “2.5S/5S” to “2.5S” mode.
- Set “Machine/PEDAL” to “Machine” mode.
- Adjust current dial from 10 to 200 amps (Figure 1.8).



Figure 1.8

b) If you want to dynamically control the welding heat, please use a foot pedal (not included in the box. To purchase, please go to our website). Then connect the “on/off” connector to your foot pedal and leave the wire of the TIG torch unplugged.

- Set TIG Weld/Stick Weld/Plasma Cut switch to TIG Weld mode (refer to Figure 1.4, page 2).
- Set “2.5S/5S” to “2.5S” mode.
- Set “Machine/PEDAL” to “Pedal” mode.
- Adjust current dial between 10 and 200 Amp (Figure 1.9).



Figure 1.9

3. TIG torch head parts (Figure 1.10) and assembly (Figure 1.11)
(The tungsten is not included in the picture; please buy proper DC Lotos tungsten electrodes.)
Grind and sharpen the tungsten before first use.



Figure 1.10



Figure 1.11

For Stick/Arc/MMA Welding:

1. Wear our auto darkening welding helmet and gloves to protect your eyes and hands from any harmful welding arc. (Please see step 1 in **Plasma Cutting**.)
2. You don't need to connect the machine to any gas or air supply. It's a plug and play.

Panel connection instructions:

- Set TIG Weld/Stick Weld/Plasma Cut switch to Stick Weld mode (refer to Figure 1.4, page 2).
- Set "2.5S/5S" to "2.5S" mode.
- Set "Machine/PEDAL" to "Machine" mode.
- Adjust current dial between 10 and 200 amps (Figure 1.12).



Figure 1.12

Last but not least, please be sure to turn off the machine when you switch from one function to another. This is important, because otherwise the machine could be damaged.

All accessories and consumables can be purchased at www.uwelding.com or Lotos's authorized resellers.

Thank you for your business!

LOTOS TECHNOLOGY
POWERFUL, PORTABLE AND AFFORDABLE WELDING SOLUTIONS



Contact us:
1155 Tasman Drive
Sunnyvale, CA 94089

Tel: +1(408)739-2329
E-mail: sales@lotostechnology.com
<http://www.uwelding.com>

LOTOS Plasma Cutters User Manual

Version: 2.0, May 2014

copyright @ Lotos Technology

www.uwelding.com is operated by Lotos Technology



Table of Contents

Introduction	6
Overview	6
Audience	6
Safety Precautions	7
Overview	7
Caution Recommendations	7
Avoiding Fatal Electric Shock	7
Avoiding Harmful Smoke, Gases, and Vapors	7
Avoiding Harmful Arc Emissions/Rays	7
Avoiding Harmful Noises	7
Fire or Explosion	8
Burn Protection	8
Protecting Eyes from Flying Metal or Dirt	8
Pacemakers	8
Cylinder Handling	8
Equipment	9
General Overview	9
Main Characteristics	9
Specifications	9
Adjustor Diagram	12
Air Regulator Configuration	12
Connecting Cables to Machine	13
Installations	15
Gas Regulator Installation	16
Argon Installation	16
Operation	17
Instruction Notes	19
Working Environment	19
Safety	19
Maintenance	20
Troubleshooting	20

**For more information and more of our products,
please visit our website at
<http://www.uwelding.com/>**

Introduction

Overview

Dear Valued Customer:

Thank you for purchasing a Lotos Technology plasma cutter! Feel free to check out our other products at www.uwelding.com.

This User Manual documents policies and procedures for proper operation of the equipment.

IMPORTANT: Be sure to review the contents of this manual before attempting to operate the equipment. This manual should be located where it can be easily referenced by all users of the machine.

Audience

This manual assumes that all individuals reading the manual and using the welder/cutter are able, qualified, and/or certified to operate this type of machinery.

Safety Precautions - Read Before Using

Overview

Protect yourself and others from injury — read and follow these precautions.

Caution Recommendations



CAUTION: Welding and arc cutting can cause bodily injury.

- Do NOT switch off the machine while machine is in operation for internal circuitry can be damaged.
- Connect the machine to a UL-approved outlet only. Do not hard wire the machine directly to the power source.
- Wear safety goggles at all times. This will darken the arc that is generated by the machine and protect your eyes from harmful rays.
- All machine operators should be technically certified for welding/cutting.

Avoiding Fatal Electric Shock



- Isolate yourself from both the earth and the work piece.
- Make sure that your working area is nonflammable and explosive-free.

Avoiding Harmful Smoke, Gases, and Vapors that can injure or kill.



Welding produces fumes and gases. Breathing these fumes and gases can be hazardous to your health.

Avoiding Harmful Arc Emissions/Rays that can burn eyes and skin.



Arc rays from the welding process produce intense visible and invisible rays that can burn eyes and skin. Sparks fly off from the weld.

- Wear appropriate clothing and a welding or cutting mask to protect your eyes and skin.
- Use appropriate screen or curtain to prevent emissions from reaching individuals near the work area.
- Ensure that your working area contains no flammable items; and that none are nearby. Caution: Welding and cutting spray can ignite.

Avoiding Harmful Noises that can damage hearing.



Noise from some processes can damage hearing.

- Wear protective earplugs while operating machine.

Welding or Cutting can cause Fire or Explosion.



Welding, cutting, and allied processes can cause fire or explosion if precautionary measures are not followed.

- Develop adequate procedures, and use proper equipment to do the job safely.

- Remove combustible materials from a sphere with a minimum radius of 35 feet around the work area or move the work to a location well away from combustible materials.

Burn Protection: HOT PARTS can cause serious burns.



The work piece and equipment get hot. The hot metal, hot work piece, and hot equipment can cause burns.

- Use approved helmets or hand shields that provide protection for the face, neck, etc.
- Wear approved safety goggles or glasses with side shields, even under your helmet.
- Wear dry, hole-free insulated gloves.

Protect eyes from FLYING METAL or DIRT.



• Welding, chipping, wire brushing, and grinding cause sparks and flying metal.

- Wear approved safety glasses with side shields, even under your welding helmet.

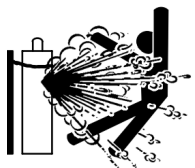
PACEMAKERS AND WELDING: MAGNETIC FIELDS can affect implanted devices.



Electric arc welding and cutting processes produce intense electric and magnetic (electromagnetic) fields. The function of pacemakers can be affected by strong electromagnetic fields.

- Persons with a pacemaker should not go near welding or cutting operations until they have consulted their doctors and obtained information from the manufacturer of the device.

CYLINDER HANDLING: it can explode if damaged.



Shielding gas cylinders contain gas under high pressure. If damaged, a cylinder can explode. Be sure to treat gas cylinders carefully.

- Keep cylinders away from any welding or other electrical circuits.

- Protect compressed gas cylinders from excessive heat, mechanical shocks, physical damage, slag, open flames, sparks, and arcs.
- Install cylinders in an upright position by securing to a stationary support or cylinder rack to prevent falling or tipping.

If you encounter any difficulties during set up or operation:

- Consult this manual.
- Contact Lotos Customer Service by visiting <http://www.uwelding.com/about-us/contact-us/>.



Equipment

General Overview

Manufactured with advanced inverter technology, the CT520D multipurpose unit includes the following features: stable output, reliable, completely portable, high-efficiency and low noise generated while cutting.

The CT520D multipurpose unit offers a variety of welding and cutting aspects. It is able to cut all types of metal up to 1/2" with the 50A plasma cutting function. This LOTOS multi-process welder can switch between AC/DC TIG Weld and AC/DC STICK Weld quickly and easily. With a hand carrying weight of 32lbs, the unit is portable and reliable featuring a duty cycle of 60% at max amps on all processes.

Main Characteristics

- Stabilization
- Reliability
- Portability
- Power efficiency and low noise output
- High cutting speed
- Smooth cuts

The LOTOS CT520D series DC TIG, MMA, and plasma cutter allows you to weld stainless steel, alloy steel and carbon steel and other nonferrous metals.

Specifications

General	Model name	CT520D
	Functions	50 A Plasma Cutter 200 A TIG Welder 200 A STICK Welder
	Dimension with handle	
	Weight	32 lbs (14.5 kg)
	Input voltage	110-220 V, 1-PH, 50/60 Hz
	Power supply type	Inverter- IGBT
	Housing protection	IP21
	Insulation	B
	Efficiency	85%
Accessories	Plasma cutting torch	50 A, 12.5 ft. (3.81m)
	TIG welding torch	200 A 12.9 ft. (3.93m)
	Arc/Stick clamp	200 A 6.5 ft. (1.98m)
	Argon regulator	0-250 psi
	Air regulator	0-150 psi



Specifications

Plasma Cutting	Rated input power requirement	120-220 V, 1-PH, 27 A +/- 15%, 50/60 Hz
	Output current	10-50 A @220V 10-25 A @110V
	Duty cycle @ 40°C (104°F)	60% @ 50 A 100% @ 40 A
	Gas supply	Clean, dry, oil-free air
	Recommended gas inlet flow rate / pressure	3.6 scfm @ 65 psi 80L/min
	Max rated cutting thickness	1/2 inches (12.7mm)
DC TIG Welding	Rated input power requirement	120-220 V, 1-PH, 17 A +/- 15%, 50/60 Hz
	Output current	10-200 A @ 220V 10-100 A @ 110V
	Material can weld	Steel, Stainless, Moly, Ferrous
	Duty cycle @ 40°C (104°F)	60% @ 200 A 100% @ 150 A
	No load voltage	62 V
	Working voltage	16.9 V
	Gas supply	Clean, dry, oil-free argon gas
	Starting mechanism	High Frequency Start / HF Welding
	Recommended gas inlet flow rate	2-5 L/M
DC Stick Welding	Rated input power requirement	120-220 V, 1-PH, 23 A, +/- 15%, 50/60 Hz
	Output current	10-200 A @ 220V 10-80 A @ 110V
	Material can weld	Steel, Stainless, Moly, Ferrous
	Duty cycle @ 40°C (104°F)	60% @ 200 A 100% @ 95 A
	No load voltage	62 V
	Working voltage	25 V
	Starting mechanism	High Frequency Start / HF Welding

Torch Type

Torch Type	Model	Amperage	Consumables Type
5 prong LCON Cutting Torch	CL0105	50	LCON0120 LCON0140 LCON0190
Extended 5 prong LCON cutting torch	CL0205	50	LCON0220 LCON0240 LCON0290

Consumables Package

Part Number	Nozzle	Electrode	Shield Cup	Swirl Ring	Package Type	Total Pieces
LCON0120	LN01	LE01	LC01	LR01	LN01 x 10, LE01 x 10	20
LCON0140	LN01	LE01	LC01	LR01	LN01 x 10, LE01 x 10, LR01 x 10, LC01 x 10	40
LCON0190	LN01	LE01	LC01	LR01	LN01 x 40, LE01 x 20, LR01 x 20, LC01 x 10	90
LCON0220	LN02	LE02	LC02	LR02	LN02 x 10, LE02 x 10	20
LCON0240	LN02	LE02	LC02	LR02	LN02 x 10, LE02 x 10, LR02 x 10, LC02 x 10	40
LCON0290	LN02	LE02	LC02	LR02	LN02 x 40, LE02 x 20, LR02 x 20, LC02 x 10	90

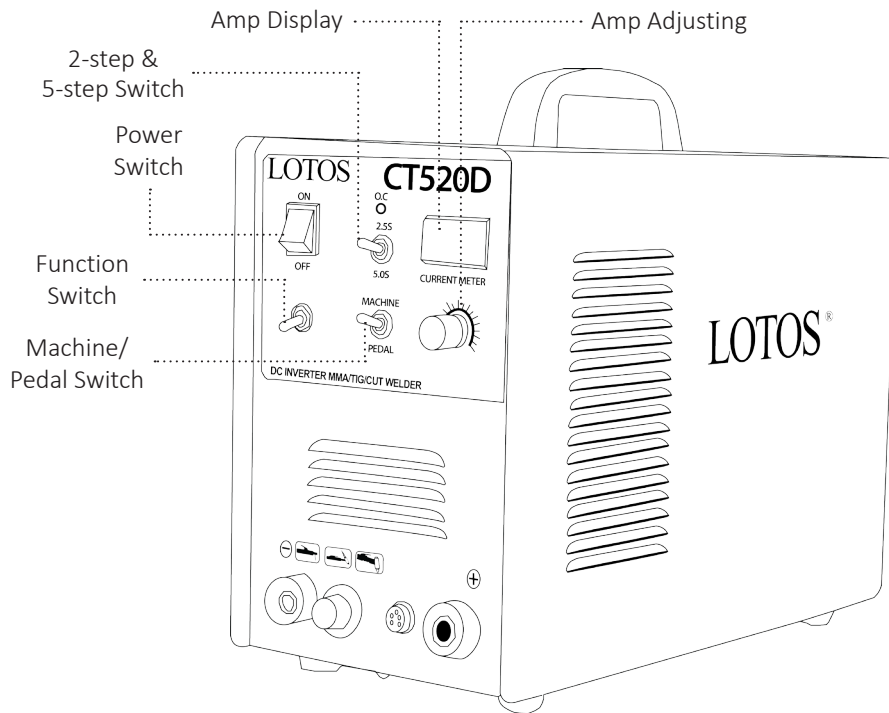


Figure 2.1: Adjustor Diagram 1

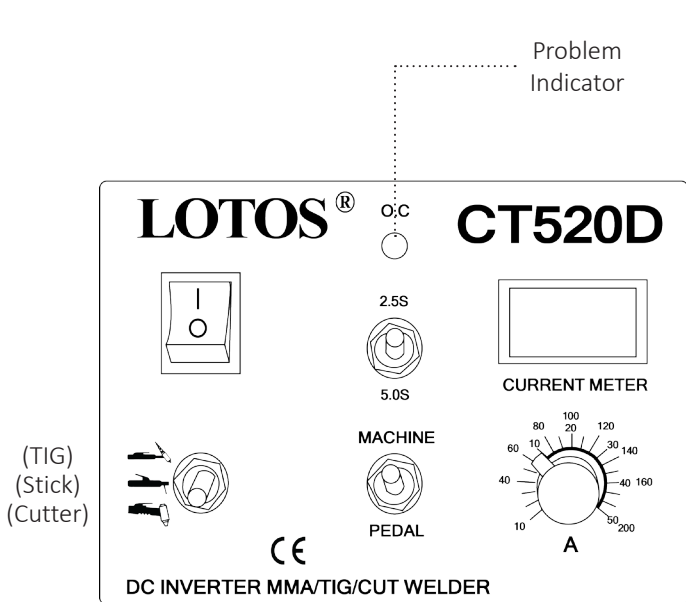


Figure 2.2: Adjustor Diagram 2

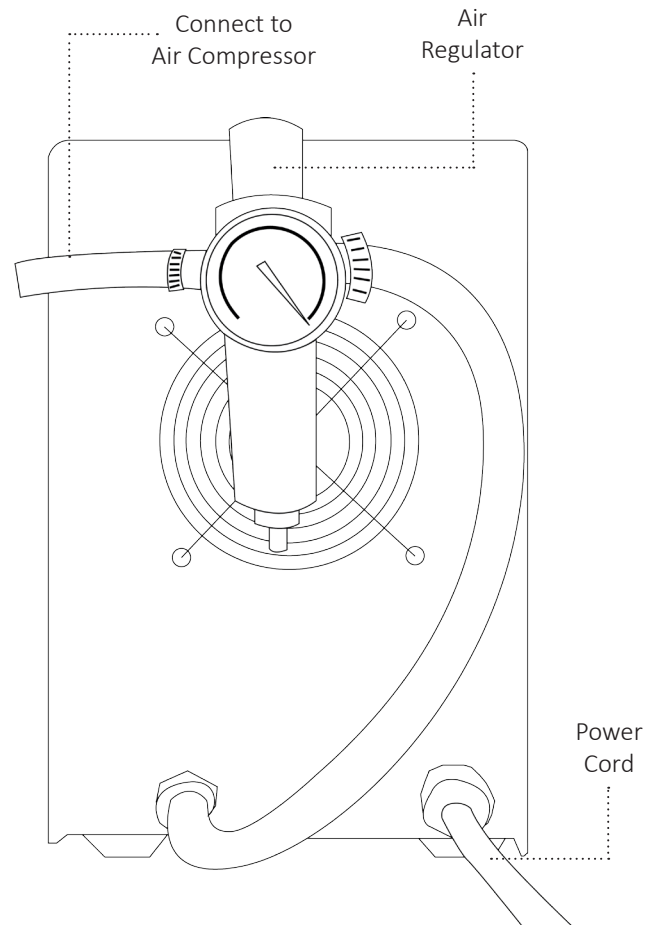


Figure 2.3: Air Regulator Configuration

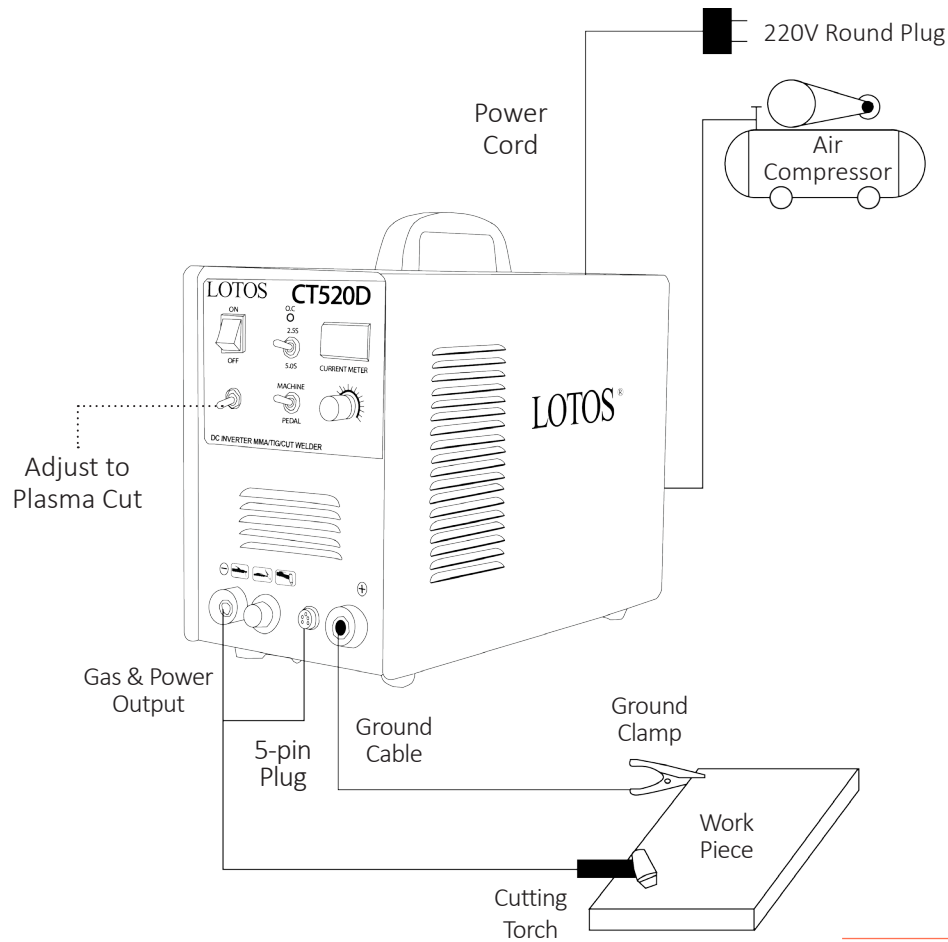


Figure 2.3:
Plasma Cutting Diagram

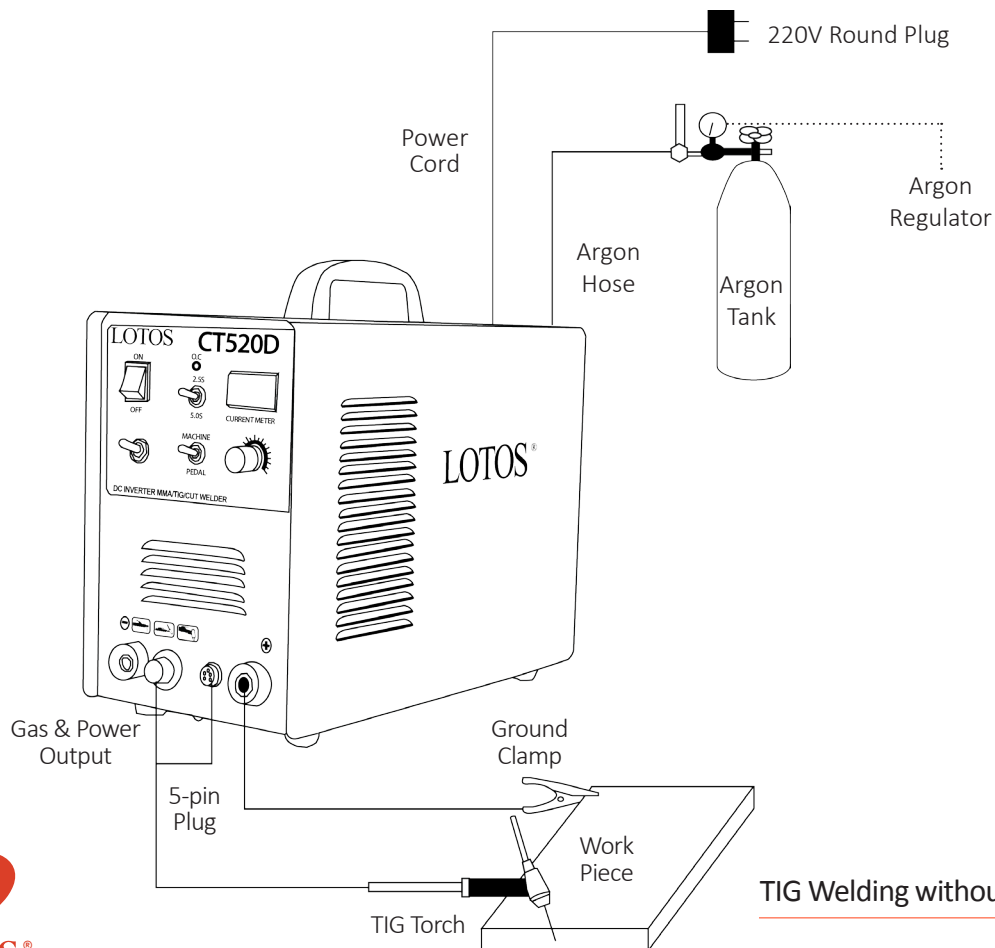


Figure 2.4:
TIG Welding without Foot Pedal Diagram

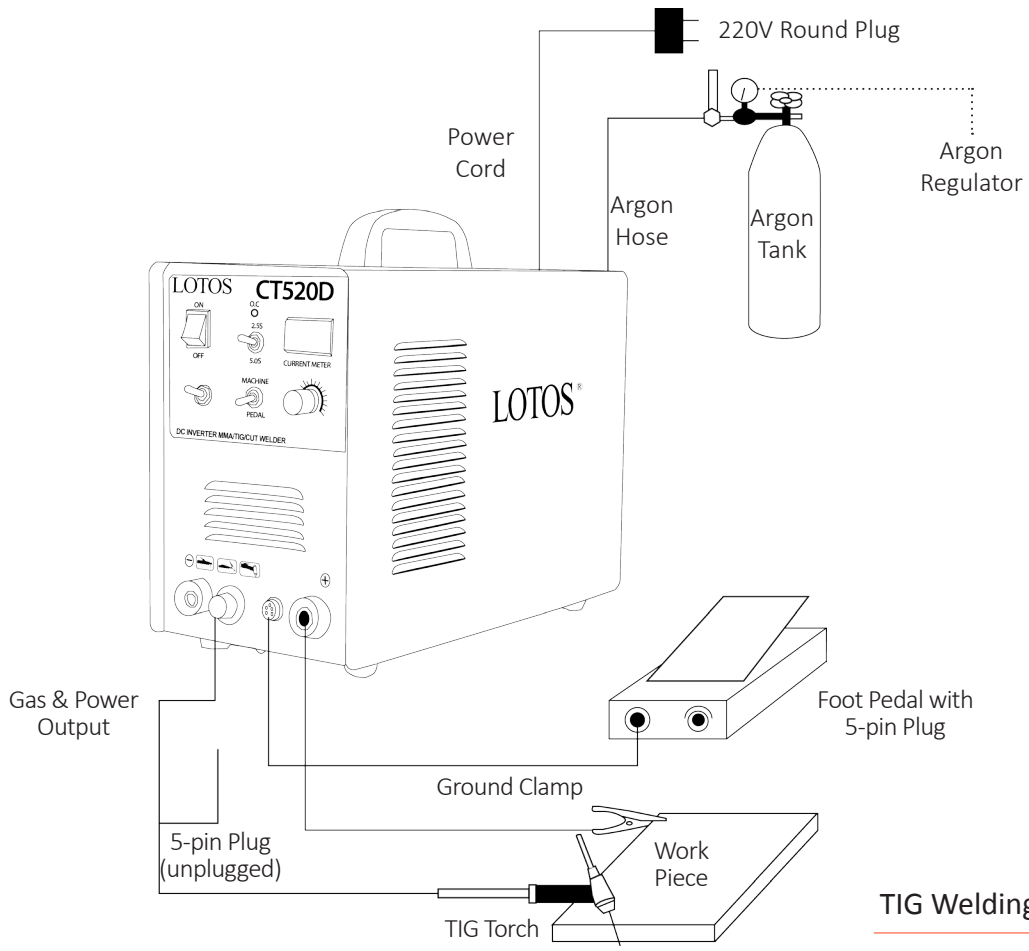


Figure 2.4:
TIG Welding with Foot Pedal Diagram

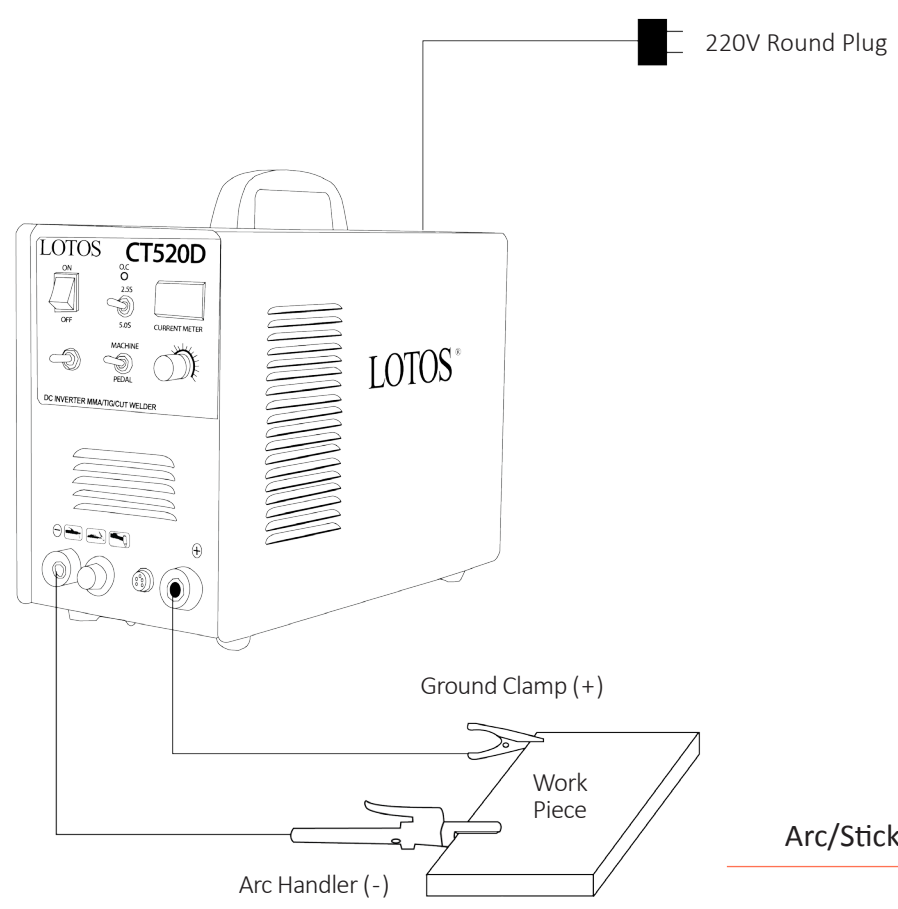


Figure 2.6:
Arc/Stick/MMA Welding Diagram



INSTALLATION

Power Cord Plug Wiring

Connect this welding & cutting equipment with a power supply of 110 or 220V AC.

For the wiring, please note that:

For 110VAC,

- The green wire with yellow stripe is the ground wire
- The red/brown wire is the hot wire
- The blue/black wire is the neutral wire

For 220VAC,

- The green wire with yellow stripe is the ground wire
- The red/brown wire is positive 110VAC
- The blue/black wire is negative 110VAC

Connect the earth terminal with the earth cable (minimum diameter of 2.5 mm².)

Connection of the Output Cables

1. Install welding torch according to the quick setup guide.
2. Connect the one-knob connector, air plug to the corresponding connector on the panel board; and fasten the screw.
3. Plug the air plug of the back cable to “+” of the air socket on the panel board; and fasten it in clockwise. **Connect earth clamp with work piece.**

Power Supply Switch

If the power switch is on, the built-in fan starts working and the current meter displays the current value.

Function Switch

The function switch enables the machine to alternate between MMA, TIG, and CUT welding according to the practical welding task requirement.

1. TIG Welding Function

- Connect the copper nozzle in the back of the machine to the argon tank with the hose. The gas supply system includes the gas bottle, air regulator, and gas hose. Connect the parts of the gas system firmly to prevent gas leakage.
- Install the argon torch according to the Figure 3.2.
- Connect the copper screw on the cutting torch to the output terminal of the one-knob of the front panel; and fasten it clockwise to avoid gas leakage.
- Connect the plug of the closed circuit to the “+” socket on the panel board. Connect the earth clamp to the work piece.



Function Switch

2. MMA Function

- Connect the plug of the electrode holder to the “+” socket on the front panel.
- Connect the plug of the ground clamp to the “-” socket on the front panel.

3. Plasma Cutting Function

- Use the gas hose to connect to one of the terminals on the air regulator and connect the other terminals to the copper tub.
- Connect the copper nut of the cutting torch to the knob on the panel board. Connect the plug of the ground clamp to the “-” socket on the front panel.

Welding Current Output Setting

According to practical demand, set the parameters of the current output by the operation of “ARC,” “TIG,” or “CUT.”

Air/Argon Regulator Installation

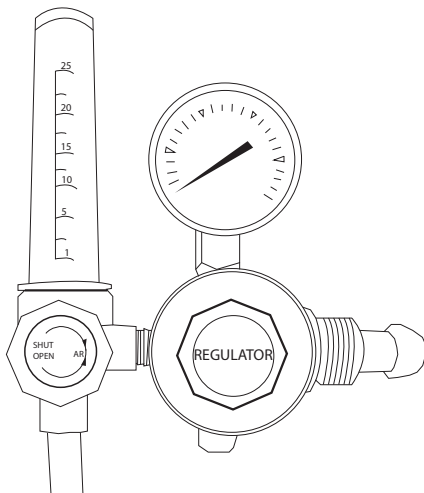


Figure 3.1:
Gas Regulator Installation

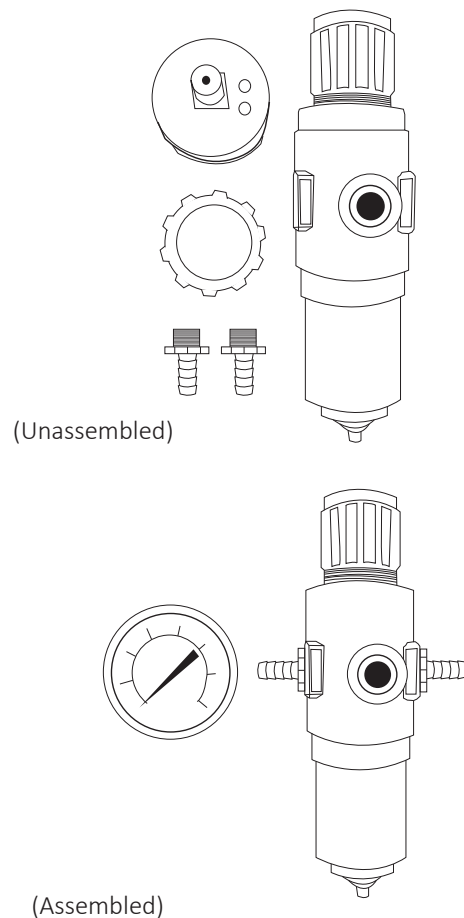


Figure 3.2:
Argon Installation

OPERATION

TIG Welding Function

- 1) While this welding & cutting equipment is operated, the power supply indicator is on; and the built-in fan will function.
- 2) Switch to the TIG welding function mode.
- 3) Press the gas release button and modulate the volume of gas output to the required value.
- 4) Press the button on the welding torch, and the electromagnetic valve functions. The sound of releasing electricity is audible, and there is gas coming out of the welding torch.

Please note: Before the initial welding operation, press the welding torch button for several seconds in order to remove the gas inside the gas tub, and the welding operation can begin. There is gas output within a few seconds after the welding operation, that is a special design to protect the welding point before it cools down. Therefore, after the arc is gone, maintain the welding position until the heat produced during the welding operation dissipates.

- 5) The welding current output is adjustable, according to the thickness of the welding material and required craftsmanship.
- 6) Maintain a distance of 1-4mm between the tungsten electrode and the work piece. Press the welding torch button. HF electricity will release between the welding electrode and the work piece. After the arc starts, the splash of the HF arc will vanish and the welding operation can begin.

MMA Function

- 1) Switch to MMA welding mode.
- 2) While this welding & cutting equipment is operated, the power supply indicator is on and the built-in fan will function.
- 3) According to the thickness of the work piece, adjust the welding current output and choose the rod, then the MMA welding can begin.

Plasma Cutting Function

- 1) Switch to the plasma-cutting mode.
- 2) While this welding & cutting equipment is operated, the power supply indicator is on and the built-in fan will function.
- 3) Release the regulator valve, and modulate the pressure and volume of output gas.
- 4) Press the cutting torch button. The sound of releasing electricity is audible and there is gas coming out of the welding torch.
- 5) According to the thickness of the work piece, adjust the current output, and then the plasma cutting can begin.
- 6) Put the nozzle of the cutting torch to the work piece and press the welding torch button. The sound of the HF arc vanishes and the cutting operation can begin. After the arc starts, maintain a distance of about 1mm in order to protect the nozzle from possible damage.
- 7) In case of difficulty with starting the arc, it is recommended to reduce the pressure of the gas output.
- 8) If the nozzle is damaged, adjust the pressure of the gas output.

Instruction Notes

Working Environment

1. The location in which this welding & cutting equipment is installed should be free of dust, corrosive chemical gases, flammable gases or materials, and of be at no more than 80% humidity.
2. Avoid welding & cutting in the open air unless sheltered from the sun, rain, and snow.
The temperature of the working environment should be maintained within -10°C to +40°C.
3. Keep this welding & cutting equipment 30cm away from the wall.
4. Ensure the working environment has good ventilation.

Safety

a) **Ventilation**

This welding & cutting equipment is small, compact in structure, and has excellent current output performance. Fans are required to remove heat generated by this cutting equipment while the machine is being operated.

Cautions: Maintain good ventilation of the louvers of this welding & cutting equipment. The minimum distance between this welding & cutting equipment and any other object in or near the working area should be 30 cm. Good ventilation is of critical importance for the normal performance and service life of this welding & cutting equipment.

b) **Welding cannot be performed if equipment is overloaded.**

A sudden halt may occur while the cutting operation is carried out if the machine is in over-load status. Under this circumstance, it is unnecessary to restart the equipment. Keep the built-in fan running to bring down the temperature inside the equipment.

c) **Beware of over-voltage.**

Regarding the power supply voltage range of the welding & cutting machine, please refer to the "Specifications" table. This equipment has automatic voltage compensation, which enables it to maintain the voltage within the given range. If the power supply input voltage current exceeds the stipulated value, it is possible to damage the components of this equipment.

d) **An earth terminal is available for this welding & cutting equipment.**

Connect the earth cable to avoid static and electric shock. It is not recommended to touch the output terminal while welding and cutting. An electric shock may occur.

Maintenance

Exposure to extremely dusty, damp, or corrosive air is damaging to this welding & cutting machine.

In order to prevent any possible failure or fault of this equipment, clean the dust out at regular intervals with clean and dry compressed air of required pressure.

Please note: Lack of maintenance can lead to the unavailability and cancellation of the guarantee; the guarantee of this equipment will no longer be available if attempts have been made to take the machine apart or the factory-made sealing of the machine has been opened.

Troubleshooting

The following trouble shooting guide is for your reference only. Lotos Technology will NOT take any liability or responsibility for any injury or damage caused in such action(s). Always turn off electrical power and air supply before performing inspection and reconnection.

CAUTIONS: *Only qualified technicians are authorized to undertake the repair of this equipment in the case of machine failure.*

Fault Symptoms	Rectification
1. While this welding and cutting equipment is off, the built-in fan is not functioning, and there is no output.	1. Possible damage of power supply switch; fix the damage if necessary. 2. Possible unavailability of power supply. Check for failure in power supply. 3. Possible short-circuit of the input cable. Check it and repair it if necessary.
2. While this welding and cutting equipment is operated, the pilot lamp is on, no output, built-in fan unavailable.	1. Possible misconnection with input of 380V, and occurrence of over voltage protection status. Reconnect with input of 220V, and restart. 2. Possible unstable input due to the unavailable input cable or possible connection unavailable spells it's being of over-voltage protection status. 3. Frequently switching on and off of this welding equipment in a short period leads this equipment's being of over-voltage protection. Switch off this welding machine and wait for at least 3 minutes, then restart this welding equipment. 4. Possible unavailable of the connection of switch and bottom PCB. Reconnect it. 5. The 24V relay of bottom PCB is possibly damaged. Replaced it if necessary.



Fault Symptoms	Rectification
<p>3. While this equipment is operated, the built-in fan functions, the fault indicator is off, no HF electricity releasing, arc does not start.</p>	<ol style="list-style-type: none"> 1. The normal voltage of positive and negative pole of board VH-07 should be DC 380V. <ol style="list-style-type: none"> 1.1 Possible short circuit, and possible misconnection of silicon bridge with the PCB. 1.2 Possible electricity leakage of capacitors; replace them if necessary. 2. The green light indicator of secondary power supply of top PCB should be on. Otherwise, it indicates that the secondary power supply is not functioning. Check whether the connection whether available. If fault cannot be rectified, please contact supplier for further advice. 3. Possible unavailability of connection inside the equipment. Check and reconnect if necessary. 4. Possible malfunction of control circuit. Check and contact the supplier for further advice. 5. Possible damage of the welding torch. Replace it if necessary.
<p>4. While this equipment is operated, fault indicator is off, HF electricity is releasing, and welding current output is unavailable.</p>	<ol style="list-style-type: none"> 1. Possible disconnection of welding torch cable. 2. Possible disconnection of earth cable, or misconnection of the earth cable and work piece. 3. The connection between positive output terminal or the gas or electricity output terminal and this welding equipment is possibly unavailable. Reconnect them if necessary.
<p>5. While this equipment is operated, the fault indicator is off, no electricity releasing, and arc starts.</p>	<ol style="list-style-type: none"> 1. The cable connection between the transformer of arc starting and power PCB is possibly unavailable. Check and reconnect it. 2. Possible oxidization of electricity releasing parts or the distance is larger than the maximum distance allowed. Remove the oxidization of the electricity releasing parts and adjust the distance of the electricity releasing parts to range of 1mm. 3. Possible damage to MMA/TIG switch. Replace them if necessary. 4. Components of HF arc starting circuit are possibly damaged. Check and replace them if necessary.
<p>6. While this equipment is operated, the fault indicator is on, and there is no output.</p>	<ol style="list-style-type: none"> 1. It is possible of over-current protection status. Switch off the power supply, wait till the fault indicator is off, and restart this welding equipment. 2. It is possible of over-heating protection status. Wait till the fault indicator is off, and the welding operation will be available. 3. Possible damage of feed back circuit. Compensate the fault if necessary.

Fault Symptoms	Rectification
7. Unstable current output during the welding operation, and the potentiometer is unavailable.	<ol style="list-style-type: none"> 1. Possible damage of 1K resistance. Replace it if necessary. 2. The connection of this welding equipment is not available.
8. Excessive splash generated during welding operation. It is difficult to weld with alkaline rod.	<ol style="list-style-type: none"> 1. Misconnection of earth cable and welding torch cable. 2. Reconnect them.
9. Insufficiency in welding and cutting performance, and the arc is not stable.	<ol style="list-style-type: none"> 1. Possible insufficiency of voltage input. 2. The connection of earth cable is unavailable. Reconnect it. 3. The gas supply system is unavailable. Examine it and fix it if necessary. 4. There is possible deficiency of electrode of cutting torch. 5. The filter capacitor of this welding and cutting equipment is not available. Replace it if necessary. 6. The rod is not available due to the fact that the rod has become damp or damaged. 7. The current is not available to start the arc.

PLASMA CUTTERS

Plasma Tig Stick Combo



Powerful, Portable & Affordable
WELDING SOLUTION

CHECK OUT ALL OUR PRODUCTS AT
WWW.UWELDING.COM



LOTOS®