



High-quality, architecturally pleasing, innovative access doors for walls, ceilings, ducts, floors and roofs



RHG, RHA Roof Hatch: Galvanized or Aluminum

Application

- Acudor Roof Hatches are designed to provide convenient, economical access to the Roof of a building.

Product Features

- Available in prime coated galvanized steel or aluminum, mill finish
- Optional Curb Height of 16 inches for "Green Roof" applications
- Optional Features: Acrylic and Polycarbonate Domes – Stainless Steel Hardware – Louvered Curbs – Curb Mounted Units – Sloped Curbs
- Optional Accessories: Safety Ladder Extension (SLE-Y) – Telescoping Safety Post (TSP-1) – Safety Railing System (RHSR)

Roof Hatch Specifications:

Cover: Double-skin construction ("in box type design") with 1" cellulose insulation and a continuous EPDM foam weather/draft seal gasket that is attached to inside of cover to provide a flush tight fit. The cover is designed to support a live load of 40 lbs./sq. ft. Outer skin is 14 gauge Galvanized steel or 0.091" Aluminum up to 36"x36", 0.102" Aluminum for sizes over 36"x36" (Single Leaf) and 0.125" Aluminum for sizes over 36"x36" (Double Leaf) Inner Skin: 22 gauge galvanized steel or .032" aluminum

Curb: 14 gauge galvanized steel/ 10 gauge .102 aluminum with 1" thick fibreboard roof insulation at curb exterior. Curb is 12" high, with 3.375" wide bottom flange and pre-drilled mounting holes.

Hinge: Zinc plated steel or stainless steel

Opening: Gas spring operators allow cover to open and close with ease. Built in hold open arm locks cover into open position. Inside pull handle allows for easy control when closing cover.

Door Latch: Self Latching zinc plated outside T handle with stainless steel inside lock and lever assembly. Unit also has inside and outside padlock provisions.

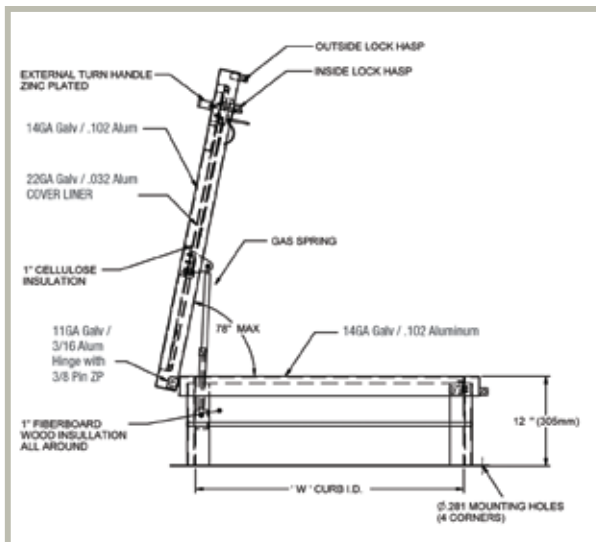
Finish: Galvanized Steel: Grey baked enamel polyester / Aluminum: Mill finish



[Click here to Online Product Page and Pricing](#)

STANDARD SIZES (Special sizes available upon request)

MODEL	DOOR SIZE INCHES & MM		MATERIAL	WEIGHT LBS & KGS LBS & KGS	
G3232	24 X 24	610 X 610	GALVANIZED	125	56.8
G3244	36 X 24	914 X 610	GALVANIZED	135	61.4
G3844	36 X 30	914 X 762	GALVANIZED	155	70.5
G4444	36 X 36	914 X 914	GALVANIZED	170	77.3
G5656	48 X 48	1220 X 1220	GALVANIZED	185	84.0
G3862	30 X 54	1372 X 762	GALVANIZED	225	102.3
G38104	30 X 96	762 X 2438	GALVANIZED	335	152.3
A3232	24 X 24	610 X 610	ALUMINUM	60	27.3
A3244	36 X 24	914 X 610	ALUMINUM	70	31.8
A3844	36 X 30	914 X 762	ALUMINUM	85	38.6
A4444	36 X 36	914 X 914	ALUMINUM	95	43.2
A5656	48 X 48	1220 X 1220	ALUMINUM	115	52.3
A3862	30 X 54	762 X 1372	ALUMINUM	135	61.4
A38104	30 X 96	762 X 2438	ALUMINUM	245	111.4



For more information, contact AccessDoorsAndPanels www.AccessDoorsAndPanels.com

Phone: 1-800-609-2917

Fax: 1-888-626-2907

Email: info@accessdoorsandpanels.com