



IMPORTANT SAFETY NOTICE: READ CAREFULLY BEFORE BEGINNING ASSEMBLY!

- * Always use proper tools.
- * Follow the assembly steps in order. Do not skip any steps.
- * Carefully review the list of parts. If parts are missing, contact the retailer from which you purchased the product to obtain any missing parts. **DO NOT USE SUBSTITUTE PARTS.**
- * Periodically check to ensure that all connectors (bolts, screws, etc.) are tight.
- * Keep the instructions for future reference.
- * Some assembly may involve attaching glass or mirrors. Be very careful handling the glass or mirrors, as severe injury may result if the glass or mirror breaks. Never handle large pieces of glass or mirrors by yourself.
- *When assembling products that have electric cords (lamps, light, etc.), always (1) make sure the electrical cord is unplugged before assembly and (2) be careful not to twist the electrical cord during assembly.
- *When assembling shelves or entertainment centers, do not stand on lower shelves in order to assemble upper shelves—use a step ladder.
- *So not stand on tables, including but not limited to, end tables, coffee tables, and dinner tables, as tables are not to support the weight of a person.
- *Where assembly instructions state that the assembly requires two or more people, do not attempt by yourself as there is a risk of injury.

⚠ NOTE: SIGNATURE DESIGN FURNITURE, LLC. DISCLAIMS ANY LIABILITY FOR DAMAGES OR INJURIES WHICH MAY OCCUR DUE TO FAILURE TO PROPERLY FOLLOW ASSEMBLY INSTRUCTIONS, PROPERLY ASSEMBLE THE PRODUCT, OR PROPERLY USE THE PRODUCT.

CHECK TO SEE THAT THE FOLLOWING PARTS ARE IN THE HARDWARE PACK!

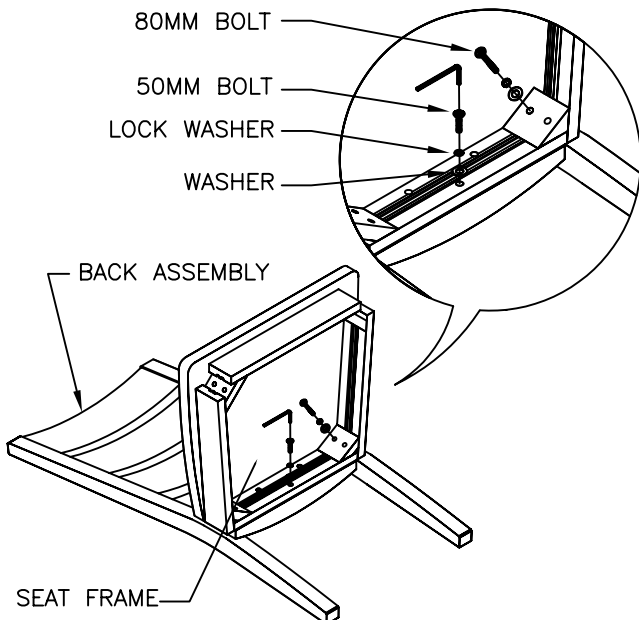
NO	Q'TY	DRAWING	DESCRIPTION	NO	Q'TY	DRAWING	DESCRIPTION
A	3		50mm ALLEN BOLT	D	11		LOCK WASHER
B	4		60MM ALLEN BOLT	E	11		WASHER
C	4		80MM ALLEN BOLT	F	1		ALLEN WRENCH

⚠ NOTE: UNIT SHOULD BE ASSEMBLED BY 2 OR MORE PEOPLE! DO NOT TIGHTEN ANY BOLTS UNTIL ALL BOLTS HAVE BEEN STARTED!

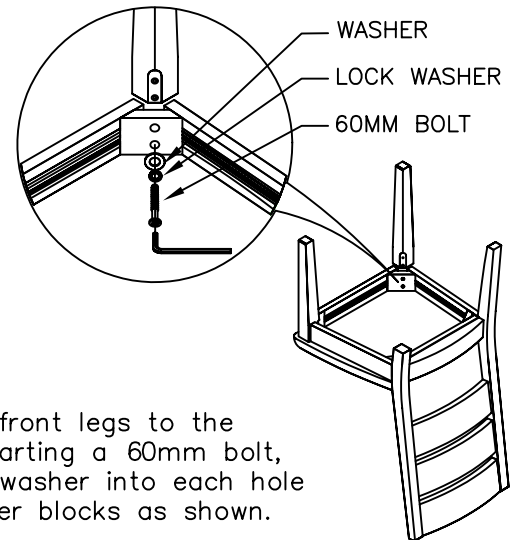
①

1. Lay the back assembly down on a smooth, protective and level surface.
2. Align the seat frame to the back assembly. Start a 50mm bolt, lock washer and washer into each hole in the seat frame back rail. Start a 80mm bolt, lock washer and washer into each hole in the corner blocks.

DO NOT TIGHTEN ANY BOLTS AT THIS TIME!



②



1. Assemble the front legs to the seat frame by starting a 60mm bolt, lock washer and washer into each hole in the front corner blocks as shown.

DO NOT TIGHTEN ANY BOLTS AT THIS TIME!

③

1. Set the unit upright.

NOTE:
To ensure that chair is level, place it upright on a level surface and tighten all bolts.

2. Securely tighten all bolts using the Allen wrench while making sure that the unit remains level.

