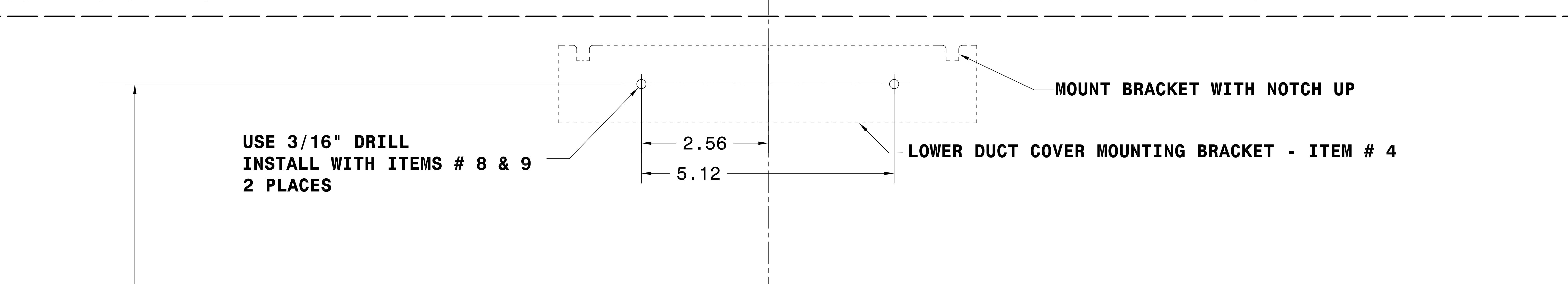
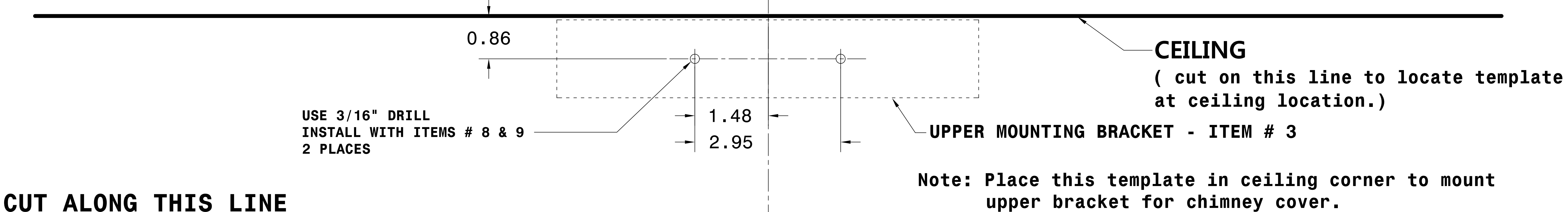


UPPER DUCT COVER MOUNTING TEMPLATE



- RANGE HOOD LOCATION INSTRUCTIONS:**
- LOCATE CENTER OF COOKTOP
 - DRAW VERTICAL LINE ON WALL TO CEILING
 - FROM INSTALLATION GUIDE CHART - DETERMINE DESIRED VENT HOOD HEIGHT
 - DRAW HORIZONTAL LINE AT THIS HEIGHT
 - LOCATE AND TAPE TEMPLATE TO THE WALL FOR PROPER INSTALLATION
 - REFER TO INSTALLATION MANUAL FOR PROPER ASSEMBLY

**NOTE: LOWER AND UPPER MOUNTING HOLES ON RANGE HOOD BODY SHOULD BE ATTACHED TO WOOD STRUCTURE TO SUPPORT 150 LBS.
REFER TO INSTALLATION GUIDE FOR DETAILS**

