



22-73232/3/4/9



Kenmore 30-Inch Standard-Clean Gas Range

- White 22-73232
- Stainless 22-73233
- Bisque 22-73234
- Black 22-73239

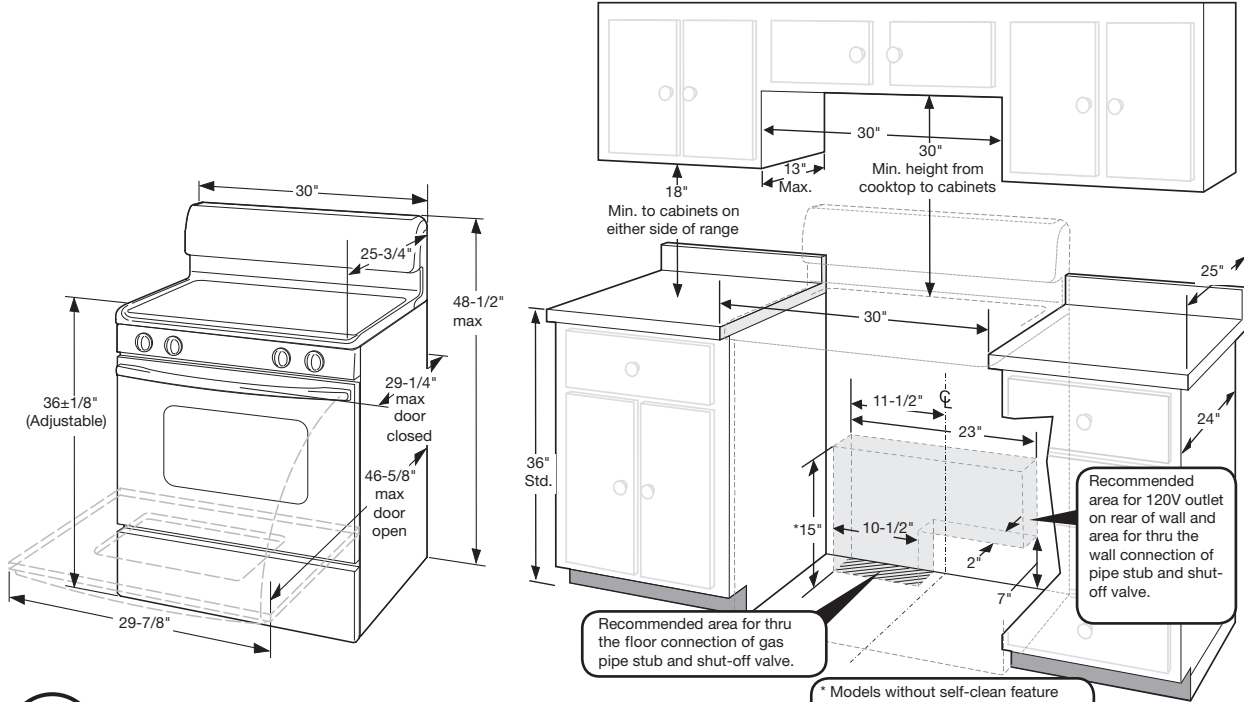
- 4.2 cu. ft. standard-clean oven
- Sealed burners
- Dishwasher-safe, porcelain-coated, cast-iron grates
- One 12,000 BTU power burner
- Three 9,500 BTU all-purpose burners
- Easy Set™ 105 electronic oven controls

Model	22-73232	22-73233	22-73234	22-73239
Overall	White	Stainless	Bisque	Black
Console	White	Stainless	Bisque	Black
Knobs	White	Black	Bisque	Black
Door	White	Stainless	Bisque	Black
Drawer	White	Stainless	Bisque	Black
Handle	White	Black	Bisque	Black
Sides	White	Black	Bisque	Black
Surface	White	Black	Bisque	Black
Matte Grates	Black	Black	Black	Black

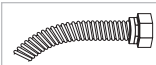
SELECTION	KENMORE
White	22-73232
Stainless	22-73233
Bisque	22-73234
Black	22-73239
OVEN FEATURES	STANDARD-CLEAN
Oven Capacity (cu. ft.)	4.2
Electronic Oven Controls	Easy Set™ 105
Variable Broiling System	Low, Norm, Hi
Total Adjustable Oven Racks	2
Oven Lights	Interior, Auto / Manual
Removable Door**	Glass
Window	X-Large
Oven Interior W x H x D (in.)	23 x 17 x 18 3/4
COOKTOP FEATURES	
Power Burner (BTU)	1 @ 12,000
All-Purpose Burner (BTU)	3 @ 9,500
Cooktop Surface	Porcelain
Valves (Degree of Turn)	270
GENERAL FEATURES	
Drawer	Broiler
Electronic Ignition	•
Natural Gas Bake / Broil (BTU / Hr.)	18,000 / 18,000
LP Gas Bake / Broil (BTU / Hr.)	16,000 / 16,000
Item Weight (Approx. Lbs.)	163
Shipping Weight (Approx. Lbs.)	178
ACCESSORIES	
Gas Connector Required – Stainless Steel; 60" Length 1/2" I.D.	22-49694
WARRANTY	
1-Year Limited Warranty – Entire Appliance	Parts & Labor

If used for other than private family purposes, warranty applies for only 90 days.
 **Stainless model has stainless door





All ranges are equipped with an Anti-Tip device. The installation of this device is an important, required step in the installation of the range.



Gas Connector - Stainless Steel
22-49694 60" Length 1/2" I.D.

