

FFGH2422U S/W

FREESTANDING RANGE

24" GAS



AVAILABLE COLORS



Stainless



White

PRODUCT DIMENSIONS

Height (Min. - Max.) 33-1/2" - 35"

Width 23 1/2"

Depth 23-5/8"

SIGNATURE FEATURES

Compact Design for Smaller Kitchen Spaces

This 24" gas range is compact in design, but not in capacity - oven can easily fit a 10 lb. turkey.

Continuous Cooktop Grates

Continuous grates make it easy to move heavy pots and pans between burners without lifting.

Storage Drawer

Convenient storage drawer offers extra space to store your cookware.

Color-Coordinated Knobs

Stylish knobs that match the finish of the range.

FFGH2422U S/W FREESTANDING RANGE

24" GAS

FRIGIDAIRE

FEATURES

Oven Control / Timing System	Ready-Select® Controls
Surface Type	Color-Coordinated Porcelain
Window	Extra Large
Exterior Door Finish	Black Glass
Handle Design	Color-Coordinated
Exterior Finish (Side Panels)	Color-Coordinated
Oven Cleaning System	Manual Clean
Drawer Functionality	Storage

OVEN CONTROLS

Bake	Yes
Broil	Yes
Effortless™ Convection Conversion	
Convection Bake/Broil/Roast	
Quick Preheat	
Add-a-Minute	
Delay Bake	
Self-Clean	
Quick Clean Option	
Delay Clean	
Kitchen Timer	Yes
Timed Cook Option	
Auto Oven Shut-Off	
Oven Lock-Out	

COOKTOP FEATURES

Right Front Burner (Watts)	8" - 11k BTU
Right Rear Burner (Watts)	6" - 5k BTU
Left Front Burner (Watts)	6" - 9k BTU
Left Rear Burner (Watts)	8" - 9k BTU

OVEN FEATURES

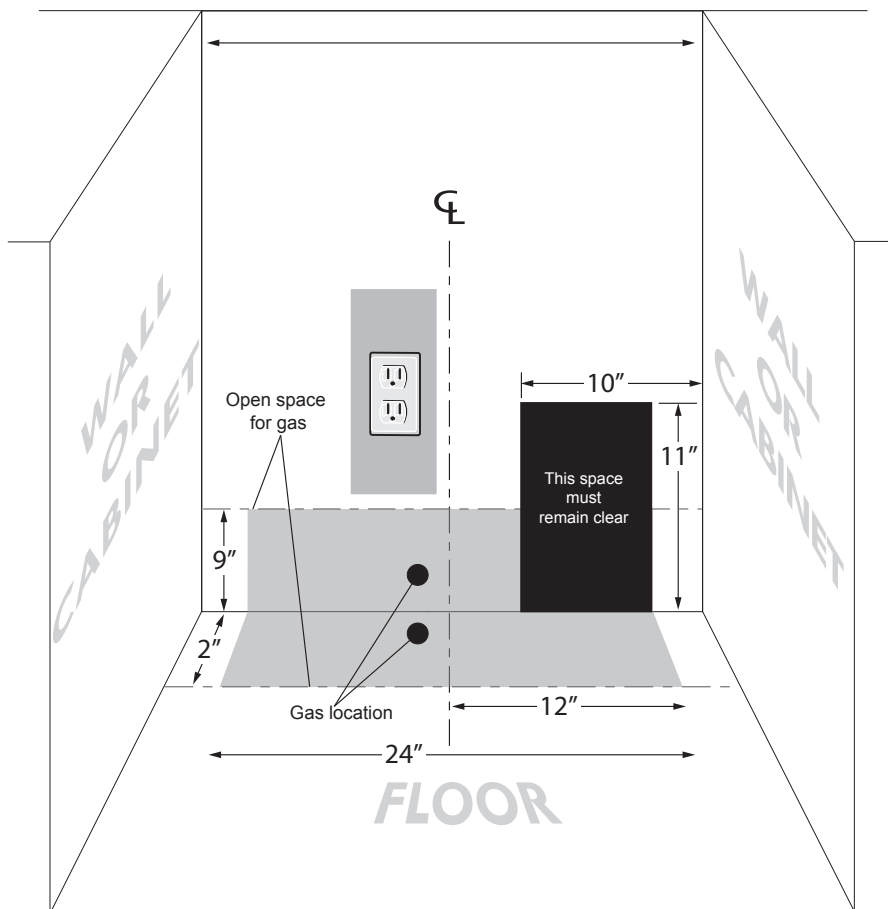
Capacity (Cu. Ft.)	1.9
Oven Light	1 Round Halogen
Hidden Bake Element	Yes
Rack Configuration	2 Flat
Even Baking System	Even Baking Technology
Broiling System	Vari-Broil™ (Hi/Lo)
Bake Element / Broil Element (Watts)	9k BTU / 1,000W

SPECIFICATIONS

Oven Interior (H x W x D)	12-7/8" x 16-1/16" x 16-3/8"
Power Supply Connection Location	Left Bottom Rear
Voltage Rating	120V / 60Hz
Connected Load (kW Rating) @ 120V/60Hz.	7.5 kW
Minimum Circuit Required (Amps)	15
Shipping Weight (Approx.)	176 Lbs.

PRODUCT DIMENSIONS

A - Height (Max.)	35"
B - Width	23 1/2"
C - Depth (Including Handle)	25-1/2"
Depth with Door Open 90°	41-1/2"



Note: For planning purposes only. Always consult local and national electric, gas and plumbing codes. Refer to Product Installation Guide for detailed installation instructions on the web at frigidaire.com / frigidaire.ca. Specifications subject to change. Accessories information available on the web at frigidaire.com / frigidaire.ca

FRIGIDAIRE

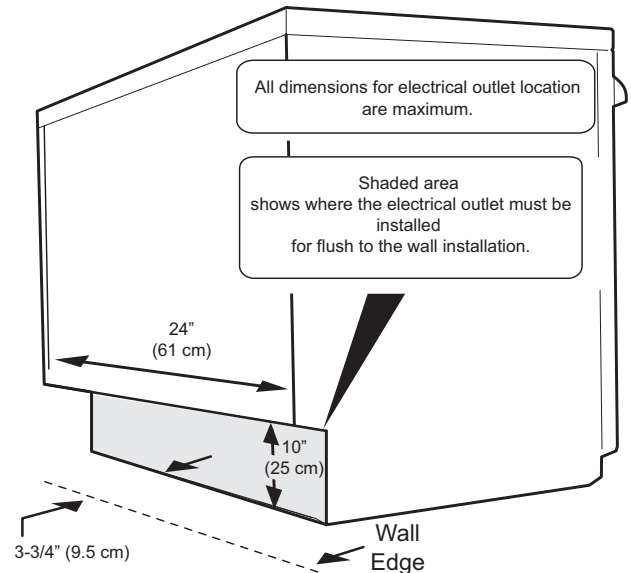
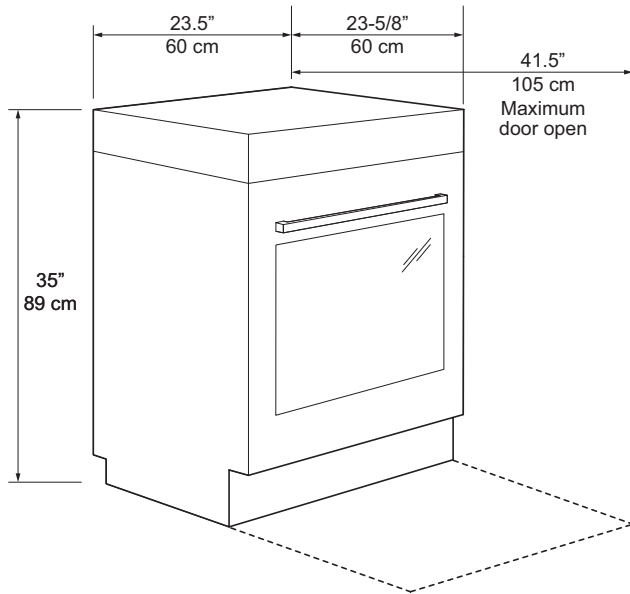
USA • 10200 David Taylor Drive • Charlotte, NC 28262 • 1-800-FRIGIDAIRE • frigidaire.com
CANADA • 5855 Terry Fox Way • Mississauga, ON L5V 3E4 • 1-800-265-8352 • frigidaire.ca

FFGH2422U 02/19
©2019 Electrolux Home Products, Inc.

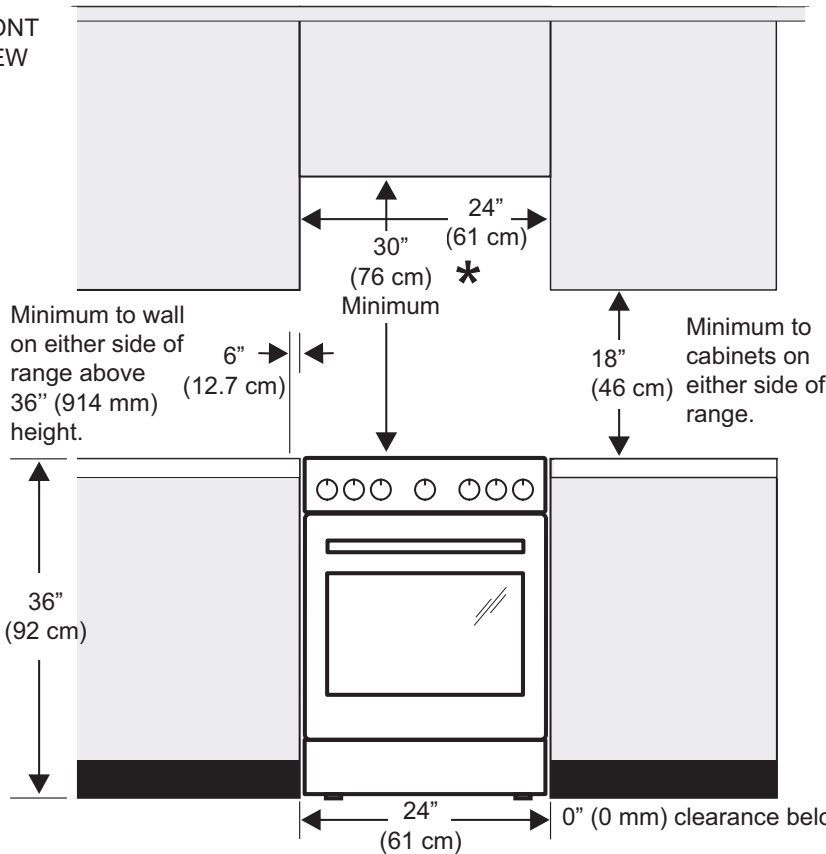
FFGH2422U S/W FREESTANDING RANGE

24" GAS

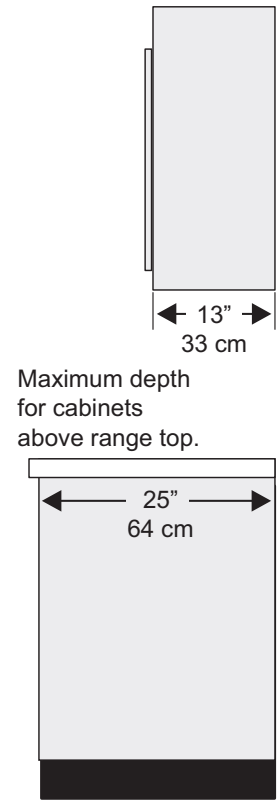
FRIGIDAIRE



FRONT VIEW



SIDE VIEW



Note: For planning purposes only. Always consult local and national electric, gas and plumbing codes. Refer to Product Installation Guide for detailed installation instructions on the web at frigidaire.com / frigidaire.ca. Specifications subject to change. Accessories information available on the web at frigidaire.com / frigidaire.ca

FRIGIDAIRE

USA • 10200 David Taylor Drive • Charlotte, NC 28262 • 1-800-FRIGIDAIRE • frigidaire.com
CANADA • 5855 Terry Fox Way • Mississauga, ON L5V 3E4 • 1-800-265-8352 • frigidaire.ca

FFGH2422U 02/19
©2019 Electrolux Home Products, Inc.