



Register Your New Product Today!

By registering your new Remington® product, you will receive these important benefits:
 Proof of Ownership • Product Protection • Product Registration • Special Offers
 Register online at: www.RemingtonProducts.com

IMPORTANT SAFETY INSTRUCTIONS

When using electrical appliances, especially when children are present, basic safety precautions should always be followed, including the following:

**READ ALL INSTRUCTIONS BEFORE USING.
 KEEP AWAY FROM WATER.**

DANGER

As with most electrical appliances, electrical parts are electrically live even when switch is off. To reduce the risk of death by electric shock:

- Always unplug this appliance from the electrical outlet immediately after using.
- Do not use while bathing or in the shower.
- Do not place or store this appliance where it can fall or be pulled into a tub or sink.
- Do not place or drop into water or other liquid.
- Do not reach for an appliance that has fallen into water. Unplug it immediately.
- Unplug this appliance before cleaning it.

WARNING

To reduce the risk of burns, fire, electric shock or injury to persons:

- An appliance should never be left unattended when it is plugged in.
- Close supervision is necessary when this appliance is used by, on, or near children or individuals with certain disabilities or special needs.
- Use this appliance only for its intended use as described in this manual.
- Never operate this appliance if it has a damaged cord or plug, if it is not working properly, if it has been dropped or damaged, or if it has been dropped into water.
- Keep the cord away from the heated surfaces. Do not wrap the cord around the appliance.
- Never use while sleeping.

- Never block the air openings of the appliance or place it on a soft surface, such as a bed or couch, where the air openings may be blocked. Keep the air openings free of lint, hair and the like.
- Never drop or insert any object into any of the appliance's openings.
- Do not use outdoors or operate where aerosol (spray) products are being used, or where oxygen is being administered.
- Do not use an extension cord.
- This appliance is hot when in use. Do not let eyes or bare skin touch heated surfaces.
- Do not place the heated unit directly on any surface while it is hot or plugged in.
- The plug on this appliance has one blade wider than the other, it is a polarized plug. As a safety feature, this plug will fit in a polarized outlet only one way. If the plug does not fit fully in the outlet, reverse the plug. If it still does not fit contact a qualified electrician. Do not attempt to defeat this safety feature.
- Always store this appliance and cord in a moisture-free area. Do not store it in temperatures exceeding 140°F (60°C).
- This appliance is for household use only.
- Do not plug or unplug this appliance when your hands are wet.



KEEP AWAY FROM CHILDREN

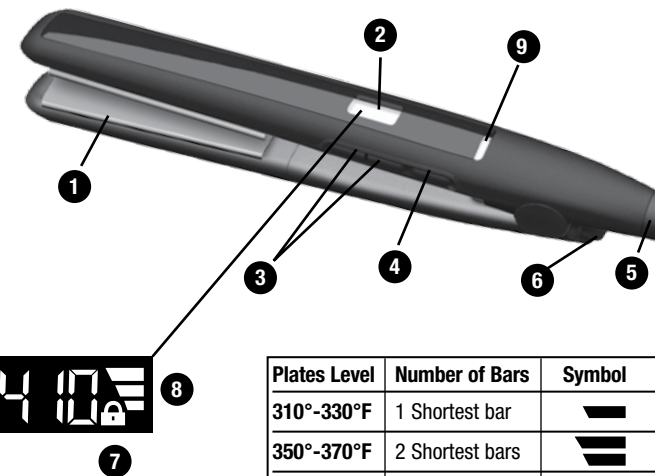
SAVE THESE INSTRUCTIONS

Product Features

Thank you for purchasing the Remington® flat iron. Please carefully read the instructions contained in the booklet, and keep them in a safe place for future reference.

The Ultimate Styling Surface!

Delivers high ceramic heat and reduces static and frizz.



| Plates Level | Number of Bars | Symbol |
|--------------|-----------------|--------|
| 310°-330°F | 1 Shortest bar | ▬ |
| 350°-370°F | 2 Shortest bars | ▬▬ |
| 390°-410°F | All three bars | ▬▬▬ |

Straightener Features

- | | | |
|--------------------|----------------|-------------------------------|
| 1. Ceramic plates | 5. Swivel cord | 8. Temperature bars |
| 2. LCD display | 6. Hinge lock | 9. On light |
| 3. Digital control | 7. Lock symbol | (S-5501 & S-5521 models only) |
| 4. ON/OFF button | | |

Key Features:

Next Generation Floating Ceramic Plate

Instant high heat - ready in 30 seconds

Digital precise heat - 310°-410°

On/off switch

Highest Grade Ceramic – smoothest snag free glide

Automatic shutoff after 1 hour

Salon length, swivel cord

HOW TO USE

Heat Settings

Take extra care when using a professional styler. To prevent hair damage, make sure to use the correct temperature setting for your hair type.

+/- Button Features

- Set to desired temperature setting.
- During heat up time, the LCD temperature display will pulse from, 0 to 3 bars until the desired temperature is reached.
- When the tool reaches the desired temperature, the pulsing will stop and the correlating bars (1-3) will be displayed.
- **Turbo Mode:** (hold time about 2 seconds)
 - Activating: Press “+” Button and hold about 2 seconds to increase temperature to maximum 410°F setting.
 - Decreasing: Press “-” Button to decrease the temperature like the normal function mode.
- **Lock Mode:**
 - Activating: Press and hold “-” button for about 3 seconds. All the keys will be locked and the LCD will display the lock symbol.
 - Unlocking: Press and hold “-” button for about 3 seconds. All the keys will be unlocked and the lock symbol will disappear.

| <u>Temp.</u> | <u>Hair Type</u> |
|----------------------|--|
| A. 310°-330°F | <i>Very fine, fragile, damaged hair</i> |
| B. 350°-370°F | <i>Normal, easy to straighten hair</i> |
| C. 390°-410°F | <i>Thick, difficult to straighten hair</i> |

Automatic Safety Shutoff

After approximately one hour, the unit will automatically shut itself off. To reactivate the unit, press the ON/OFF switch.

Hinge Lock

This professional flat iron has a closing lock to make the unit easier to store. To lock the iron, simply squeeze the plates together and turn the switch to the locked position. To unlock, turn the switch to the unlock position.

NOTE: Do not heat the unit in the locked position.

Usage Tips

Straightening Your Hair

1. Hair should be dry and free of tangles before using the styling iron.
2. Plug the styler into an electrical outlet. Press and hold the ON/OFF button until the unit turns on and the LCD lights up.
3. Adjust the temperature using the temperature buttons. The display will flash while the unit heats up, then glow steadily when it has reached the selected temperature.
4. Divide hair into manageable sections and clip the upper layers on top of your head and out of the way. Work with underneath layers first.
5. Test the styler on a small section of hair, then adjust the temperature up or down before styling the rest of your hair.

NOTE:

- If you find that you need a higher setting while straightening your hair, simply adjust the temperature to a higher heat setting.
 - While straightening your hair, if you find that you need a lower setting, adjust the temperature to a lower heat setting. Because the unit is already hot, it may take a few minutes to cool off.
6. Take a small section of hair, pull hair down and away from your scalp, and hold it taut.
 7. Starting at the roots, clamp hair firmly between the plates and run the styler down the entire hair strand, from root to tip, in one smooth stroke. Do not hold it in one area for a long period of time or damage to hair may occur.
 8. To create curves or flicks, rotate your wrist to turn the iron in toward your head or out away from your head as you run the iron down the hair strand.
 9. Repeat with all the sections of your hair, working with the underneath layers first, then the top and sides.
 10. When you are finished styling, press and hold the ON/OFF button to turn the unit off, unplug it, and allow it to cool before storing.

MAINTENANCE

Cleaning

Make sure the unit is unplugged and cool. Use a damp cloth to clean the plates and the outside of the power handle. No other maintenance of the unit is required. This appliance has no user serviceable parts.

Storage

Unplug the unit whenever it is not in use. Allow it to cool, then store it out of reach of children in a safe, dry location.

Never wrap the cord around the appliance, since this will cause the cord to wear prematurely and break, thus voiding warranty. Handle the cord carefully and avoid jerking, twisting, or straining it, especially at plug connections. If the supply cord is damaged, it must be replaced by the manufacturer, its service agent or similarly qualified persons in order to avoid a hazard.

Warranty

Limited Three-Year Warranty (S-5521/S-5501)

Spectrum Brands, Inc. warrants this product against any defects that are due to faulty material or workmanship for a three-year period from the original date of consumer purchase.

If the product should become defective within the warranty period, we will replace it free of charge. Return your product and sales receipt with your name, address and day time phone number to: Remington Returns Center, 507 Stokely Dr., P.O. Box 1, Deforest, WI 53532. For more information call 800-736-4648.

KEEP ORIGINAL SALES RECEIPT AS PROOF OF PURCHASE FOR WARRANTY PURPOSES.

This warranty does not cover products damaged by the following:

- Accident, misuse, abuse or alteration of the product
- Servicing by unauthorized persons
- Use with unauthorized accessories
- Connecting it to incorrect current and voltage
- Wrapping cord around appliance causing premature wear & breakage
- Any other conditions beyond our control

No responsibility, obligation, or liability is assumed for the installation or maintenance of this product.

SPECTRUM BRANDS, INC. SHALL NOT BE RESPONSIBLE FOR ANY INCIDENTAL, SPECIAL OR CONSEQUENTIAL DAMAGES RESULTING FROM THE USE OF THIS PRODUCT. ALL IMPLIED WARRANTIES, INCLUDING BUT NOT LIMITED TO IMPLIED WARRANTIES OF FITNESS AND MERCHANTABILITY, ARE LIMITED IN DURATION TO THREE YEARS FROM DATE OF ORIGINAL PURCHASE.

This warranty gives you specific legal rights and you may also have other rights which vary from state to state or province to province. Some states do not allow the exclusion or limitation of incidental, special or consequential damages.

Spectrum Brands, Inc. Money-back Offer

If within 30 days after you have purchased your Remington® branded product, you are not satisfied and would like a refund, return it with the sales slip indicating purchase price and date of purchase to the retailer from whom it was purchased. Spectrum Brands, Inc. will reimburse all retailers who accept the product within 30 days from the date of purchase. If you have any questions concerning the money-back guarantee, please call 800-736-4648.

Limited Two-Year Warranty (S-5500/S-5520)

Spectrum Brands, Inc. warrants this product against any defects that are due to faulty material or workmanship for a two-year period from the original date of consumer purchase.

If the product should become defective within the warranty period, we will replace it free of charge. Return your product and sales receipt with your name, address and day time phone number to: Remington Returns Center, 507 Stokely Dr., P.O. Box 1, Deforest, WI 53532. For more information call 800-736-4648.

KEEP ORIGINAL SALES RECEIPT AS PROOF OF PURCHASE FOR WARRANTY PURPOSES.

This warranty does not cover products damaged by the following:

- Accident, misuse, abuse or alteration of the product
- Servicing by unauthorized persons
- Use with unauthorized accessories
- Connecting it to incorrect current and voltage
- Wrapping cord around appliance causing premature wear & breakage
- Any other conditions beyond our control

No responsibility, obligation, or liability is assumed for the installation or maintenance of this product.

SPECTRUM BRANDS, INC. SHALL NOT BE RESPONSIBLE FOR ANY INCIDENTAL, SPECIAL OR CONSEQUENTIAL DAMAGES RESULTING FROM THE USE OF THIS PRODUCT. ALL IMPLIED WARRANTIES, INCLUDING BUT NOT LIMITED TO IMPLIED WARRANTIES OF FITNESS AND MERCHANTABILITY, ARE LIMITED IN DURATION TO TWO YEARS FROM DATE OF ORIGINAL PURCHASE.

This warranty gives you specific legal rights and you may also have other rights which vary from state to state or province to province. Some states do not allow the exclusion or limitation of incidental, special or consequential damages.

Spectrum Brands, Inc. Money-back Offer

If within 30 days after you have purchased your Remington® branded product, you are not satisfied and would like a refund, return it with the sales slip indicating purchase price and date of purchase to the retailer from whom it was purchased. Spectrum Brands, Inc. will reimburse all retailers who accept the product within 30 days from the date of purchase. If you have any questions concerning the money-back guarantee, please call 800-736-4648.

120 VAC 60 Hz

Questions or comments:

Call 800-736-4648 in U.S. Or visit www.RemingtonProducts.com

® Registered Trademark of Spectrum Brands, Inc., or one of its subsidiaries.

©2011 SBI 06/11 Job# CS41936_revA

Spectrum Brands, Inc. Madison, WI 53711

Manufactured to Remington's specifications in the PRC.

T22-29750



Intertek