

C2S995SELSS

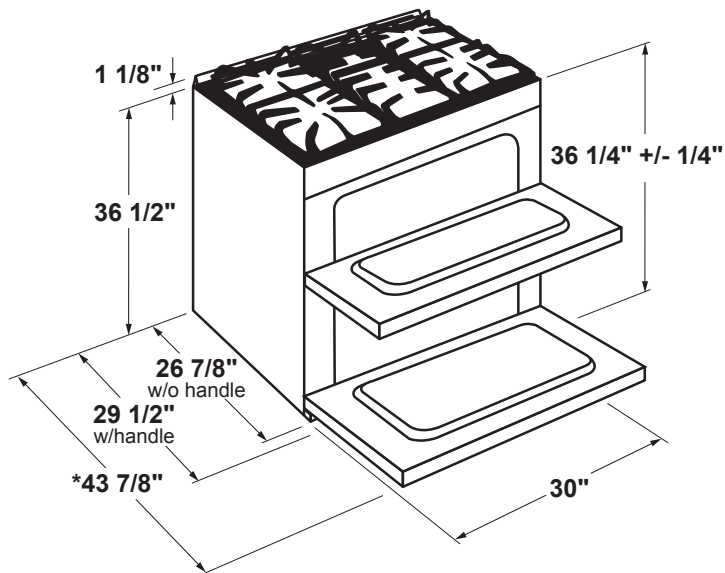
GE Café™ Series 30" Slide-In Front Control Dual-Fuel Double Oven with Convection Range

DIMENSIONS AND INSTALLATION INFORMATION (IN INCHES)

ELECTRICAL REQUIREMENTS: 240v/208v; 60Hz, 40A

INSTALLATION INFORMATION: Before installing, consult installation instructions packed with product for current dimensional data.

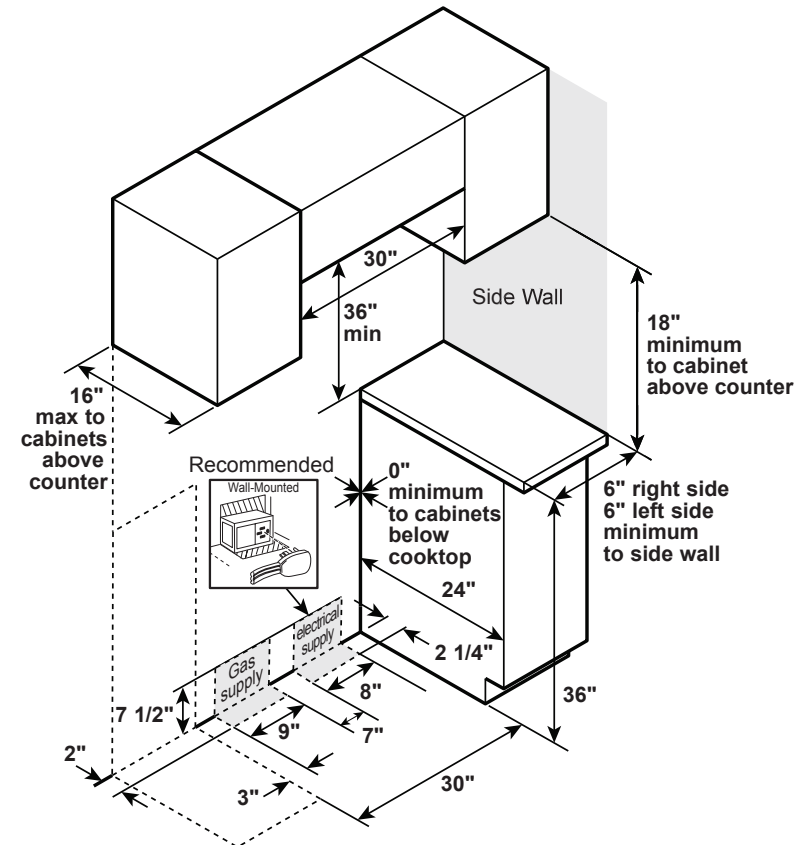
For all installations, install the required rear trim to back of range with 4 screws provided.



*Dimensions are referenced from the point at the back of the range that will contact the rear wall first.

*Dimension are referenced from the point at the back of the range that will contact the rear wall first. Max dimension should be considered between the upper and lower doors.

GAS PIPE AND ELECTRICAL OUTLET LOCATIONS



For answers to your Monogram, GE Café™ Series, GE Profile™ Series or GE Appliances product questions, visit our website at geappliances.com or call GE Answer Center® Service, 800.626.2000.



All GE ranges are equipped with an Anti-Tip device. The installation of this device is an important, required step in the installation of the range.

C2S995SELSS

GE Café™ Series 30" Slide-In Front Control Dual-Fuel Double Oven with Convection Range

FEATURES AND BENEFITS

Edge-to-edge six burner cooktop - A full range of burner options give you everything you need to cook like a pro

Cast iron integrated griddle - From grilled cheese to pancakes to quesadillas, do it all right on the cooktop

21,000 BTU Multi-ring burner - Versatile burner creates intense heat perfect for searing, frying and sautéing

Wifi Connect - Wirelessly control oven functions from your smartphone

Chef Connect - Three options with a single touch. For instant convenience, choose when to automatically sync clocks and the range elements with the microwave's surface light and vent

Self-clean, heavy-duty roller rack - Easily access items with racks that glide smoothly

Temperature Probe - Internal probe allows monitoring of roasts and meats to assure they are thoroughly and accurately cooked without opening the oven door

True European Convection with Precise Air - Accurate heat circulation ensures evenly baked foods

Hidden bake oven interior - Make cleanup easy by eliminating hard-to-reach areas

7.0 cu. ft. total double oven capacity - An upper everyday oven preheats quickly while the larger lower oven is perfect for dinner parties and large meals

Self-clean with Steam Clean option - Clean your oven the way you want

Model C2S995SELSS - Stainless steel



GUARANTEED FIT

Replace your old 30" free-standing range with a new 30" slide-in model. GE slide-in ranges are guaranteed for an exact fit to make replacement easy

Visit geappliances.com for more info

