

**NOTE:** If you have purchased a pump that has both inflating and deflating functions, make sure the pump is on deflating mode. Then, simply place the end of the hose into the inflation/deflation opening in the unit, turn on the pump and the unit begin to deflate. If your pump does NOT have this feature, once the side walls of the unit are deflated, press gently on the top of the unit to help air escape from the deflation opening. DO NOT jump or lie on the unit to help deflate it as doing so may damage the unit and cause bodily injury to the jumper.

4. Once deflated, fold the unit as it came out of the package for storage. Store indoors in a dry place away from children's reach.

DO NOT leave the unit in any area where it might become damaged.

Cleaning Instructions: Surface wash with water only. Do not use chemicals or abrasives.

Dry thoroughly before storing.

**⚠ WARNING:**

1. Unit is intended for domestic family use only. Not for use in public areas or as a rental.
2. DO NOT use this unit in a manner other than specified in instructions.
3. Instruct children on proper use of the unit.
4. DO NOT allow attachment of items such as jump ropes, pet leashes, cables, etc., to product as they may cause a strangulation hazard.
5. DO NOT drag the unit as doing so may cause irreparable damage.
6. DO NOT place the Slam Dunk Big Ball Pit on hard surfaces, such as concrete or wood floors.
7. Allow only ONE CHILD at a time inside the unit.
8. DO NOT allow toys or any other objects inside the unit or in the surrounding area. Beside balls included with product.
9. Remove shoes, socks, eyeglasses, helmets, headgear, loose clothing, hoods, scarves, sharp objects or any clothing containing drawstrings before playing in the unit.
10. Examine the unit periodically for potentially unsafe conditions such as abrasions, holes or tears in the plastic.
11. DO NOT allow child to attempt to climb on the wall as doing so may cause a tipping hazard.
12. Keep pets away from the product.
13. Maximum allowable weight of person using the unit 60 lbs. (31.7kg)
14. Check the product during use and re-inflate as appropriate.
15. Ensure the play area is free from hazards such as furniture, walls, sharp objects and other hard surface before inflating the unit or playing in it.
16. DO NOT leave children unattended at any time.
17. DO NOT use as a flotation device. Near swimming pools, any body of water, or snow.
18. DO NOT use with persons under 3 years of age and over 6 years of age.
19. DO NOT use on or near stairways, hills, driveways and roadways.
20. DO NOT dive on or jump off of item.
21. NOT to be used as a bed as a child may become wedged between the wall and floor and suffocate.
22. DO NOT use electric air pump if water or moisture is present. This may result in electric shock.
23. NOT FOR ADULT USE.



[www.littletikes.com](http://www.littletikes.com)

© & © The Little Tikes Company  
U.S. & other countries.

Logos, names, characters, slogans,  
and packaging are the property  
of Little Tikes. Used under license  
by Better Sourcing Worldwide, Ltd.



Made in CHINA

Colors and decorations may vary.  
Keep content details for future reference.



© 2016 Better Sourcing Worldwide,  
Ltd. 1835 Hallandale Beach Blvd,  
Unit # 635 Hallandale Beach, FL  
33009

PLEASE DO NOT RETURN TO STORE.  
For More Information or  
Questions Please Contact  
Customer Service:  
**1-888-752-TOYZ (8699)**  
or send us an email at:  
[help@bettertoyz.com](mailto:help@bettertoyz.com)

little tikes

For Ages 3-6

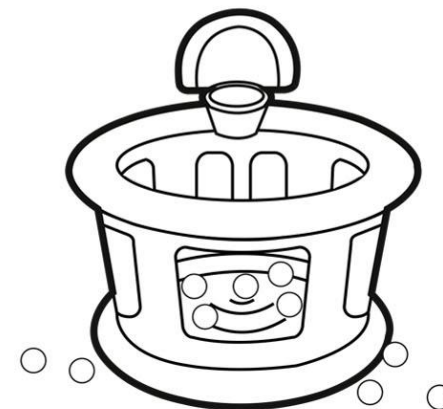
7388

## SLAM DUNK BIG BALL PIT INSTRUCTIONS

Adult Assembly Required.

MINIMUM WEIGHT 30 LBS.  
MAXIMUM WEIGHT 60 LBS.

**⚠ WARNING:**  
KEEP AWAY FROM FIRE.



### ⚠ WARNING

COMPETENT ADULT SUPERVISION IS REQUIRED AT ALL TIMES. RESPONSIBLE ADULTS SHOULD INSTRUCT CHILDREN ON PROPER USE OF THIS TOY.

- NOT FOR ADULT USE  
DO NOT ALLOW ANYONE TO USE THIS PRODUCT WHO IS UNDER 3 YEARS OF AGE AND OVER 6 YEARS OF AGE.
- OF AGE.
- DO KEEP AWAY FROM FIRE.
- THE REPAIR PATCH IS NOT A TOY. KEEP REPAIR PATCH PROPERLY STORED AND AWAY FROM CHILDREN.
- READ ALL INSTRUCTIONS BEFORE USING THIS PRODUCT.
- DO NOT ALLOW PETS NEAR THIS PRODUCT.
- DO NOT ALLOW YOUR CHILD TO ATTEMPT SOMERSAULTS OR STUNTS WHILST ON PRODUCT.
- DISREGARD AND NOT FOLLOWING THESE INSTRUCTIONS FROM THIS MANUAL AND WARNINGS
- COULD RESULT IN INJURY OR DEATH, ESPECIALLY FOR CHILDREN.

**NOTE: PLEASE BE ADVISED THAT THE ITEM MAY DEFLATE BECAUSE OF TEMPERATURE CHANGES. DUE TO THIS, YOU MAY BE REQUIRED TO ADD AIR ON A DAILY BASIS.**

While every attempt is made to embody the highest degree of protection in all equipment, we cannot guarantee freedom from injury. The user assumes all risk of injury resulting from use. All merchandise is sold on this condition, which no representative of the company can waive or change.

**WE'RE HERE TO HELP**

**PLEASE DO NOT RETURN TO STORE**

**CONTACT US DIRECTLY FOR A REPLACEMENT**

Please call customer service:

**1-888-752-Toyz (8699)**

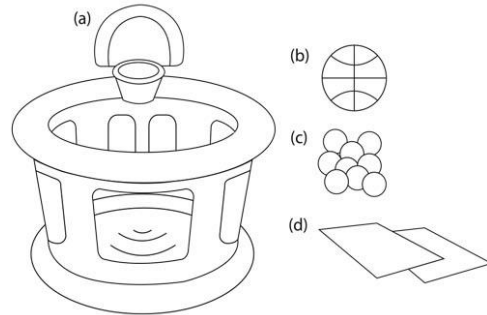
Write to us at: © 2016 Better Sourcing Worldwide, Ltd. 1835 Hallandale Beach Blvd, Unit # 635 Hallandale Beach, FL 33009

Send us an email at:

**[help@bettertoyz.com](mailto:help@bettertoyz.com)**

## CONTENTS

- (a) 1 Slam Dunk Big Ball Pit
- (b) 1 Inflatable Basketball
- (c) 20 Ball Pit Balls
- (d) 2 Repair Patches
- (e) 1 Instruction Sheet



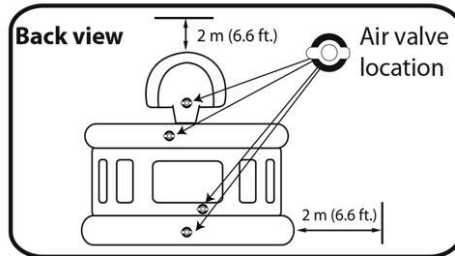
Illustrations may vary from actual contents.

## BEFORE YOU BEGIN

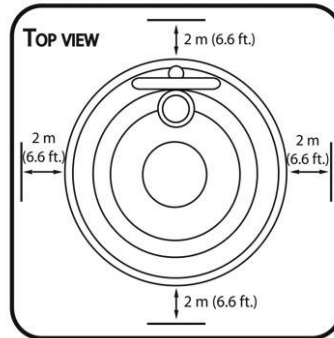
Only adults must set up and inflate this product.

1. Remove the product from the packaging, please save the packaging to store it in when finished playing.
2. Carefully unfold the product in a flat area which has been cleared of all objects of any kind. Do not use on hard floors like concrete or wood floors.

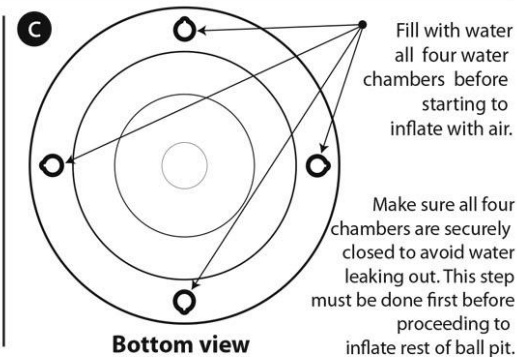
**NOTE: DO NOT** place on an uneven surface which may allow the unit to slide.



**MINIMUM CLEARANCE PLAY ZONE**  
Must have a 2m (6.6 ft.) obstacle-free zone around the product.



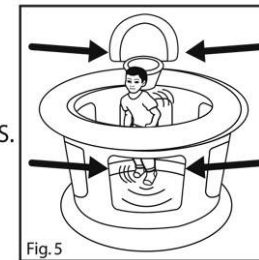
## FILLING WATER WEIGHTED CHAMBERS IN BASE



3. Lift the air valve plug from the inflation/deflation opening on the bottom edge of the unit.
  4. Place the hose of an electric pump (hose and pump not included) into the valve opening.
- NOTE:** Pump may be purchased at most hardware sporting goods store and other retail outlets. Some pumps have inflate and deflate valves. Follow pump instructions when attaching hose. **Keep electrical pump away from water or damp surfaces.**
5. Turn the pump ON and inflate the unit.

- CAUTION – DO NOT** allow children to play on or in the unit until it is fully inflated. Inflate the unit only to the point that it is firm but not hard and wrinkles are still visible in the area of the welded seams. Do Not over-inflate the unit. Doing so may cause damage to the unit and bodily injury to the child should the unit fail from over-inflation. Inflation time will depend upon the type of pump being used.
6. Once the unit is inflated, remove the hose and close the inflation/deflation opening by pressing the plug into the opening firmly to assure there will be no air leakage.
  7. Now repeat for the other remaining plugs.
  8. Allow only one child at a time inside the Slam Dunk Big Ball Pit. (Fig. 5)

**WARNING -** Instruct the child to play in the center of the Slam Dunk Big Ball Pit only. Playing close to the edges may cause a tipping hazard which may damage the Slam Dunk Big Ball Pit and cause injury to the child.



ADULT SUPERVISION  
REQUIRED AT ALL TIMES.

REMOVE SHOES  
BEFORE PLAYING  
INSIDE

9. Do Not allow the child to attempt to climb on the wall. The wall is in place to assure child does not jump out of the Slam Dunk Big Ball Pit area. Children must enter and exit through center opening.

## REPAIRING A PUNCTURE

In the event the Slam Dunk Big Ball Pit is accidentally punctured an adult must perform the following steps. Keep repair patches away from children.

1. Deflate the item, clean the punctured area with water and allow it to dry.
2. Cut a portion of the patch allowing approximately 1 1/2" of excess patch material on all sides of the opening to be patched and round the corners
3. Remove the backing of the patch material, position the patch over the damaged area and smooth out any bubbles with a paper towel.
4. Allow the item to sit for 30 minutes before re-inflating.

## DEFLATION & STORAGE

An adult must deflate and store the unit. Here's how:

1. Remove the child from the unit.
2. Remove the plug from the inflation/deflation opening.
3. Allow the unit to deflate completely.