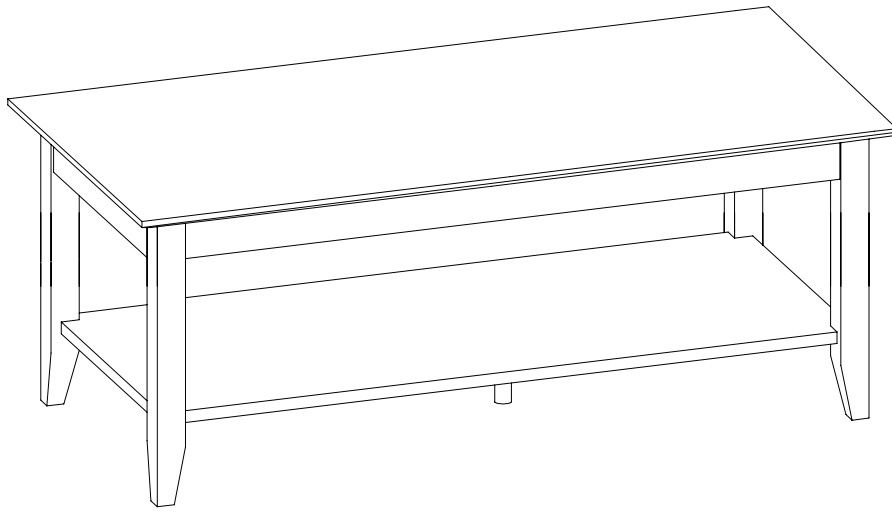


CONVENIENCE CONCEPTS

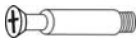


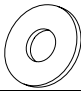

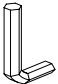
AMERICAN HERITAGE COFFEE TABLE WITH SHELF

ITEM NO. 7104088

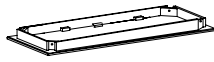

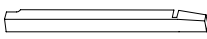

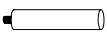
7103082BL



HARDWARE LIST

CODE	NAME	FIGURE	Q'TY
A	CAM BOLTS (6.5*35mmL)		4PCS
B	CAM LOCKS (Ø15x9mm)		4PCS
C	ALLEN SCREW (Ø1/4*45mmL)		4PCS
D	WASHER (Ø1/4*16mmL)		4PCS
E	LOCK WASHER (Ø1/4*11*1.5mmL)		4PCS
F	ALLEN WRENCH (4*21*57mmL)		1PC

PARTS LIST

CODE	NAME	FIGURE	Q'TY
1	TOP PANEL		1PC
2	BOTTOM PANEL		1PC
3	LEG		4PCS
4	COLOR STICK		1PC
5	BOTTOM LEG		1PC



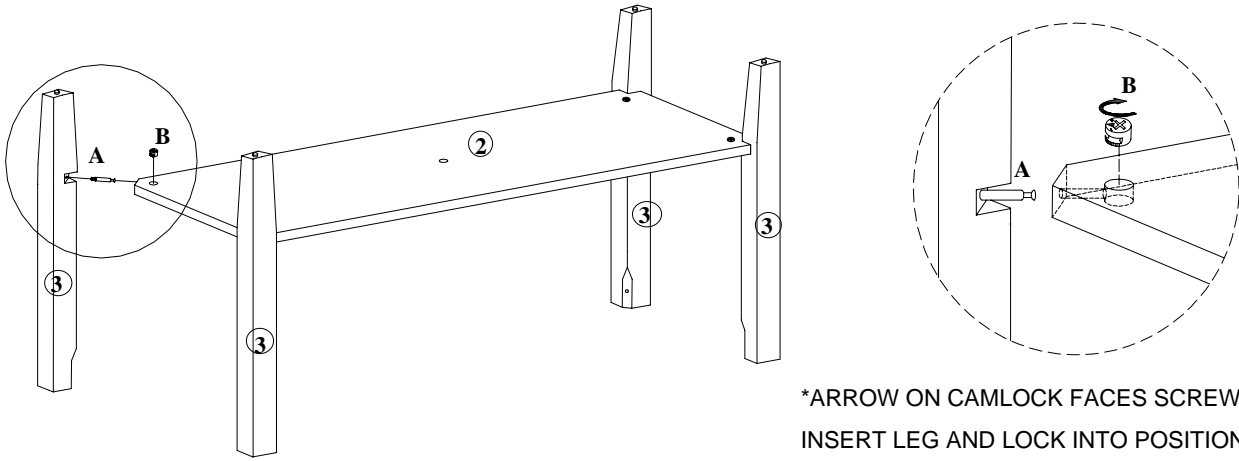
Please do not return to the store

- . Broken or Missing Parts?
- . Need help with Assembly?

If you have any questions just call 1-800-468-6447 or email us at

parts@convenience-concepts.com

1. SCREW CAMBOLTS (A) INTO LEGS (3) AND PLACE CAMLOCKS (B) INTO BOTTOM PANEL (2).

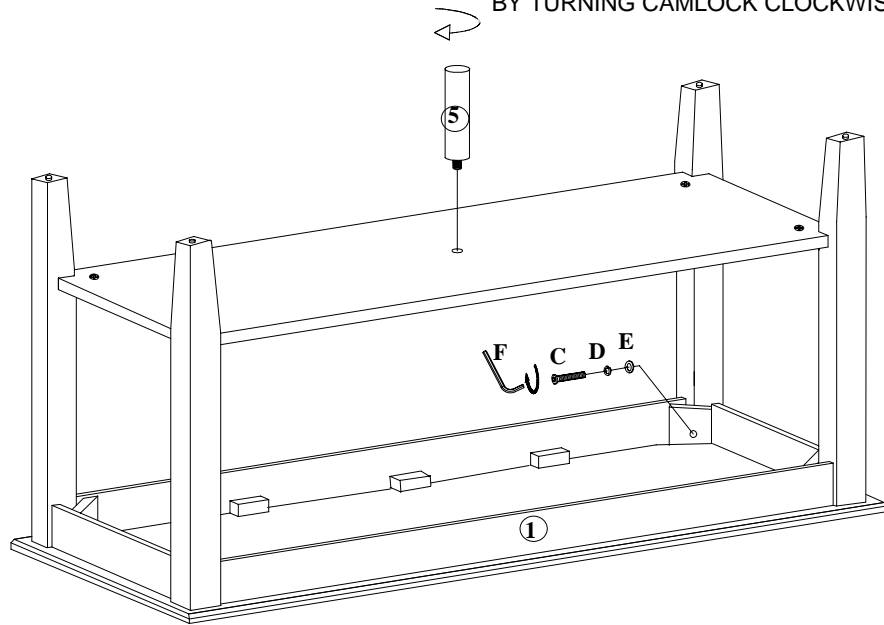


*ARROW ON CAMLOCK FACES SCREW HOLE
INSERT LEG AND LOCK INTO POSITION
BY TURNING CAMLOCK CLOCKWISE

HARDWARE
NEEDED

A x 4
B x 4

STEP 1

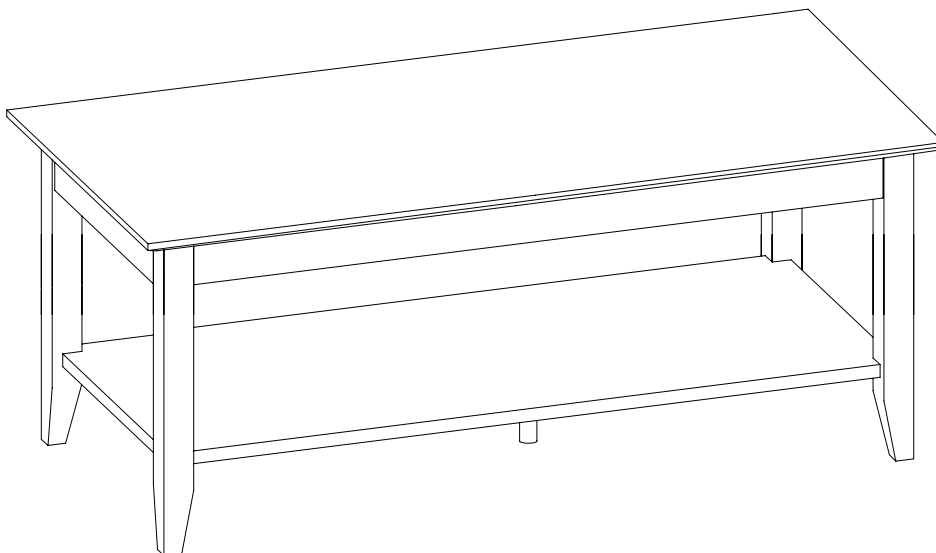


2. PLACE LEG ASSEMBLY ONTO TOP (1) AND FASTEN WITH ALLEN SCREWS (C) AND WASHERS (D) AND (E).

HARDWARE
NEEDED

C x 4
D x 4
E x 4
F x 1

STEP 2



STEP 3