

KIDS SWIVEL SEE SAW

MODEL# 9307SS

PRODUCT MANUAL - VERSION 03.16.04

FOR AGES:

4-10

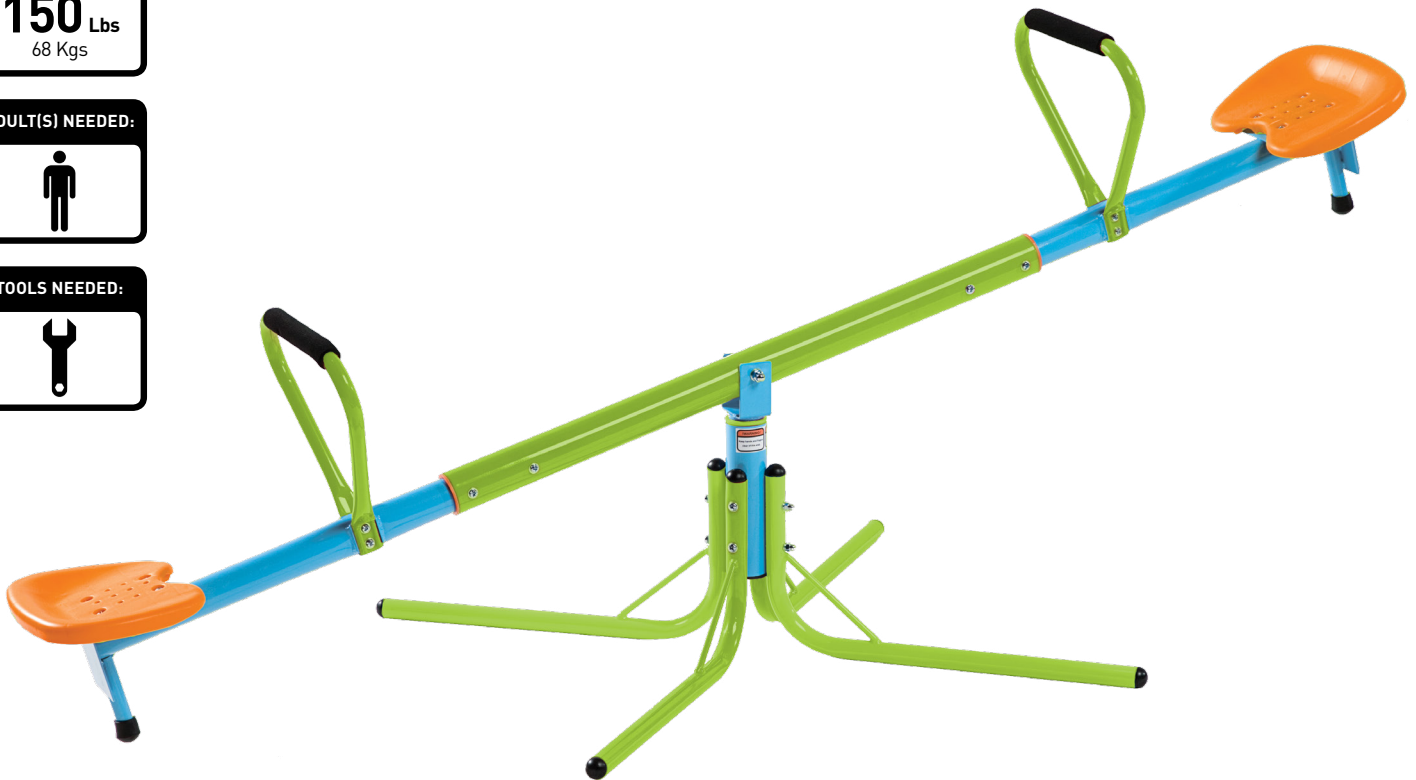
WEIGHT LIMIT:

150 Lbs
68 Kgs

ADULT(S) NEEDED:



TOOLS NEEDED:



WARNING/ADVERTENCIA

- Please read all the instructions before using this product.
- Consult a physician before beginning any exercise program or strenuous activity.
- Do not allow more than one person on this product at any time.
- Adult supervision is required.
- ADULT ASSEMBLY REQUIRED.
- The contents of this package are not suitable for children under 3 years of age. Contains small parts which may cause choking.

CUSTOMER SERVICE

-  GQBrands.com
-  CustomerService@GQBrands.com
-  1-866-498-5269
-  4009 Distribution Dr, Suite 240
Garland, TX 75041

CUSTOMER SERVICE INFORMATION

Thank you for purchasing: **KIDS SWIVEL SEE SAW**

MODEL# 9307SS

At Global Quality Brands®, we want all of our customers to be completely satisfied with their purchase. Please take time to review the contents of the product you have just received to make sure that all of the parts are included. If you find that any parts are missing or damaged, we will happily provide replacement parts at no charge within 30 days of purchase.

Please keep in mind that for select damaged part replacement requests, we will require a photo for submission.

If you request replacement parts, please be sure to include the following information in your correspondence:

YOUR NAME:

YOUR MAILING ADDRESS:

YOUR EMAIL ADDRESS:

PRODUCT NAME:

PRODUCT MODEL #:

PART # (Located In Manual)

RETAILER WHERE YOU PURCHASED PRODUCT:

DATE OF PURCHASE:

ORDER # (If Available)

SERIAL#:

QUANTITY NEEDED:

PICTURE OF DAMAGED PART(s) SUBMIT VIA Email, Fax, or Mail

To order these parts, or if you have any other questions or concerns about this GQ Brands product, please contact us at

PureFun.net
Phone: 1-866-498-5269
Email: CustomerService@GQBrands.com
4009 Distribution Dr, Suite 240
Garland, TX 75041

Sincerely,
Customer Service

LIMITED WARRANTY

Global Quality Brands® warrants this product to be free from defects in workmanship and materials under normal use and conditions for a period of 90 DAYS FROM THE DATE OF ORIGINAL PURCHASE. This Limited Warranty is not transferable and is available only for the original purchaser of the Product. The Company's obligation under this warranty is limited to replacing or repairing the Product, at the discretion of the company.

All warranty coverage extends only to the original retail purchaser from the date of purchase, GQ Brands obligation under this warranty is limited to replacing or repairing, at Global Quality Brands® option. All products for which a warranty claim is made must be received by Global Quality Brands® and accompanied by sufficient proof of purchase (photocopy of the original store receipt, indicating the date of purchase). All freight and handling fees are the responsibility of the consumer to pay, both to and from Global Quality Brands®. All warranty claims must be preauthorized by Global Quality Brands® pre-authorization can be obtained by calling 866-498-5269.

This warranty does not cover ordinary wear and tear, weathering, failure to follow directions, improper installation, improper maintenance, or acts of nature, (such as damage caused by wind, lightning, snow, water, or ice) weather damage, damage caused by unauthorized repair work or damage caused by improper use of the products are not covered by the product warranty. No other warranty beyond that specifically set forth above is authorized by GQBrands®.

GLOBAL QUALITY BRANDS® IS NOT RESPONSIBLE OR LIABLE FOR INDIRECT, SPECIAL OR CONSEQUENTIAL DAMAGES ARISING OUT OF OR IN CONNECTION WITH THE USE OR PERFORMANCE OF THE PRODUCT OR OTHER DAMAGES WITH RESPECT TO ANY ECONOMIC LOSS, LOSS OF PROPERTY, LOSS OF REVENUE OR PROFITS, LOSS OF ENJOYMENT OR USE, COST OF REMOVAL, INSTALLATION OR OTHER CONSEQUENTIAL DAMAGES. SOME STATES DO NOT ALLOW THE EXCLUSION OR LIMITATION OF INCIDENTAL OR CONSEQUENTIAL DAMAGES. ACCORDINGLY, THE ABOVE LIMITATION MAY NOT APPLY TO YOU. THE WARRANTY EXTENDED HEREUNDER IS IN LIEU OF ALL OTHER WARRANTIES AND GLOBAL QUALITY BRANDS®, SPECIFICALLY DISCLAIMS ANY IMPLIED WARRANTY OF MERCHANTABILITY OR FITNESS FOR A PARTICULAR PURPOSE IS LIMITED IN ITS SCOPE AND DURATION TO THE TERMS SET FORTH HEREIN. SOME STATES DO NOT ALLOW LIMITATION ON HOW LONG AN IMPLIED WARRANTY LASTS. ACCORDINGLY, THE ABOVE LIMITATION MAY NO APPLY TO YOU. THIS WARRANTY GIVES YOU SPECIFIC LEGAL RIGHTS. YOU MAY ALSO HAVE OTHER RIGHTS, WHICH VARY FROM STATE TO STATE.

WHILE EVERY ATTEMPT IS MADE TO ENSURE THE HIGHEST DEGREE OF PROTECTION IN ALL EQUIPMENT, WE CANNOT GUARANTEE FREEDOM OF INJURY. THE USER ASSUMES ALL RISK OF INJURY DUE TO USE. ALL MERCHANDISE IS SOLD ON THIS CONDITION, WHICH NO REPRESENTATIVE OF GQ BRANDS® CAN WAIVE OR CHANGE.



IMPORTANT MESSAGE

WARNING - PLEASE READ

ADULT ASSEMBLY REQUIRED

CHOKING HAZARD - Small Parts

NOT for children under 3 years of age.

WARNING:

While every attempt is made to ensure the highest degree of protection in all equipment, we cannot guarantee freedom from injury. The user assumes all risks of injury due to use. All merchandise is sold on this condition, which no representative of the company can waive or change.

WARNINGS

Please read these warnings and the information in this manual in its entirety.

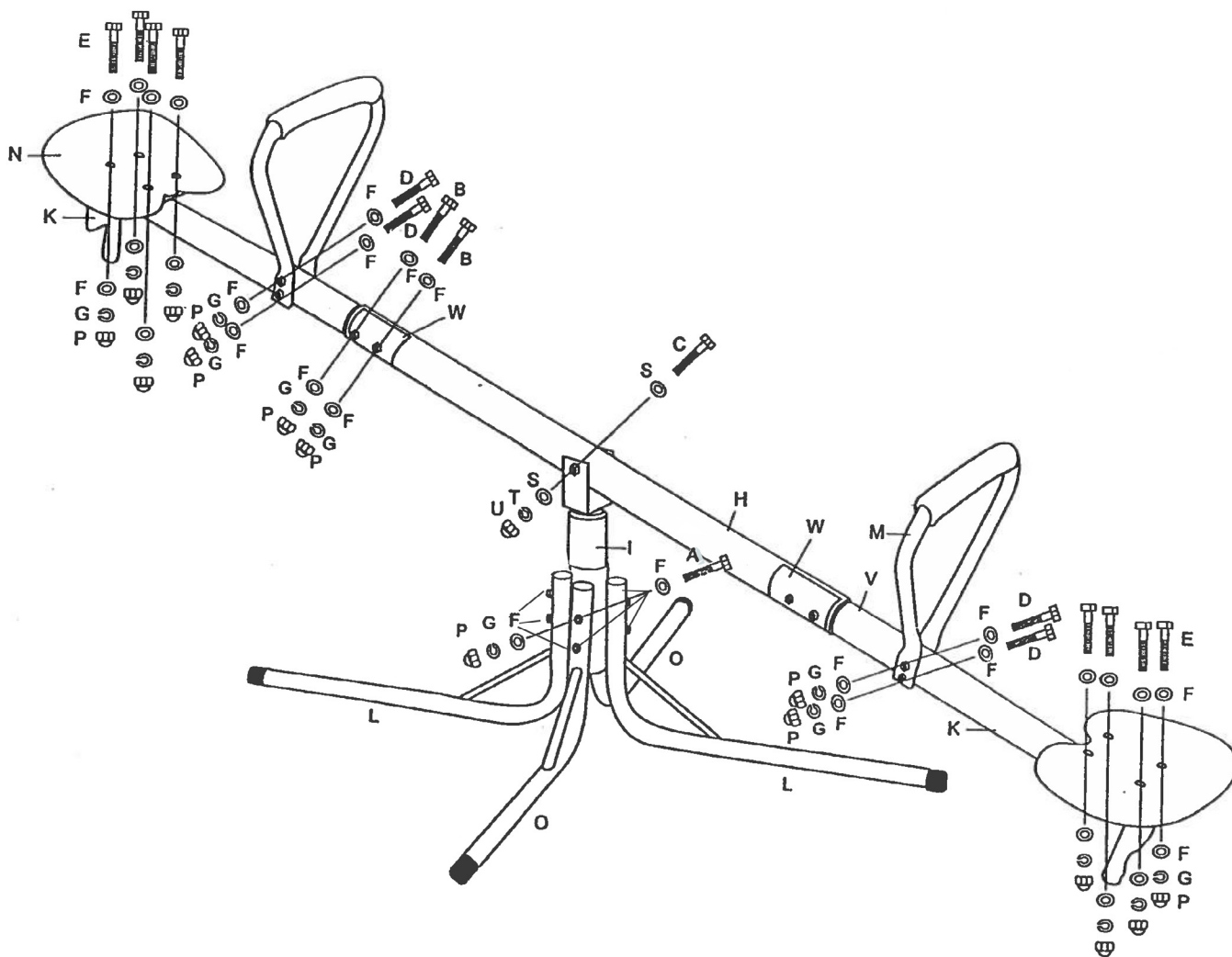
Failure to comply with the following instructions may increase the risk of serious injury and/or death:

- This unit must be assembled and disassembled by ADULTS ONLY.
- This Swivel See Saw is suitable for use by most children 4 to 10 YEARS OF AGE.
- Never use this product in any manner other than its intended use.
- DO NOT exceed the MAXIMUM WEIGHT limit of 75lbs (35kgs) regardless of age.
- This unit has a MAXIMUM FALL HEIGHT of 43.5"
- DO NOT install this equipment over concrete, asphalt, or any other hard or rough surface. The Swivel See Saw should always be installed over an appropriate, stable surface (rubber mat, grass, etc). It is recommended that whenever possible the ground anchors are used and firmly inserted into the ground.
- ALWAYS locate this equipment on a stable, level surface AT LEAST 7 feet away from any structure, obstruction, or possible hazard(s) such as walls, pools, power lines, overhangs, other playground equipment, driveways, hard surfaces and/or roadways.
- Children must be supervised at all times when using this equipment. DO NOT leave children unattended at any time.
- DO NOT attach items to the Swivel See Saw not specifically designed for this purpose. Especially in the case of jump ropes, chains, clotheslines, pet leashes and cables. These may cause a strangulation or physical hazard.
- This Swivel See Saw is NOT for adult or adolescent use.
- This Swivel See Saw is only designed for family residential use. It is NOT intended for commercial applications and/or use in public areas such as schools, parks, nurseries, day schools, day cares, etc.
- DO NOT allow more than one child on each Swivel See Saw seat at a time.
- Instruct children to always be sure that the area under and around the seesaw is clear of any persons, pets or obstructions before using.
- DO NOT allow children to wear glasses or helmets when using the Swivel See Saw, including bike or other sports helmets.
- At the time of disposal, this item must be completely disassembled and separated into its component types (metals, plastics) for recycling or pick-up according to local ordinances for sanitation pickup.
- DO NOT allow children to wear loose fitting clothing, clothing with straps/ loops, backpacks or wear and/or hold accessories with straps or loops, or any article of clothing or accessory with sharp edges which may present a hazard or become snagged or caught on the Swivel See Saw during use. Serious injury and/or accidental strangulation may occur.
- DO NOT place objects on or under the see saw, or allow people and pets to stand or sit on, near or under the Swivel See Saw when in use.
- DO NOT allow children to stand on the frame, or hang from the steel tubing – this can cause serious injury.
- Children must ALWAYS remain securely seated, in the forward facing position when using.
- DO NOT allow children to stand on the seesaw.
- DO NOT use in adverse weather conditions, while the seats are wet, or in poorly lit conditions.
- ALWAYS secure the Swivel See Saw against unsupervised use.
- ALWAYS wear the appropriate footwear (i.e. closed toe shoes) when using the Swivel See Saw.
- Before each use of this product and twice per month, inspect and replace any worn, loose, defective or missing parts and tighten all hardware. All moving parts should be lubricated with a household lubricant.
- It is important to check the entire Swivel See Saw to ensure the Frame Tubing, Protective Coverings, and Seats are steady and all parts and tubing caps are attached in good condition. If any loose, cracked, missing, or otherwise damaged components are found, cease use of this item immediately.
- Check metal parts for rust. If rust is found, sand and repaint using a non-lead based paint. If removed for winter storage, reinstall any plastic parts before allowing use.
- Rake and check depth of loose fill protective surfacing materials to prevent compaction and maintain appropriate depth. Replace as necessary.
- At the end of the play season or when the temperature drops below 40 degrees Fahrenheit, this unit must be disassembled and stored inside.
- Owners shall be responsible for maintaining the legibility of the warning labels.
- Please read and refer to other warnings and use information in the Swivel See Saw instructions before use.
- Dispose of all packaging materials safely and per local ordinance.

ASSEMBLY WARNINGS

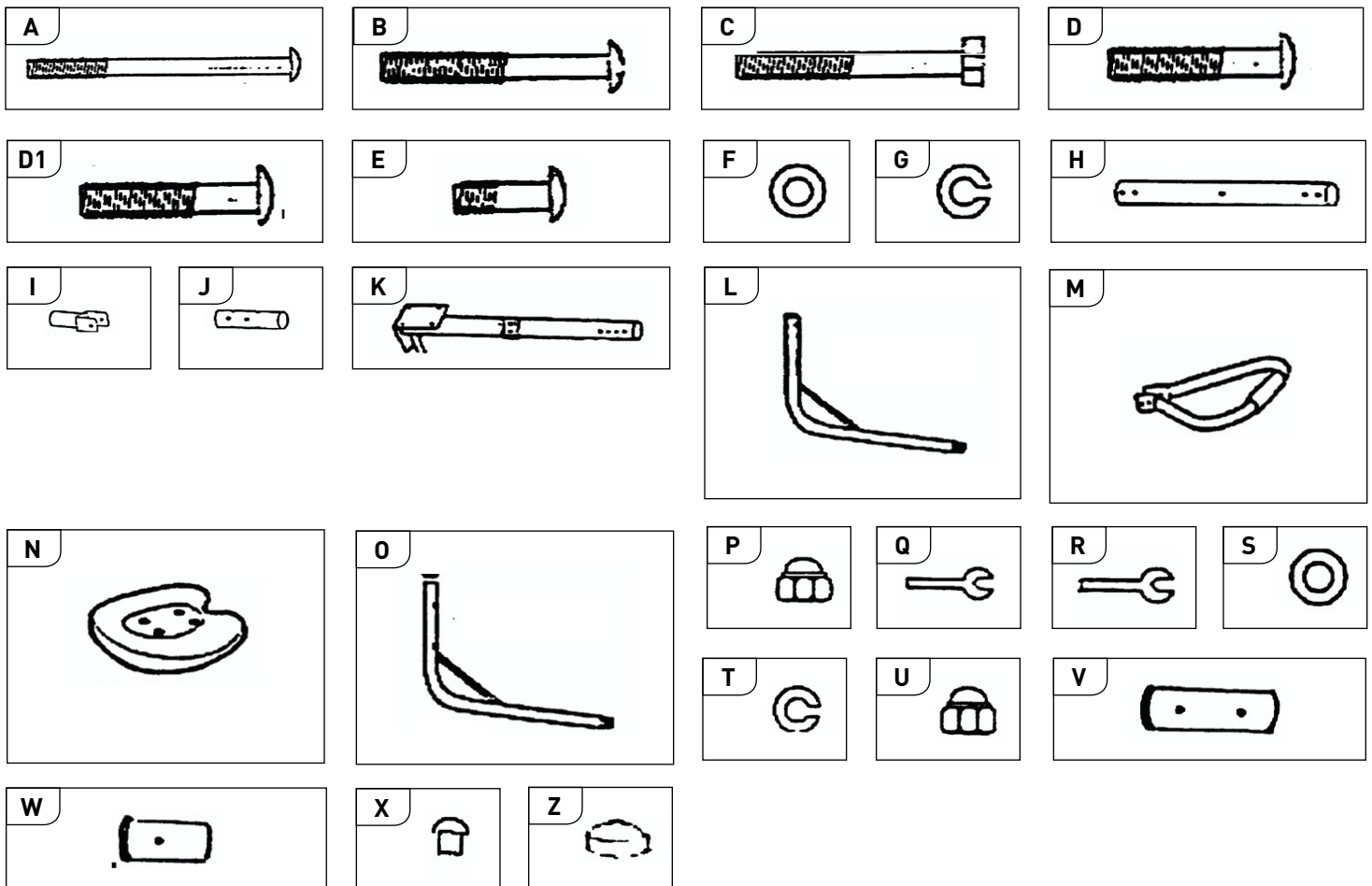
- When you are ready to start, make sure that you have the correct tools at hand, and adequate space for assembly. Please refer to the table for part descriptions and numbers. The assembly instruction uses these descriptions and numbers as reference. Make sure you have all parts listed.
- IMPORTANT: USE GLOVES TO PROTECT AGAINST PINCH POINTS DURING ASSEMBLY.
- Enclosed are the current specifications and product features available at time of printing, however, changes may be made in equipment, availability, specifications and features without notice.
- ALL BOLTS MUST BE TIGHTENED FLUSH TO THE TUBES.
- TO PREVENT INJURY CHILDREN MUST NOT USE THIS EQUIPMENT UNTIL PROPERLY INSTALLED.

EXPLODED VIEW

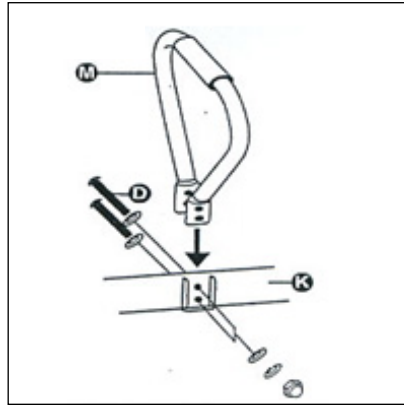
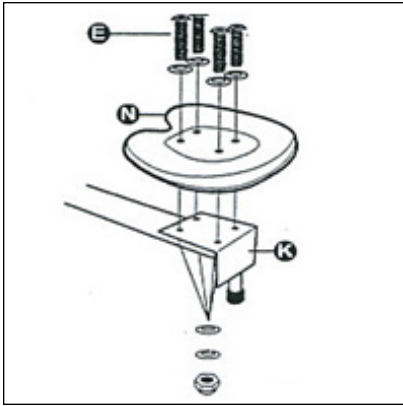


PARTS LIST

Part #	Description	QTY	Part#	Description	QTY
A	M6 110mm Bolt	x4	M	Handle Bars with Foam	x2
B	M6 60mm Bolt	x4	N	Seat	x2
C	M8 70mm bolt	x1	O	Leg	x2
D	M6 45mm Bolt	x4	P	M6 Nut	x22
D1	M6 50mm Bolt	x2	Q	Spanner	x1
E	M6 25mm Bolt	x8	R	Spanner	x1
F	M6 Washer	x44	S	M8 Washer	x2
G	M6 Washer	x22	T	M8 Washer	x1
H	Main Center Bar	x1	U	M8 Nut	x1
I	Upper Support Tube	x1	V	Plastic Tube between K & H	x2
J	Lower Support Tube	x1	W	Small Plastic tube on support Tube	x1
K	Main Side Bar	x2	X	Cap for leg	x8
L	Leg	x2	Z	Cap for Lower Support	x1



ASSEMBLY INSTRUCTIONS



STEP 1:

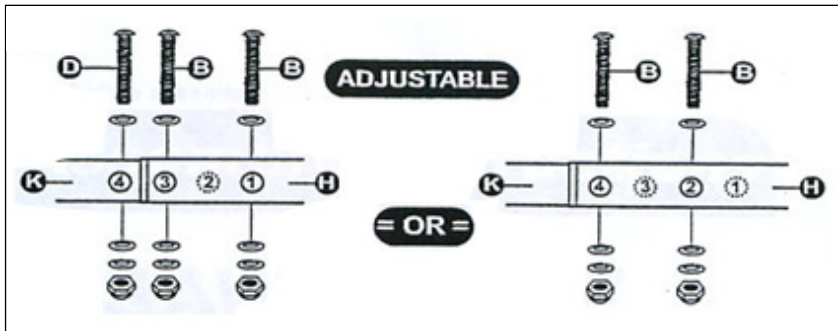
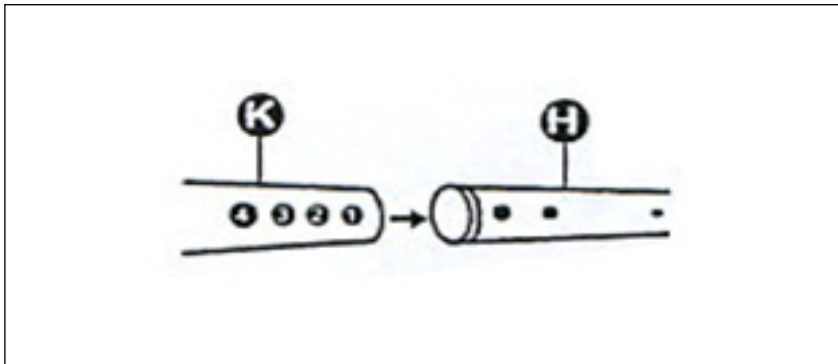
A. Secure a plastic seat (N) onto each end of the Side Bars (K) using 4x M6 25mm Bolts (E), 8x M6 Washers (F), 4x Lock Washers (G), and 4x Nuts (P), as shown in Figure 1.

NOTE:

Make sure that the Lock Washer is resting against each Nut.

B. Affix the a Handlebar (M) to each of the Side Bars (K) using 2x M6 45mm Bolts, 4x M6 Washers (F), 2x Lock Washers (G), and 2x Nuts (P) as shown in Figure 2. Make sure that the Lock Washer is resting against each Nut.

ASSEMBLY INSTRUCTIONS



STEP 2:

A. If not already present, see saw a Small Plastic Tube (V) onto the end of each Side Bar (K) you assembled. Next, see saw the bars into the Main Center Bar (H) as shown in Figure 3.

B. Formation 1 (Extended, below left):
Secure with 2x M6 60mm Bolts (B) 4x M6 Washers (F), 2x Lock washers (G) 1x M6 50mm Bolt (D1), 2x M6 Washers (F), and 1x Lock Washer (G) using the left diagram in Figure 4.

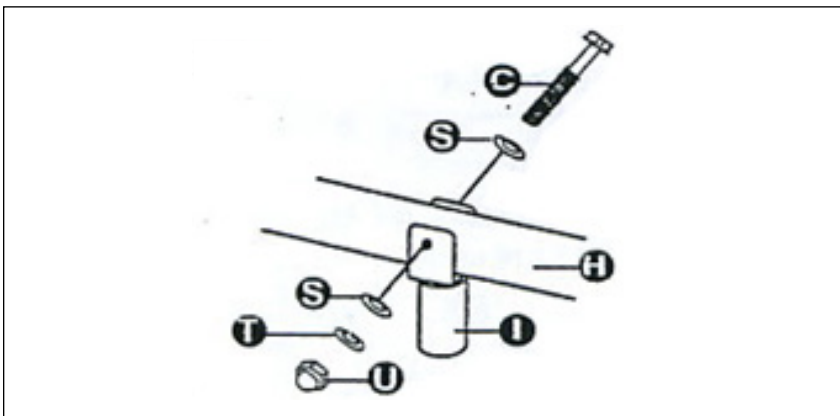
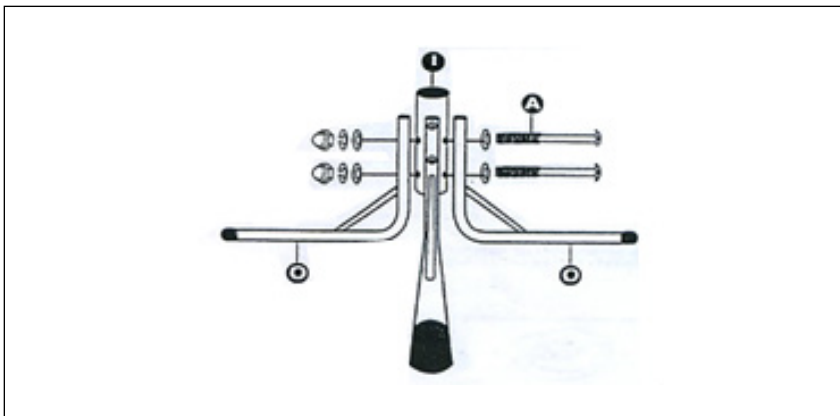
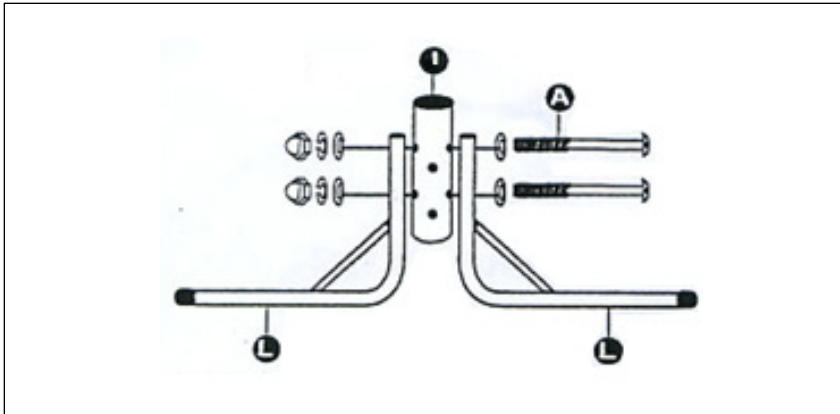
Formation 2 (Standard, below right):
Secure with 2x M6 60mm Bolts (B) 4x M6 Washers (F), 2x Lock washers (G), using the lower right diagram in Figure 4.

It is recommended that you start off with the bars at equal lengths, and adjust only if necessary due to a significant difference in height or weight of the children using this seesaw.

NOTE:

If you do not use the D1 bolts, be certain that you keep these bolts in a safe place in case they are needed in the future.

ASSEMBLY INSTRUCTIONS



STEP 3:

WARNING: To avoid your fingers becoming caught during assembly, you must attach the bolts only as noted below.

A. Attach 2x Seesaw Legs (L) to the Upper Support Tube: Using 2x M6 110mm Bolts, 4x M6 Washers, 4x M6 Lock Washers, and 2x Nuts attach 2 Legs (L) to the Upper Support Tube (I) as shown in the diagram. NOTE: The (L) Legs must go into the upper pair of pre-drilled Bolt Holes in the Support Tube.

B. Attach remaining 2x Seesaw Legs (O) to the Upper Support Tube: Using 2x M6 110mm Bolts, 4x M6 Washers, 4x M6 Lock Washers, and 2x Nuts attach 2 Legs (O) to the Upper Support Tube (I) as shown in the diagram.

NOTE:

The (O) Legs must go into the lower pair of pre-drilled Bolt Holes in the Support Tube.

Ensure that the legs have been assembled correctly and are even at their bases before continuing

STEP 4:

Line up the Upper Support to the Hole in the center of the Main Bar.

Secure the Swivel to the Main Bar using the 70mm Hex Bolt (C), 2x M8 Washers (S), 1x M8 Lock Washer (T), and 1x M8 Nut (U).

ASSEMBLY INSTRUCTIONS

• NOTE:

Do not install home playground equipment over concrete, asphalt, or any other hard surface. A fall onto a hard surface can result in serious injury to the equipment user. Grass and dirt are not considered protective surfacing because wear and environmental factors can reduce their shock absorbing effectiveness. Carpeting and thin mats are generally not adequate protective surfacing. Ground level equipment—such as a sandbox, activity wall, playhouse or other equipment that has no elevated play surface—does not need any protective surfacing.

Loose-Fill Materials

- Maintain a minimum depth of 9 inches of loose-fill materials such as wood mulch/chips, engineered wood fiber (EWF), or shredded/recycled rubber mulch for equipment up to 8 feet high; and 9 inches of sand or pea gravel for equipment up to 5 feet high. NOTE: An initial fill level of 12 inches will compress to about a 9-inch depth of surfacing over time. The surfacing will also compact, displace, and settle, and should be periodically refilled to maintain at least a 9-inch depth.
- Use a minimum of 6 inches of protective surfacing for play equipment less than 4 feet in height. If maintained properly, this should be adequate. (At depths less than 6 inches, the protective material is too easily displaced or compacted.)
- Use containment, such as digging out around the perimeter and/or lining the perimeter with landscape edging. Don't forget to account for water drainage.
- Check and maintain the depth of the loose-fill surfacing material. To maintain the right amount of loose-fill materials, mark the correct level on play equipment support posts. That way you can easily see when to replenish and/or redistribute the surfacing.
- Do not install loose fill surfacing over hard surfaces such as concrete or asphalt.
- Poured-In-Place or Pre-Manufactured Rubber Tiles

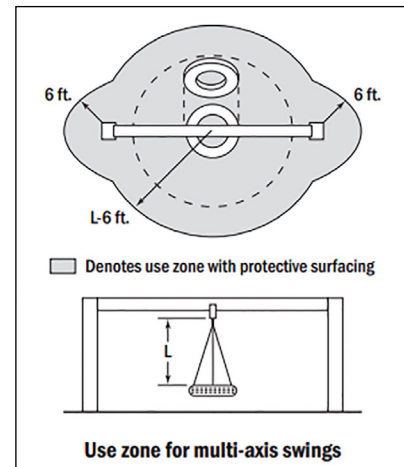
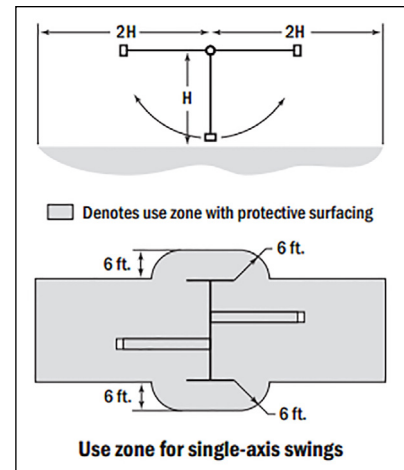
Poured-In-Place or Pre-Manufactured Rubber Tiles

- You may be interested in using surfacing other than loose-fill materials--like rubber tiles or poured in plane surfaces.
- Installations of these surfaces generally require a professional and are not "do it yourself" projects.
- Review surface specifications before purchasing this type of surfacing. Ask the installer/manufacturer for a report showing that the product has been tested to the following safety standard: ASTM F1292 Standard Specification for Impact Attenuation of Surfacing Materials within the Use Zone of Playground Equipment. This report should show the specific height for which the surface is intended to protect against serious head injury. This height should be equal to or greater than the fall height--vertical distance between a designated play surface (elevated surface for standing, sitting, or climbing) and the protective surfacing below--of your play equipment.

- Check the protective surfacing frequently for wear.

Placement

- Proper placement and maintenance of protective surfacing is essential.
- Extend surfacing at least 6 feet from the equipment in all directions.
- For to-fro swings, extend protective surfacing in front of and behind the swing to a distance equal to twice the height of the top bar from which the swing is suspended.
- For tire swings, extend surfacing in a circle whose radius is equal to the height of the suspending chain or rope, plus 6 feet in all directions.



CARE & MAINTENANCE

- **IMPORTANT:** While no regular maintenance is required, you must inspect the see saw before each use and replace any worn, defective, or missing parts. The following conditions could represent potential hazards: Missing, improperly secured or damaged bolts, A bent or broken frame, and/or damaged seats. Cease using see saw immediately and secure it against unauthorized use if any of these conditions are present.
- Regularly check to see if see saw seats, steel tubes, and other parts are tightened and completely secure. Replace worn & damaged parts when if found and if necessary, secure from use until replacement parts can be obtained.
- If the paint is chipped, we recommend you lightly rub the damaged area and cover using a non-toxic enamel paint.
- Your see saw is designed to be very low maintenance.
- If any part of the see saw requires cleaning, simply wipe with a damp cloth.

FREQUENTLY ASKED QUESTIONS

- Question: "How should I clean my see saw?"
Answer: You should clean the See Saw with a solution of warm water and non-corrosive/abrasive soap. Dampen a rag with this solution and wipe completely dry before sing.
- Question: "A seat seems loose, what should I do?"
Answer: Make sure the bolts under the plastic steps are secure.
- Question: "Something was missing from the packaging," "I need to purchase a replacement part" or "I discovered a damaged piece. What should I do?"
Answer: You must report missing pieces within 30 Days from Date Of Purchase. Please be aware that under our limited warranty, for some parts we require a picture of the damaged item and/or return of the item to our quality control office for review.
- Question: "Is there any maintenance I need to do for my see saw?"
Answer: You should always double check to make sure all your bolts are tight and secure, and that the seats are full fully secure.