

WA50R5400AV

SAMSUNG

Samsung Top Load Washer with Super Speed

5.0 cu. ft. Capacity DOE



Signature Features

Super Speed

- Uses advanced cleaning technologies to wash a full load of laundry in just 36 minutes,¹ without sacrificing cleaning performance.

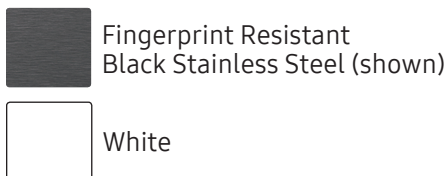
Active WaterJet

- Built-in water faucet lets you easily pretreat heavily soiled and stained clothes with just a press of a button.

EZ Access

- Our new EZ Access tub design allows you to easily reach the bottom of the washer tub to remove your clothes after the cycle finishes.

Available Colors



Active WaterJet



EZ Access

Features

- Super Speed
- Active WaterJet
- EZ Access
- Deep Fill
- Smart Care
- VRT Plus™ Technology
- Swirl+ Tub Design
- Self Clean
- Soft-Close Lid
- 750 RPM Maximum Spin Speed
- Direct Drive Motor
- 12 Preset Washing Cycles
- 8 Additional Washing Options
- 5 Temperature Levels
- LED Display: Ice Blue

Convenience

- Child Lock
- Dispenser Trays: Main Wash, Softener, Bleach
- EZ Drawer Dispenser

Rating



ENERGY STAR®-rated
IMEF = 2.06
IWF = 4.3

¹Based on using Super Speed on a normal cycle with an 8 lb load.

WA50R5400AV

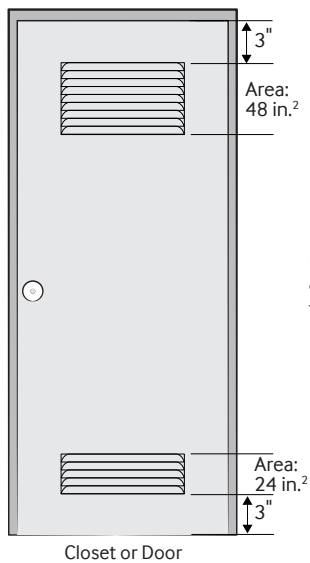
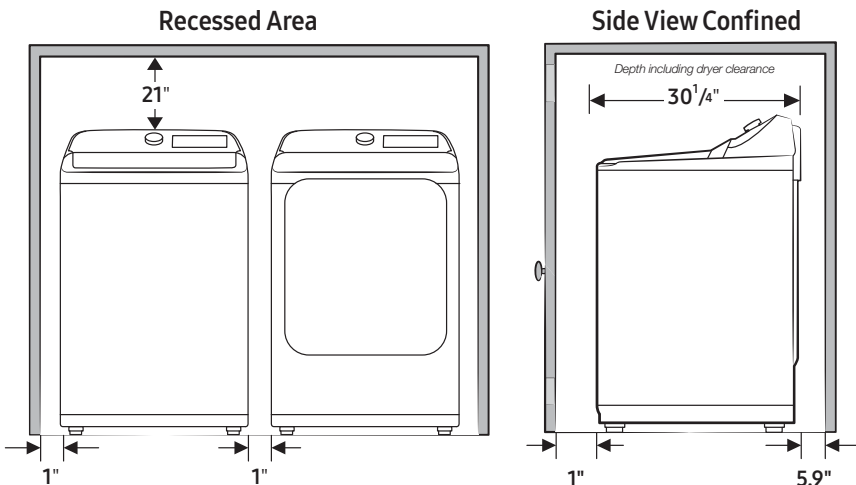
SAMSUNG

Samsung Top Load Washer with Super Speed

5.0 cu. ft. Capacity DOE

Installation Specifications

Alcove or closet installation



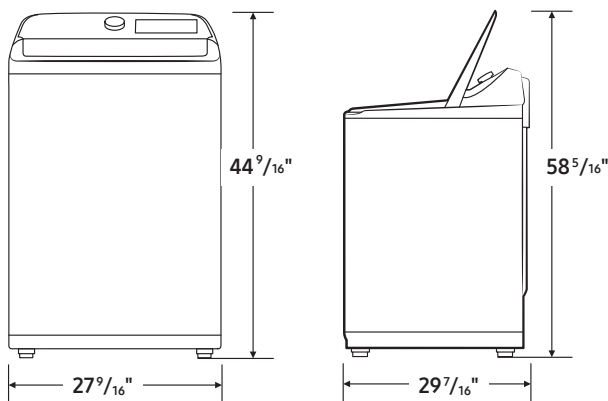
Minimum clearances for closets and alcoves:

Sides – 1"
 Top – 21"
 Area: 48 in.²
 Rear – 5.9"
 Closet Front – 1"

If both the washer and a dryer are installed in the same location, the front of the alcove or closet must have two unobstructed air openings for a combined minimum total area of 72-inch². This clearance requirement is applicable for washers only.

For dryer's clearance requirement, see the dryer's user manual.

Dimensions



12 Preset Washing Cycles:

Normal, Bedding/WaterProof, Heavy Duty, Permanent Press, Darks, Whites, Activewear, Delicates/Hand Wash, Quick Wash, Self Clean, Rinse and Spin, Spin Only

8 Additional Washing Options:

Delay End, Presoak, Alarm Off, Child Lock, Fabric Softener, Deep Fill, Super Speed, Smart Care

5 Temperature Levels:

Hot, Warmer, Warm, Cool, Cold

5 Spin Speeds:

High, Medium High, Medium, Low, No Spin

5 Soil Levels:

Heavy, Medium Heavy, Normal, Medium Low, Light

Dispenser Trays:

Main Wash, Softener, Bleach

Warranty

One (1) Year Parts and Labor
 Three (3) Years Stainless Steel Tub (Part Only)
 Ten (10) Years Direct Drive Motor (Part Only)

Product Dimensions & Weight (WxHxD)

Dimensions: 27⁹/₁₆" x 44⁹/₁₆" x 29⁷/₁₆"
 Weight: 130.1 lbs

Shipping Dimensions & Weight (WxHxD)

Dimensions: 30¹/₈" x 46⁷/₈" x 31¹/₄"
 Weight: 138.9 lbs

Color	Model #	UPC Code
Fingerprint Resistant Black Stainless Steel	WA50R5400AV	887276300535
White	WA50R5400AW	887276300542

Matching Dryer (Electric/Gas)

Fingerprint Resistant Black Stainless Steel	DVE50R5400V	887276300740
White	DVE50R5400W	887276300757
Fingerprint Resistant Black Stainless Steel	DVG50R5400V	887276300771
White	DVG50R5400W	887276300788